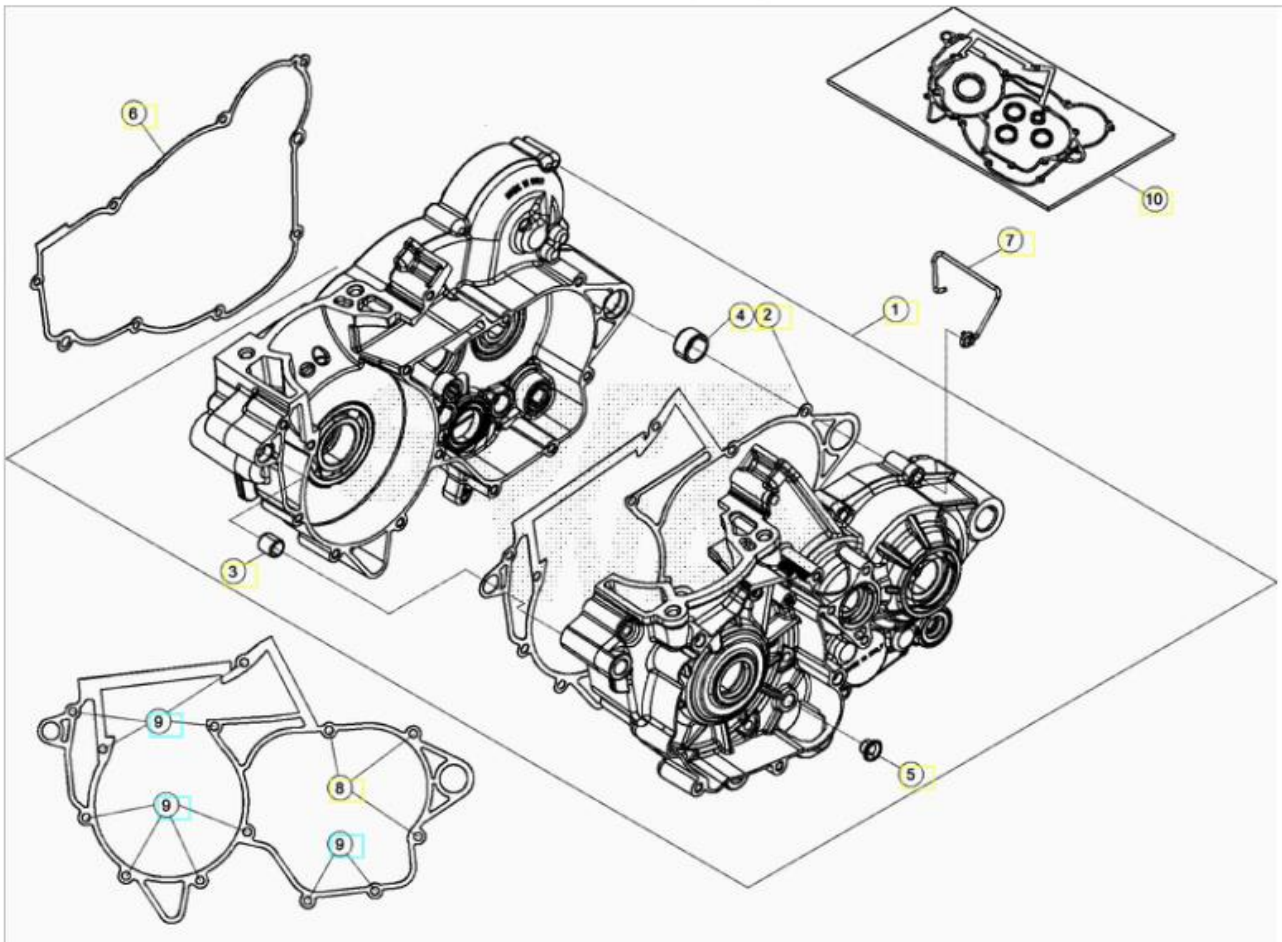


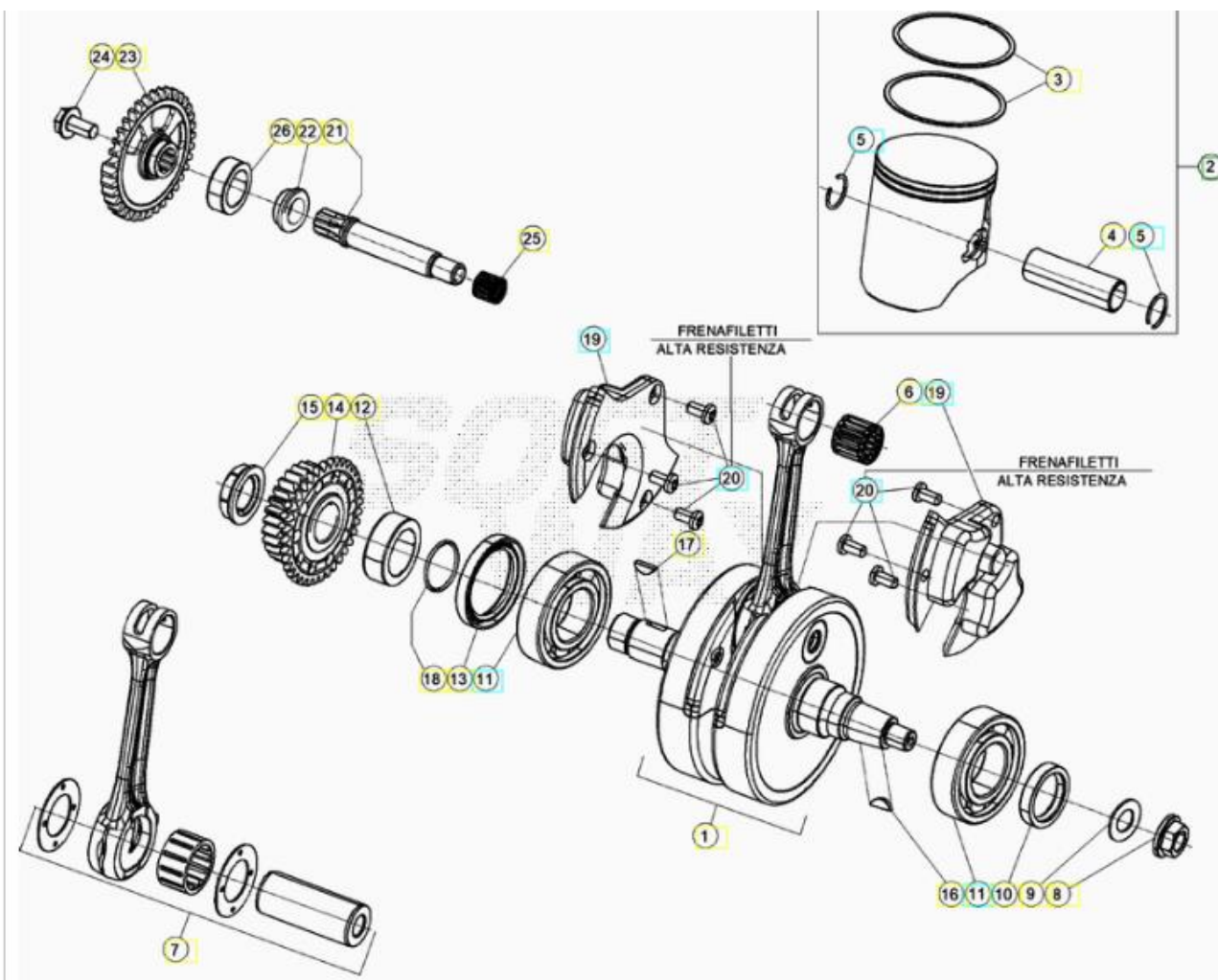
# **MFC** **MOTOCROSS** **CENTER.COM**

BETA XTrainer MY 2022



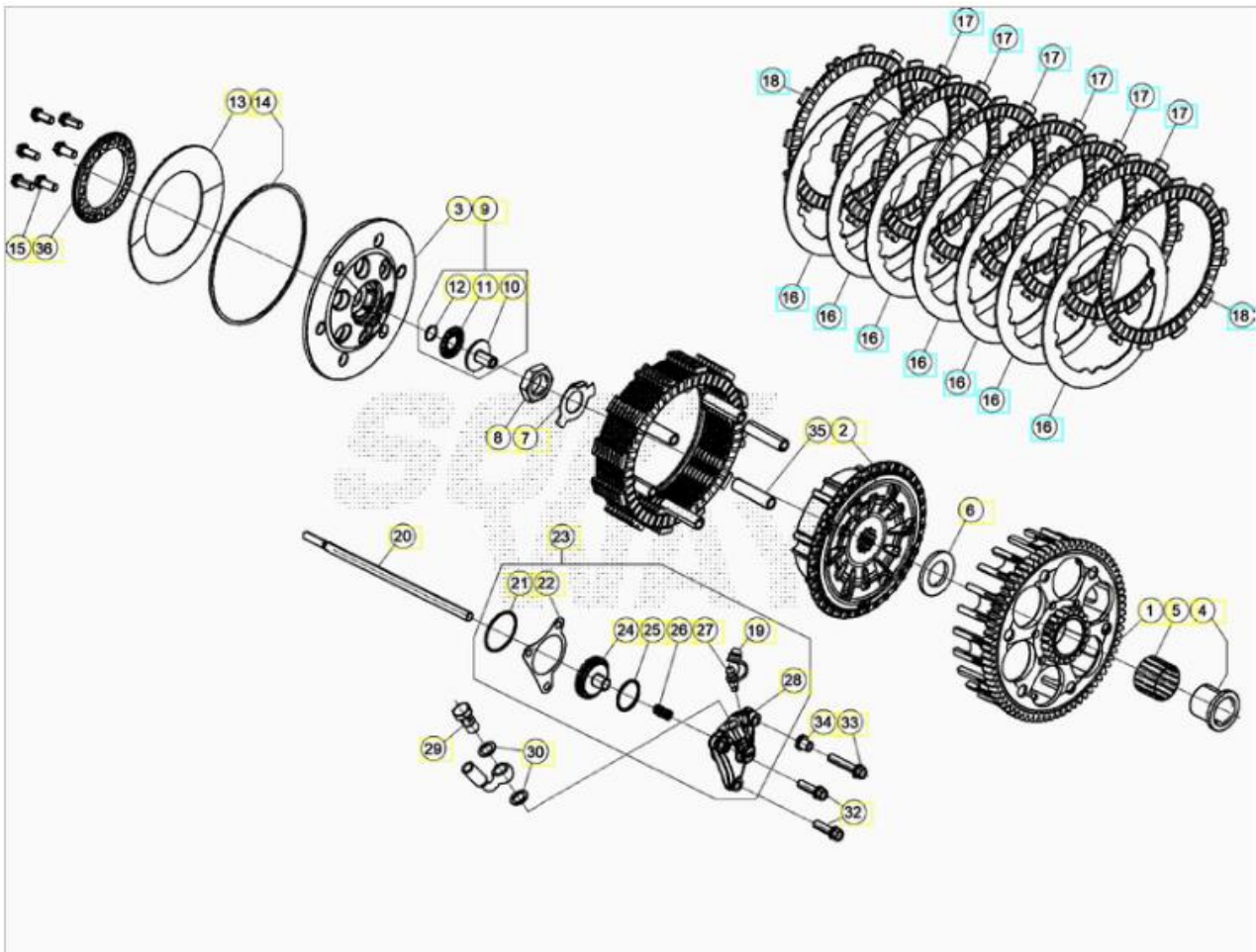


ORDER QTY	REF. NO.	PART NO.	CRANKCASE DESCRIPTION	XTRAINER 300
<input type="checkbox"/>	1	026.010468.000	CRANKCASE	1
<input type="checkbox"/>	2	026.010030.000	CRANKCASE GASKET	1
<input type="checkbox"/>	3	16.41500.000	DOWEL 10,5.13.13	1
<input type="checkbox"/>	4	006.010120.000	BUSH (BACK) 17.21.12	1
<input type="checkbox"/>	5	C03020010000	BUSH 8X10X8	1
<input type="checkbox"/>	6	026.010050.000	GASKET, CLUTCH COVER INNER	1
<input type="checkbox"/>	7	006.010230.000	FAIR LEAD BREATHING TUBE MEM	1
<input type="checkbox"/>	8	11.50360.000	BOLT 6.40 RS CH8	1
<input type="checkbox"/>	9	11.05535.000	BOLT 6.50 RS CH8	3
<input type="checkbox"/>	10	036.010108.200	CRANKCASE GASKET KIT	1



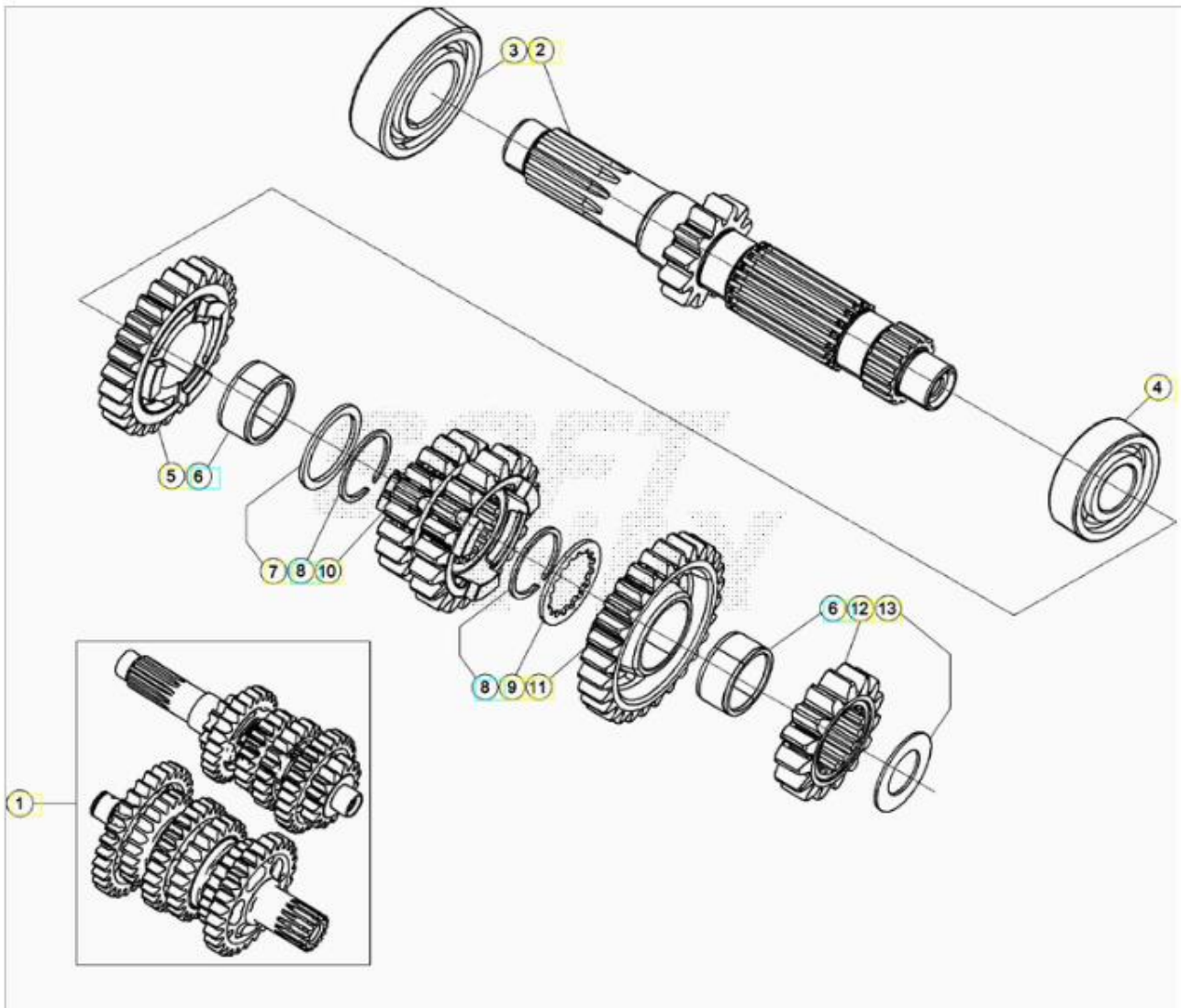
ORDER QTY	REF. NO.	PART NO.	CRANKSHAFT PISTON DESCRIPTION	XTRAINER 300
<input type="checkbox"/>	1	026.020568.000	CRANKSHAFT	1
<input type="checkbox"/>	2	026.020608.00A	ENGINE PISTON D73 . A	1
<input type="checkbox"/>	2	026.020608.00B	ENGINE PISTON D73 . B	1
<input type="checkbox"/>	2	026.020608.00C	ENGINE PISTON D73 . C	1
<input type="checkbox"/>	3	026.020610.000	COMPRESSION RING D73	1
<input type="checkbox"/>	4	026.020230.000	PIN	1
<input type="checkbox"/>	5	10.42600.000	CIRCLIP 18	2
<input type="checkbox"/>	6	16.16710.000	NEEDLE BEARING 18.22.20	1
<input type="checkbox"/>	7	026.020598.000	NO DESCRIPTION	1
<input type="checkbox"/>	8	13.25010.000	NUT, MAGNETO SPECIAL	1
<input type="checkbox"/>	9	27.74810.000	SPRING WASHER DIN137 B12 FST	1
<input type="checkbox"/>	10	C02010410000	OIL SEAL 25X35X7	1
<input type="checkbox"/>	11	C06010350000	BEARING	2
<input type="checkbox"/>	12	026.020090.000	SPACER	1
<input type="checkbox"/>	13	C02010420000	OIL SEAL 38X52X7	1
<input type="checkbox"/>	14	026.030058.000	PINION GEAR Z27	1
<input type="checkbox"/>	15	006.030230.000	NUT M20X1,5LH (PRIMARY GEAR)	1
<input type="checkbox"/>	16	12.46020.000	KEY 3.5	1

<input type="checkbox"/>	17	12.46151.000	WOODRUFF, 4.5	1
<input type="checkbox"/>	18	10.66620.000	OIL SEAL	1
<input type="checkbox"/>	19	026.020480.000	CRANKSHAFT INSERT RR 2T	2
<input type="checkbox"/>	20	C24910020000	SCREW 6.12 TORX	2
<input type="checkbox"/>	21	026.020400.000	BALANCER SHAFT	1
<input type="checkbox"/>	22	026.020420.000	BUSHING	1
<input type="checkbox"/>	23	026.020070.000	BALANCE SHAFT GEAR	1
<input type="checkbox"/>	24	C24310440000	SCREW M8X16 DIN6921	1
<input type="checkbox"/>	25	11.22200.000	NEEDLE BEARING 12.18.12	1
<input type="checkbox"/>	26	12.98000.000	BALL BEARING 20.42.12	1

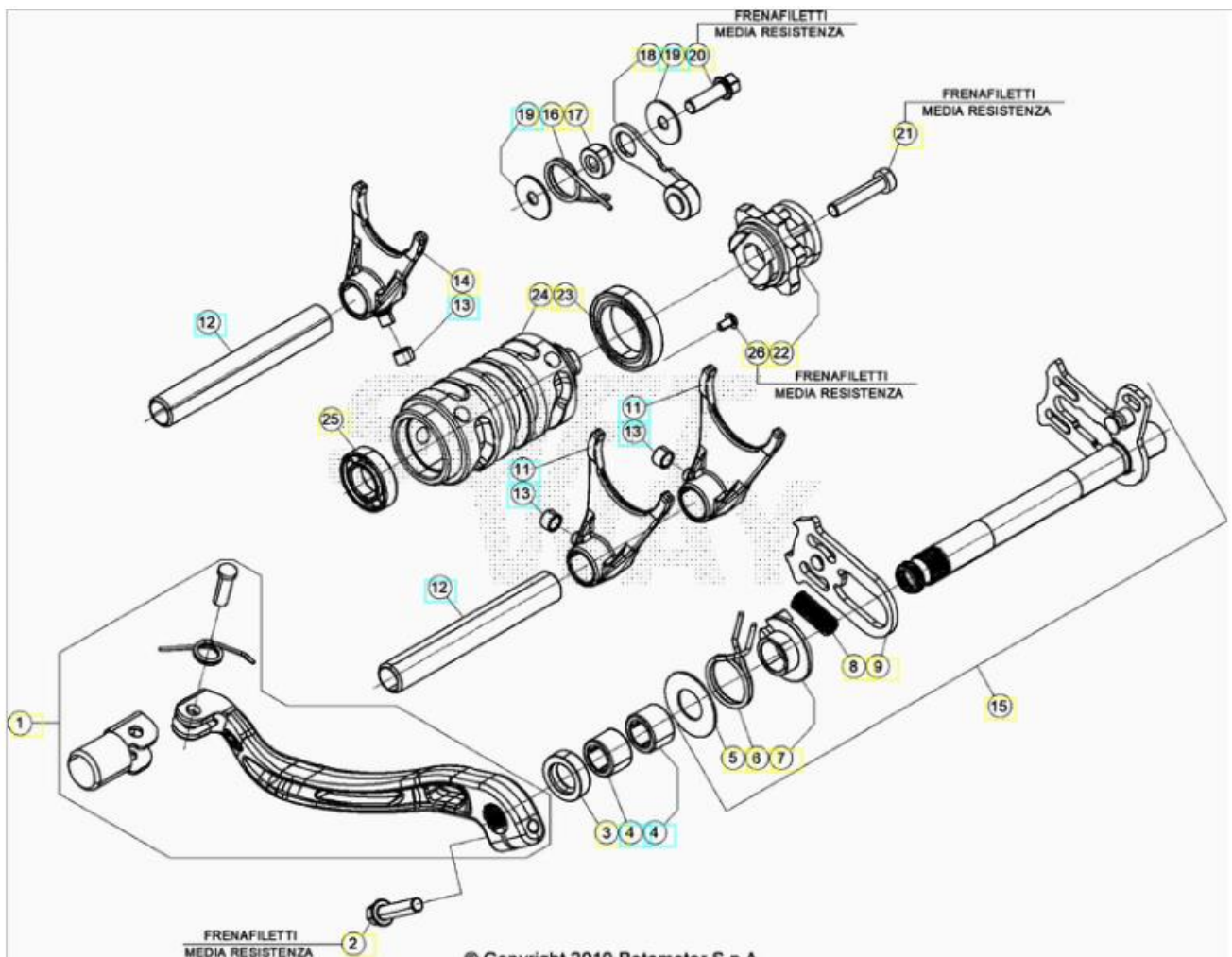


ORDER QTY	REF. NO.	PART NO.	CLUTCH DESCRIPTION	XTRAINER 300
<input type="checkbox"/>	1	037.030000.000	PRIMARY DRIVEN GEARS Z72	1
<input type="checkbox"/>	2	029.031410.000	CLUTCH DRUM	1
<input type="checkbox"/>	3	037.030020.000	PRESSURE PLATE	1
<input type="checkbox"/>	4	026.030610.000	BUSH	1
<input type="checkbox"/>	5	006.030630.000	ROLLER BEARING 26.30.22	1
<input type="checkbox"/>	6	006.030620.000	THRUST WASHER 21,7X38X3	1
<input type="checkbox"/>	7	037.030064.800	WASHER	1
<input type="checkbox"/>	8	006.030650.000	S/ARM SPECIAL NUT 18.1,50	1

<input type="checkbox"/>	9	029.030718.000	CLUTCH COUPLING	1
<input type="checkbox"/>	10	029.030710.000	CLUTCH COUPLING	1
<input type="checkbox"/>	11	16.11370.000	BUSH 15.28.2	1
<input type="checkbox"/>	12	28.23105.000	SEEGER RB14 DIN 7993	1
<input type="checkbox"/>	13	037.030030.000	SPRING WASHER	1
<input type="checkbox"/>	14	037.030040.000	RING 112,5X117,5X1,2	1
<input type="checkbox"/>	15	037.030070.000	SPECIAL BOLT M6X16	1
<input type="checkbox"/>	16	037.030080.000	DRIVEN DISK	7
<input type="checkbox"/>	17	029.030530.000	FIBER PLATE	6
<input type="checkbox"/>	18	029.030540.000	FIBER PLATE	2
<input type="checkbox"/>	19	16.33788.000	CAP	1
<input type="checkbox"/>	20	026.030700.000	CLUTCH FL. DIPSTICK	1
<input type="checkbox"/>	21	10.66840.000	O.RING 33X1,5	1
<input type="checkbox"/>	22	006.030850.000	GASKET CLUTCH SLAVE CYLINDER	1
<input type="checkbox"/>	23	029.030018.000	CLUTCH SLAVE M/C ASSY	1
<input type="checkbox"/>	24	006.032818.000	CLUTCH ACTUATOR PISTON	1
<input type="checkbox"/>	25	10.66520.000	OIL SEAL 23,52.1,78	1
<input type="checkbox"/>	26	006.030830.000	SPRING SLAVE CYLINDER	1
<input type="checkbox"/>	27	28.91050.000	BLEED WITH RUBBER	1
<input type="checkbox"/>	28	029.030010.000	CLUTCH ACTUATOR CYLINDER	1
<input type="checkbox"/>	29	11.65040.000	SPECIAL BOLT	1
<input type="checkbox"/>	30	16.50510.000	GASKET 10.15.1 COPPER	1
<input type="checkbox"/>	32	11.49070.000	BOLT 6.20	1
<input type="checkbox"/>	33	11.50355.000	BOLT 6.35 RS CH8	1
<input type="checkbox"/>	34	13.49190.000	SPACER	1
<input type="checkbox"/>	35	037.030090.000	PIN D10X40,5	1
<input type="checkbox"/>	36	037.030050.000	RING	1

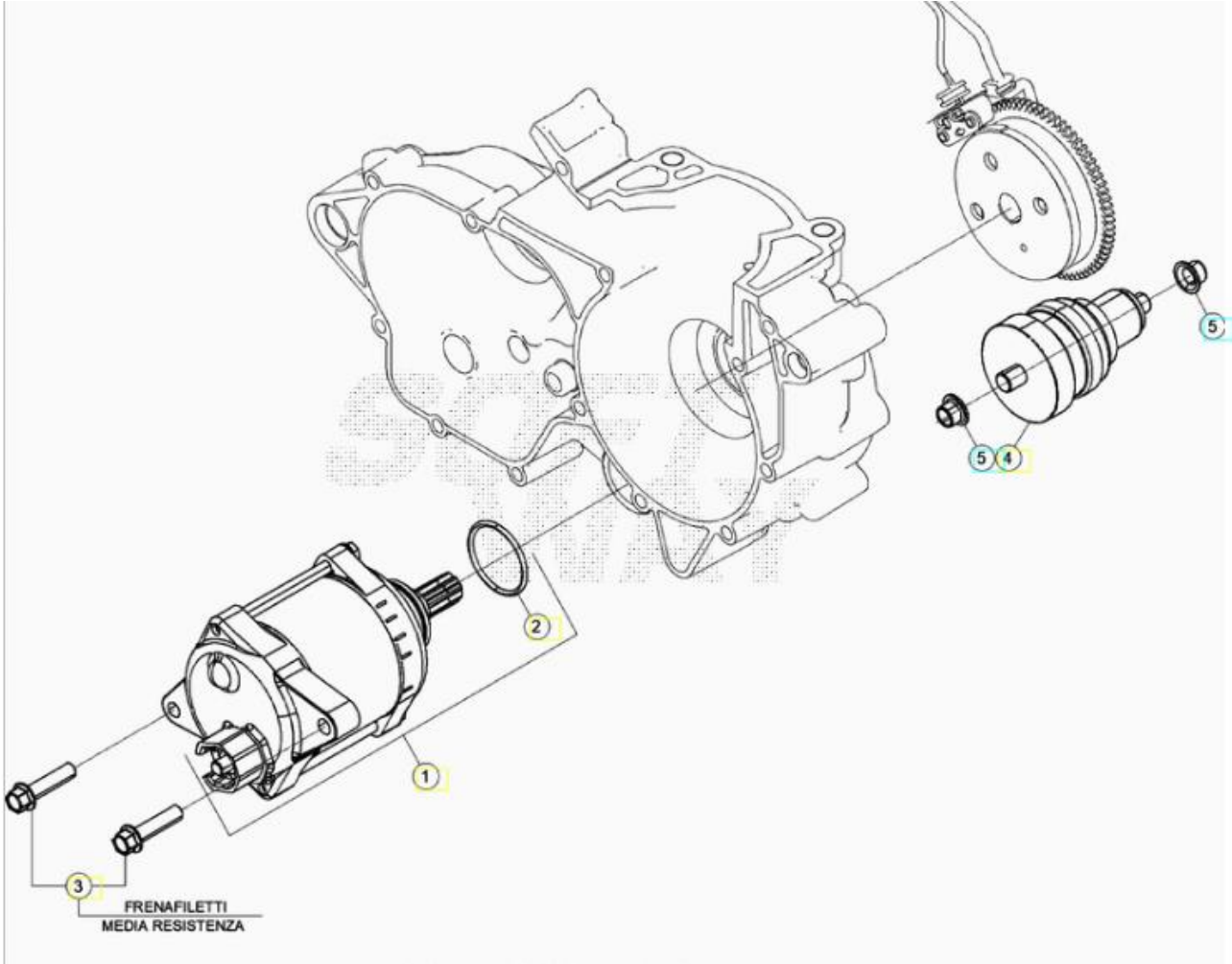


ORDER QTY	REF. NO.	PART NO.	GEARBOX ASSY. DESCRIPTION	XTRAINER 300
<input type="checkbox"/>	1	026.040008.000	GEARBOX ASSY	1
<input type="checkbox"/>	2	026.040100.000	MAINSHAFT WITH BUSH	1
<input type="checkbox"/>	3	12.95610.000	BALL BEARING (6205) C3	1
<input type="checkbox"/>	4	12.95605.000	BALL BEARING (6203) JR2 C3	1
<input type="checkbox"/>	5	006.040150.000	5° GEAR MAINSHAFT	1
<input type="checkbox"/>	6	11.22855.000	NEEDLE BEARING K 22.26.13 TN (SPLIT)	2
<input type="checkbox"/>	7	006.040310.000	THRUST WASHER 26.32.1,5	1
<input type="checkbox"/>	8	28.25520.000	CIRCLIP	2
<input type="checkbox"/>	9	006.040300.000	THRUST WASHER 23.32.1,5	1
<input type="checkbox"/>	10	006.040130.000	3°/4° GEAR MAINSHAFT	1
<input type="checkbox"/>	11	006.040160.000	6° GEAR MAINSHAFT	1
<input type="checkbox"/>	12	006.040120.000	2° GEAR MAINSHAFT	1
<input type="checkbox"/>	13	006.040320.000	THRUST WASHER 17.30.1	1



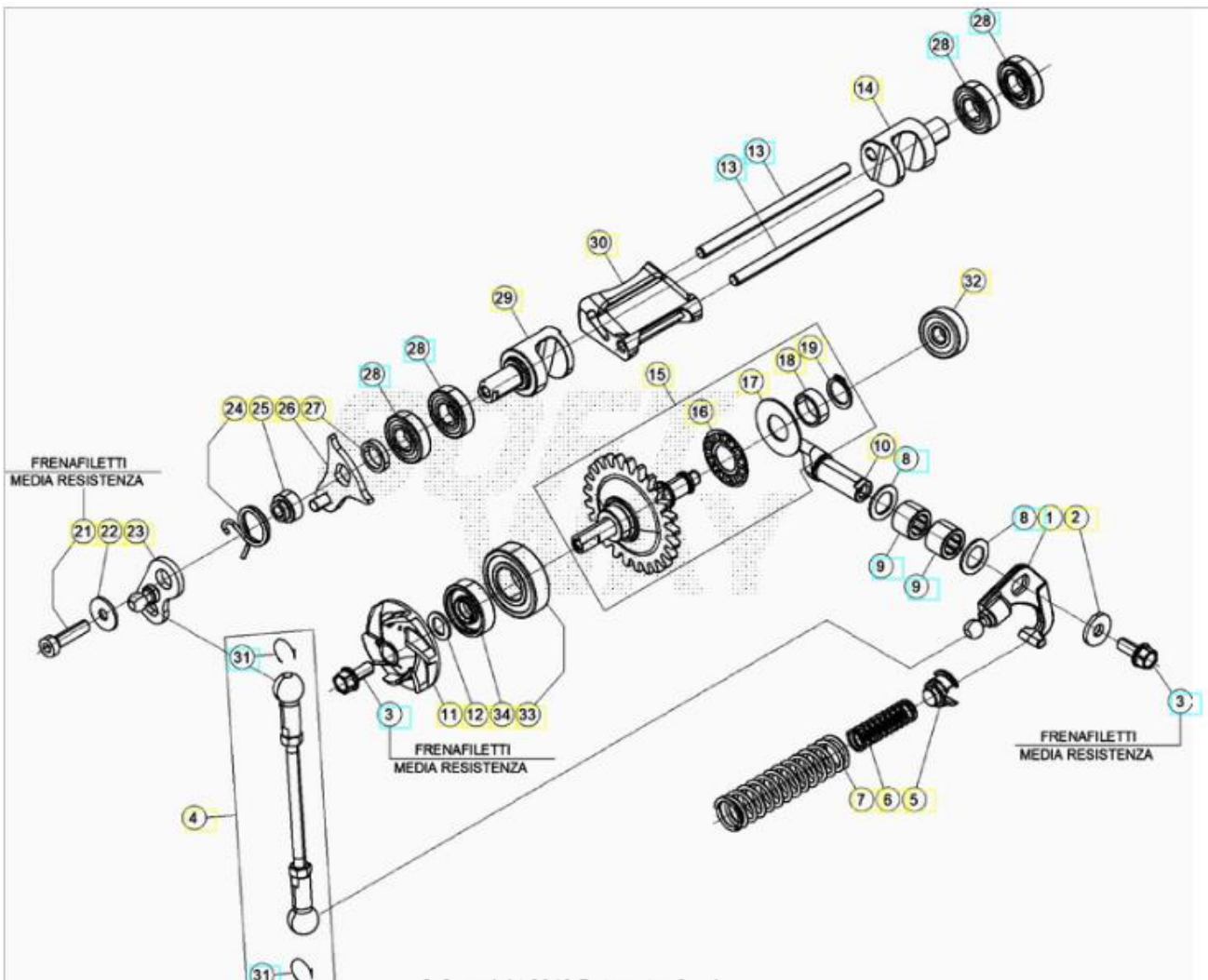
ORDER QTY	REF. NO.	PART NO.	GEAR SHIFT CONTROL DESCRIPTION	XTRAINER 300
<input type="checkbox"/>	1	026.050028.000	GEAR SHIFT LEVER	1
<input type="checkbox"/>	2	11.50010.000	BOLT 6.25	1
<input type="checkbox"/>	3	10.52012.000	OIL SEAL 14.24.6 B1SL	1
<input type="checkbox"/>	4	11.22320.000	NEEDLE BEARING HK1414RS	2
<input type="checkbox"/>	5	27.63020.000	WASHER 14.30.1	1
<input type="checkbox"/>	6	006.050170.000	GEAR BOX RETURN SPRING	1
<input type="checkbox"/>	7	16.92911.000	SPRING GUIDE	1
<input type="checkbox"/>	8	006.050160.000	SHIFT SHAFT CPL.	1
<input type="checkbox"/>	9	006.050148.000	SHIFT SHAFT CPL.	1
<input type="checkbox"/>	11	006.050200.000	FORK 1/4 GEAR	2
<input type="checkbox"/>	12	026.050250.000	SPINDLE FORK	2
<input type="checkbox"/>	13	006.050270.000	BUSHING 6.8.5,2	3
<input type="checkbox"/>	14	006.050210.000	FORK 5/6 GEAR	1
<input type="checkbox"/>	15	026.050108.000	SHIFT SHAFT CPL.	1
<input type="checkbox"/>	16	22.39591.000	LEVER SPRING	1
<input type="checkbox"/>	17	029.050540.000	SPACER	1
<input type="checkbox"/>	18	026.050508.000	LEVER	1
<input type="checkbox"/>	19	27.42000.100	WASHER 6.20.1,0	2

<input type="checkbox"/>	20	11.49070.000	BOLT 6.20	1
<input type="checkbox"/>	21	31.45000.000	SCREW 6.30	1
<input type="checkbox"/>	22	029.050018.000	DETENT CAM	1
<input type="checkbox"/>	23	12.93405.000	BALL BEARING 61805.2RS1	1
<input type="checkbox"/>	24	026.050300.000	GEAR CAM	1
<input type="checkbox"/>	25	12.93840.000	BALL BEARING 15.28.7	1
<input type="checkbox"/>	26	31.30084.000	COUNTERSUNK SCREW M5X8 "TORX 25"	1



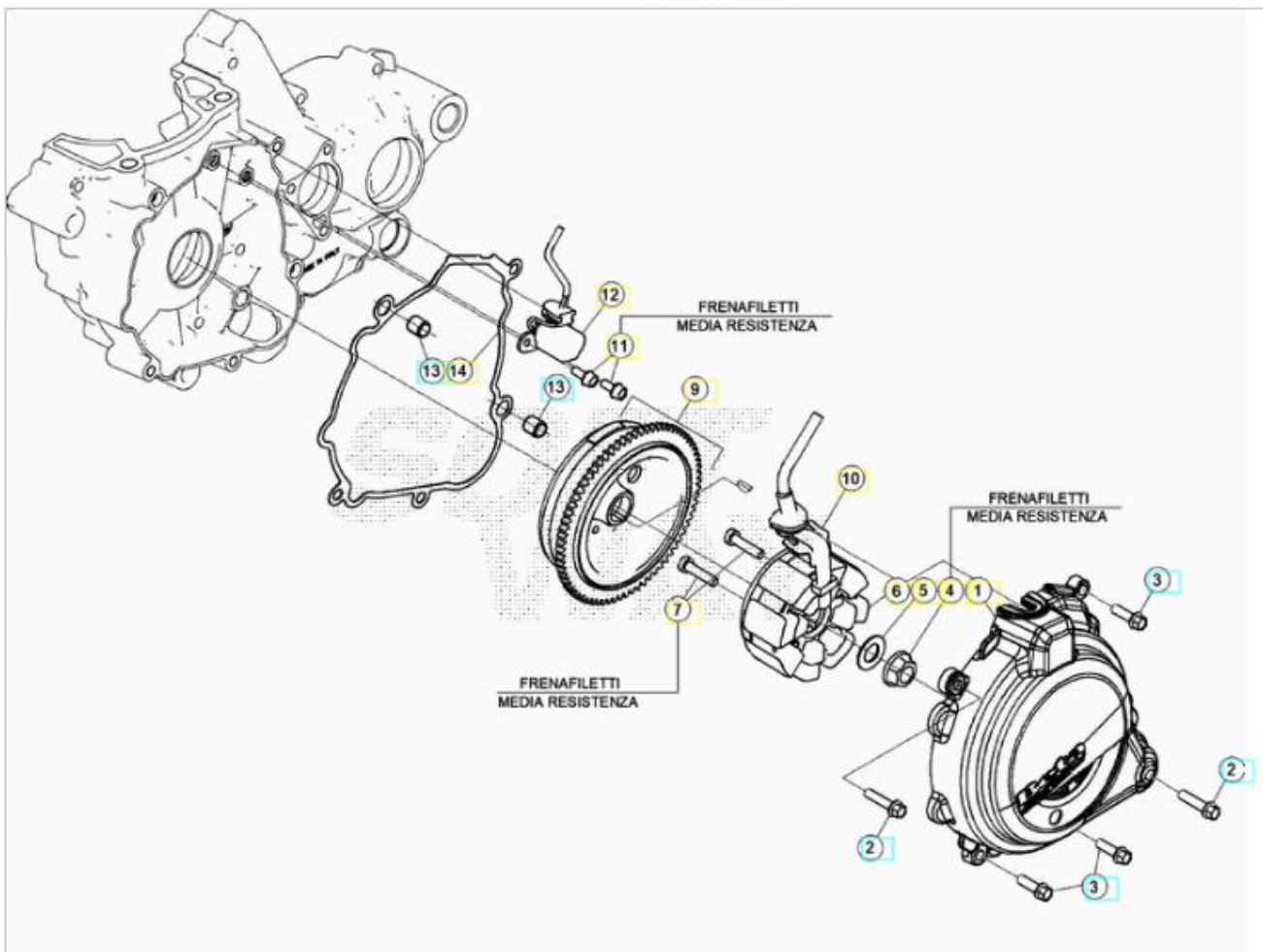
ORDER QTY	REF. NO.	PART NO.	ELECTRIC STARTER DESCRIPTION	XTRAINER 300
<input type="checkbox"/>	1	026.070118.000	E.STARTER	1
<input type="checkbox"/>	2	36.25056.000	O RING 25,00X3,00 NBR70	1
<input type="checkbox"/>	3	11.50010.000	BOLT 6.25	1
<input type="checkbox"/>	4	026.070100.000	CONTACT TAG, BENDIX	1
<input type="checkbox"/>	5	C03020010000	BUSH 8X10X8	2





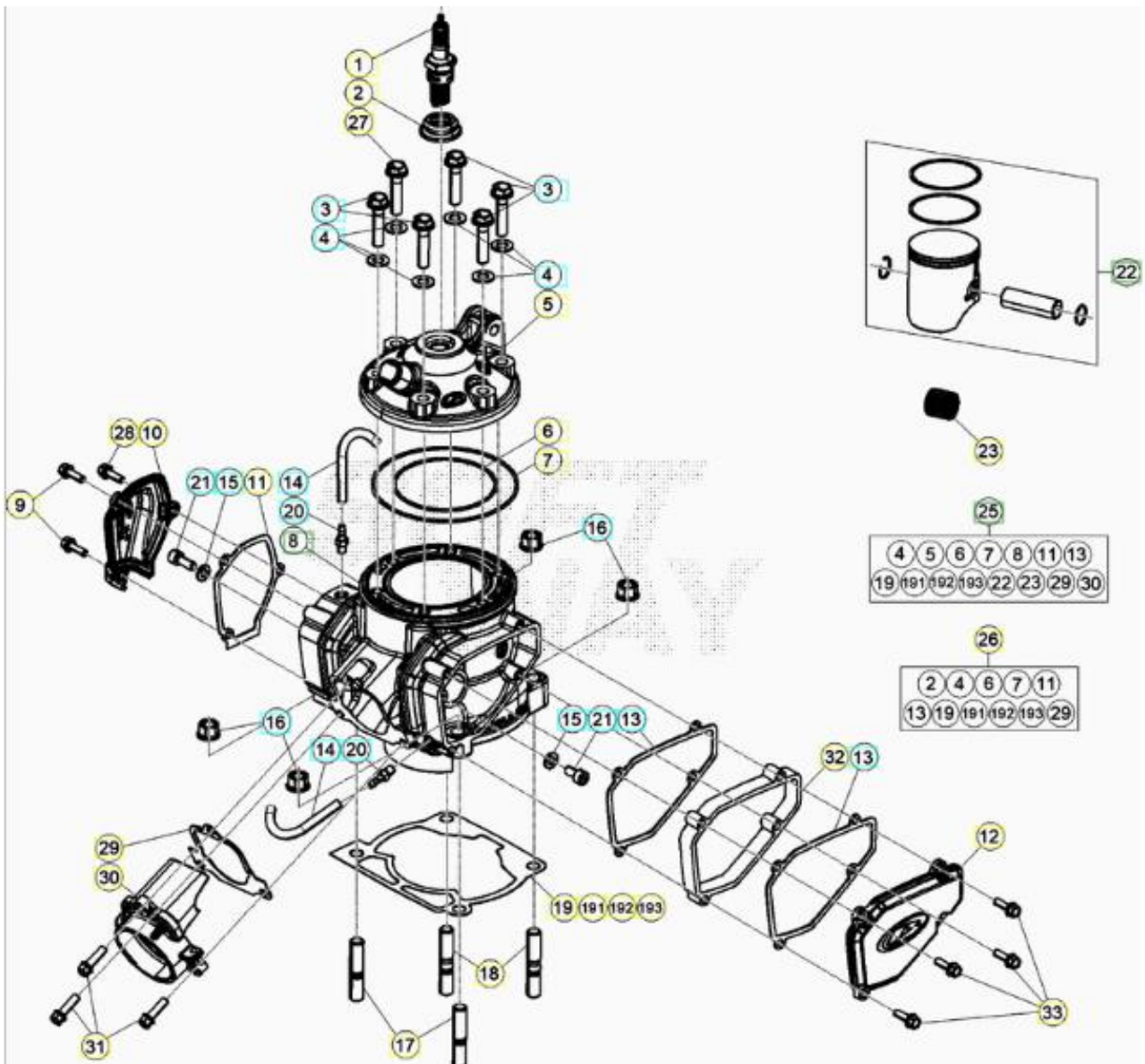
ORDER QTY	REF. NO.	PART NO.	ROCKER ARM ASSY. DESCRIPTION	XTRAINER 300
<input type="checkbox"/>	1	026.090138.000	ROCKER ARM ASSY	1
<input type="checkbox"/>	2	C16020010000	WASHER 5.15.2 DIN 7349	1
<input type="checkbox"/>	3	11.46251.000	BOLT 5,12	2
<input type="checkbox"/>	4	026.090158.000	VALVE CONTROL ROD	1
<input type="checkbox"/>	5	026.090170.000	SPRING GUIDE	1
<input type="checkbox"/>	6	026.090180.000	SPRING	1
<input type="checkbox"/>	7	026.090220.000	ADJUSTING SPRING	1
<input type="checkbox"/>	8	C19040010000	WASHER 16X10X1	2
<input type="checkbox"/>	9	11.22100.000	NEEDLE BEARING 10.14.10	2
<input type="checkbox"/>	10	026.090110.000	CONTROL LEVER	1
<input type="checkbox"/>	11	006.090000.000	IMPELLER WATER PUMP	1
<input type="checkbox"/>	12	006.090120.000	WASHER WATER PUMP	1
<input type="checkbox"/>	13	026.090310.000	EXHAUST VALVE PIN	2
<input type="checkbox"/>	14	026.090400.000	BOOSTER VALVE, LEFT	1
<input type="checkbox"/>	15	026.090058.000	CENTRIFUGAL UNIT	1
<input type="checkbox"/>	16	16.11512.000	AXIAL NEEDLE BEARING 12.26	1
<input type="checkbox"/>	17	27.56400.000	WASHER AS1226	1

<input type="checkbox"/>	18	026.090030.000	SPACER	1
<input type="checkbox"/>	19	28.22760.000	SEEGER A12 DIN 471	1
<input type="checkbox"/>	21	31.30015.000	SCREW 5.20	1
<input type="checkbox"/>	22	27.36500.000	WASHER 5.15	1
<input type="checkbox"/>	23	026.090428.500	OPERATING LEVER	1
<input type="checkbox"/>	24	026.090460.000	SPRING	1
<input type="checkbox"/>	25	026.090440.000	SPACER	1
<input type="checkbox"/>	26	026.090438.500	TRAVEL LIMIT LEVER	1
<input type="checkbox"/>	27	026.090470.000	SPACER	1
<input type="checkbox"/>	28	12.93410.000	BEARING 10.22.6. 2RS1	4
<input type="checkbox"/>	29	026.090410.000	BOOSTER VALVE, RIGHT	1
<input type="checkbox"/>	30	026.090510.000	NO DESCRIPTION	1
<input type="checkbox"/>	31	C21310010000	LOCKING SPRING	2
<input type="checkbox"/>	32	12.93387.000	BALL BEARING 6.19.6	1
<input type="checkbox"/>	33	C06010010000	BEARING 15X32X9	1
<input type="checkbox"/>	34	10.43720.000	OIL SEAL	1



ORDER QTY	REF. NO.	PART NO.	FLYWHEEL W/ COVER DESCRIPTION	XTRAINER 300
<input type="checkbox"/>	1	026.010518.052	FLYWHEEL COVER . COMPLETE RR2T	1

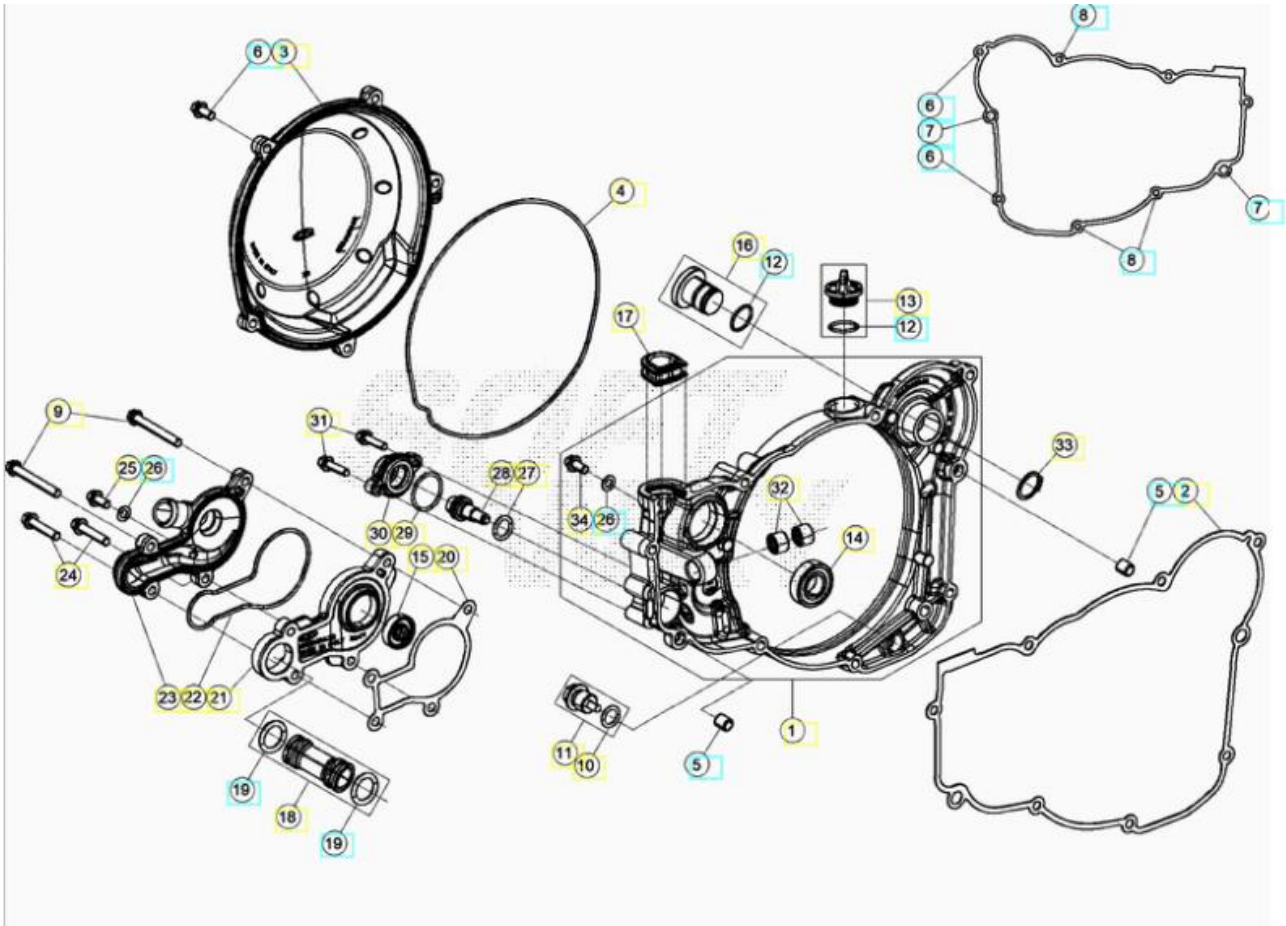
<input type="checkbox"/>	2	11.50010.000	BOLT 6.25	2
<input type="checkbox"/>	3	11.49070.000	BOLT 6.20	2
<input type="checkbox"/>	4	13.25010.000	NUT, MAGNETO SPECIAL	1
<input type="checkbox"/>	5	27.74810.000	SPRING WASHER DIN137 B12 FST	1
<input type="checkbox"/>	6	026.100050.000	GENERATOR	1
<input type="checkbox"/>	7	31.48507.000	SCREW 6.25	1
<input type="checkbox"/>	9	026.100018.500	FLYWHEEL ROTOR	1
<input type="checkbox"/>	10	006.010540.000	CABLE RETAINING PLATE	1
<input type="checkbox"/>	11	11.46251.000	BOLT 5,12	1
<input type="checkbox"/>	12	026.100060.000	PICKUP	1
<input type="checkbox"/>	13	16.36500.000	DOWEL 9.10	2
<input type="checkbox"/>	14	026.010530.000	GASKET, IGNITION COVER	1



ORDER QTY	REF. NO.	PART NO.	CYLINDER ASSY DESCRIPTION	XTRAINER 300
<input type="checkbox"/>	1	036.110010.000	SPARK PLUG, GR7CI8	1

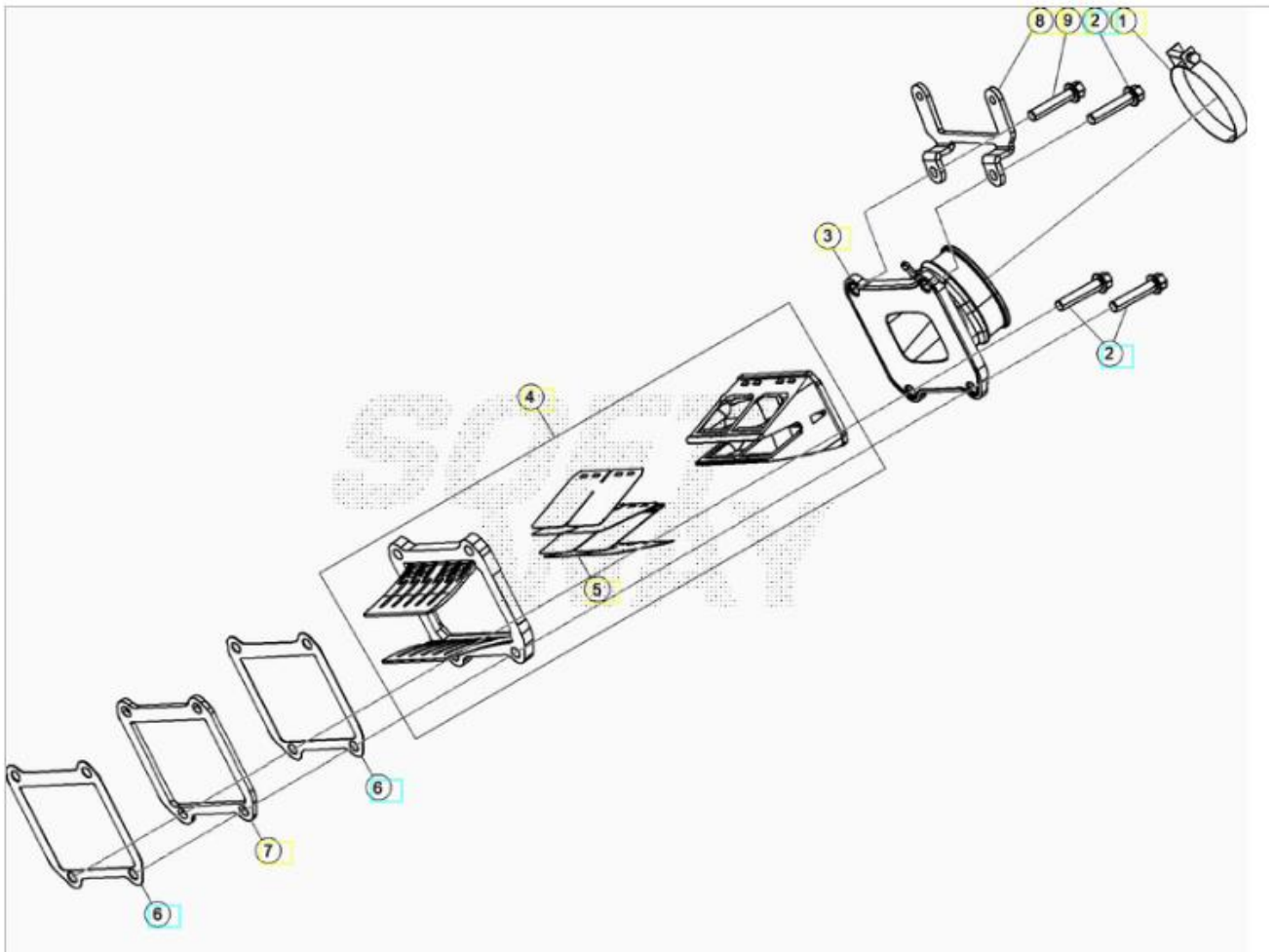
	2	026.100120.000	SPARK PLUG GASKET	2
	3	026.110110.000	FLANGE BOLT 8X35	2
	4	026.110100.000	WASHER 8.16.1	4
	5	026.111068.052	CYLINDER HEAD, 250CC	1
	5	036.110138.052	NO DESCRIPTION	1
	6	10.66972.000	OIL SEAL 73.2 VITON	2
	6	10.66973.000	OIL SEAL 78.2 VITON	1
	7	10.66978.000	OIL SEAL 105.2 VITON	3
	8	026.110290.00A	CYLINDER, 250CC	1
	8	026.110510.00A	NO DESCRIPTION	1
	8	026.110510.00B	NO DESCRIPTION	1
	9	11.46360.000	BOLT 5,16	1
	10	026.110520.000	COVER	1
	11	026.110030.000	RIGHT VALVE COVER GASKET	2
	11	026.110530.000	NO DESCRIPTION	1
	12	026.110040.052	LEFT VALVE HEAD COVER	1
	13	026.110050.000	LEFT VALVE COVER GASKET	4
	14	026.110120.000	TUBE	2
	15	27.40500.000	WASHER 6.12.1,6 DIN 125	2
	16	13.20210.000	NUT, 10.1,25	2
	17	C24760030000	STUD M10X28X1,25	1
	18	C24760040000	STUD M10X33X1,25	1
	19	026.110250.000	CYL BASE GASKET . .3MM	3
	20	29.00280.000	PLUG FOR HEAD RS 4T USA	2
	21	31.31050.000	SCREW 6.15	2
	22	026.020268.00A	PISTON KIT 250CC, A	1
	22	026.020608.00A	ENGINE PISTON D73 . A	1
	22	026.020608.00B	ENGINE PISTON D73 . B	1
	22	026.020608.00C	ENGINE PISTON D73 . C	1
	23	16.16710.000	NEEDLE BEARING 18.22.20	2
	25	036.110158.20A	NO DESCRIPTION	1
	25	036.110158.20B	NO DESCRIPTION	1
	26	026.110408.200	GASKET KIT	1
	27	026.110370.000	TAB SCREW	1
	28	026.110360.000	TAB SCREW	1
	29	026.110390.000	FLANGE GASKET	2
	30	026.110320.000	EXHAUST FLANGE	2

<input type="checkbox"/>	31	11.49070.000	BOLT 6.20	1
<input type="checkbox"/>	32	036.110072.000	POWER VALVE COVER SPACER	1
<input type="checkbox"/>	33	C24310420000	FLANGE BOLT 5X25	1
<input type="checkbox"/>	191	026.110260.000	CYL BASE GASKET .4MM	3
<input type="checkbox"/>	192	026.110270.000	CYL BASE GASKET .5MM	3
<input type="checkbox"/>	193	026.110280.000	CYL BASE GASKET .6MM	2
<input type="checkbox"/>	193	026.110270.000	CYL BASE GASKET .5MM	1

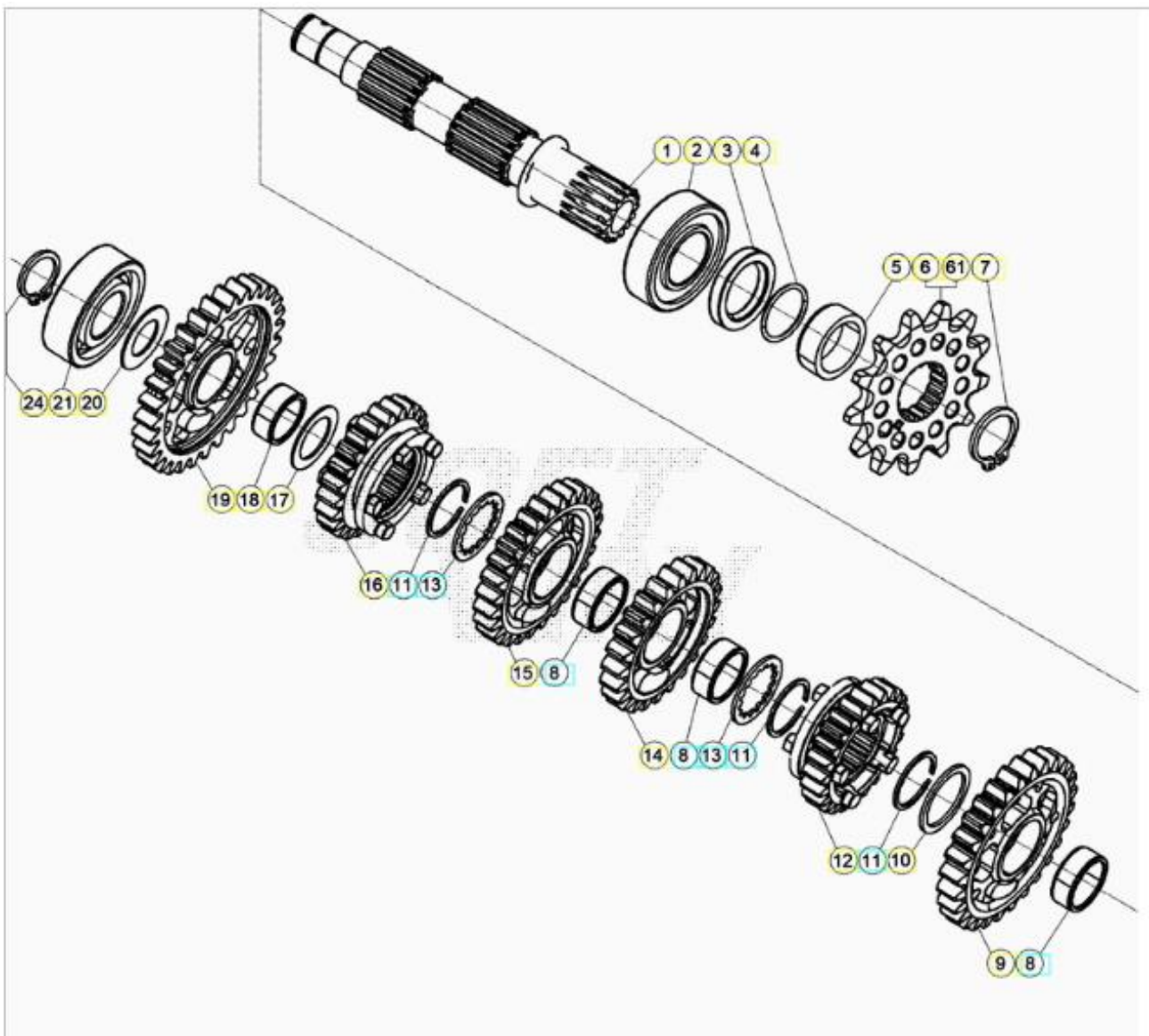


ORDER QTY	REF. NO.	PART NO.	CLUTCH COVER DESCRIPTION	XTRAINER 300
<input type="checkbox"/>	1	026.010298.052	CLUTCH COVER	1
<input type="checkbox"/>	2	026.010050.000	GASKET, CLUTCH COVER INNER	1
<input type="checkbox"/>	3	026.010188.052	OUTER CLUTCH COVER	1
<input type="checkbox"/>	4	026.010410.000	OUTER CLUTCH COVER GASKET (SPECIAL	1
<input type="checkbox"/>	5	16.36500.000	DOWEL 9.10	2
<input type="checkbox"/>	6	11.49070.000	BOLT 6.20	3
<input type="checkbox"/>	7	11.50300.000	BOLT 6.30 RS CH8	2
<input type="checkbox"/>	8	11.05535.000	BOLT 6.50 RS CH8	2
<input type="checkbox"/>	9	11.05485.000	BOLT 6.60	1
<input type="checkbox"/>	10	10.66164.000	O.RING, 11.2 NBR 70SH	1
<input type="checkbox"/>	11	006.081528.000	MAGNET SCREW M14X1,5	1
<input type="checkbox"/>	12	10.66321.000	OIL SEAL	2

<input type="checkbox"/>	13	026.010198.059	OIL FILLER CAP	1
<input type="checkbox"/>	14	C06010010000	BEARING 15X32X9	1
<input type="checkbox"/>	15	10.43720.000	OIL SEAL	1
<input type="checkbox"/>	16	037.010178.059	CAP	1
<input type="checkbox"/>	17	026.010318.000	SEALING EXHAUST VALVE COVER	1
<input type="checkbox"/>	18	026.010378.000	WATER PIPE, COMPLETE	1
<input type="checkbox"/>	19	C02060520000	O.RING 17.96X2.62	2
<input type="checkbox"/>	20	026.010360.000	GASKET, WATERPUMP BODY	1
<input type="checkbox"/>	21	026.010340.000	WATERPUMP BODY	1
<input type="checkbox"/>	22	026.010350.000	GASKET, WATER PUMP	1
<input type="checkbox"/>	23	026.010330.000	WATER PUMP COVER	1
<input type="checkbox"/>	24	11.50300.000	BOLT 6.30 RS CH8	1
<input type="checkbox"/>	25	11.47015.000	BOLT 6.12 RS CH8	2
<input type="checkbox"/>	26	27.40495.000	WASHER 6.11.0,8	2
<input type="checkbox"/>	27	10.66296.000	O.RING 12,37,2,62 NBR70	1
<input type="checkbox"/>	28	026.090234.200	ADJUSTABLE SPRING GUIDE	1
<input type="checkbox"/>	29	10.66540.000	O.RING 24.2 NBR70	1
<input type="checkbox"/>	30	026.090250.000	COVER	1
<input type="checkbox"/>	31	11.46401.000	BOLT 5.20 RS CH8	1
<input type="checkbox"/>	32	11.22100.000	NEEDLE BEARING 10.14.10	1
<input type="checkbox"/>	33	33.00070.000	SEEGER D.19	1



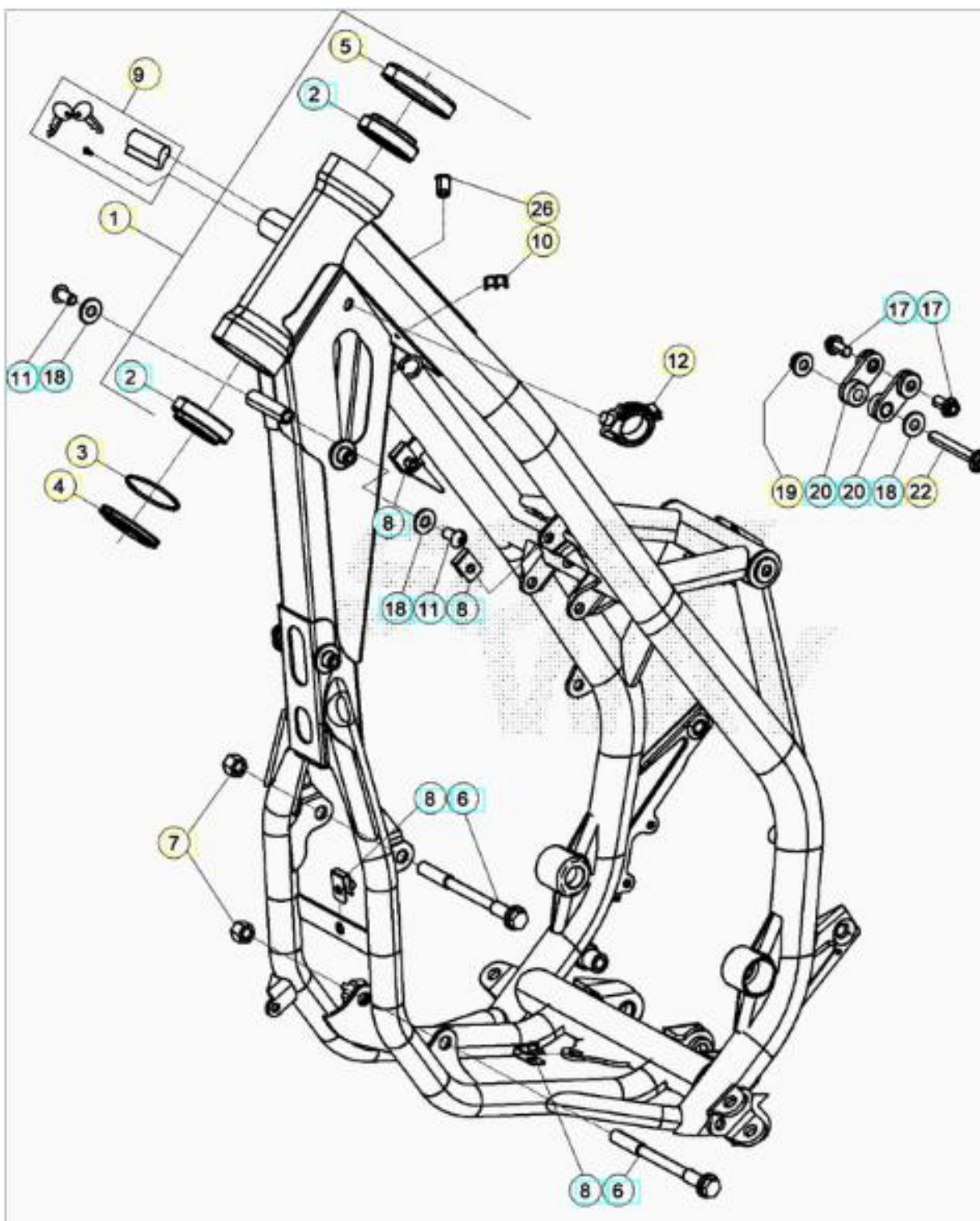
ORDER QTY	REF. NO.	PART NO.	REED VALVE DESCRIPTION	XTRAINER 300
<input type="checkbox"/>	1	15.14275.000	CLAMP, 52/12	1
<input type="checkbox"/>	2	11.50300.000	BOLT 6.30 RS CH8	2
<input type="checkbox"/>	3	036.010058.000	INLET DUCT	1
<input type="checkbox"/>	4	026.010078.000	REED VALVE	1
<input type="checkbox"/>	5	026.010090.000	REED KIT	1
<input type="checkbox"/>	6	026.010100.000	VALVE GASKET	2
<input type="checkbox"/>	7	026.010084.252	REED VALVE SPACER	1
<input type="checkbox"/>	8	036.010093.200	COIL BRACKET	1
<input type="checkbox"/>	9	026.110340.000	TAB SCREW	1



ORDER QTY	REF. NO.	PART NO.	COUNTERSHAFT DESCRIPTION	XTRAINER 300
<input type="checkbox"/>	1	026.040200.000	COUNTERSHAFT	1
<input type="checkbox"/>	2	12.99710.000	ROLLER BEARING NJ205	1
<input type="checkbox"/>	3	10.66020.000	OIL SEAL 32.45.7 BSL	1
<input type="checkbox"/>	4	10.66540.000	O.RING 24.2 NBR70	1
<input type="checkbox"/>	5	006.040400.000	DISTANCE BUSH	1
<input type="checkbox"/>	6	006.040510.000	FR. SPROCKET 14T, RR/RS	1
<input type="checkbox"/>	7	28.25530.000	SEEGER AS 25X2 DIN 471	1
<input type="checkbox"/>	8	11.22845.000	NEEDLE BEARING K 20.24.10 (SPLITTED	3
<input type="checkbox"/>	9	006.040220.000	2° GEAR COUNTERSHAFT	1
<input type="checkbox"/>	10	006.040310.000	THRUST WASHER 26.32.1,5	1
<input type="checkbox"/>	11	28.25520.000	CIRCLIP	3
<input type="checkbox"/>	12	006.040260.000	6° GEAR COUNTERSHAFT	1
<input type="checkbox"/>	13	006.040300.000	THRUST WASHER 23.32.1,5	2
<input type="checkbox"/>	14	006.040240.000	4° GEAR COUNTERSHAFT	1
<input type="checkbox"/>	15	006.040230.000	3° GEAR COUNTERSHAFT	1

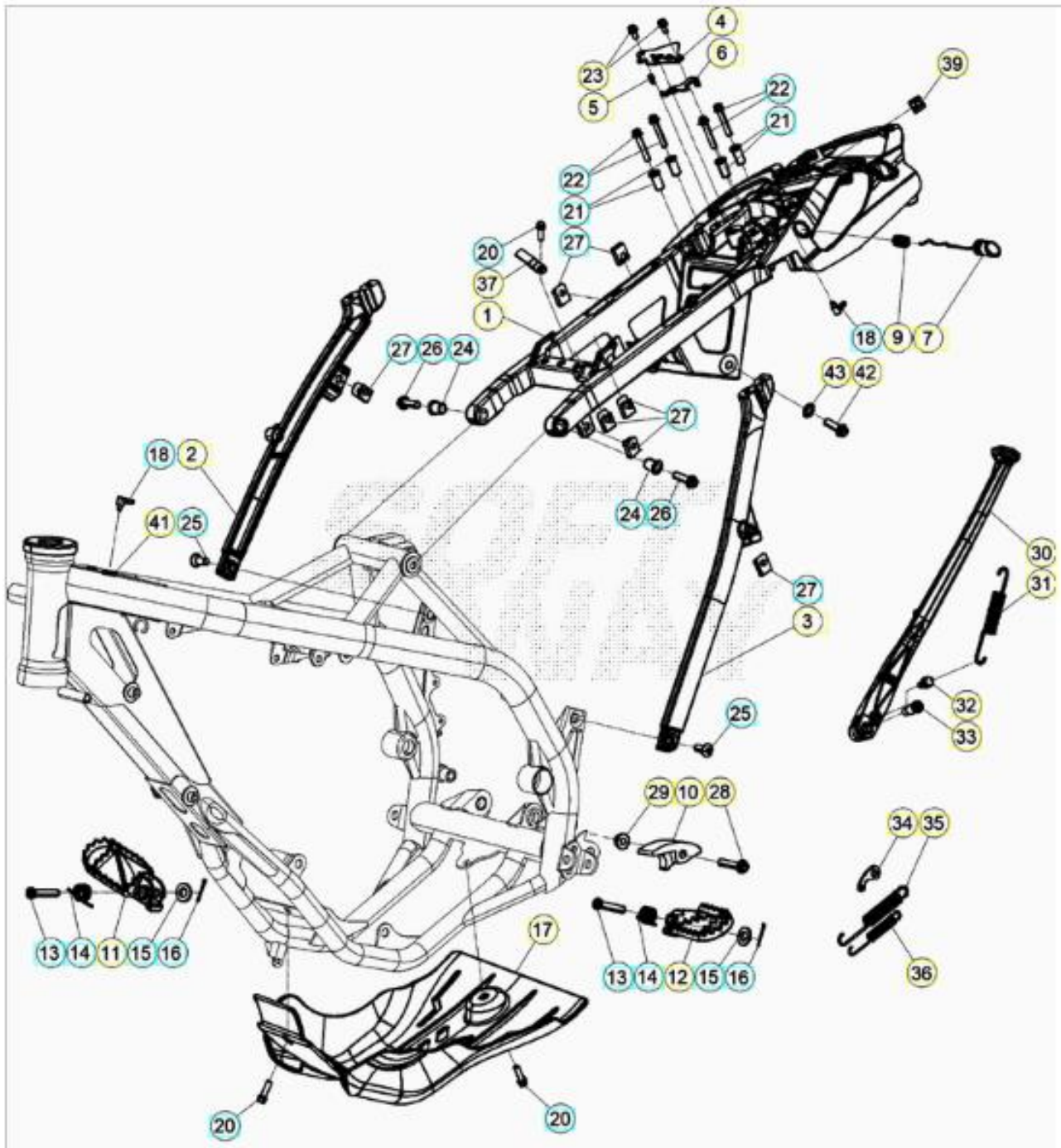


	16	006.040250.000	5° GEAR COUNTERSHAFT	1
	17	006.040330.000	THRUST WASHER 20.30.1	1
	18	11.22835.000	NEEDLE BEARING K 20.24.10	1
	19	006.040210.000	1° GEAR COUNTERSHAFT	1
	20	006.040320.000	THRUST WASHER 17.30.1	1
	21	12.95605.000	BALL BEARING (6203) JR2 C3	1
	24	C01230010000	CHECK RING 17X1	1
	61	006.040520.000	FR. SPROCKET 15T, RR/RS	1



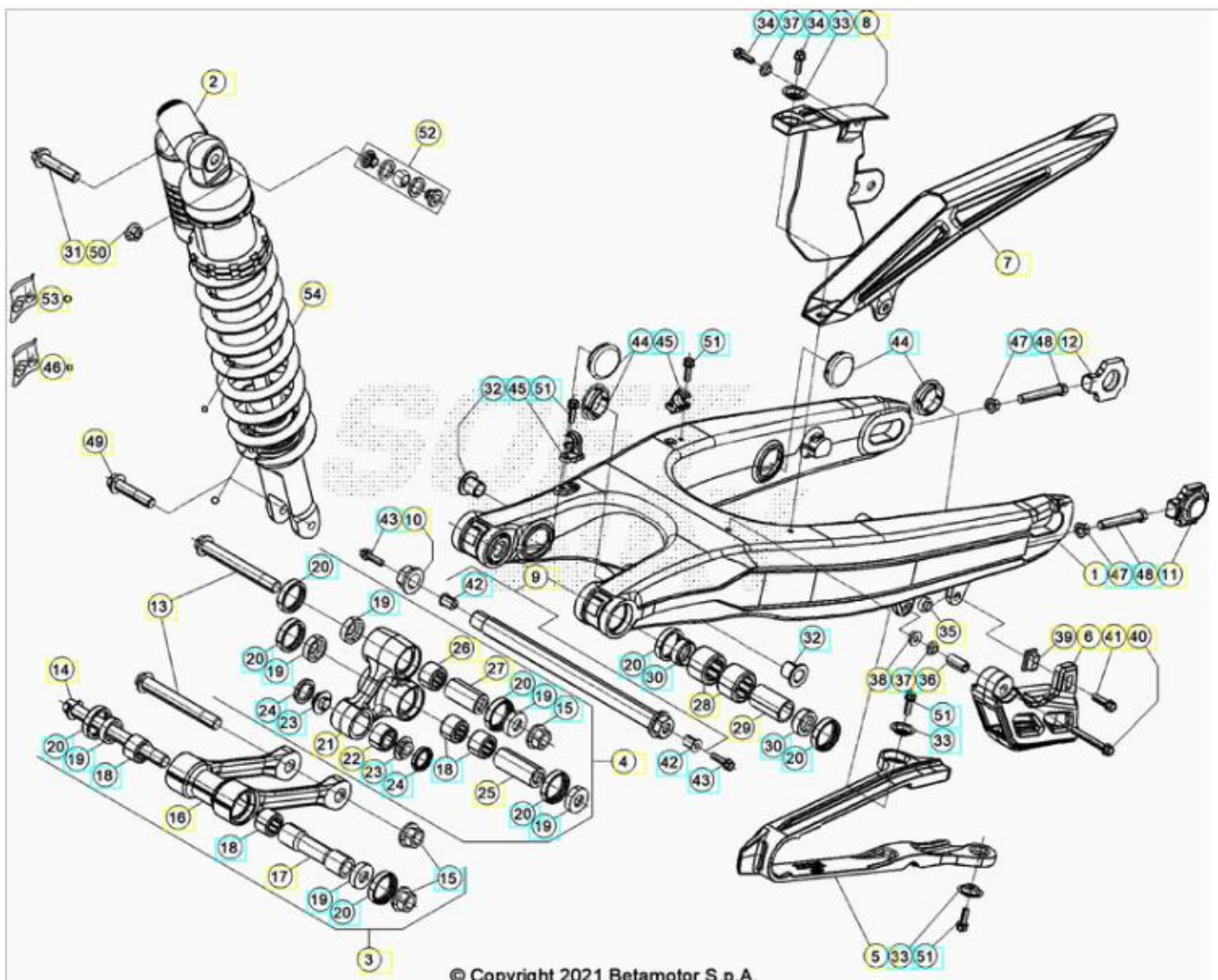
ORDER QTY	REF. NO.	PART NO.	FRAME DESCRIPTION	XTRAINER 300
-----------	----------	----------	-------------------	--------------

1	036.310008.050	FRAME, CMPL	1
2	12.99510.000	BEARING 29.50.15	2
3	10.66935.000	O RING	1
4	020.310390.000	FRONT FORK RING, RR	1
5	25.98782.000	PROTECTION, UPPER BEARING RR 4T	1
6	11.64607.000	SPECIAL BOLT	2
7	13.21060.000	NUT, M10X1,25 H.8.5 14MM SELF.LOCKI	1
8	25.60311.000	M6 SCREW PLATE	4
9	28.85861.000	LOCK, RK6 / RR	1
10	25.24443.000	FAIR LEAD, 6/6	1
11	31.64018.000	SCREW 8.10	2
12	25.24440.000	FAIR LEAD	1
17	11.54521.000	BOLT 8.16 CH.10	2
18	27.49500.000	WASHER 8.16	3
19	13.17123.000	NUT M8, (DIN 6927)	1
20	036.310428.000	NO DESCRIPTION	2
22	11.55950.000	BOLT 8.60	1
26	27.33741.000	RIVET	1



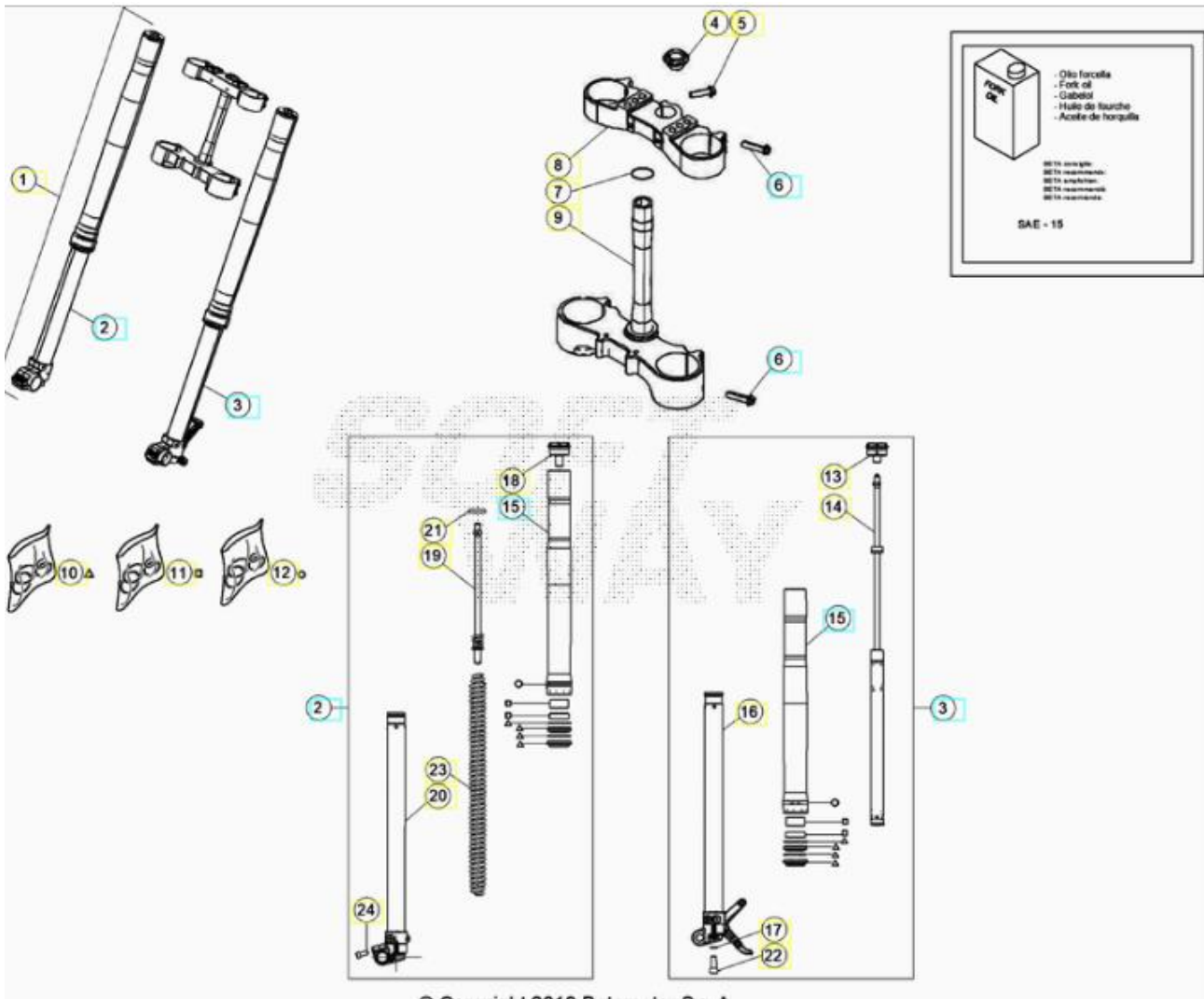
ORDER QTY	REF. NO.	PART NO.	FRAME ACCESSORIES DESCRIPTION	XTRAINER 300
<input type="checkbox"/>	1	036.320008.251	REAR FRAME WHITE	1
<input type="checkbox"/>	2	020.321000.059	RH ROD MACHINED, SUBFRAME RR 4T MY'	1
<input type="checkbox"/>	3	020.320274.259	LH ROD MACHINED, SUBFRAME	1
<input type="checkbox"/>	4	020.320100.005	SEAT LOCK FIXING PLATE	1
<input type="checkbox"/>	5	020.321120.000	SEAT LOCK SPECIAL RIVET	1
<input type="checkbox"/>	6	020.320110.005	SEAT LOCK RETAINING PLATE	1
<input type="checkbox"/>	7	020.320138.051	SEAT LOCK FIXING BUTTON, WHITE	1
<input type="checkbox"/>	9	020.320160.000	SEAT LOCK BUTTON SPRING	1
<input type="checkbox"/>	10	25.25601.000	SLIDING BLOCK	1
<input type="checkbox"/>	11	25.32521.000	RH FOOTREST, RR 4T	1
<input type="checkbox"/>	12	25.32531.000	LH FOOTREST, RR 4T	1

	13	25.54465.000	PIVOT PIN, FOOTREST RR 4T	2
	14	016.320200.000	FOOTREST SPRING, RR	2
	15	031.320010.000	WASHER 10.21.2	2
	16	12.81993.000	SPLIT PIN	2
	17	036.320020.000	ENGINE PROTECTION	1
	18	27.23473.000	OIL BREATHER JOINT	2
	20	11.49070.000	BOLT 6.20	3
	21	020.320040.000	TOP BUSH SUBFRAME RR4T MY'10	2
	22	11.50355.000	BOLT 6.35 RS CH8	2
	23	31.29810.000	SCREW 5.12	1
	24	020.320030.000	FRONT BUSH, SUBFRAME RR 4T MY'10	2
	25	007.320320.000	SCREW TSBEI CH 6 M8X20	2
	26	31.64070.000	SCREW 8.30	2
	27	25.60311.000	M6 SCREW PLATE	4
	28	11.55480.000	BOLT 8.40	1
	29	13.17120.000	NUT M8	1
	30	037.320108.200	KICKSTAND, 2020	1
	31	020.320260.000	SPRING, STAND	1
	32	11.66615.000	SPECIAL BOLT	1
	33	11.66614.000	SPECIAL BOLT, RR 4T '08	1
	34	25.57636.000	PLATE, STAND SPRING	1
	35	22.48819.000	SPRING, STAND EXT	1
	36	22.48818.000	SPRING, STAND	1
	37	036.320041.500	NO DESCRIPTION	1
	39	25.24430.000	FAIR LEAD	1
	41	28.91880.000	SILENT.BLOCK	1
	42	11.47015.000	BOLT 6.12 RS CH8	1
	43	27.42000.000	WASHER 6.18	1



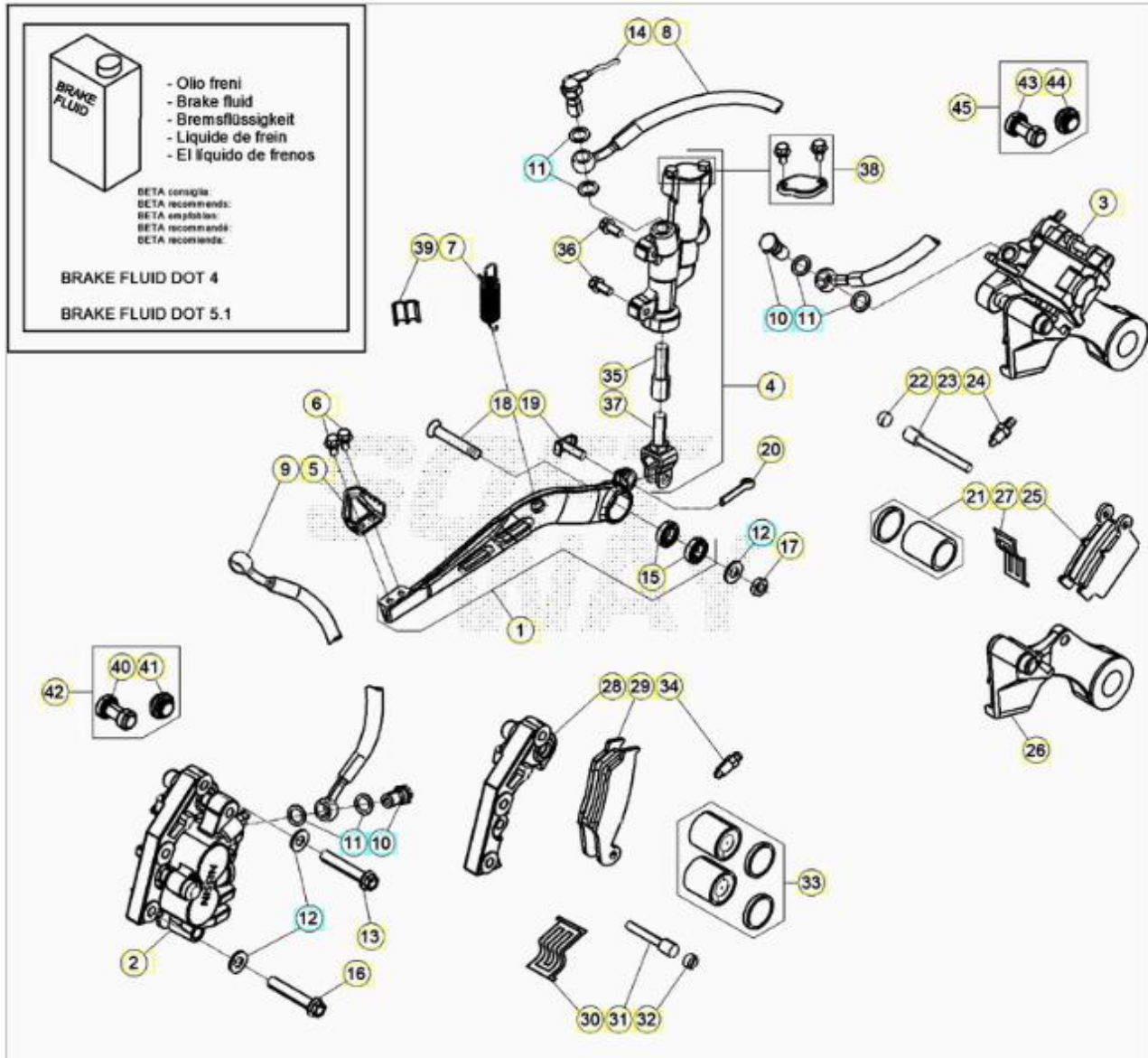
ORDER QTY	REF. NO.	PART NO.	REAR SHOCK ABSORBER DESCRIPTION	XTRAINER 300
<input type="checkbox"/>	1	037.330030.059	SWINGARM BLACK RR	1
<input type="checkbox"/>	2	036.330308.000	SHOCK ABSORBER XTRAINER 2T	1
<input type="checkbox"/>	3	020.330308.000	CONNECTING ROD ASSY	1
<input type="checkbox"/>	4	020.330208.000	RELAY ARM ASSY	1
<input type="checkbox"/>	5	020.330150.000	CHAIN SLIDE, RR 4T MY'10	1
<input type="checkbox"/>	6	037.330040.000	CHAIN GUIDE	1
<input type="checkbox"/>	7	12.88591.159	UPPER CHAIN GUARD, RR 4T	1
<input type="checkbox"/>	8	12.88594.159	LOWER CHAIN GUARD, RR 4T	1
<input type="checkbox"/>	9	031.331428.000	SWINGARM PIVOT	1
<input type="checkbox"/>	10	037.330085.000	NUT	1
<input type="checkbox"/>	11	29.11866.100	LEFT CHAIN TIGHTENER, RR 4T	1
<input type="checkbox"/>	12	29.11865.100	RIGHT CHAIN TIGHTENER, RR 4T	1
<input type="checkbox"/>	13	11.63992.000	BOLT 12 . 1,25 . 96	1
<input type="checkbox"/>	14	020.330320.000	SPECIAL SCREW M12 X 1.25 X 124	1
<input type="checkbox"/>	15	13.21130.000	SELF.BLOCKING NUT 12.1,25	2
<input type="checkbox"/>	16	020.330300.000	CONNECTING ROD ASSY	1
<input type="checkbox"/>	17	020.330310.000	SPACER, CONNECTING ROD	1

	18	11.22055.000	BEARING, 20 X 26 X 16 RR 4T	3
	19	28.14083.000	ROCKING LEVER CUP, RR 4T	6
	20	10.64481.000	OIL SEAL, 25X32X7	8
	21	020.330200.000	RELAY ARM MACHINED	1
	22	16.17310.000	SEAL 24.12.13	1
	23	11.21920.000	BUSH	2
	24	10.56020.000	OIL SEAL 16.24.4	2
	25	13.62813.000	SPACER, 12 X 20 X 50	1
	26	11.22061.000	SEAL, 20 X 26 X 30	1
	27	13.62812.000	SPACER, 12 X 20 X 40	1
	28	11.22056.000	ROLLER CAGE	1
	29	13.49183.000	SPACER, SWINGING ARM VEM	1
	30	28.14081.000	RR4T SWINGING ARM PART	2
	31	C24310500000	SCREW M10X40 1,25	1
	32	020.330010.000	SWINGINGARM BUSH, RR 4T MY'10	2
	33	27.74786.000	WASHER	3
	34	11.46360.000	BOLT 5,16	2
	35	13.12610.000	NUT, SPECIAL	1
	36	13.49191.000	SPACER	1
	37	13.54820.000	SPACER 6,5/9,0/13,5 . 4,8	2
	38	13.13020.000	NUT 6, SELF.BLOCKING	1
	39	13.48868.000	SPACER	1
	40	11.05535.000	BOLT 6.50 RS CH8	1
	41	11.49070.000	BOLT 6.20	1
	42	27.33740.000	RIVET	2
	43	11.46401.000	BOLT 5.20 RS CH8	2
	44	29.10596.136	PLUG, PIVOT PINE SWING ARM (D.30)	2
	45	15.14605.000	CLAMP	2
	46	036.330270.000	DUST SCRAPER KIT	1
	47	13.17122.000	NUT M8	2
	48	11.55909.000	BOLT 8.55	2
	49	11.62050.000	BOLT 10.45 1,25(10.9)	1
	50	13.21060.000	NUT, M10X1,25 H.8.5 14MM SELF.LOCKI	1
	51	11.46251.000	BOLT 5,12	4
	52	036.330130.000	BALL JOINT ASSY	1
	53	036.330230.000	PLATE/CIRCLIPS	1



ORDER QTY	REF. NO.	PART NO.	FRONT FORK DESCRIPTION	XTRAINER 300
<input type="checkbox"/>	1	036.340378.000	DISCONTINUED. ORDER PARTS INDIVIDUALLY.	1
<input type="checkbox"/>	2	036.340038.000	RH FORK LEG	2
<input type="checkbox"/>	3	036.340368.000	LEFT FORK LEG	2
<input type="checkbox"/>	4	020.340040.000	FRONT FORK 20X1,5 NUT RR 4T MY'11	1
<input type="checkbox"/>	5	11.55440.000	BOLT 8.30 RS CH10	1
<input type="checkbox"/>	6	11.55510.000	BOLT 8.40	2
<input type="checkbox"/>	7	10.66420.000	O.RING 20,22.3,53 NBR	1
<input type="checkbox"/>	8	036.340334.259	TRIPLE CLAMP	1
<input type="checkbox"/>	9	036.340348.259	TRIPLE CLAMP ASSY	1
<input type="checkbox"/>	10	036.340078.200	FORK OIL SEAL KIT	1
<input type="checkbox"/>	11	036.340118.200	BUSHING KIT	1
<input type="checkbox"/>	12	036.340158.200	RING KIT	1
<input type="checkbox"/>	13	036.340170.000	FORK PLUG	1
<input type="checkbox"/>	14	036.340400.000	HYDRAULIC CARTRIDGE	1
<input type="checkbox"/>	15	036.340190.000	SLEEVE	2
<input type="checkbox"/>	16	036.340200.000	LH FORK LOWER	1
<input type="checkbox"/>	17	C19430070000	WASHER 12*17*1,5 CU	1

<input type="checkbox"/>	18	036.340220.000	FORK PLUG	1
<input type="checkbox"/>	19	036.340230.000	ROLL	1
<input type="checkbox"/>	20	036.340240.000	OPERATING ROD ASSY	1
<input type="checkbox"/>	21	036.340250.000	FORK CAP	1
<input type="checkbox"/>	22	C24240460000	SCREW 12.30	1
<input type="checkbox"/>	23	036.340210.000	X.TRAINER FORK SPRING, .80KG	1
<input type="checkbox"/>	24	31.63890.000	SCREW 8.20	1

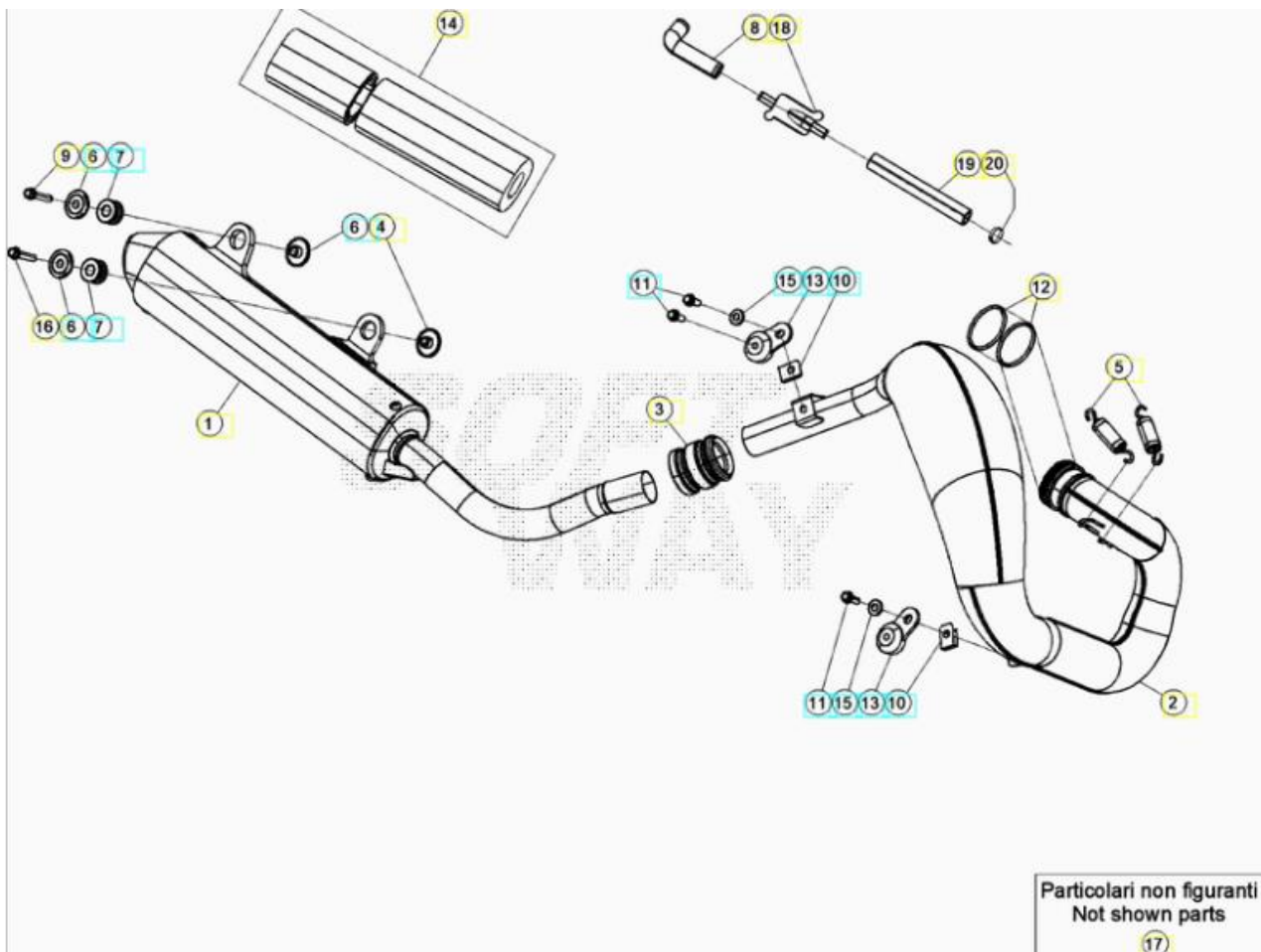


ORDER QTY	REF. NO.	PART NO.	HYDRAULIC BRAKE SYSTEM DESCRIPTION	XTRAINER 300
<input type="checkbox"/>	1	020.360018.000	BRAKE LEVER ASSY RR 4T MY'10	1
<input type="checkbox"/>	2	25.03056.000	FRONT DISC BRAKE CALIPER, RR 4T	1
<input type="checkbox"/>	3	25.03066.000	REAR DISC BRAKE CALIPER, RR 4T	1
<input type="checkbox"/>	4	25.91178.000	PUMP, REAR BRAKE	1



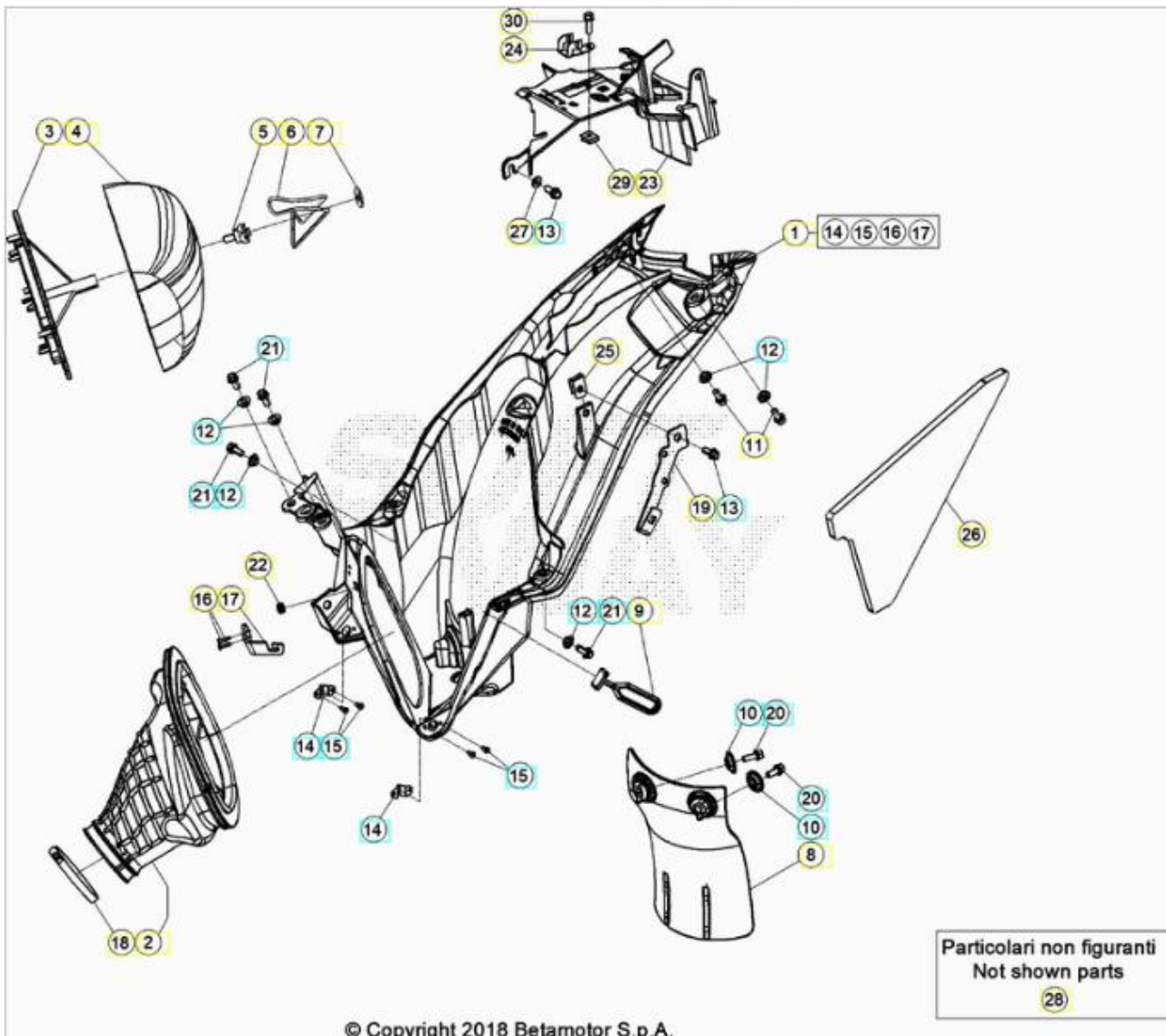
	5	22.90053.000	FOOTREST HUB, RR 4T	1
	6	11.46251.000	BOLT 5,12	1
	7	22.48813.000	SPRING	1
	8	29.09428.000	REAR BRAKE HOSE, RR 4T '07	1
	9	037.360020.000	BRAKE HOSE	1
	10	11.65053.000	RR4T BRAKE TUBE M10X25 BOLT	2
	11	16.50510.000	GASKET 10.15.1 COPPER	3
	12	27.49500.000	WASHER 8.16	2
	13	11.55500.000	BOLT 8.40	1
	14	18.89621.000	STOP SWITCH, M10 X 1,25	1
	15	12.93388.000	BEARING 8.22.7	1
	16	11.55470.000	BOLT 8.35	1
	17	13.17020.000	NUT 8, SELF.BLOCKING	1
	18	31.63985.000	SCREW 8.50 10.9	1
	19	25.41830.000	PIN	1
	20	12.81995.000	CLIP 2.15 INOX	1
	21	20.02717.000	PISTON & OIL SEAL KIT FOR PLIERS 25	1
	22	31.96821.000	PIN PLUG, FOR 2503056/2503066	2
	23	25.41860.000	PIN HANGER, FOR 25.03066.000	1
	24	28.91002.000	BREATHER PIPE	1
	25	25.25362.000	BRAKE PADS	1
	26	020.360110.000	REAR BRAKE CALIPER BRACKET ASSY	1
	27	22.32208.000	BRAKE PADS SPRING FOR PLIERS	1
	28	020.360120.000	FRONT BRAKE CALIPER BRACKET ASSY	1
	29	25.25361.000	FR BRAKE PADS	1
	30	22.32207.000	BRAKE PADS SPRING FOR PLIERS	1
	31	25.41859.000	PIN HANGER, FOR 25.03056.000	1
	33	20.02716.000	PISTON & OIL SEAL KIT FOR PLIERS 25	1
	34	28.91001.000	BREATHER PIPE	1
	35	20.08276.000	KIT PISTON, BRAKE PUMP 25.91178	1
	36	31.30750.000	SCREW 6.16	1
	37	20.08277.000	KIT LEVER, BRAKE PUMP 25.91178	1
	38	20.08275.000	KIT, BRAKE PUMP TANK 25.91178	1
	39	25.24442.000	FAIR LEAD, 6/8	1
	40	036.360020.000	BUSHING	1
	41	036.360030.000	BUSHING	1
	42	036.360068.200	FRONT BUSHING KIT	1

<input type="checkbox"/>	43	036.360040.000	BUSHING	1
<input type="checkbox"/>	44	036.360050.000	BUSHING	1
<input type="checkbox"/>	45	036.360078.200	REAR BUSHING KIT	1



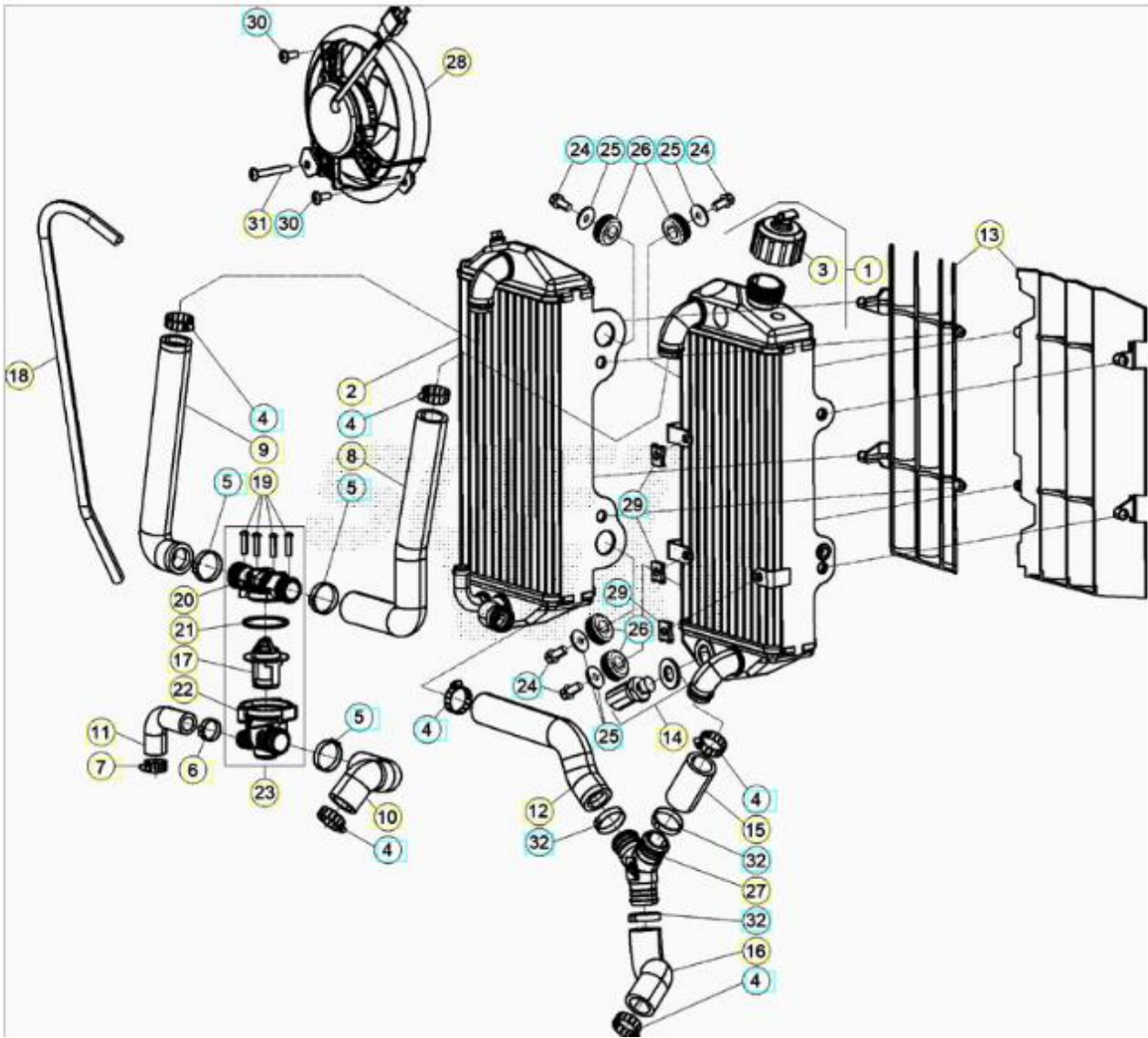
ORDER QTY	REF. NO.	PART NO.	EXHAUST SYSTEM DESCRIPTION	XTRAINER 300
<input type="checkbox"/>	1	036.370108.000	SILENCER COMPLETE	1
<input type="checkbox"/>	2	036.370004.500	HEAD PIPE	1
<input type="checkbox"/>	3	026.371030.000	EXHAUST GASKET	1
<input type="checkbox"/>	4	036.370070.000	SPACER	1
<input type="checkbox"/>	5	026.370050.000	SPRING, EXHAUST PIPE RR 2T	1
<input type="checkbox"/>	6	026.370060.000	SPACER	3
<input type="checkbox"/>	7	032.370130.000	EXHAUST PIPE SILENT BLOCK	2
<input type="checkbox"/>	8	29.15852.000	TUBE "AIS"	1
<input type="checkbox"/>	9	11.50300.000	BOLT 6.30 RS CH8	1
<input type="checkbox"/>	10	25.60311.000	M6 SCREW PLATE	2
<input type="checkbox"/>	11	11.48025.000	BOLT 6.16	2
<input type="checkbox"/>	12	10.66930.000	OIL SEAL OR 43,00.3,00	1
<input type="checkbox"/>	13	28.91943.000	SILENT.BLOCK	2
<input type="checkbox"/>	14	036.371108.200	KIT FOR SILENCER OVERHAULING	1
<input type="checkbox"/>	15	27.42000.000	WASHER 6.18	2

<input type="checkbox"/>	16	11.50360.000	BOLT 6.40 RS CH8	1
<input type="checkbox"/>	17	026.370168.000	EXHAUST MANIFOLD	1
<input type="checkbox"/>	18	31.15070.000	AIR VALVE	1
<input type="checkbox"/>	19	29.15858.000	TUBE	1
<input type="checkbox"/>	20	10.67470.000	RING	1



ORDER QTY	REF. NO.	PART NO.	AIR BOX DESCRIPTION	XTRAINER 300
<input type="checkbox"/>	1	036.380148.059	AIR CLEANER BOX	1
<input type="checkbox"/>	2	026.380010.000	FILTER BOX MANIFOLD RR TS	1
<input type="checkbox"/>	3	026.380020.000	FILTER CAGE, RR 2T	1
<input type="checkbox"/>	4	031.380010.000	TWIN.AIR FILTER, PRE.OILED	1
<input type="checkbox"/>	5	25.57197.000	RR4T FILTER PIN	1
<input type="checkbox"/>	6	020.380210.000	FILTER SPRING RR4T MY'10	1
<input type="checkbox"/>	7	27.74800.000	WASHER	1
<input type="checkbox"/>	8	036.380091.059	PROTECTION REAR SHOCK	1
<input type="checkbox"/>	9	16.34907.000	STAND RUBBER, RR 4T	1

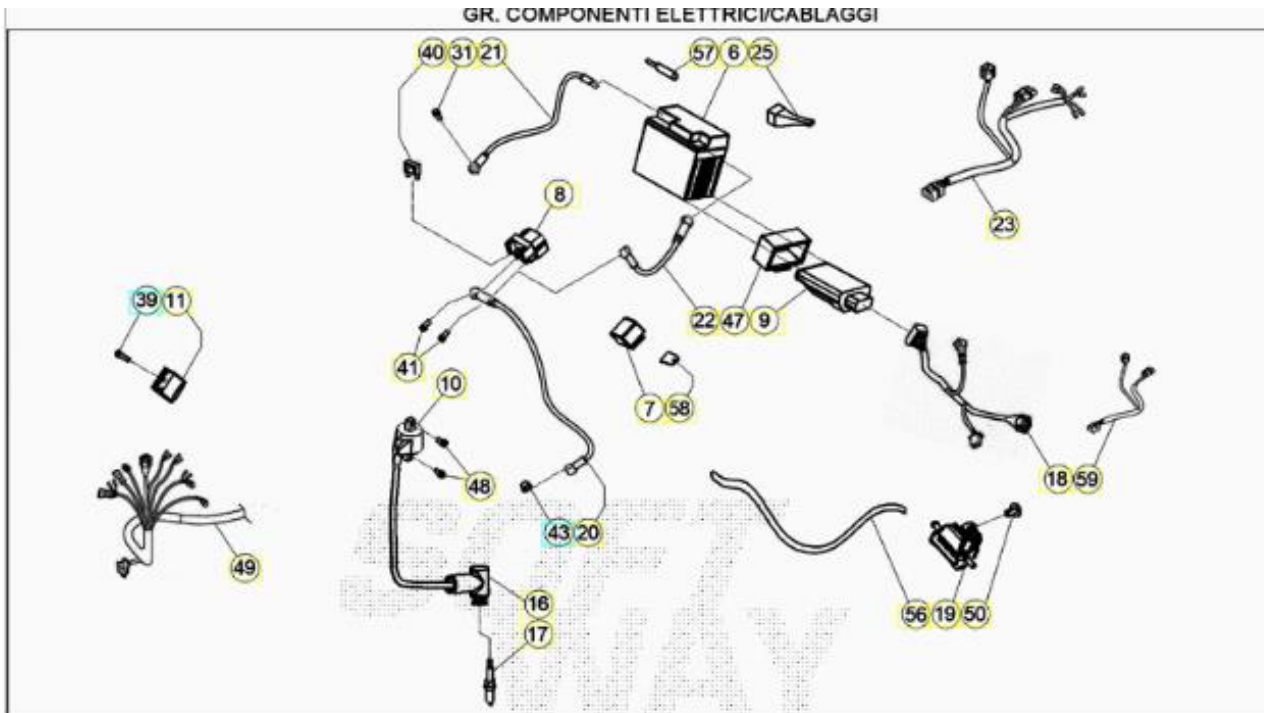
	10	27.74786.000	WASHER	2
	11	31.79960.000	SCREW, 6X15	1
	12	13.54820.000	SPACER 6,5/9,0/13,5 . 4,8	4
	13	11.47015.000	BOLT 6.12 RS CH8	2
	14	026.380040.000	RECEPTACLE	3
	15	C18190090000	RIVET 2.4X8	1
	15	C18190090000	RIVET 2.4X8	2
	16	27.33742.000	RIVET, 3X10	1
	16	27.33803.000	RIVET 3,2.12 STEEL	1
	17	036.380081.500	PLATE	2
	18	15.14272.000	CLAMP	1
	19	031.401272.200	BRACKET	1
	20	31.30815.000	SCREW 6.20	2
	21	11.48025.000	BOLT 6.16	3
	22	16.34906.000	PLATE SUPPORT ALP/MOTARD 4.0 GROMME	1
	23	036.380011.059	FILTER CASE COVER	1
	24	036.400451.500	NO DESCRIPTION	1
	25	25.60311.000	M6 SCREW PLATE	1
	26	036.380050.000	SPONGE	1
	27	27.42000.000	WASHER 6.18	1
	28	021.380198.200	NO DESCRIPTION	1
	29	25.58060.000	FIXING PLATE	1
	30	11.46251.000	BOLT 5,12	1



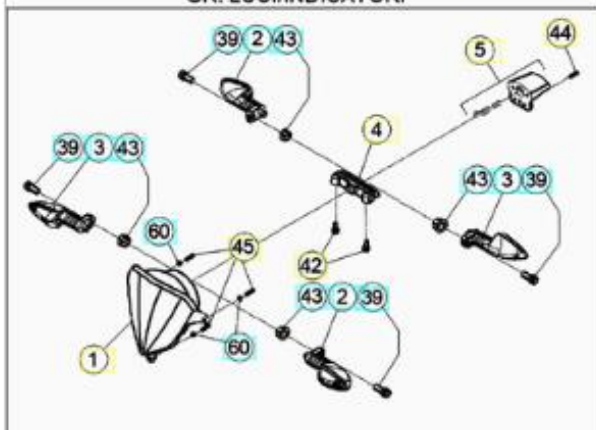
ORDER QTY	REF. NO.	PART NO.	COOLING SYSTEM DESCRIPTION	XTRAINER 300
<input type="checkbox"/>	1	036.390018.000	RH RADIATOR	1
<input type="checkbox"/>	2	036.390000.000	LH RADIATOR	1
<input type="checkbox"/>	3	036.390080.000	RADIATOR CAP	1
<input type="checkbox"/>	4	15.15240.000	CLAMP 16/27	6
<input type="checkbox"/>	5	020.390080.000	SELF LOCKING CLAMP, 24	3
<input type="checkbox"/>	6	020.390090.000	SELF LOCKING CLAMP, 17	1
<input type="checkbox"/>	7	15.15220.000	CLAMP	1
<input type="checkbox"/>	8	036.390020.000	UPPER RH HOSE	1
<input type="checkbox"/>	9	036.390030.000	UPPER LH HOSE	1
<input type="checkbox"/>	10	036.390040.000	LOWER RH HOSE	1
<input type="checkbox"/>	11	036.390050.000	LOWER LH HOSE	1
<input type="checkbox"/>	12	036.390060.000	RADIATOR HOSE	1
<input type="checkbox"/>	13	036.390070.051	RADIATOR GRILLS	1
<input type="checkbox"/>	14	036.390090.000	THERMO SWITCH	1
<input type="checkbox"/>	15	036.390100.000	RH RADIATOR HOSE	1
<input type="checkbox"/>	16	036.390110.000	LH RADIATOR HOSE	1

<input type="checkbox"/>	17	026.390130.000	TERMOSTAT RR TS	1
<input type="checkbox"/>	18	026.390070.000	RR 2T RADIATOR OVERPRESSURE HOSE	1
<input type="checkbox"/>	19	031.390175.000	SCREW	1
<input type="checkbox"/>	20	031.390160.000	THERMOSTAT COVER	1
<input type="checkbox"/>	21	10.66830.000	O.RING	1
<input type="checkbox"/>	22	031.390150.000	THERMOSTAT CONTAINER	1
<input type="checkbox"/>	23	026.390208.000	THERMOSTAT ASSEMBLY	1
<input type="checkbox"/>	24	11.47015.000	BOLT 6.12 RS CH8	3
<input type="checkbox"/>	25	27.43250.000	WASHER 6.24	3
<input type="checkbox"/>	26	16.34911.000	RUBBER	2
<input type="checkbox"/>	27	020.390200.000	RADIATOR HOSE	1
<input type="checkbox"/>	28	021.390020.000	ELECTRIC FAN	1
<input type="checkbox"/>	29	25.58065.000	M5 PLATE FOR TEKNOFIX PM0531P	2
<input type="checkbox"/>	30	31.29828.000	SCREW 5.12	2
<input type="checkbox"/>	31	31.29886.000	TBCE SCREW 5.35 ISO 7380	1
<input type="checkbox"/>	32	C07160050000	CLAMP D.25	3

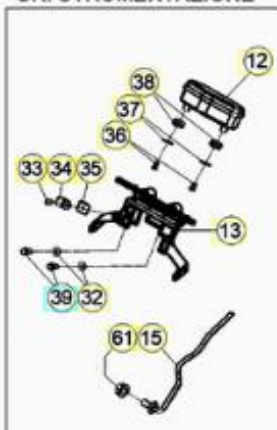
## GR. COMPONENTI ELETTRICI/CABLAGGI



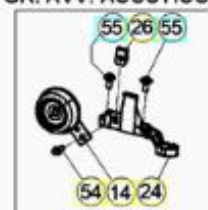
## GR. LUCI/INDICATORI



## GR. STRUMENTAZIONE



## GR. AVV. ACUSTICO



## GR. ACCESSORI



ORDER QTY	REF. NO.	PART NO.	ELECTRICAL EQUIPMENT DESCRIPTION	XTRAINER 300
<input type="checkbox"/>	1	16.46210.000	HEADLIGHT, RR 4T '08	1
<input type="checkbox"/>	2	020.400610.000	BLINKER LF/RR	2
<input type="checkbox"/>	3	020.400600.000	BLINKER RF/LR	2
<input type="checkbox"/>	4	024.400560.000	REAR HEADLIGHT	1
<input type="checkbox"/>	5	020.400200.000	NUMBER PLATE LIGHT .DOT.	1
<input type="checkbox"/>	6	11.15416.000	MOTOBATT LITHIUM BATTERY MPLX7U.HP	1
<input type="checkbox"/>	7	18.84948.000	FLASHING DEVICE	1
<input type="checkbox"/>	8	27.28471.000	RELAIS, STARTING	1
<input type="checkbox"/>	9	036.400338.300	CONTROL UNIT XTRAINER 2T 300	1
<input type="checkbox"/>	10	036.400090.000	IGNITION COIL	1
<input type="checkbox"/>	11	27.28101.000	RECTIFIER	1
<input type="checkbox"/>	12	040.400040.000	DIGITAL DASHBOARD RR 2T	1
<input type="checkbox"/>	13	036.400420.059	DASHBOARD BRACKET BLACK XTRAINER 2T	1
<input type="checkbox"/>	14	007.400500.000	HORN	1
<input type="checkbox"/>	15	031.401660.000	REED SENSOR	1

	16	27.13514.000	SPARK PLUG PROTECTOR CR65.2001	1
	17	036.110010.000	SPARK PLUG, GR7CI8	1
	18	036.400440.000	MAIN WIRING HARNESS XTRAINER 2T	1
	19	026.400170.000	OIL PUMP	1
	20	026.400060.000	STARTER SYSTEM RRTS	1
	21	036.400110.000	GROUND CABLE	1
	22	020.400030.000	BATTERY ELECTRIC SYSTEM RR4T MY'10	1
	23	036.400470.000	SECONDARY WIRING REAR XTRAINER 2T	1
	24	037.400230.059	HORN BRACKET BLACK RR	1
	25	031.400520.000	DIODE	1
	26	25.60311.000	M6 SCREW PLATE	1
	27	036.320041.500	NO DESCRIPTION	1
	28	25.24442.000	FAIR LEAD, 6/8	1
	29	25.24443.000	FAIR LEAD, 6/6	1
	30	15.14264.000	TIE WRAP	1
	31	31.31040.000	SCREW 6.12	1
	32	13.54820.000	SPACER 6,5/9,0/13,5 . 4,8	1
	33	31.23600.000	SCREW 4,2.13	1
	34	25.25182.000	CLAMP "NYLPAS016R"	1
	35	25.58090.000	PLATE 4,2	1
	36	C24220090000	SCREW M4X10 UNI 7687	1
	37	27.34800.000	WASHER 4.16	1
	38	031.400130.000	RUBBER BUFFER	1
	39	11.48025.000	BOLT 6.16	6
	40	020.400060.000	10/32V FUSE	1
	41	31.30190.000	SCREW 6.8	1
	42	11.46360.000	BOLT 5,16	1
	43	13.12550.000	NUT M6	5
	44	31.23565.000	SCREW 4,5.15 , SCREWPLAST	1
	45	31.26190.000	SCREW 4.12	1
	46	14.40020.000	ELASTIC BAND FOR BATTERY FIXATION	1
	47	007.400340.000	CDI UNIT CUSHION	1
	48	31.31050.000	SCREW 6.15	1
	49	036.400460.000	SECONDARY WIRING FRONT XTRAINER 2T	1
	50	31.95510.000	SCREW 6X12 TBCE	1
	54	11.46501.000	BOLT 6.10	1
	55	037.430280.000	SPECIAL BOLT M6X8	2

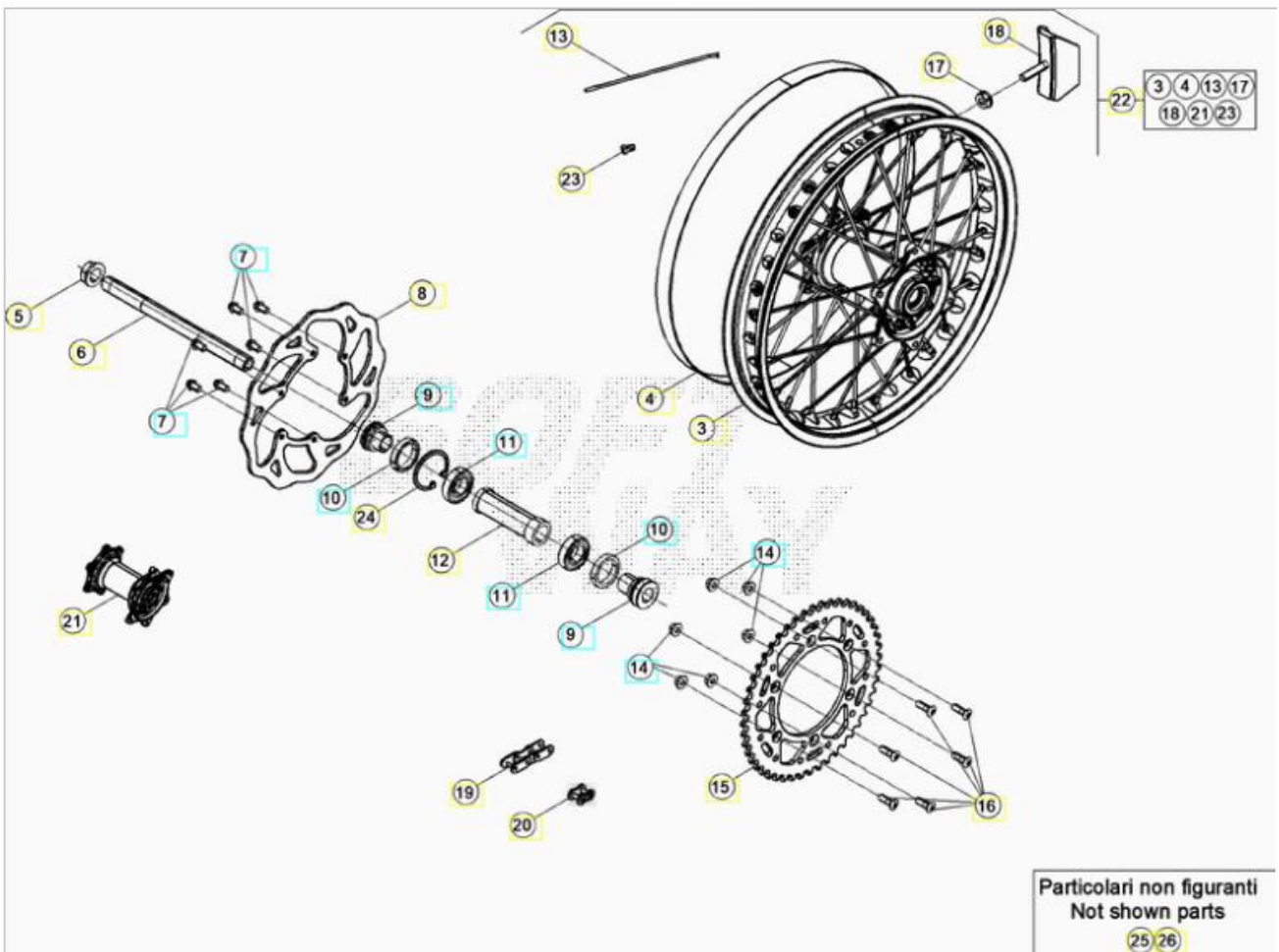


<input type="checkbox"/>	56	036.430300.000	OIL TUBE	1
<input type="checkbox"/>	57	031.400510.000	CONDENSER	1
<input type="checkbox"/>	58	031.400022.200	PLATE (FLASH DEVICE)	1
<input type="checkbox"/>	59	026.400570.000	DIAGNOSIS WIRING	1
<input type="checkbox"/>	60	27.34650.000	WASHER 4.9	2
<input type="checkbox"/>	61	13.17121.000	NUT M8, SPECIAL CH.10	1



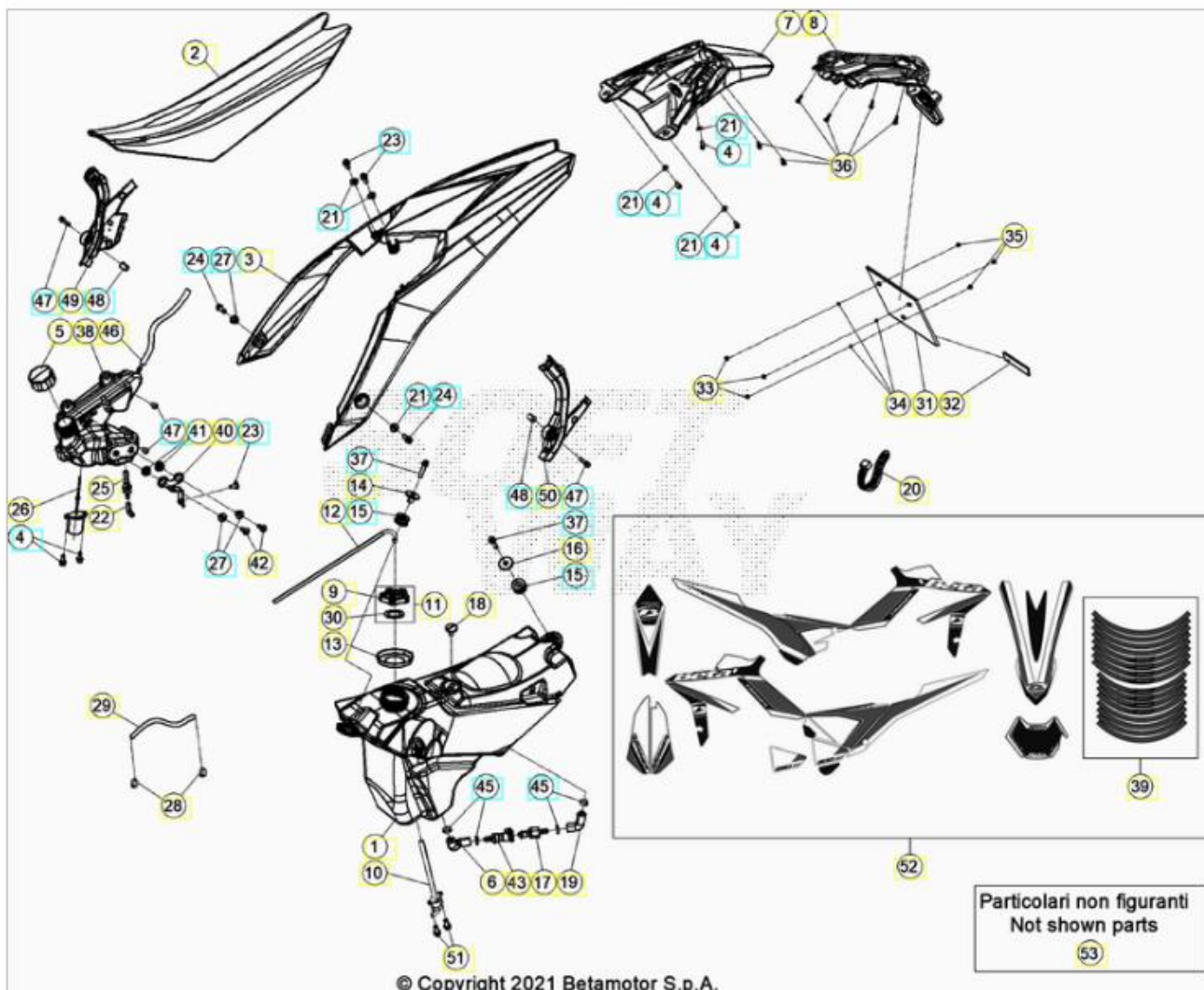
ORDER QTY	REF. NO.	PART NO.	WHEEL . FRONT DESCRIPTION	XTRAINER 300
<input type="checkbox"/>	1	036.410070.059	FRONT RIM	2
<input type="checkbox"/>	2	15.38200.000	BEAD 21.25	2
<input type="checkbox"/>	5	031.410300.000	FRONT BRAKE DISC	1
<input type="checkbox"/>	7	036.410050.000	FRONT WHEEL SPACER	2
<input type="checkbox"/>	8	10.66000.000	SEAL 35.47.7	2
<input type="checkbox"/>	9	020.410030.000	BEARING 30.47.9	2

<input type="checkbox"/>	10	036.410040.000	FRONT AXLE	1
<input type="checkbox"/>	11	031.410150.000	INNER SPACER	1
<input type="checkbox"/>	14	031.410430.000	DISC SPEC. SCREW 6X14	1
<input type="checkbox"/>	15	28.22660.000	SEEGER 9E	1
<input type="checkbox"/>	16	021.410050.000	MAGNETE, HALL SENSOR	1
<input type="checkbox"/>	17	036.410030.000	FR NIPPLE	2
<input type="checkbox"/>	18	036.410020.000	FR SPOKE	2
<input type="checkbox"/>	19	27.58080.000	WASHER 9 . 13 . 0,4	1
<input type="checkbox"/>	20	036.410100.000	RIM LOCK	2
<input type="checkbox"/>	21	13.17120.000	NUT M8	2
<input type="checkbox"/>	22	036.410090.059	FRONT WHEEL ASSEMBLY	1
<input type="checkbox"/>	23	031.410148.000	FRONT HUB, RR 4T	2
<input type="checkbox"/>	24	C01260010000	CIRCLIP 47X1.75	1



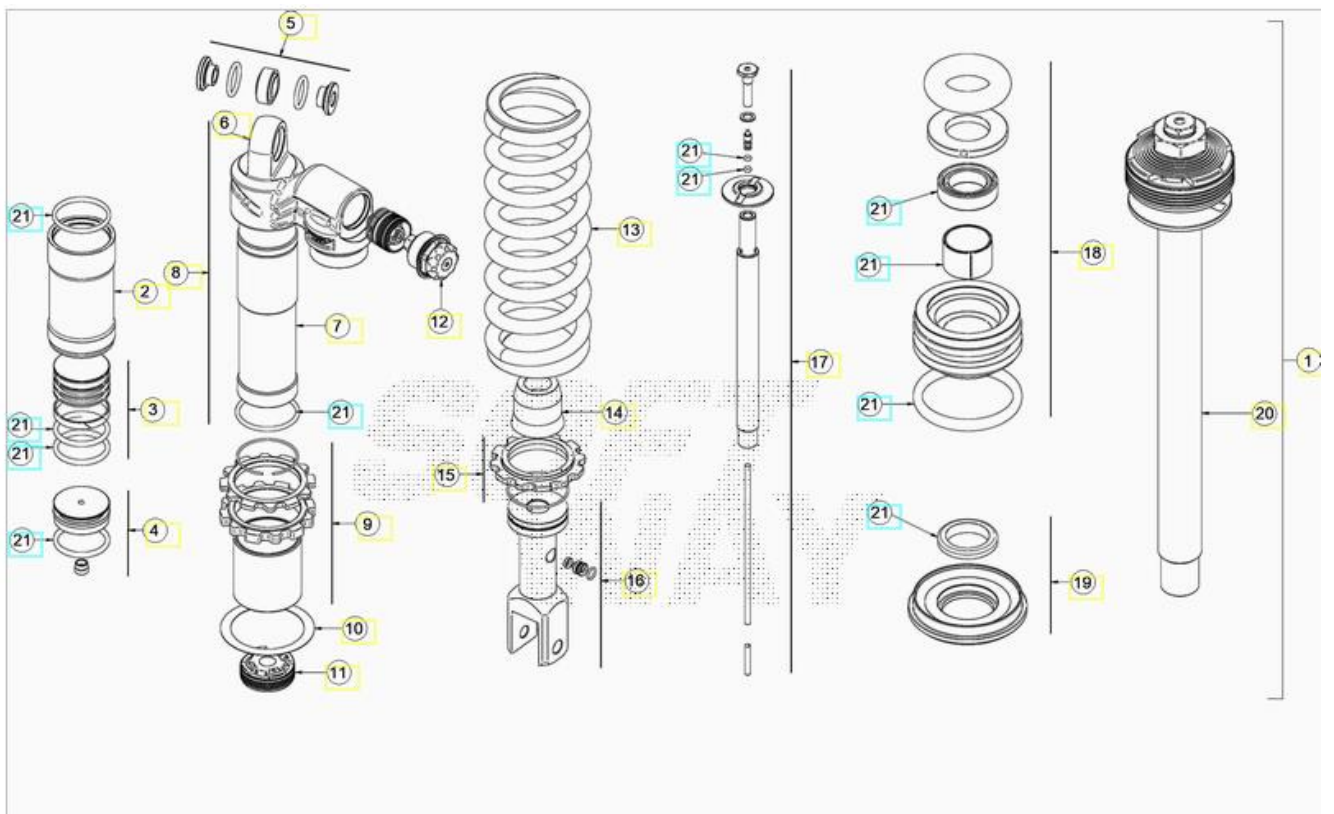
ORDER QTY	REF. NO.	PART NO.	WHEEL . REAR DESCRIPTION	XTRAINER 300
<input type="checkbox"/>	3	036.420070.059	REAR RIM	2
<input type="checkbox"/>	4	15.36000.000	BEAD 17/18.25	2
<input type="checkbox"/>	5	13.27120.000	SPECIAL NUT	1
<input type="checkbox"/>	6	25.55812.000	REAR WHEEL SPINDLE, RR 4T	1
<input type="checkbox"/>	7	031.410160.000	DISC SPEC. SCREW 6X14	2

	8	031.420300.000	BRAKE DISC	1
	9	031.420020.000	REAR HUB SPACER, RR 4T	2
	10	10.66000.000	SEAL 35.47.7	2
	11	020.420040.000	BEARING 25.47.12	2
	12	031.420050.000	INNER SPACER	1
	13	036.420040.000	RR SPOKE	2
	14	13.17123.000	NUT M8, (DIN 6927)	2
	16	31.96827.000	SCREW, SPEC. TGS TORXS M8X26	1
	17	13.17120.000	NUT M8	2
	18	15.17550.000	S/S TO 15.17541.000	2
	18	15.17541.000	TIRE FASTENER, RR 4T	1
	19	031.420030.000	CHAIN, P.114 RR 4T	1
	20	031.420080.000	CONNECTING LINK	1
	21	031.420148.000	REAR HUB, RR4T	2
	22	036.420080.059	REAR WHEEL ASSEMBLY	1
	23	036.420050.000	NIPPLE	2
	24	C01260010000	CIRCLIP 47X1.75	1
	25	026.420130.000	REAR SPROCKET, Z.42	1
	26	12.08204.000	CHAIN, 5/8.1/4 P.112	1

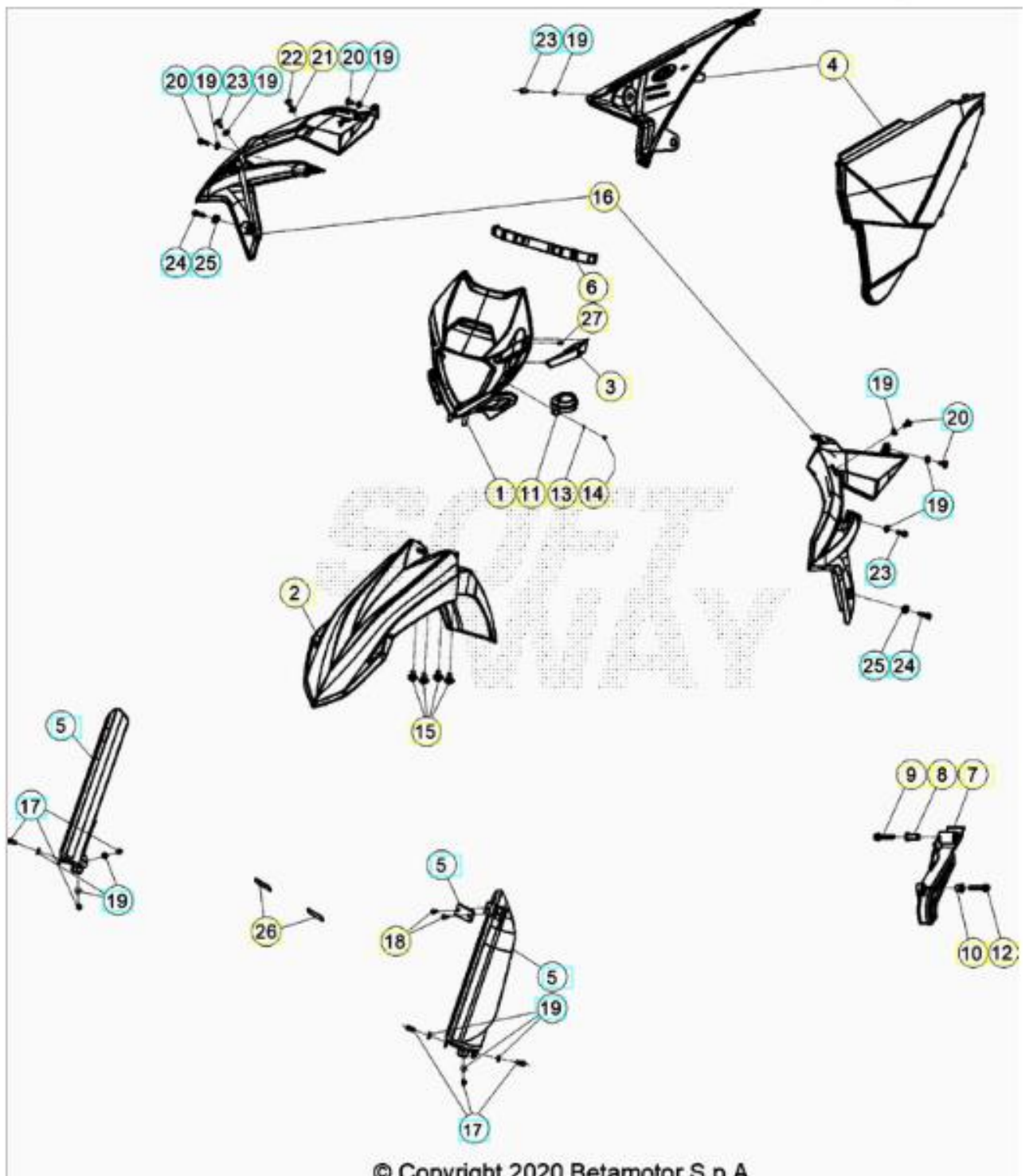


ORDER QTY	REF. NO.	PART NO.	FAIRING . TANK	XTRAINER 300
<input type="checkbox"/>	1	036.430340.059	FUEL TANK	1
<input type="checkbox"/>	2	036.430480.000	SEAT XTRAINER 2T MY20	1
<input type="checkbox"/>	3	036.430031.051	REAR MUDGUARD, WHITE	1
<input type="checkbox"/>	4	11.47015.000	BOLT 6.12 RS CH8	4
<input type="checkbox"/>	5	036.430100.000	OIL TANK PLUG	1
<input type="checkbox"/>	6	036.430120.000	FUEL LINE	1
<input type="checkbox"/>	7	036.430061.059	REAR FENDER EXTENSION	1
<input type="checkbox"/>	8	020.430341.059	BLACK PLATE SUPPORT, RR.S	1
<input type="checkbox"/>	9	036.430418.000	FILLER CAP	1
<input type="checkbox"/>	10	036.430390.000	PETCOCK	1
<input type="checkbox"/>	12	020.430030.000	EXHAUST TUBE PLUG/VALVE RR 4T MY'10	1
<input type="checkbox"/>	13	026.430290.000	RING	1
<input type="checkbox"/>	14	020.430020.000	SPACER, FUEL TANK RR 4T MY'10	1
<input type="checkbox"/>	15	032.370130.000	EXHAUST PIPE SILENT BLOCK	2
<input type="checkbox"/>	16	031.430020.000	SPACER	1
<input type="checkbox"/>	17	036.430130.000	CONNECTOR	1

	18	31.89010.000	SPECIAL SCREW	1
	19	036.430110.000	FUEL LINE	1
	20	15.14264.000	TIE WRAP	1
	21	13.54820.000	SPACER 6,5/9,0/13,5 . 4,8	5
	22	036.430220.000	OIL LINE	1
	23	31.95510.000	SCREW 6X12 TBCE	2
	24	11.48025.000	BOLT 6.16	2
	25	036.430170.000	JOINT	1
	26	026.400190.000	OIL LEVEL GAUGE	1
	27	13.62000.000	SPACER	2
	28	C07080080000	RING CE 12	1
	29	026.430050.000	GASOLINE TUBE TANK/CARBUR. RR 2T	1
	30	031.431160.000	CAP GASKET	1
	31	018.430101.059	DISCONTINUED . EURO ONLY	1
	32	12.33086.000	DISCONTINUED	1
	33	13.11010.000	NUT 5, SELF.BLOCKING NUT 5	1
	34	27.36000.000	WASHER 5.11	1
	35	31.29860.000	SCREW 5.16	1
	36	31.79960.000	SCREW , 6X15	1
	37	11.50300.000	BOLT 6.30 RS CH8	2
	38	026.430071.051	OIL TANK, WHITE	1
	39	036.430548.200	RIMS DECALS XTRAINER 2T MY21	1
	40	036.430212.200	OIL PUMP ELEMENT	1
	41	16.34906.000	PLATE SUPPORT ALP/MOTARD 4.0 GROMME	1
	42	31.30470.000	SCREW 6.14	1
	43	031.400270.000	GAS COUPLER	1
	45	C07160020000	SELF LOCKING CLAMP	2
	46	036.430281.400	BREATHER TUBE	1
	47	11.49070.000	BOLT 6.20	3
	48	27.33740.000	RIVET	2
	49	036.430271.059	X.TRAINER FRAME GUARD SET	1
	50	036.430261.059	X.TRAINER FRAME GUARD SET	1
	51	11.46251.000	BOLT 5,12	1
	52	036.430568.200	NO DESCRIPTION	1
	53	041.430088.200	ACTIVATED CARBON FILTER BOX . KIT 2T	1






ORDER QTY	REF. NO.	PART NO.	REAR FORK DESCRIPTION	XTRAINER 300
<input type="checkbox"/>	1	036.330308.000	SHOCK ABSORBER XTRAINER 2T	1
<input type="checkbox"/>	2	036.330100.000	SHOCK TANK	1
<input type="checkbox"/>	3	036.330110.000	DIAPHRAGM ASSY	1
<input type="checkbox"/>	4	036.330120.000	SHOCK PLUG ASSY	1
<input type="checkbox"/>	5	036.330130.000	BALL JOINT ASSY	1
<input type="checkbox"/>	6	036.330140.000	BRACKET	1
<input type="checkbox"/>	7	036.330150.000	SHOCK BODY	1
<input type="checkbox"/>	8	036.330160.000	DAMPER CASE ASSY	1
<input type="checkbox"/>	9	036.330170.000	RING NUTS	1
<input type="checkbox"/>	10	036.330180.000	WASHER	1
<input type="checkbox"/>	11	036.330190.000	PISTON	1
<input type="checkbox"/>	12	036.330200.000	COMPRESSION ADJ UNIT	1
<input type="checkbox"/>	14	036.330220.000	BUFFER	1
<input type="checkbox"/>	15	036.330230.000	PLATE/CIRCLIPS	1
<input type="checkbox"/>	16	036.330240.000	SHOCK INF. CONNECTION	1
<input type="checkbox"/>	17	036.330250.000	ROD ASSY	1
<input type="checkbox"/>	18	036.330260.000	GUIDE ROD ASSY	1
<input type="checkbox"/>	19	036.330270.000	DUST SCRAPER KIT	1
<input type="checkbox"/>	20	036.330280.000	OPERATING ROD ASSY	1
<input type="checkbox"/>	21	036.330290.000	GASKET KIT	11



© Copyright 2020 Betamotor S.p.A

ORDER QTY	REF. NO.	PART NO.	FAIRING	XTRAINER 300
<input type="checkbox"/>	1	036.430460.051	HEADLIGHT MASK WHITE XTRAINER 2T	1
<input type="checkbox"/>	2	037.430090.051	FRONT FENDER WHITE RR	1
<input type="checkbox"/>	3	037.430170.051	FAIRLEAD WHITE RR	1
<input type="checkbox"/>	4	026.430210.051	AIR BOX PANELS, WHITE	1
<input type="checkbox"/>	5	021.450080.051	FORK GUARD SET, WHITE	3
<input type="checkbox"/>	6	037.430200.059	HEADLIGHT MASK RUBBER BAND	1

	7	040.430050.059	PINION GUARD BLACK RR 2T	1
	8	13.49189.000	SPACER	1
	9	11.50300.000	BOLT 6.30 RS CH8	1
	10	13.49190.000	SPACER	1
	11	25.24464.000	HEADLIGHT HOLDER FAIR LEAD	1
	12	11.50355.000	BOLT 6.35 RS CH8	1
	13	27.34650.000	WASHER 4.9	1
	14	31.23566.000	SCREW 4,5.9 SCREWPLAST	1
	15	037.430290.000	SPECIAL BOLT M6X12	1
	16	036.430450.051	TANK PANEL . PAIR WHITE XTRAINER 2T	1
	17	11.47015.000	BOLT 6.12 RS CH8	2
	18	31.79960.000	SCREW, 6X15	1
	19	13.54820.000	SPACER 6,5/9,0/13,5 . 4,8	8
	20	31.95510.000	SCREW 6X12 TBCE	3
	21	13.62000.000	SPACER	1
	22	31.30035.000	SCREW 6.16	1
	23	11.48025.000	BOLT 6.16	3
	24	11.49070.000	BOLT 6.20	2
	25	020.430120.000	SPACER	2
	26	12.33062.000	REFLECTOR	1
	27	31.23580.000	PARKER SCREW 4,8.13	1