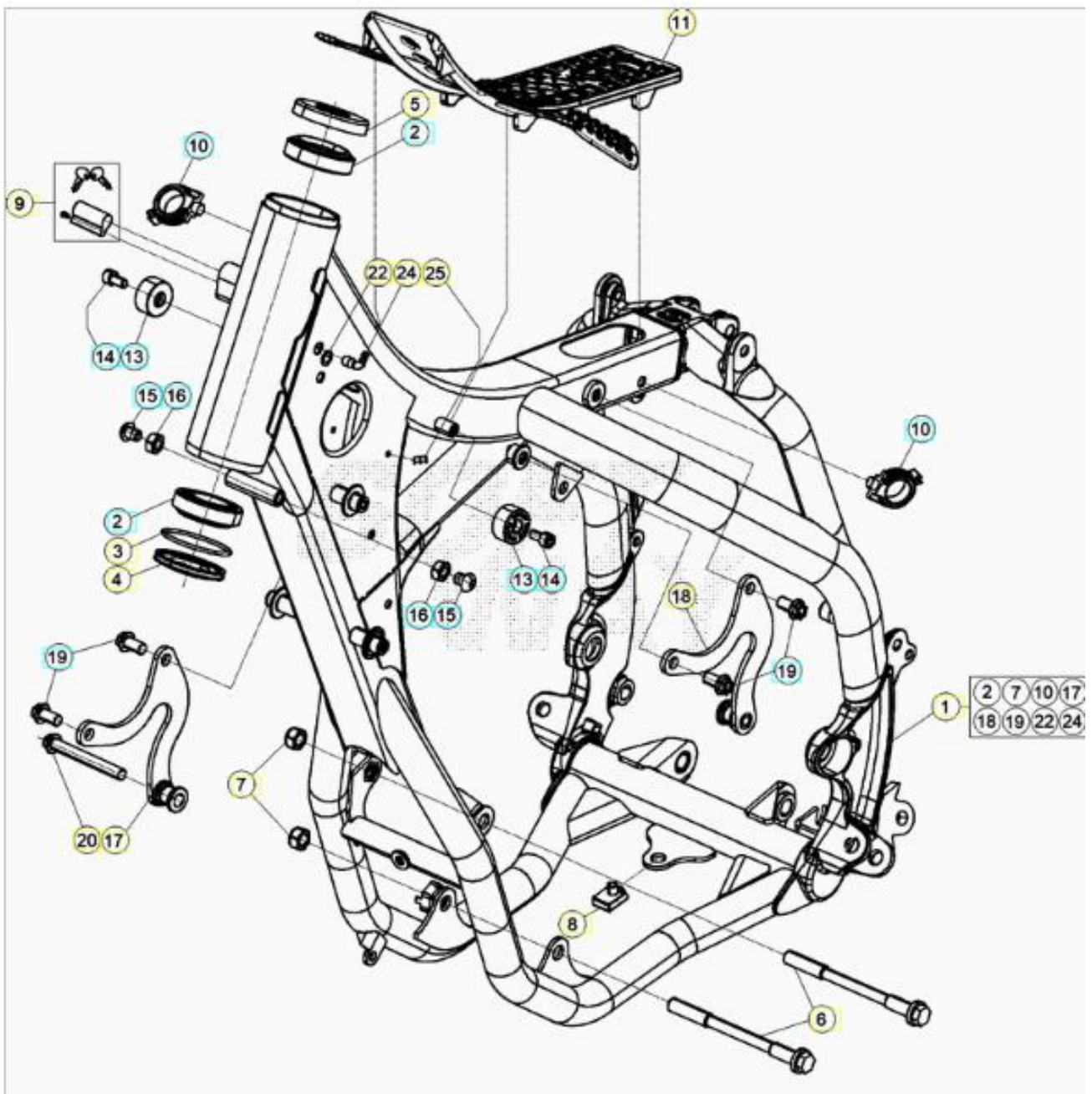


MMB **MOTOCROSS** **CENTER.COM**

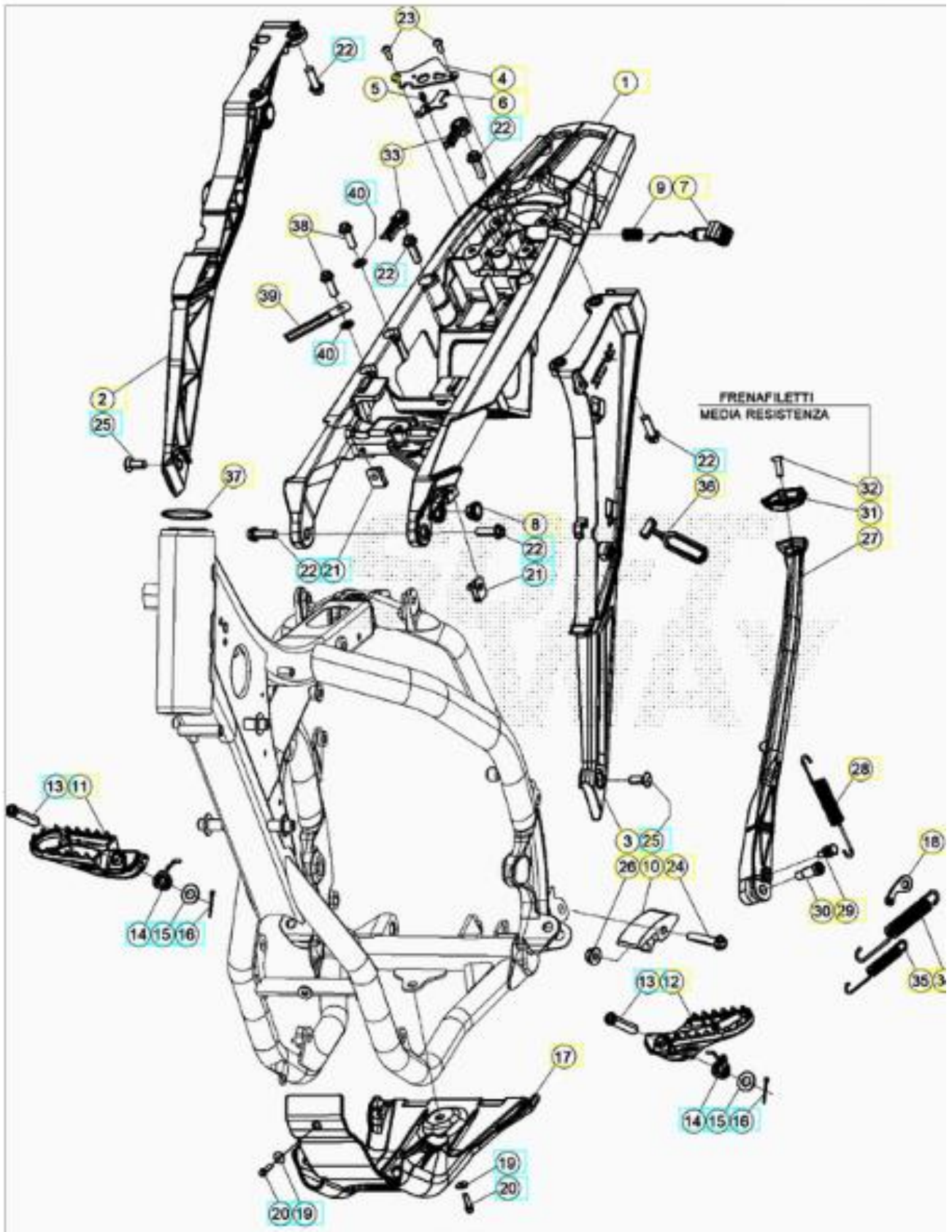
BETA RR 250 MY 2022








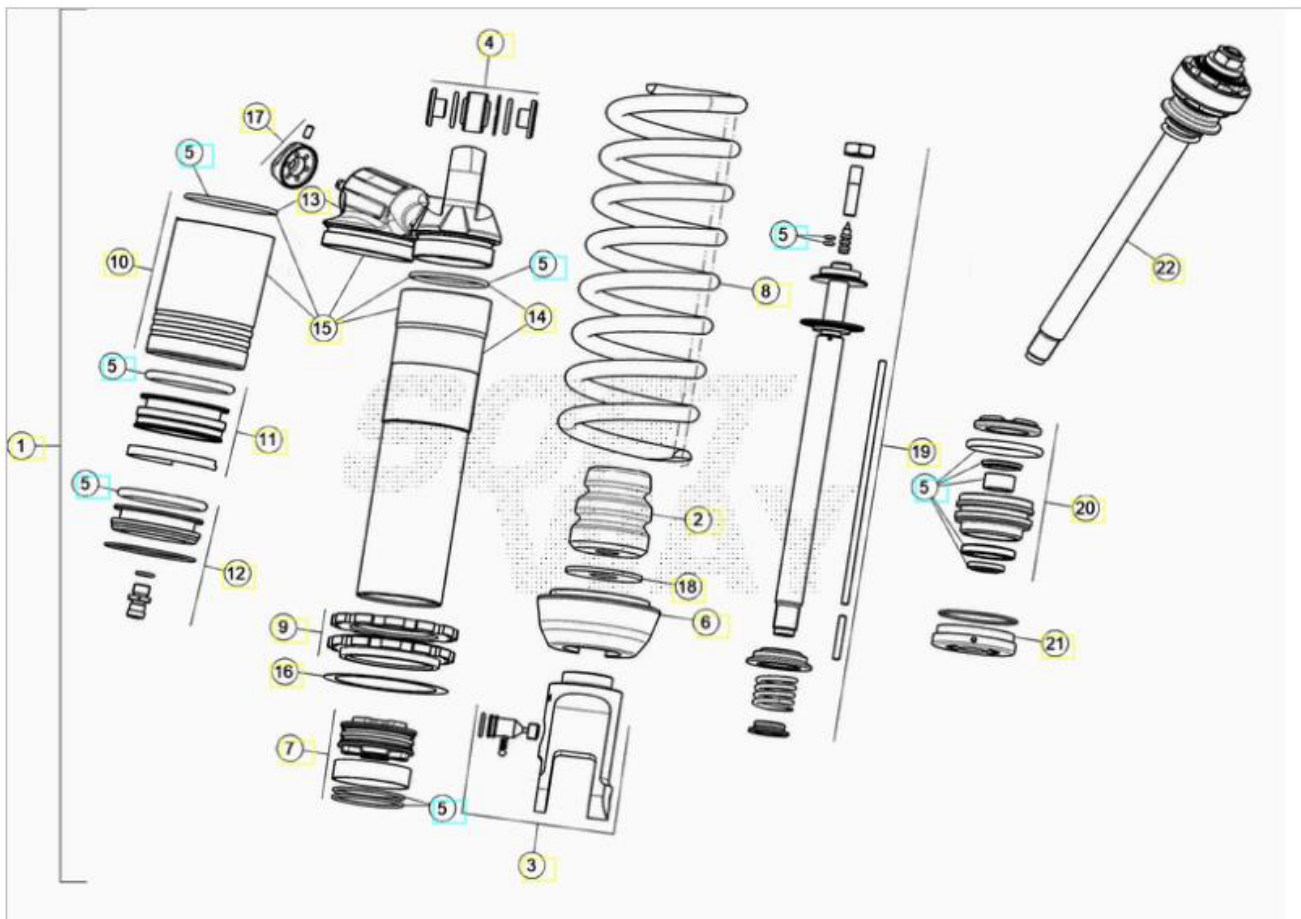
ORDER QTY	REF. NO.	PART NO.	FRAME DESCRIPTION	RR 2T 250
<input type="checkbox"/>	1	040.310358.050	FRAME	1
<input type="checkbox"/>	2	12.99510.000	BEARING 29.50.15	3
<input type="checkbox"/>	3	10.66935.000	O RING	1
<input type="checkbox"/>	4	020.310390.000	FRONT FORK RING, RR	1
<input type="checkbox"/>	5	031.310162.200	PROTECTION, UPPER BEARING	1
<input type="checkbox"/>	6	11.64607.000	SPECIAL BOLT	1
<input type="checkbox"/>	7	13.21060.000	NUT, M10X1,25 H.8.5 14MM SELF.LOCKI	2
<input type="checkbox"/>	8	25.60311.000	M6 SCREW PLATE	1
<input type="checkbox"/>	9	037.310240.000	STEERING LOCK PIN TUMBLER	1
<input type="checkbox"/>	10	037.370183.700	FAIR LEAD	1
<input type="checkbox"/>	10	25.24440.000	FAIR LEAD	1
<input type="checkbox"/>	10	25.24441.000	FAIR LEAD D.15, RR 4T	2

	11	037.310710.059	FUEL TANK RUBBER PAD	1
	13	29.10310.000	TANK RUBBER PAD TR34	2
	14	31.31050.000	SCREW 6.15	2
	15	31.64060.000	SCREW 8.16	2
	16	13.16000.000	NUT 8.6	2
	17	040.320008.000	FRAME BRACE, RH	1
	17	040.320608.000	NO DESCRIPTION	1
	18	040.320015.000	FRAME BRACE, LH	1
	18	040.320615.000	NO DESCRIPTION	1
	19	11.54521.000	BOLT 8.16 CH.10	3
	20	C24310450000	SCREW M8X65	1
	22	27.23473.000	OIL BREATHER JOINT	2
	22	27.33741.000	RIVET	1
	24	27.23470.000	BREATHER PIPE HOSE	1
	25	25.24443.000	FAIR LEAD, 6/6	1



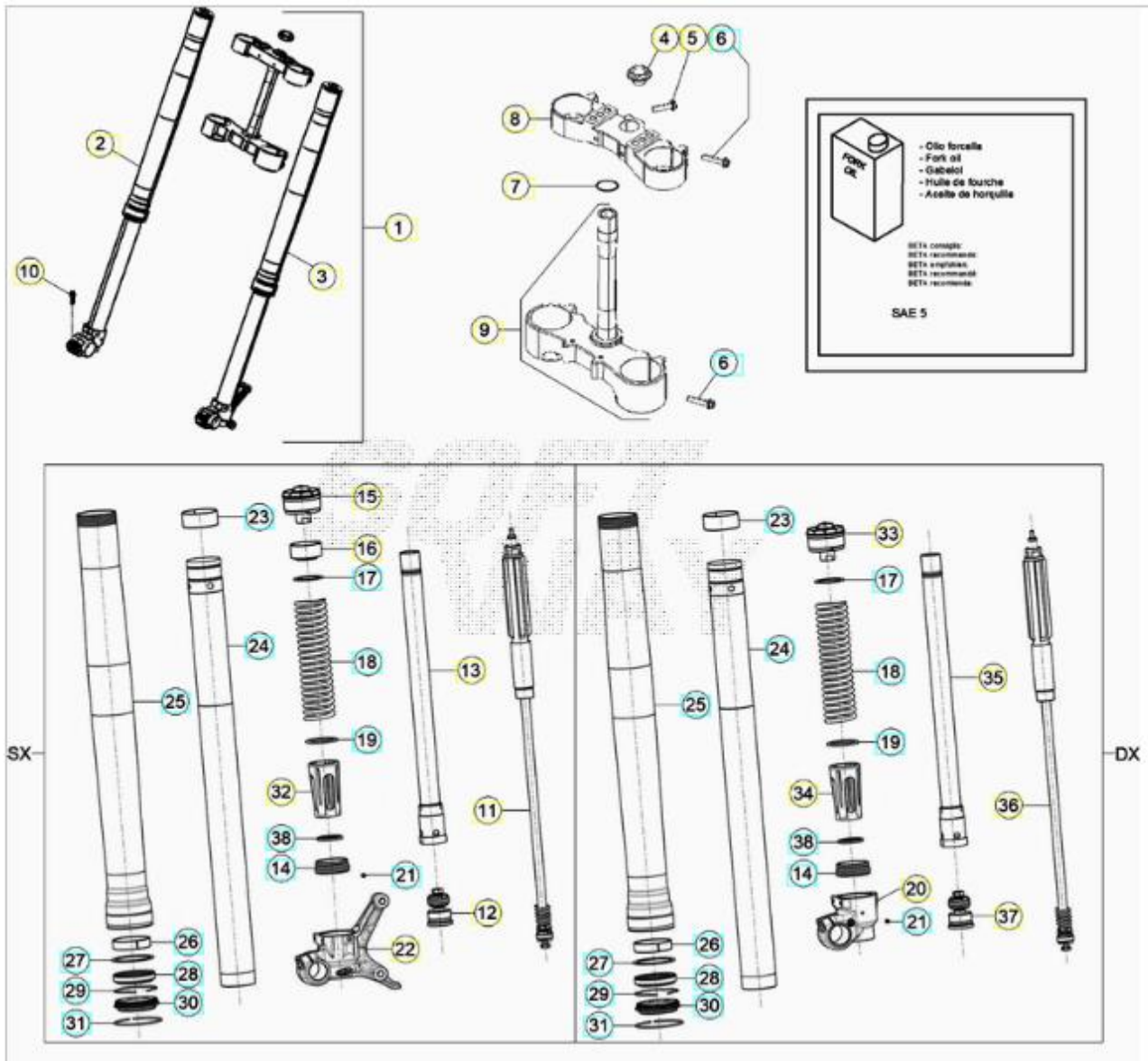
ORDER QTY	REF. NO.	PART NO.	FRAME ACCESSORIES DESCRIPTION	RR 2T 250
<input type="checkbox"/>	1	040.320358.059	SUBFRAME	1
<input type="checkbox"/>	2	037.320338.759	RH SUBFRAME ARM	1
<input type="checkbox"/>	3	037.320348.759	LH SUBFRAME ARM	1
<input type="checkbox"/>	4	020.320100.005	SEAT LOCK FIXING PLATE	1
<input type="checkbox"/>	5	020.321120.000	SEAT LOCK SPECIAL RIVET	1

	6	037.320135.000	RETAINING PLATE	1
	7	037.320148.759	SEAT BUTTON	1
	8	037.380030.000	INSERT 2T	1
	9	020.320160.000	SEAT LOCK BUTTON SPRING	1
	10	25.25601.000	SLIDING BLOCK	1
	11	037.320090.000	FOOTPEG	1
	12	037.320080.000	FOOTPEG	1
	13	25.54465.000	PIVOT PIN, FOOTREST RR 4T	2
	14	037.320190.000	SPRING	2
	15	031.320010.000	WASHER 10.21.2	2
	16	12.81993.000	SPLIT PIN	2
	17	040.320050.059	ENGINE GUARD BLACK RR 2T	1
	18	037.320315.000	STAND SPRING BRACKET	1
	19	27.42000.000	WASHER 6.18	2
	20	11.49070.000	BOLT 6.20	2
	21	25.60311.000	M6 SCREW PLATE	2
	22	31.64070.000	SCREW 8.30	6
	23	31.29810.000	SCREW 5.12	1
	24	11.55480.000	BOLT 8.40	1
	25	007.320320.000	SCREW TSBEI CH 6 M8X20	2
	26	13.17120.000	NUT M8	1
	27	037.320108.200	KICKSTAND, 2020	1
	28	037.320300.000	SPRING	1
	29	11.66615.000	SPECIAL BOLT	1
	30	11.66614.000	SPECIAL BOLT, RR 4T '08	1
	31	037.320170.000	INSERT	1
	32	31.34400.000	SCREW 6.20	1
	33	037.320270.000	RUBBER PAD . KIT	1
	34	037.320290.000	SPRING	1
	35	037.320280.000	SPRING	1
	36	16.34907.000	STAND RUBBER, RR 4T	1
	37	031.320070.000	OIL SEAL	1
	38	11.50355.000	BOLT 6.35 RS CH8	1
	39	032.350490.000	TIE WRAP	1
	40	27.40500.000	WASHER 6.12.1,6 DIN 125	2



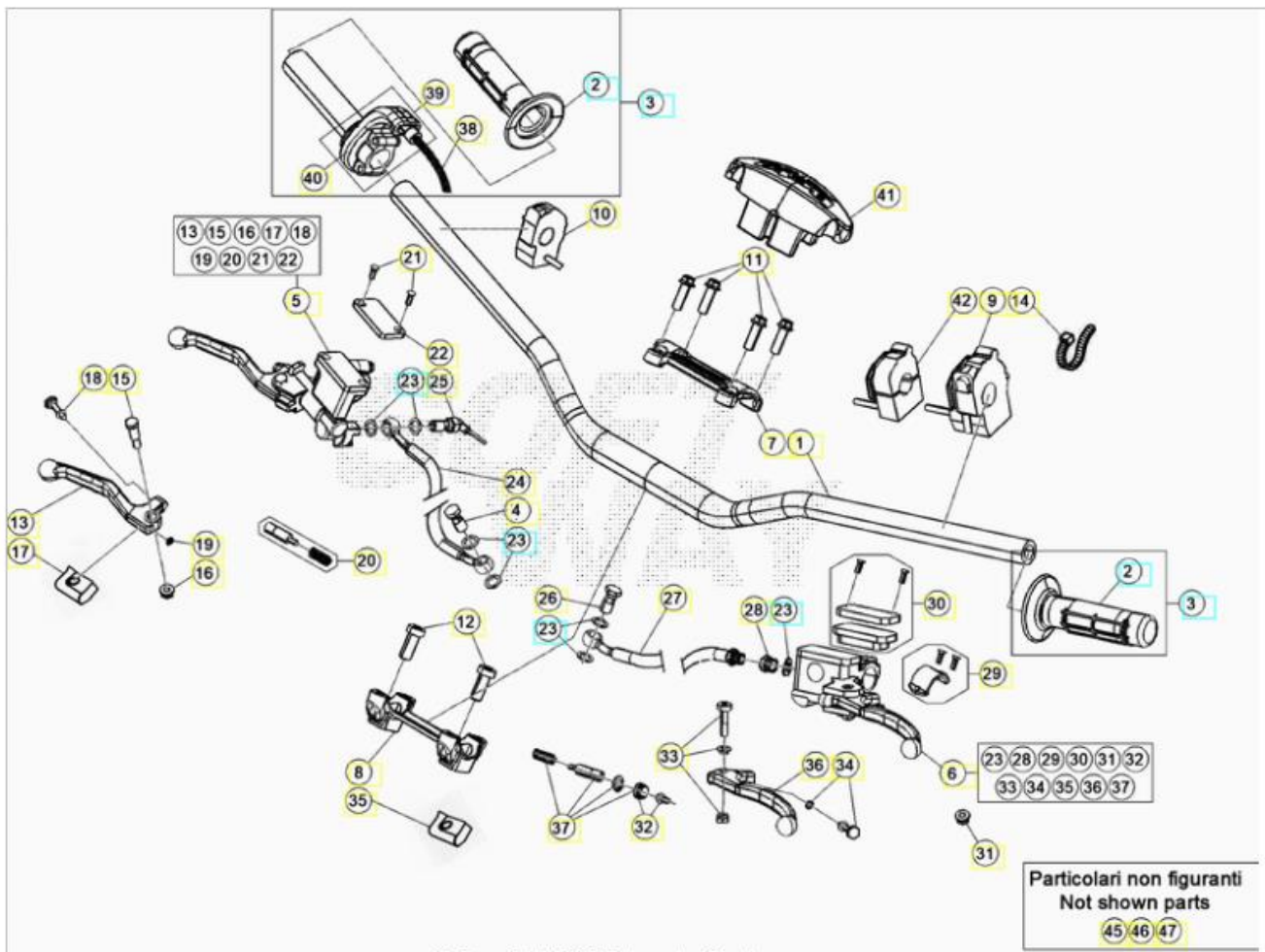
ORDER QTY	REF. NO.	PART NO.	REAR SHOCK ABSORBER DESCRIPTION	RR 2T 250
<input type="checkbox"/>	1	040.330088.000	SHOCK ABSORBER RR 2T	1
<input type="checkbox"/>	2	037.330090.000	SHOCK ABSORBER BUMPER	1
<input type="checkbox"/>	3	037.330100.000	SHOCK ABSORBER FORK	1
<input type="checkbox"/>	4	13.86078.800	SHOCK ABSORBER SPACERS *SET*	1
<input type="checkbox"/>	5	037.330118.200	GASKET . KIT	7
<input type="checkbox"/>	6	037.330120.000	SHOCK ABSORBER SPRING RETAINER	1
<input type="checkbox"/>	7	026.330200.000	PISTON	1
<input type="checkbox"/>	8	040.330110.000	NO DESCRIPTION	1
<input type="checkbox"/>	9	026.330190.000	DAMPER ADJ RING NUT	1
<input type="checkbox"/>	10	026.330120.000	SOCK ABSORBER TANK	1
<input type="checkbox"/>	11	026.330130.000	DIAPHRAGM	1
<input type="checkbox"/>	12	026.330140.000	PLUG	1
<input type="checkbox"/>	13	037.330130.000	CAP	1
<input type="checkbox"/>	14	037.330140.000	SHOCK ABSORBER BODY	1
<input type="checkbox"/>	15	037.330150.000	SHOCK ABSORBER BODY	1
<input type="checkbox"/>	16	031.330120.000	WASHER	1
<input type="checkbox"/>	17	026.330210.000	BAND	1
<input type="checkbox"/>	18	031.330140.000	WASHER	1
<input type="checkbox"/>	19	037.330160.000	SHOCK TUBE	1

<input type="checkbox"/>	20	037.330170.000	SEAL KIT	1
<input type="checkbox"/>	21	026.330260.000	PLUG	1
<input type="checkbox"/>	22	040.330128.000	NO DESCRIPTION	1



ORDER QTY	REF. NO.	PART NO.	FRONT FORK DESCRIPTION	RR 2T 250
<input type="checkbox"/>	1	040.340498.000	NO DESCRIPTION	1
<input type="checkbox"/>	2	040.340388.000	RIGHT FORK LEG RR 2T	1
<input type="checkbox"/>	3	040.340398.000	LEFT FORK LEG RR 2T	1
<input type="checkbox"/>	4	020.340040.000	FRONT FORK 20X1,5 NUT RR 4T MY'11	1
<input type="checkbox"/>	5	11.55440.000	BOLT 8.30 RS CH10	1
<input type="checkbox"/>	6	11.55510.000	BOLT 8.40	2
<input type="checkbox"/>	7	10.66420.000	O.RING 20,22,3,53 NBR	1
<input type="checkbox"/>	8	026.340364.259	TRIPLE CLAMP, RACING	1
<input type="checkbox"/>	9	026.340378.259	TRIPLE CLAMP LOWER W/ STEM, RACING	1
<input type="checkbox"/>	10	031.340720.000	SCREW M8X25	1
<input type="checkbox"/>	11	040.340450.000	NO DESCRIPTION	1

	12	040.340470.000	NO DESCRIPTION	1
	13	037.340150.000	TUBE	1
	14	020.343130.000	STEM SUPPORTING RING + O RING	2
	15	040.340500.000	NO DESCRIPTION	1
	16	040.340080.000	SPACER	1
	17	031.343230.000	WASHER	2
	18	026.340400.000	FORK SPRING, S/S TO AB.12048?	2
	19	040.340410.000	NO DESCRIPTION	2
	20	037.340140.000	FORK BOTTOM	1
	21	020.343080.000	DOWEL	2
	22	037.340130.000	FORK BOTTOM	1
	23	020.343200.000	BUSH D.49/47 L20	2
	24	031.340210.000	STEM	2
	25	040.340400.000	NO DESCRIPTION	2
	26	031.340200.000	BUSH 52X48X12	2
	27	020.343180.000	SPACER	2
	28	020.343170.000	SKF FORK SEAL KIT . SACHS 48MM	2
	29	020.343160.000	CIRCLIP D.58,45	2
	30	020.343150.000	SKF FORK SEAL KIT . SACHS 48MM	2
	31	026.343640.000	CHECK RING	2
	32	040.340420.000	NO DESCRIPTION	1
	33	040.340510.000	NO DESCRIPTION	1
	34	040.340430.000	NO DESCRIPTION	1
	35	037.340160.000	TUBE	1
	36	040.340460.000	NO DESCRIPTION	1
	37	040.340480.000	NO DESCRIPTION	1
	38	040.340440.000	NO DESCRIPTION	2



ORDER QTY	REF. NO.	PART NO.	CONTROLS HANDLEBARS DESCRIPTION	RR 2T 250
<input type="checkbox"/>	1	037.350000.059	HANDLEBAR BLACK	1
<input type="checkbox"/>	2	036.350050.000	BETA FACTORY GRIPS	2
<input type="checkbox"/>	3	026.350028.000	THROTTLE ASSY	2
<input type="checkbox"/>	4	11.65053.000	RR4T BRAKE TUBE M10X25 BOLT	1
<input type="checkbox"/>	5	21.02057.059	FRONT BRAKE LEVER, RACING	1
<input type="checkbox"/>	6	020.350200.000	CLUTCH LEVER, RR 4T	1
<input type="checkbox"/>	7	12.08253.000	UPPER HANDLEBAR BRACKET, FORK 15.08	1
<input type="checkbox"/>	8	12.08263.000	LOWER HANDLEBAR BRACKET, FORK 15.08	1
<input type="checkbox"/>	9	016.350100.000	DEVICE, RR 4T	1
<input type="checkbox"/>	10	026.400470.000	ON/OFF DEVICE	1
<input type="checkbox"/>	11	31.64070.000	SCREW 8.30	1
<input type="checkbox"/>	12	31.65626.000	SCREW TCCE M10.25 SPECIAL HEAD	1
<input type="checkbox"/>	13	21.27104.000	FRONT BRAKE LEVER ONLY (2102057)	2
<input type="checkbox"/>	14	15.14264.000	TIE WRAP	1
<input type="checkbox"/>	15	31.96832.000	RR4Y BRAKE LEVER SPECIAL SCREW	2
<input type="checkbox"/>	16	13.30911.000	SPECIAL NUT BRAKE LEVER RR4T	2
<input type="checkbox"/>	17	16.33841.000	GROMMET	2
<input type="checkbox"/>	18	31.88604.000	BRAKE LEVER ADJ. SCREW	2

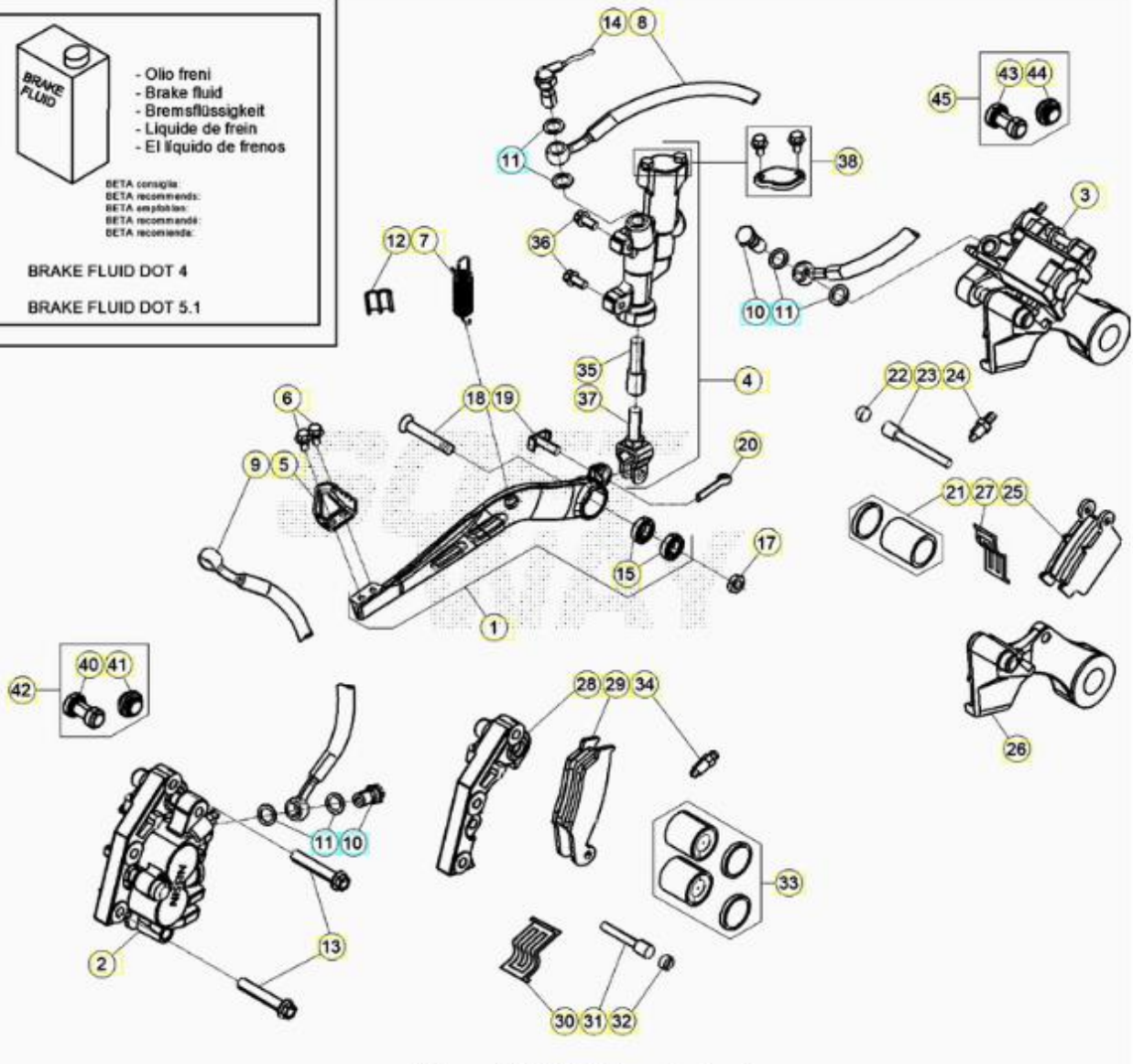
	19	22.38704.000	FRONT BRAKE LEVER RETURN SPRING	2
	20	20.08258.000	BRAKE PUMP PISTON ASSY	2
	21	31.23410.052	SCREW	2
	22	031.360038.200	BRAKE PUMP COVER	2
	23	16.50510.000	GASKET 10.15.1 COPPER	5
	24	037.360020.000	BRAKE HOSE	1
	25	18.89621.000	STOP SWITCH, M10 X 1,25	1
	26	11.65040.000	SPECIAL BOLT	1
	27	026.350140.000	CLUTCH TUBE	1
	28	020.350320.000	JOINT.P.	2
	29	020.350250.000	CLAMP, CLUTCH CONTROL LEVER	2
	30	020.350230.000	RESERVOIR CAP, CLUTCH CONTROL LEVER	2
	31	020.350280.000	ANTI.BUBBLE, CLUTCH CONTROL LEVER	2
	32	020.350290.000	PUSH.ROD, CLUTCH CONTROL LEVER	2
	33	020.350240.000	LEVER PIN, CLUTCH CONTROL LEVER	2
	34	020.350300.000	SPRING GUIDE, CLUTCH CONTROL LEVER	2
	35	020.350270.000	DUST COVER, CLUTCH CONTROL LEVER	2
	36	020.350220.000	LEVER, CLUTCH CONTROL LEVER	2
	37	020.350260.000	PISTON SET, CLUTCH CONTROL LEVER	2
	38	026.350118.200	THROTTLE CABLE, RR 2.STROKE	1
	39	026.350100.000	THROTTLE ASSEMBLY	1
	40	031.350130.000	PROTECTION	1
	41	037.430160.059	HANDLEBAR PROTECTION BLACK RR	1
	42	007.400880.000	ECU MAP SWITCH B1	1
	45	12.30100.000	HOLDER WITH MIRROR CONNECTION	1
	46	28.92927.000	RH MIRROR	1
	47	031.350080.000	MIRROR	1



- Olio freni
- Brake fluid
- Bremsflüssigkeit
- Liquide de frein
- El líquido de frenos

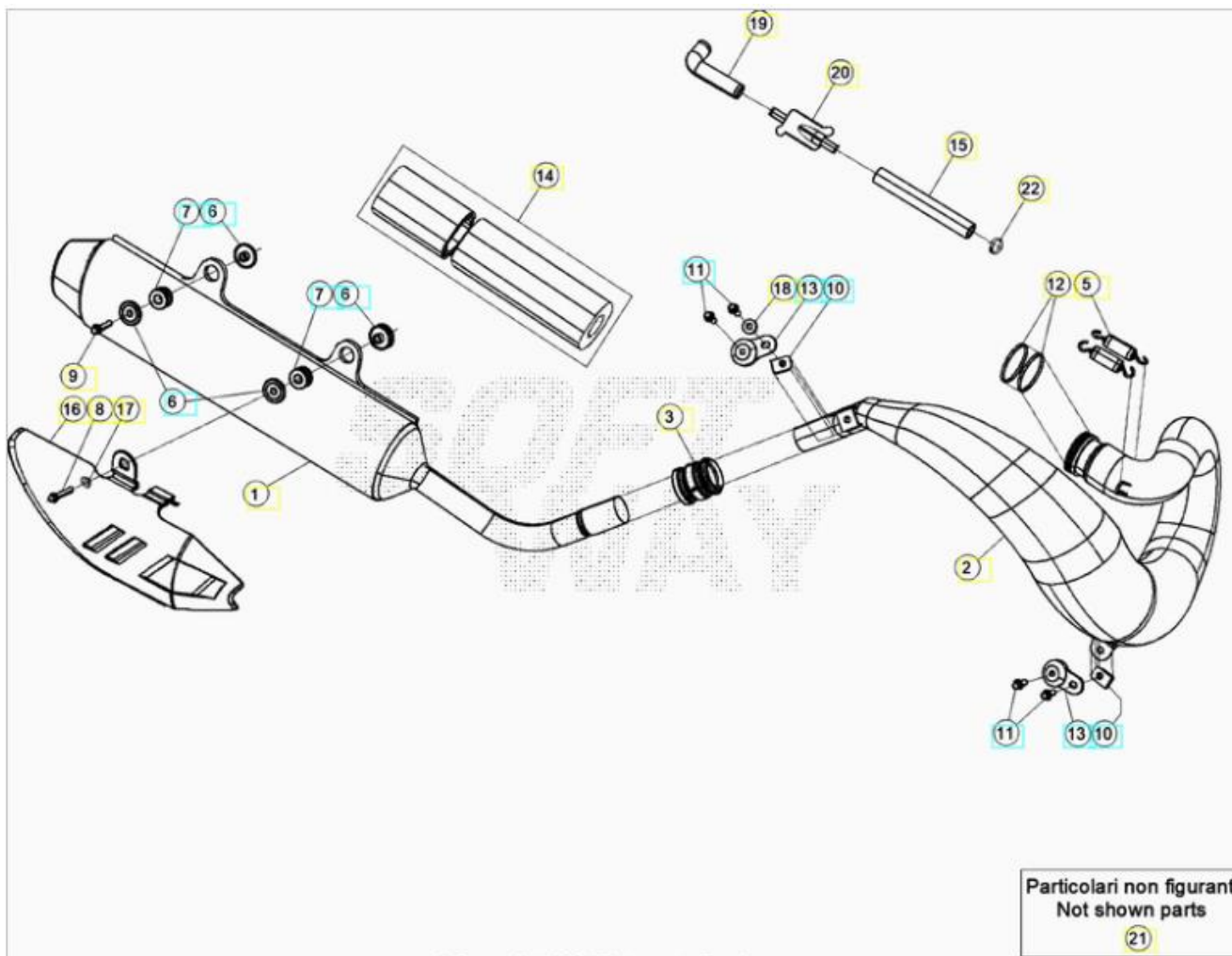
BETA consiglia:
BETA recommends:
BETA empfiehlt:
BETA recommande:
BETA recomienda:

BRAKE FLUID DOT 4
BRAKE FLUID DOT 5.1



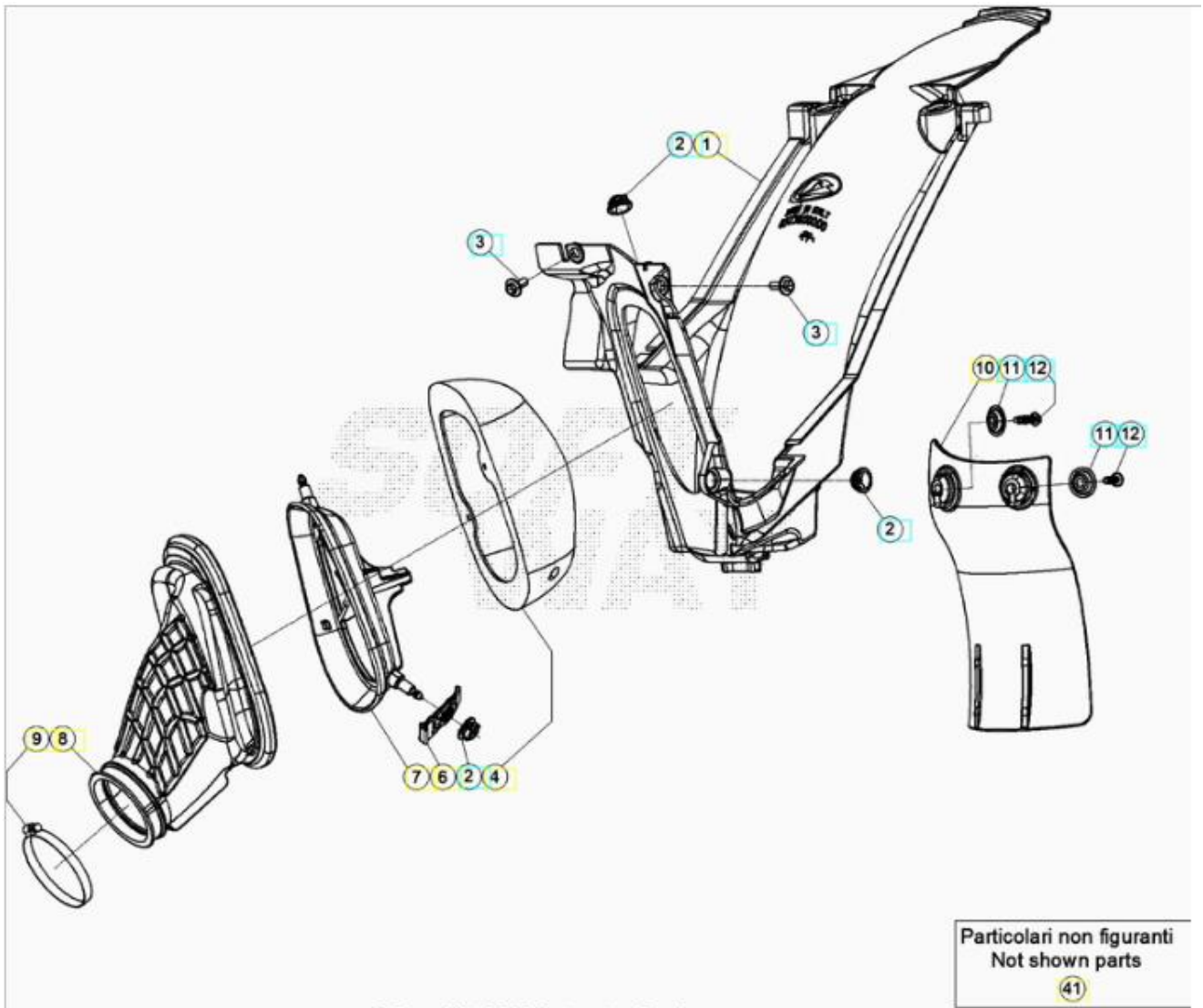
ORDER QTY	REF. NO.	PART NO.	HYDRALIC BRAKE SYSTEM DESCRIPTION	RR 2T 250
<input type="checkbox"/>	1	037.360048.000	FOOT BRAKE LEVER	1
<input type="checkbox"/>	2	25.03056.000	FRONT DISC BRAKE CALIPER, RR 4T	1
<input type="checkbox"/>	3	25.03066.000	REAR DISC BRAKE CALIPER, RR 4T	1
<input type="checkbox"/>	4	25.91178.000	PUMP, REAR BRAKE	1
<input type="checkbox"/>	5	22.90053.000	FOOTREST HUB, RR 4T	1
<input type="checkbox"/>	6	11.46251.000	BOLT 5,12	1
<input type="checkbox"/>	7	22.48813.000	SPRING	1
<input type="checkbox"/>	8	29.09428.000	REAR BRAKE HOSE, RR 4T '07	1
<input type="checkbox"/>	9	037.360020.000	BRAKE HOSE	1
<input type="checkbox"/>	10	11.65053.000	RR4T BRAKE TUBE M10X25 BOLT	2
<input type="checkbox"/>	11	16.50510.000	GASKET 10.15.1 COPPER	3
<input type="checkbox"/>	12	25.24442.000	FAIR LEAD, 6/8	1
<input type="checkbox"/>	13	11.55510.000	BOLT 8.40	1
<input type="checkbox"/>	14	18.89621.000	STOP SWITCH, M10 X 1,25	1
<input type="checkbox"/>	15	C06010470000	BEARING 10X26X8 . 2RSH	1

	17	13.21060.000	NUT, M10X1,25 H.8.5 14MM SELF.LOCKI	1
	18	037.360010.000	SPECIAL BOLT M10X1,25X35	1
	19	25.41830.000	PIN	1
	20	12.81995.000	CLIP 2.15 INOX	1
	21	20.02717.000	PISTON & OIL SEAL KIT FOR PLIERS 25	1
	22	31.96821.000	PIN PLUG, FOR 2503056/2503066	2
	23	25.41860.000	PIN HANGER, FOR 25.03066.000	1
	24	28.91002.000	BREATHER PIPE	1
	25	25.25362.000	BRAKE PADS	1
	26	020.360110.000	REAR BRAKE CALIPER BRACKET ASSY	1
	27	22.32208.000	BRAKE PADS SPRING FOR PLIERS	1
	28	020.360120.000	FRONT BRAKE CALIPER BRACKET ASSY	1
	29	25.25361.000	S/S TO 25.25365.000	1
	29	25.25365.000	FR BRAKE PADS	1
	30	22.32207.000	BRAKE PADS SPRING FOR PLIERS	1
	31	25.41859.000	PIN HANGER, FOR 25.03056.000	1
	33	20.02716.000	PISTON & OIL SEAL KIT FOR PLIERS 25	1
	34	28.91001.000	BREATHER PIPE	1
	35	20.08276.000	KIT PISTON, BRAKE PUMP 25.91178	1
	36	31.30750.000	SCREW 6.16	1
	37	20.08277.000	KIT LEVER, BRAKE PUMP 25.91178	1
	38	20.08275.000	KIT, BRAKE PUMP TANK 25.91178	1
	40	036.360020.000	BUSHING	1
	41	036.360030.000	BUSHING	1
	42	036.360068.200	FRONT BUSHING KIT	1
	43	036.360040.000	BUSHING	1
	44	036.360050.000	BUSHING	1
	45	036.360078.200	REAR BUSHING KIT	1

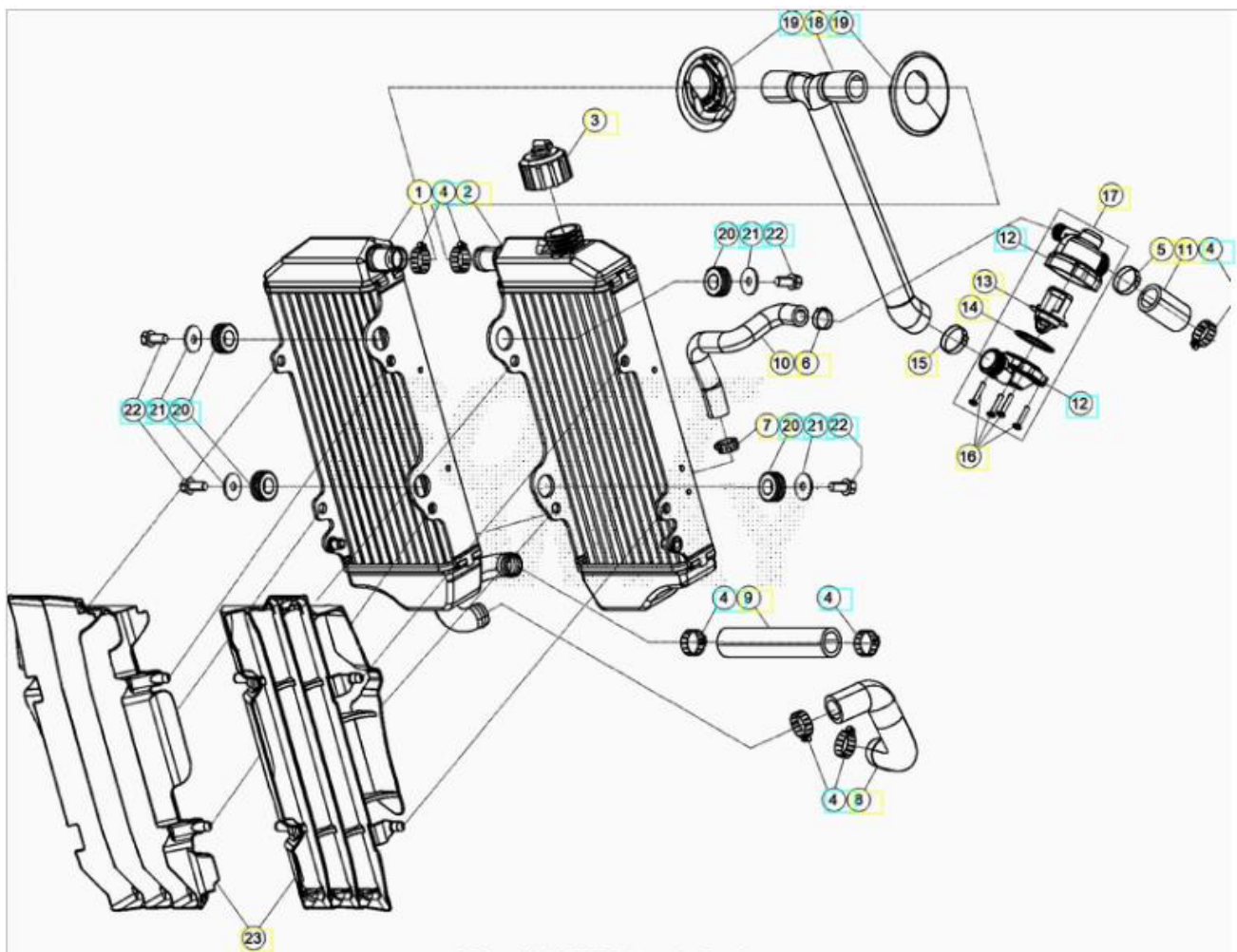


ORDER QTY	REF. NO.	PART NO.	EXHAUST SYSTEM DESCRIPTION	RR 2T 250
<input type="checkbox"/>	1	040.370008.000	SILENCER	1
<input type="checkbox"/>	2	026.370230.000	EXHAUST MANIFOLD	1
<input type="checkbox"/>	3	026.371030.000	EXHAUST GASKET	1
<input type="checkbox"/>	5	026.370050.000	SPRING, EXAUST PIPE RR 2T	1
<input type="checkbox"/>	6	026.370060.000	SPACER	3
<input type="checkbox"/>	7	032.370130.000	EXHAUST PIPE SILENT BLOCK	2
<input type="checkbox"/>	8	11.50355.000	BOLT 6.35 RS CH8	1
<input type="checkbox"/>	9	11.50300.000	BOLT 6.30 RS CH8	1
<input type="checkbox"/>	10	25.60311.000	M6 SCREW PLATE	2
<input type="checkbox"/>	11	11.48025.000	BOLT 6.16	2
<input type="checkbox"/>	12	10.66930.000	OIL SEAL OR 43,00.3,00	1
<input type="checkbox"/>	13	28.91943.000	SILENT.BLOCK	2
<input type="checkbox"/>	14	026.370078.200	KIT FOR SILENCER OVERHAULING	1
<input type="checkbox"/>	15	29.15858.000	TUBE	1
<input type="checkbox"/>	16	040.370028.259	SILENCER GUARD BLACK RR 2T	1
<input type="checkbox"/>	17	13.54841.000	SPACER 6,5/10,0/16,0 . 4,3	1
<input type="checkbox"/>	18	27.42000.000	WASHER 6.18	1
<input type="checkbox"/>	19	29.15852.000	TUBE "AIS"	1

<input type="checkbox"/>	20	31.15070.000	AIR VALVE	1
<input type="checkbox"/>	21	026.370168.000	EXHAUST MANIFOLD	1
<input type="checkbox"/>	22	10.67470.000	RING	1



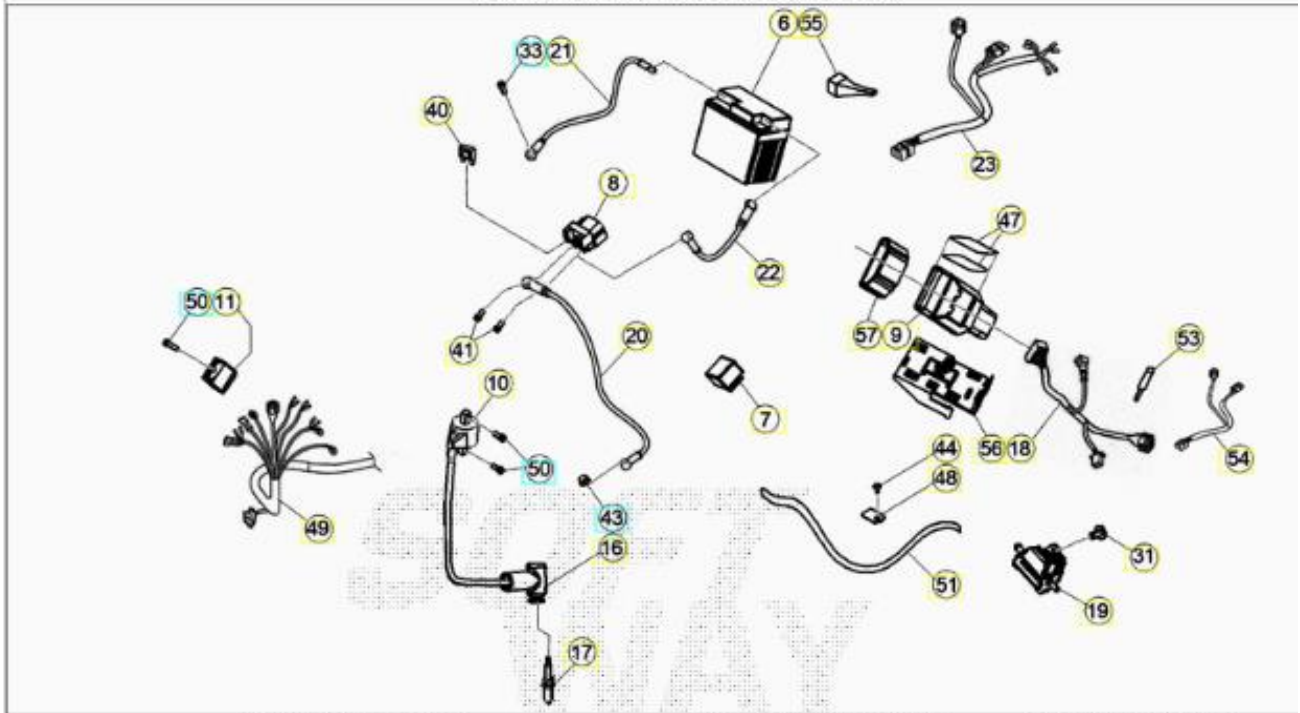
ORDER QTY	REF. NO.	PART NO.	AIR BOX DESCRIPTION	RR 2T 250
<input type="checkbox"/>	1	037.380008.759	AIRBOX BLACK RR	1
<input type="checkbox"/>	2	037.380030.000	INSERT 2T	3
<input type="checkbox"/>	3	037.430290.000	SPECIAL BOLT M6X12	2
<input type="checkbox"/>	4	037.380028.200	AIR FILTER	1
<input type="checkbox"/>	6	037.380060.059	AIR BOX BRACKET BLACK RR	1
<input type="checkbox"/>	7	037.380010.000	AIR FILTER CAGE 2T	1
<input type="checkbox"/>	8	040.380000.000	AIRBOX SLEEVE RR 2T	1
<input type="checkbox"/>	9	15.14272.000	CLAMP	1
<input type="checkbox"/>	10	026.380071.059	PROTECTION REAR SHOCK	1
<input type="checkbox"/>	11	27.74786.000	WASHER	2
<input type="checkbox"/>	12	31.30815.000	SCREW 6.20	2
<input type="checkbox"/>	41	040.380028.200	NOT AVAILABLE.	1



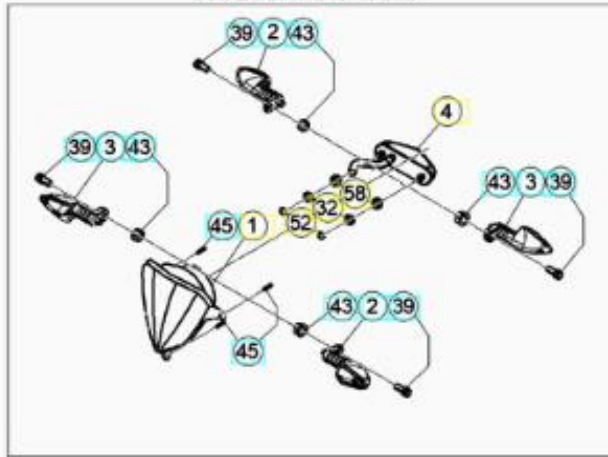
ORDER QTY	REF. NO.	PART NO.	COOLING SYSTEM DESCRIPTION	RR 2T 250
<input type="checkbox"/>	1	040.390180.000	RADIATOR RR 2T *CAN USE 040.390010.000	1
<input type="checkbox"/>	2	040.390190.000	RADIATOR 2T	1
<input type="checkbox"/>	3	036.390080.000	RADIATOR CAP	1
<input type="checkbox"/>	4	15.15240.000	CLAMP 16/27	5
<input type="checkbox"/>	5	C07160050000	CLAMP D.25	1
<input type="checkbox"/>	6	020.390090.000	SELF LOCKING CLAMP, 17	1
<input type="checkbox"/>	7	15.15220.000	CLAMP	1
<input type="checkbox"/>	8	026.390060.000	WATER PUMP PIPE	1
<input type="checkbox"/>	9	040.390070.000	WATER HOSE RR 2T	1
<input type="checkbox"/>	10	040.390080.000	WATER HOSE RR 2T	1
<input type="checkbox"/>	11	041.390020.000	WATER HOSE RR 2T 200	1
<input type="checkbox"/>	12	037.390060.000	THERMOSTAT CASE RR	2
<input type="checkbox"/>	13	026.390130.000	TERMOSTAT RR TS	1
<input type="checkbox"/>	14	10.66830.000	O.RING	1
<input type="checkbox"/>	15	C07160070000	TIE WRAP D26	1
<input type="checkbox"/>	16	031.390175.000	SCREW	1
<input type="checkbox"/>	17	040.390038.000	THERMOSTAT RR 2T	1
<input type="checkbox"/>	18	040.390040.000	THERMOSTAT HOSE RR 2T	1

<input type="checkbox"/>	19	037.390150.000	CAP	2
<input type="checkbox"/>	20	035.390060.000	SILENT BLOCK	3
<input type="checkbox"/>	21	27.43250.000	WASHER 6.24	3
<input type="checkbox"/>	22	11.47015.000	BOLT 6.12 RS CH8	3
<input type="checkbox"/>	23	037.390030.051	RADIATOR LOUVER PAIR WHITE RR	1

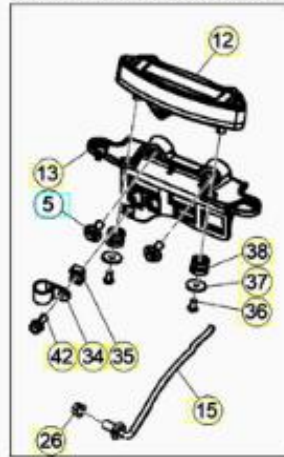
GR. COMPONENTI ELETTRICI/CABLAGGI



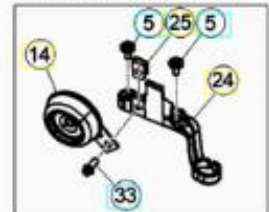
GR. LUCI/INDICATORI



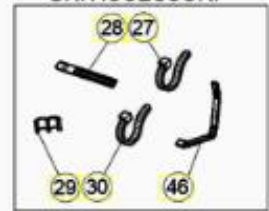
GR. STRUMENTAZIONE



GR. AVV. ACUSTICO



GR. ACCESSORI



ORDER QTY	REF. NO.	PART NO.	ELECTRICAL EQUIPMENT DESCRIPTION	RR 2T 250
<input type="checkbox"/>	1	031.400060.000	HEADLIGHT, RR 4T '08	1
<input type="checkbox"/>	2	020.400610.000	BLINKER LF/RR	2
<input type="checkbox"/>	3	020.400600.000	BLINKER RF/LR	2
<input type="checkbox"/>	4	037.400630.000	TAIL LIGHT	1
<input type="checkbox"/>	5	037.430280.000	SPECIAL BOLT M6X8	3

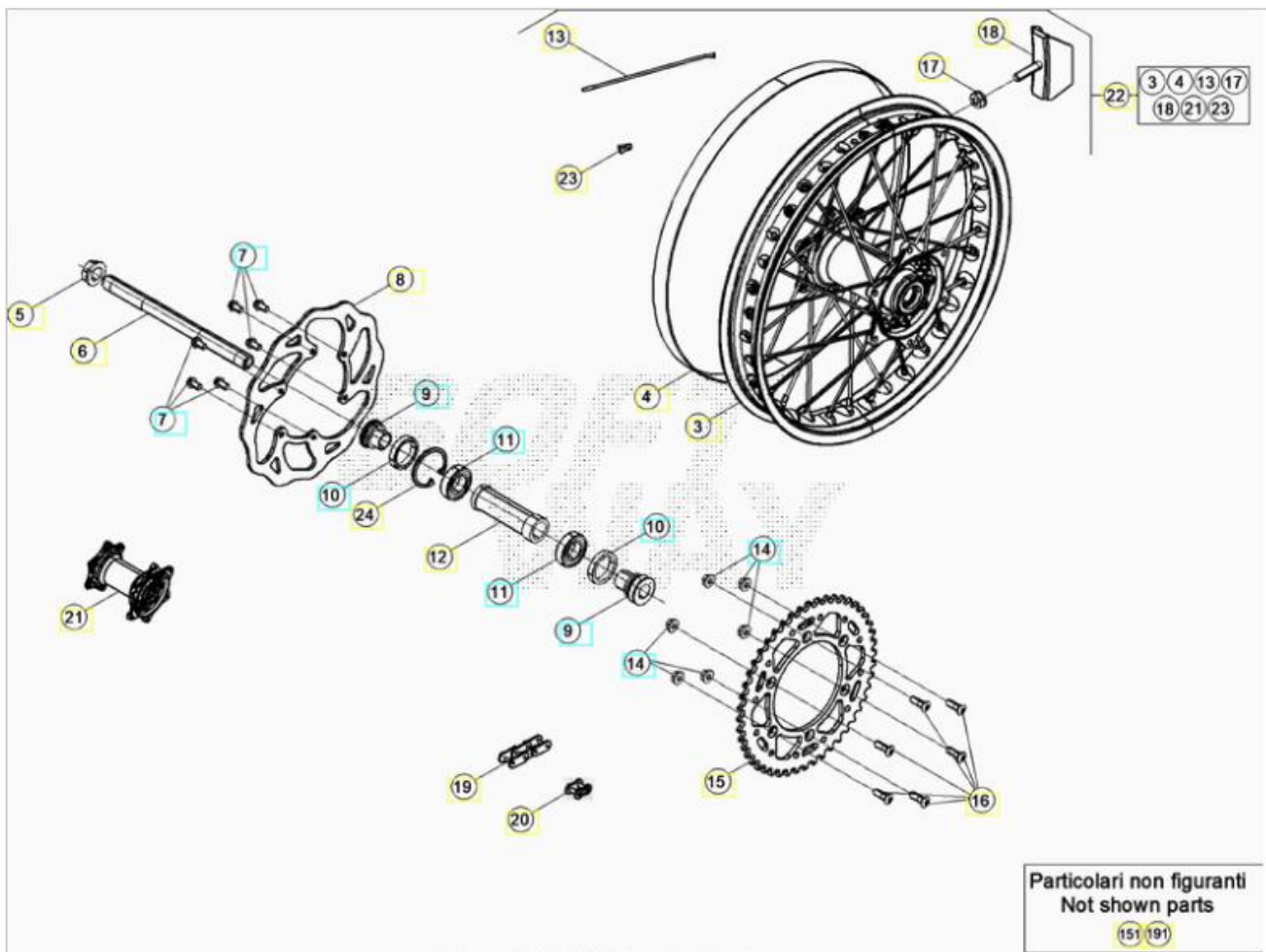
	6	031.401240.000	MBTZ7S . 7AH	1
	7	18.84948.000	FLASHING DEVICE	1
	8	27.28471.000	RELAIS, STARTING	1
	9	040.400078.200	CDI, 250RR	1
	10	006.400108.000	INGNITION COIL RR 4T MY'10	1
	11	27.28101.000	RECTIFIER	1
	12	040.400040.000	DIGITAL DASHBOARD RR 2T	1
	13	037.400010.000	DASHBOARD BRACKET RR	1
	14	007.400500.000	HORN	1
	15	031.401660.000	REED SENSOR	1
	16	27.13514.000	SPARK PLUG PROTECTOR CR65.2001	1
	17	12.25123.000	SPARKPLUG, BR8ECM	1
	18	040.400000.000	MAIN WIRING HARNESS RR 2T	1
	19	026.400170.000	OIL PUMP	1
	20	040.400020.000	RELAY WIRING HARNESS RR 2T	1
	21	020.400020.000	RR4T MY'10 GROUND WIRING SYSTEM	1
	22	037.400070.000	RELAY WIRING HARNESS	1
	23	040.400060.000	SECONDARY WIRING HARNESS RR 2T	1
	24	037.400230.059	HORN BRACKET BLACK RR	1
	25	25.60311.000	M6 SCREW PLATE	1
	26	13.17121.000	NUT M8, SPECIAL CH.10	1
	27	037.400260.000	TIE WRAP	1
	28	032.350490.000	TIE WRAP	1
	29	25.24443.000	FAIR LEAD, 6/6	1
	30	15.14264.000	TIE WRAP	1
	31	31.95510.000	SCREW 6X12 TBCE	1
	32	043.400150.000	SPACER	1
	33	11.46501.000	BOLT 6.10	2
	34	25.25182.000	CLAMP "NYLPAS016R"	1
	35	037.400300.000	DISCONTINUED	1
	36	31.73000.000	SCREW 4.8	1
	37	27.34800.000	WASHER 4.16	1
	38	031.400130.000	RUBBER BUFFER	1
	39	11.48025.000	BOLT 6.16	4
	40	020.400060.000	10/32V FUSE	1
	41	31.30190.000	SCREW 6.8	1
	42	11.46251.000	BOLT 5,12	1

	43	13.12550.000	NUT M6	5
	44	31.23360.000	SCREW 4.10	1
	45	31.26190.000	SCREW 4.12	2
	46	037.430430.000	BATTERY RUBBER BAND	1
	47	29.10317.000	RUBBER, BUMBER RR 4T	1
	48	029.070250.000	STARTER GEAR PLATE	1
	49	040.400190.000	SECONDARY WIRING FRONT RR 2T	1
	50	11.49070.000	BOLT 6.20	2
	51	026.430270.000	OIL TUBE	1
	52	13.10910.000	SELF.BLOCKING NUT 4	1
	53	037.400220.000	CAPACITOR	1
	54	026.400570.000	DIAGNOSIS WIRING	1
	55	031.400520.000	DIODE	1
	56	040.400010.000	ECU BRACKET RR.S 2T	1
	57	007.400810.000	ECU RUBBER BAND	1
	58	16.34903.000	RUBBER	1



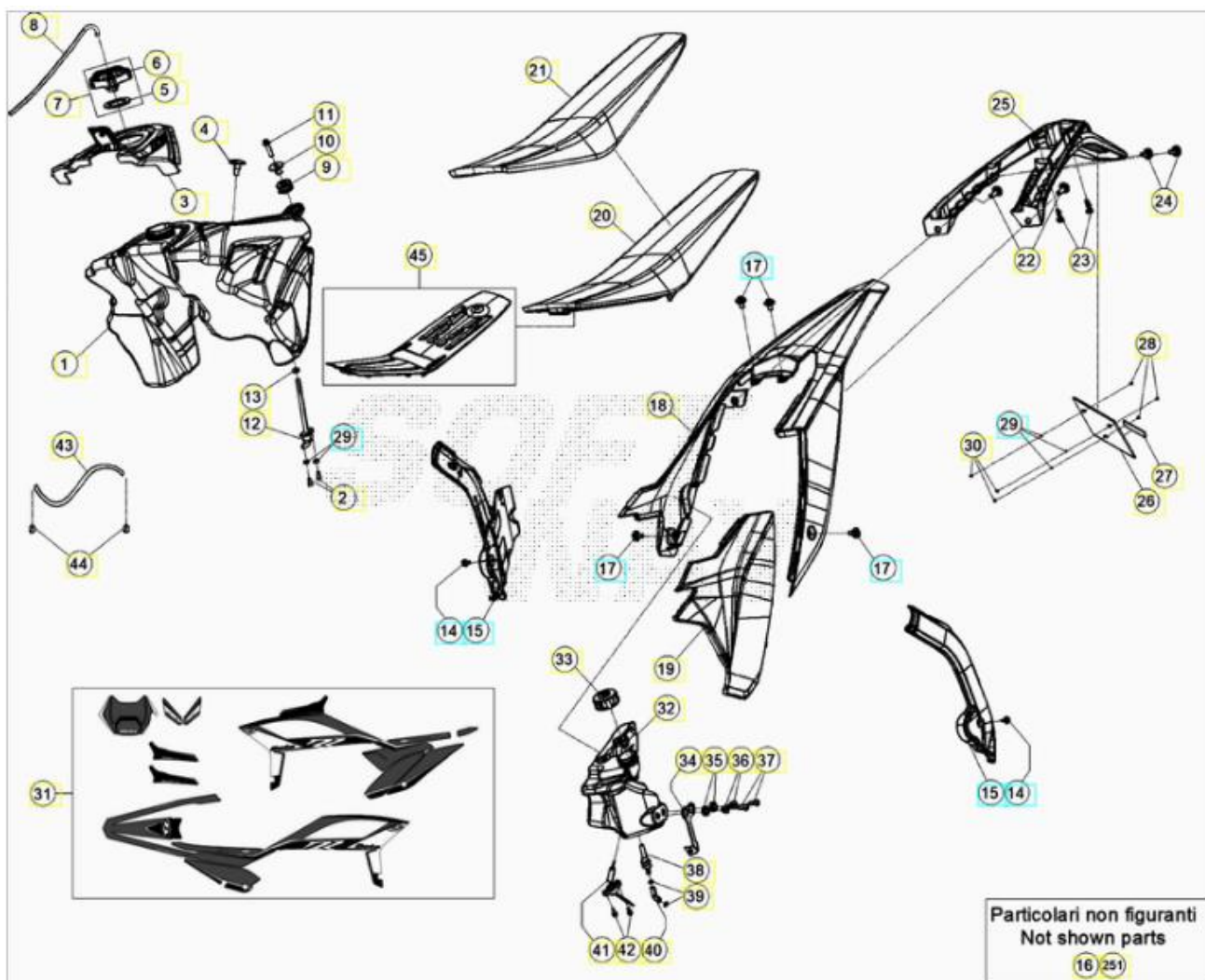
ORDER QTY	REF. NO.	PART NO.	WHEEL . FRONT DESCRIPTION	RR 2T 250
<input type="checkbox"/>	1	031.410460.059	FRONT RIM	2
<input type="checkbox"/>	2	15.38200.000	BEAD 21.25	2
<input type="checkbox"/>	5	031.410300.000	FRONT BRAKE DISC	1
<input type="checkbox"/>	6	020.410070.000	PLUG, FRONT WHEEL SPINDLE RR 4T MY'	1
<input type="checkbox"/>	7	031.410040.000	HUB SPACER, RR 4T	2
<input type="checkbox"/>	8	10.66000.000	SEAL 35.47.7	2
<input type="checkbox"/>	9	020.410030.000	BEARING 30.47.9	2
<input type="checkbox"/>	10	020.410050.000	FRONT WHEEL SPINDLE, RR 4T MY'11	1
<input type="checkbox"/>	11	031.410150.000	INNER SPACER	1
<input type="checkbox"/>	12	020.411100.000	PLUG	1
<input type="checkbox"/>	13	020.410060.000	PLUG, FRONT WHEEL SPINDLE RR 4T MY'	1
<input type="checkbox"/>	14	031.410160.000	DISC SPEC. SCREW 6X14	1

<input type="checkbox"/>	15	28.22660.000	SEEGER 9E	1
<input type="checkbox"/>	16	021.410050.000	MAGNETE, HALL SENSOR	1
<input type="checkbox"/>	17	031.410500.000	NIPPLE	2
<input type="checkbox"/>	18	031.410490.052	SPOKE	2
<input type="checkbox"/>	19	27.58080.000	WASHER 9 . 13 . 0,4	1
<input type="checkbox"/>	20	036.410100.000	RIM LOCK	2
<input type="checkbox"/>	21	13.17120.000	NUT M8	2
<input type="checkbox"/>	22	026.410010.059	FR WHEEL ASSY	1
<input type="checkbox"/>	23	031.410148.000	FRONT HUB, RR 4T	2
<input type="checkbox"/>	24	C01260010000	CIRCLIP 47X1.75	1



ORDER QTY	REF. NO.	PART NO.	WHEEL . REAR DESCRIPTION	RR 2T 250
<input type="checkbox"/>	3	031.420340.059	REAR RIM	2
<input type="checkbox"/>	4	15.36000.000	BEAD 17/18.25	2
<input type="checkbox"/>	5	13.27120.000	SPECIAL NUT	1
<input type="checkbox"/>	6	25.55812.000	REAR WHEEL SPINDLE, RR 4T	1
<input type="checkbox"/>	7	031.410160.000	DISC SPEC. SCREW 6X14	2
<input type="checkbox"/>	8	031.420300.000	BRAKE DISC	1
<input type="checkbox"/>	9	031.420020.000	REAR HUB SPACER, RR 4T	2

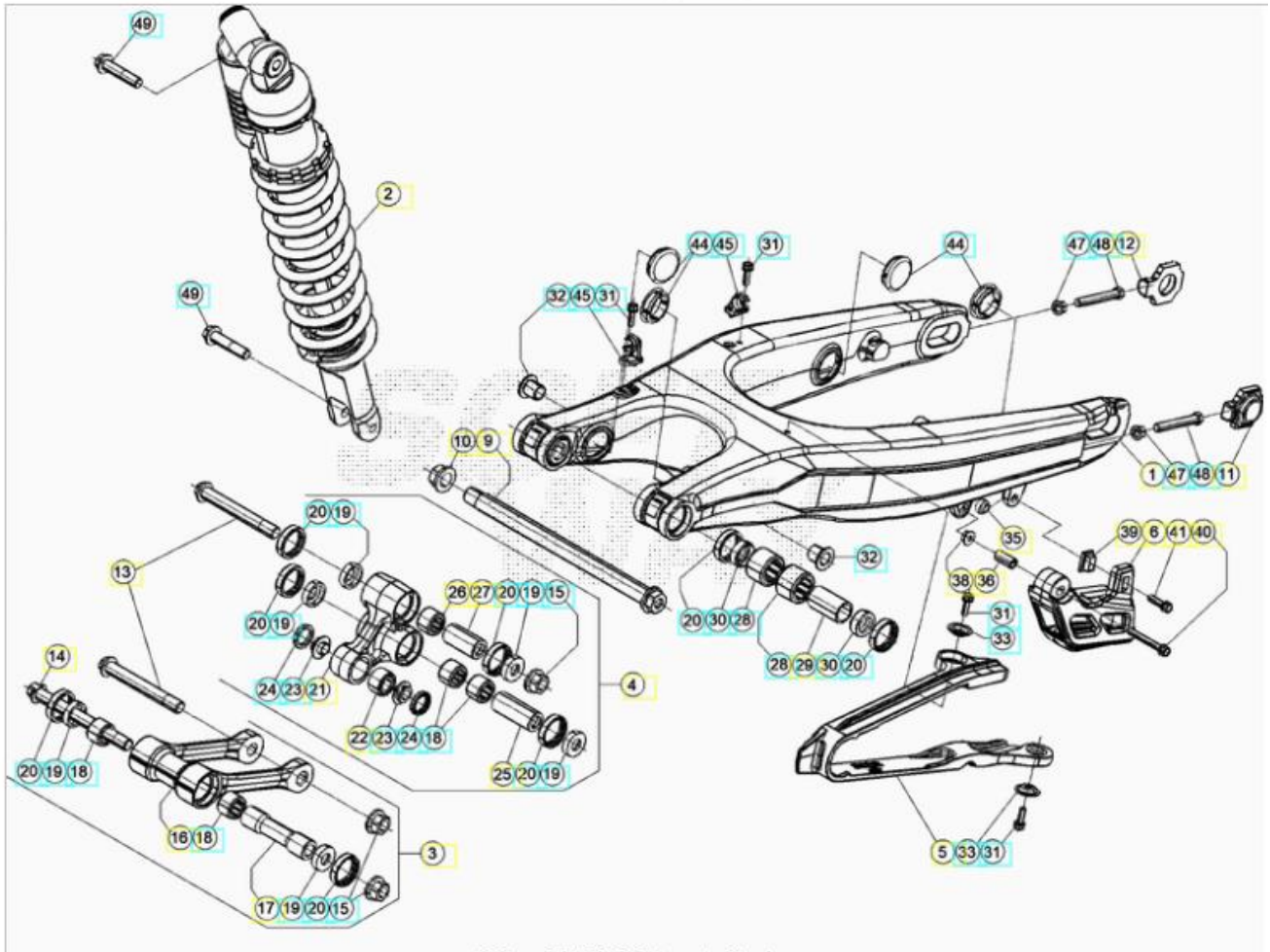
	10	10.66000.000	SEAL 35.47.7	2
	11	020.420040.000	BEARING 25.47.12	2
	12	031.420050.000	INNER SPACER	1
	13	031.420370.052	REAR SPOKES	2
	14	13.17123.000	NUT M8, (DIN 6927)	2
	16	31.96827.000	SCREW, SPEC. TGS TORXS M8X26	1
	17	13.17120.000	NUT M8	2
	18	036.420090.000	RIM LOCK	2
	19	035.420020.000	CHAIN	1
	20	031.420080.000	CONNECTING LINK	1
	21	031.420148.000	REAR HUB, RR4T	2
	22	026.420080.059	REAR WHEEL ASSY	1
	23	031.420510.000	NIPPLE	2
	24	C01260010000	CIRCLIP 47X1.75	1
	151	026.420130.000	REAR SPROCKET, Z.42	1
	191	12.08204.000	CHAIN, 5/8.1/4 P.112	1



ORDER QTY	REF. NO.	PART NO.	FAIRING . TANK . SEAT DESCRIPTION	RR 2T 250
-----------	----------	----------	-----------------------------------	-----------

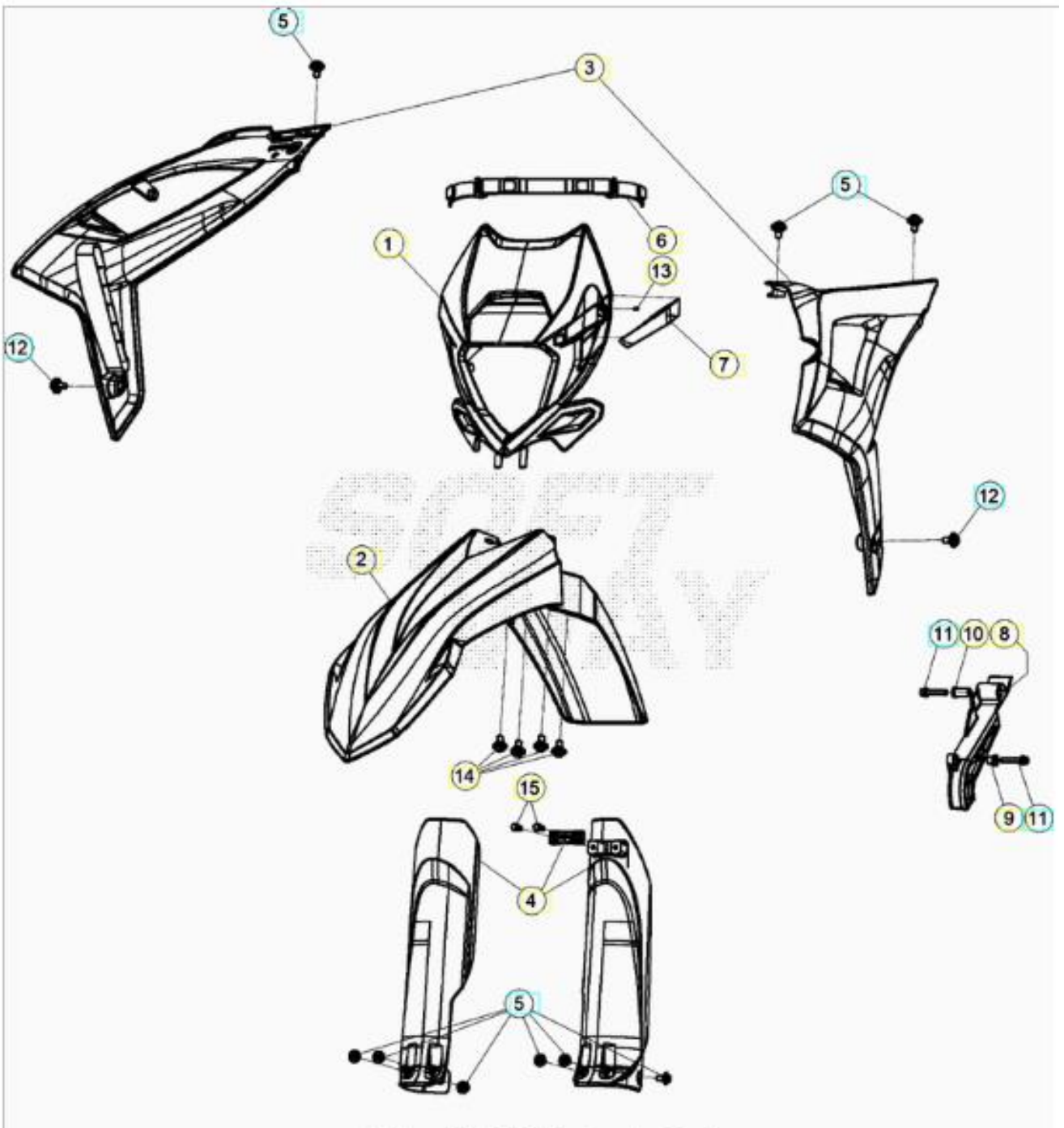
	1	040.430000.051	FUEL TANK WHITE RR 2T	1
	2	31.29810.000	SCREW 5.12	1
	3	037.430060.097	TANK COVER RED RR	1
	4	31.89010.000	SPECIAL SCREW	1
	5	031.431160.000	CAP GASKET	1
	6	036.430418.000	FILLER CAP	1
	8	020.430030.000	EXHAUST TUBE PLUG/VALVE RR 4T MY'10	1
	9	032.370130.000	EXHAUST PIPE SILENT BLOCK	1
	10	020.430020.000	SPACER, FUEL TANK RR 4T MY'10	1
	11	11.50300.000	BOLT 6.30 RS CH8	1
	12	020.430070.000	PETCOCK, RR 4T MY'10	1
	13	026.430340.000	OIL SEAL	1
	14	C24310460000	SCREW M5X8 8.8 DIN6921	2
	15	037.430780.059	FRAME GUARD . PAIR BLACK RR	2
	16	041.430088.200	ACTIVATED CARBON FILTER BOX . KIT 2T	1
	17	037.430280.000	SPECIAL BOLT M6X8	3
	18	037.430078.797	REAR FENDER RED RR	1
	19	037.430058.797	SIDE PANEL RED RR	1
	20	037.431060.000	NO DESCRIPTION	1
	21	037.431070.000	SEAT COVER RR	1
	22	037.430300.000	SPECIAL BOLT M6X16	1
	23	31.79960.000	SCREW, 6X15	1
	24	037.430290.000	SPECIAL BOLT M6X12	1
	25	037.431120.059	LICENSE PLATE HOLDER BLACK RR	1
	26	018.430101.059	DISCONTINUED . EURO ONLY	1
	27	12.33086.000	DISCONTINUED	1
	28	31.29860.000	SCREW 5.16	1
	29	27.36000.000	WASHER 5.11	2
	30	13.11010.000	NUT 5, SELF.BLOCKING NUT 5	1
	31	037.431088.200	DECALS . FULL SET	1
	32	040.430010.051	OIL TANK RR 2T	1
	33	040.430040.000	OIL TANK CAP	1
	34	040.430020.000	BRACKET	1
	35	28.91880.000	SILENT.BLOCK	1
	36	13.62000.000	SPACER	1
	37	31.30470.000	SCREW 6.14	1
	38	036.430170.000	JOINT	1

<input type="checkbox"/>	39	C07160060000	TIE WRAP D9	1
<input type="checkbox"/>	40	036.430220.000	OIL LINE	1
<input type="checkbox"/>	41	040.400050.000	LEVEL SENSOR	1
<input type="checkbox"/>	42	11.47015.000	BOLT 6.12 RS CH8	1
<input type="checkbox"/>	43	026.430050.000	GASOLINE TUBE TANK/CARBUR. RR 2T	1
<input type="checkbox"/>	44	C07080080000	RING CE 12	1
<input type="checkbox"/>	45	037.430848.000	SEAT PAN	1
<input type="checkbox"/>	251	037.431138.059	NO DESCRIPTION	1



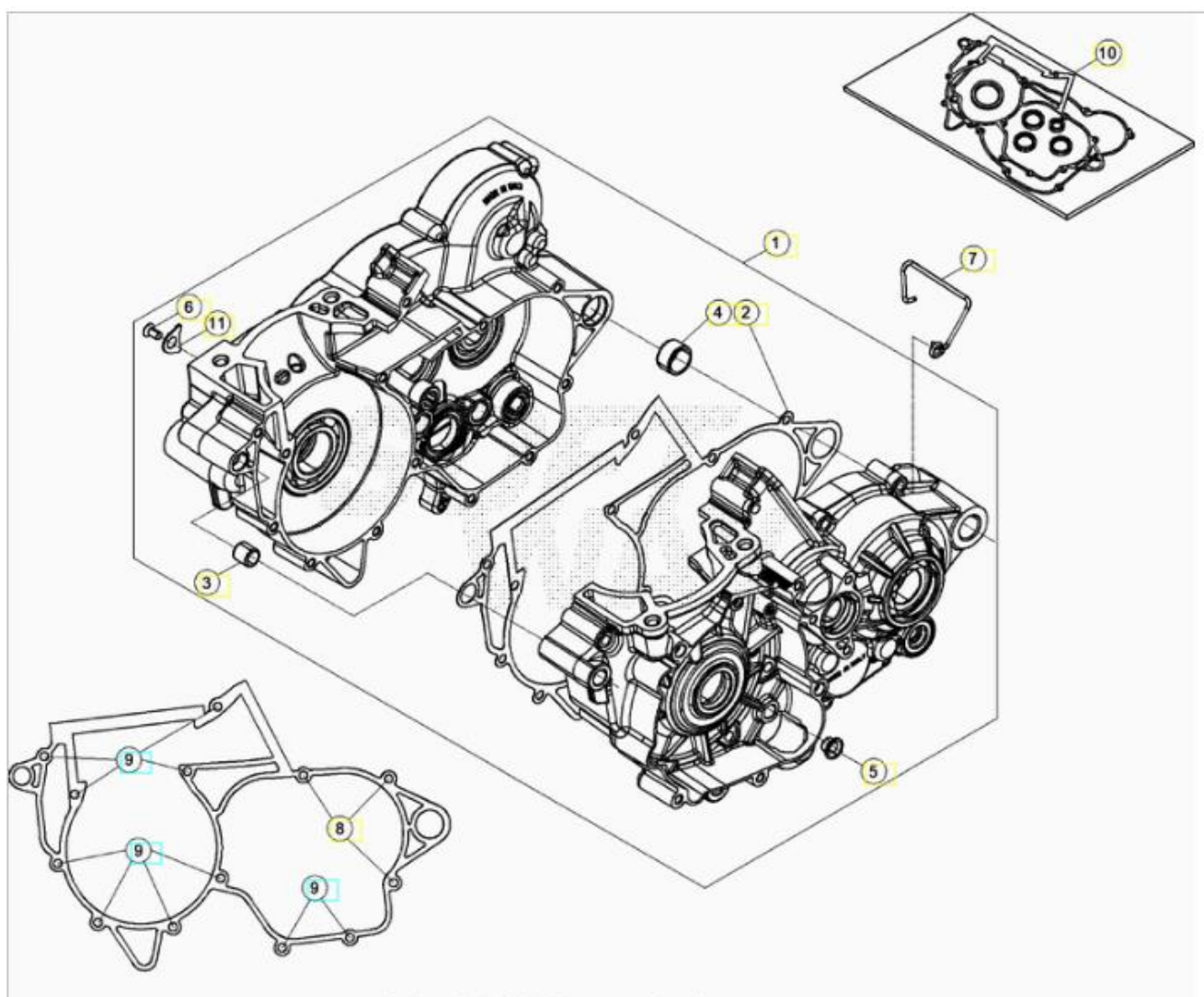
ORDER QTY	REF. NO.	PART NO.	REAR FORK DESCRIPTION	RR 2T 250
<input type="checkbox"/>	1	037.330030.059	SWINGARM BLACK RR	1
<input type="checkbox"/>	2	040.330088.000	SHOCK ABSORBER RR 2T	1
<input type="checkbox"/>	3	020.330308.000	CONNECTING ROD ASSY	1
<input type="checkbox"/>	4	020.330208.000	RELAY ARM ASSY	1
<input type="checkbox"/>	5	037.330060.000	CHAIN SLIDING PROTECTION	1
<input type="checkbox"/>	6	037.330040.000	CHAIN GUIDE	1
<input type="checkbox"/>	9	037.330055.000	SWINGARM PIVOT BOLT	1
<input type="checkbox"/>	10	037.330085.000	NUT	1
<input type="checkbox"/>	11	29.11866.100	LEFT CHAIN TIGHTENER, RR 4T	1

	12	29.11865.100	RIGHT CHAIN TIGHTENER, RR 4T	1
	13	11.63992.000	BOLT 12 . 1,25 . 96	1
	14	020.330320.000	SPECIAL SCREW M12 X 1.25 X 124	1
	15	13.21130.000	SELF.BLOCKING NUT 12.1,25	2
	16	020.330300.000	CONNECTING ROD ASSY	1
	17	020.330310.000	SPACER, CONNECTING ROD	1
	18	11.22055.000	BEARING, 20 X 26 X 16 RR 4T	3
	19	28.14083.000	ROCKING LEVER CUP, RR 4T	6
	20	10.64481.000	OIL SEAL, 25X32X7	8
	21	020.330200.000	RELAY ARM MACHINED	1
	22	16.17310.000	SEAL 24.12.13	1
	23	11.21920.000	BUSH	2
	24	10.56020.000	OIL SEAL 16.24.4	2
	25	13.62813.000	SPACER, 12 X 20 X 50	1
	26	11.22061.000	SEAL, 20 X 26 X 30	1
	27	13.62812.000	SPACER, 12 X 20 X 40	1
	28	11.22056.000	ROLLER CAGE	2
	29	13.49183.000	SPACER, SWINGING ARM VEM	1
	30	28.14081.000	RR4T SWINGING ARM PART	2
	31	11.46251.000	BOLT 5,12	4
	32	020.330010.000	SWINGINGARM BUSH, RR 4T MY'10	2
	33	27.74786.000	WASHER	2
	35	13.12610.000	NUT, SPECIAL	1
	36	13.49191.000	SPACER	1
	38	13.13020.000	NUT 6, SELF.BLOCKING	1
	39	13.48868.000	SPACER	1
	40	11.50535.000	BOLT 6,45	1
	41	11.49070.000	BOLT 6.20	1
	44	29.10596.136	PLUG, PIVOT PINE SWING ARM (D.30)	2
	45	15.14605.000	CLAMP	2
	47	13.17122.000	NUT M8	2
	48	11.55909.000	BOLT 8.55	2
	49	11.62050.000	BOLT 10.45 1,25(10.9)	2

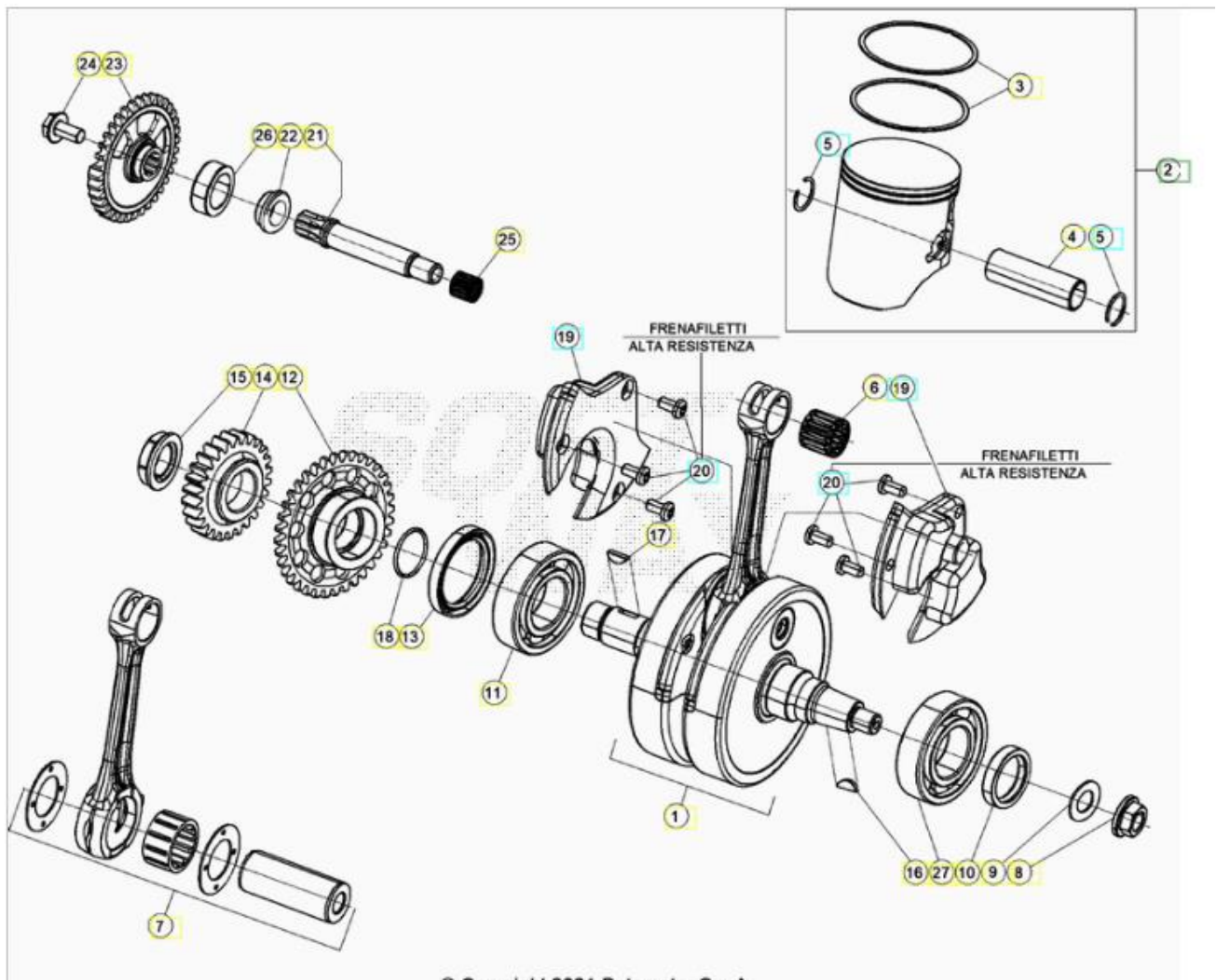


ORDER QTY	REF. NO.	PART NO.	MUDGUARDS DESCRIPTION	RR 2T 250
<input type="checkbox"/>	1	037.430080.097	HEADLIGHT MASK RED RR	1
<input type="checkbox"/>	2	037.430090.097	FRONT FENDER RED RR	1
<input type="checkbox"/>	3	037.430010.097	TANK PANEL . PAIR RED RR	1
<input type="checkbox"/>	4	040.430068.297	FORK TUBE COVER RED	1
<input type="checkbox"/>	5	037.430280.000	SPECIAL BOLT M6X8	3
<input type="checkbox"/>	6	037.430200.059	HEADLIGHT MASK RUBBER BAND	1
<input type="checkbox"/>	7	037.430170.097	FAIRLEAD RED RR	1
<input type="checkbox"/>	8	040.430050.059	PINION GUARD BLACK RR 2T	1
<input type="checkbox"/>	9	13.49190.000	SPACER	1
<input type="checkbox"/>	10	13.49189.000	SPACER	1
<input type="checkbox"/>	11	11.50300.000	BOLT 6.30 RS CH8	2

<input type="checkbox"/>	12	037.430300.000	SPECIAL BOLT M6X16	2
<input type="checkbox"/>	13	31.23580.000	PARKER SCREW 4,8.13	1
<input type="checkbox"/>	14	037.430290.000	SPECIAL BOLT M6X12	1
<input type="checkbox"/>	15	31.79960.000	SCREW, 6X15	1

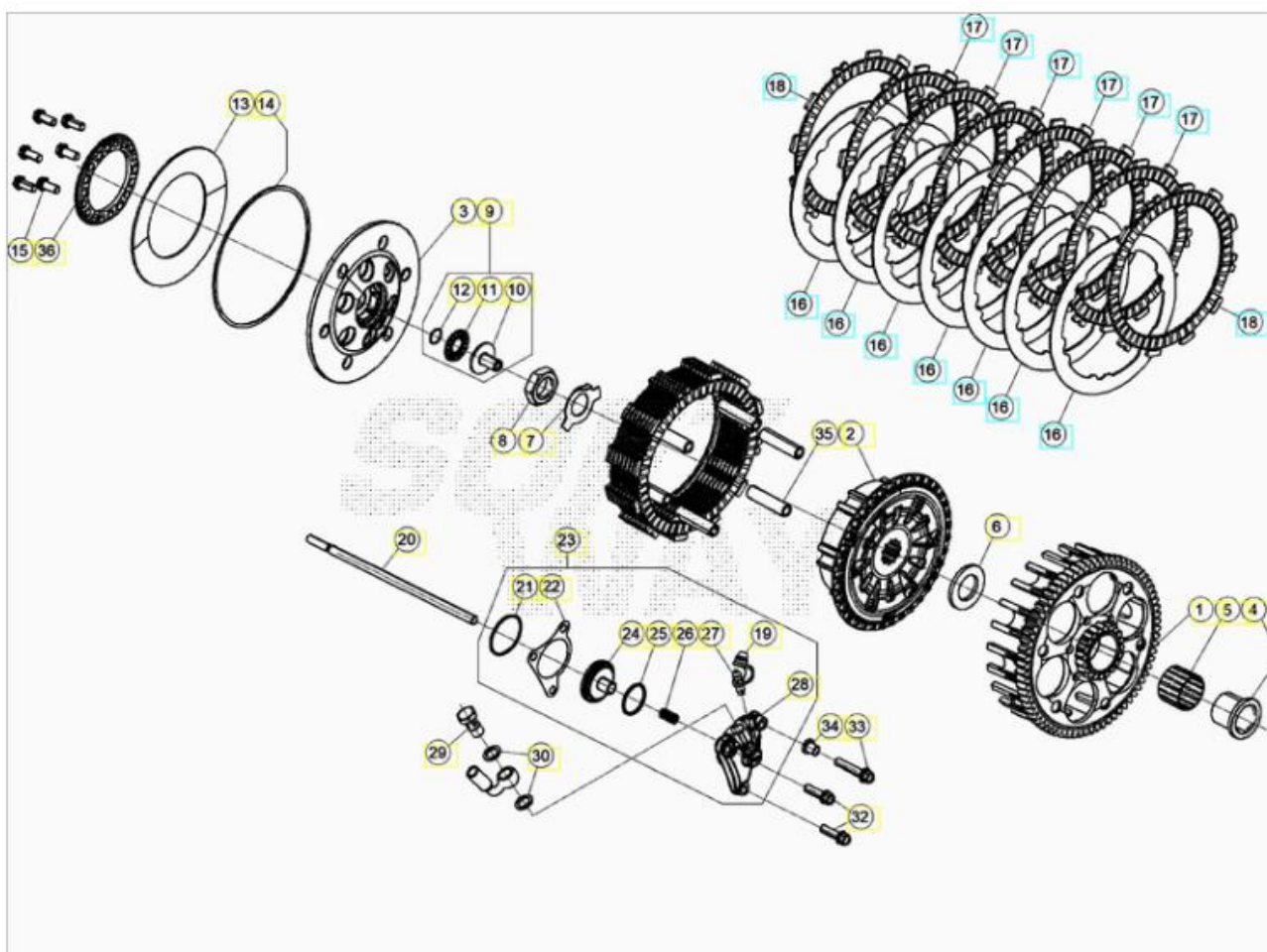


ORDER QTY	REF. NO.	PART NO.	CRANKCASE DESCRIPTION	RR 2T 250
<input type="checkbox"/>	1	026.010458.000	CRANKCASE ASSY.	1
<input type="checkbox"/>	2	026.010030.000	CRANKCASE GASKET	1
<input type="checkbox"/>	3	16.41500.000	DOWEL 10,5.13.13	1
<input type="checkbox"/>	4	006.010120.000	BUSH (BACK) 17.21.12	1
<input type="checkbox"/>	5	C03020010000	BUSH 8X10X8	1
<input type="checkbox"/>	6	C24900020000	SCREW TORX 6X12	1
<input type="checkbox"/>	7	006.010230.000	FAIR LEAD BREATHING TUBE MEM	1
<input type="checkbox"/>	8	11.50360.000	BOLT 6.40 RS CH8	1
<input type="checkbox"/>	9	11.05535.000	BOLT 6.50 RS CH8	3
<input type="checkbox"/>	10	036.010108.200	CRANKCASE GASKET KIT	1
<input type="checkbox"/>	11	006.010160.000	RETAINIG PLATE MAINBEARING	1



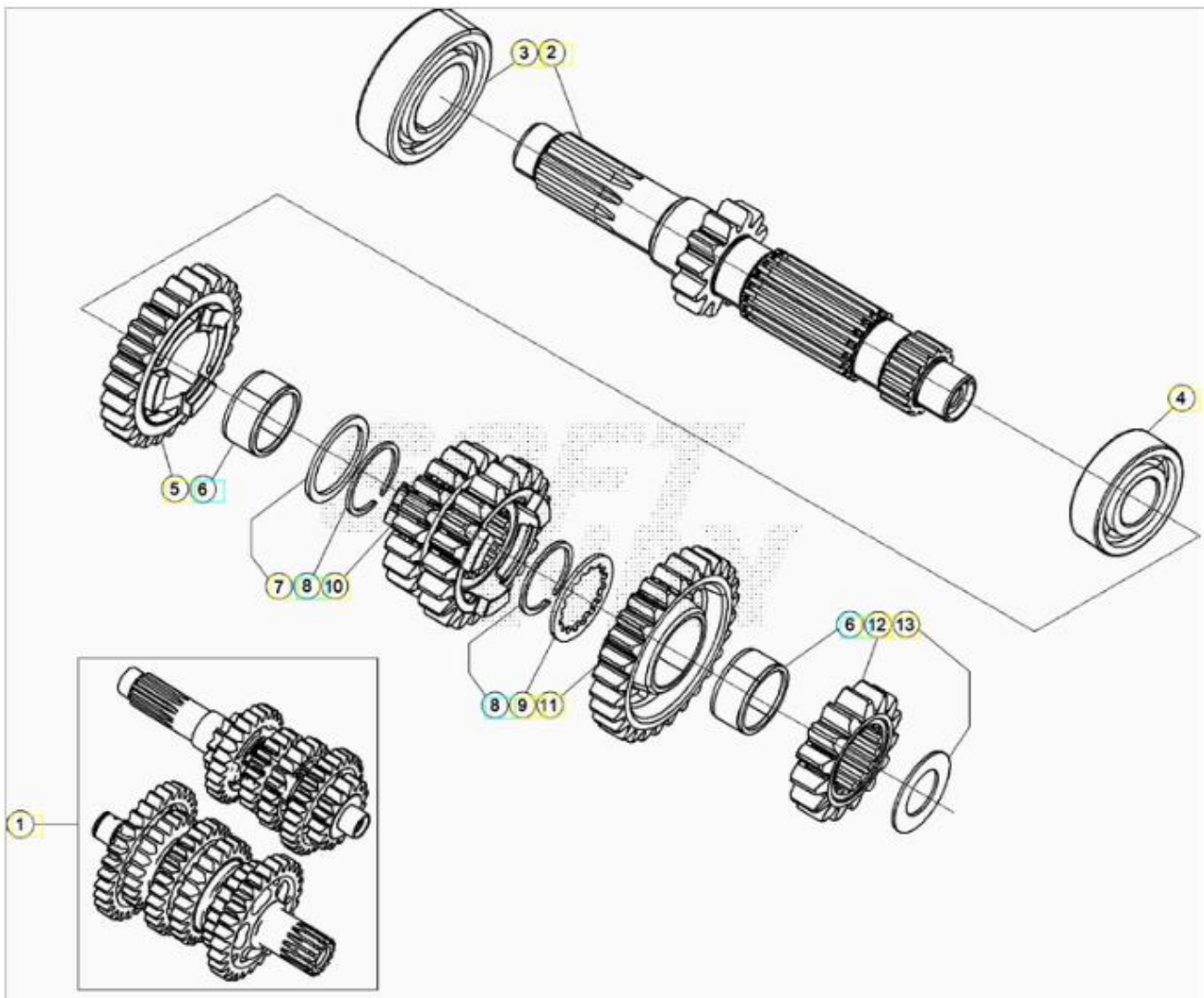
ORDER QTY	REF. NO.	PART NO.	CRANKSHAFT PISTON DESCRIPTION	RR 2T 250
<input type="checkbox"/>	1	026.020558.000	CRANKSHAFT	1
<input type="checkbox"/>	2	026.020628.00A	PISTON KIT 250CC, A	1
<input type="checkbox"/>	2	026.020628.00B	PISTON KIT 250CC, B	1
<input type="checkbox"/>	2	026.020628.00C	PISTON KIT 250CC, C	1
<input type="checkbox"/>	3	026.020250.000	PISTON RING, 250CC	1
<input type="checkbox"/>	4	026.020230.000	PIN	1
<input type="checkbox"/>	5	10.42600.000	CIRCLIP 18	2
<input type="checkbox"/>	6	16.16710.000	NEEDLE BEARING 18.22.20	1
<input type="checkbox"/>	7	026.020598.000	NO DESCRIPTION	1
<input type="checkbox"/>	8	13.25010.000	NUT, MAGNETO SPECIAL	1
<input type="checkbox"/>	9	27.74810.000	SPRING WASHER DIN137 B12 FST	1
<input type="checkbox"/>	10	C02010410000	OIL SEAL 25X35X7	1
<input type="checkbox"/>	11	C06010350000	BEARING	1
<input type="checkbox"/>	12	026.020520.000	DRIVE GEAR	1
<input type="checkbox"/>	13	C02010420000	OIL SEAL 38X52X7	1
<input type="checkbox"/>	14	026.030140.000	PINION GEAR Z27	1
<input type="checkbox"/>	15	006.030230.000	NUT M20X1,5LH (PRIMARY GEAR)	1

<input type="checkbox"/>	16	12.46020.000	KEY 3.5	1
<input type="checkbox"/>	17	12.46151.000	WOODRUFF, 4.5	1
<input type="checkbox"/>	18	10.66620.000	OIL SEAL	1
<input type="checkbox"/>	19	026.020480.000	CRANKSHAFT INSERT RR 2T	2
<input type="checkbox"/>	20	C24910020000	SCREW 6.12 TORX	2
<input type="checkbox"/>	21	026.020400.000	BALANCER SHAFT	1
<input type="checkbox"/>	22	026.020420.000	BUSHING	1
<input type="checkbox"/>	23	026.020070.000	BALANCE SHAFT GEAR	1
<input type="checkbox"/>	24	C24310440000	SCREW M8X16 DIN6921	1
<input type="checkbox"/>	25	11.22200.000	NEEDLE BEARING 12.18.12	1
<input type="checkbox"/>	26	12.98000.000	BALL BEARING 20.42.12	1
<input type="checkbox"/>	27	C06140230000	BEARING NJ206ET2XCS46	1

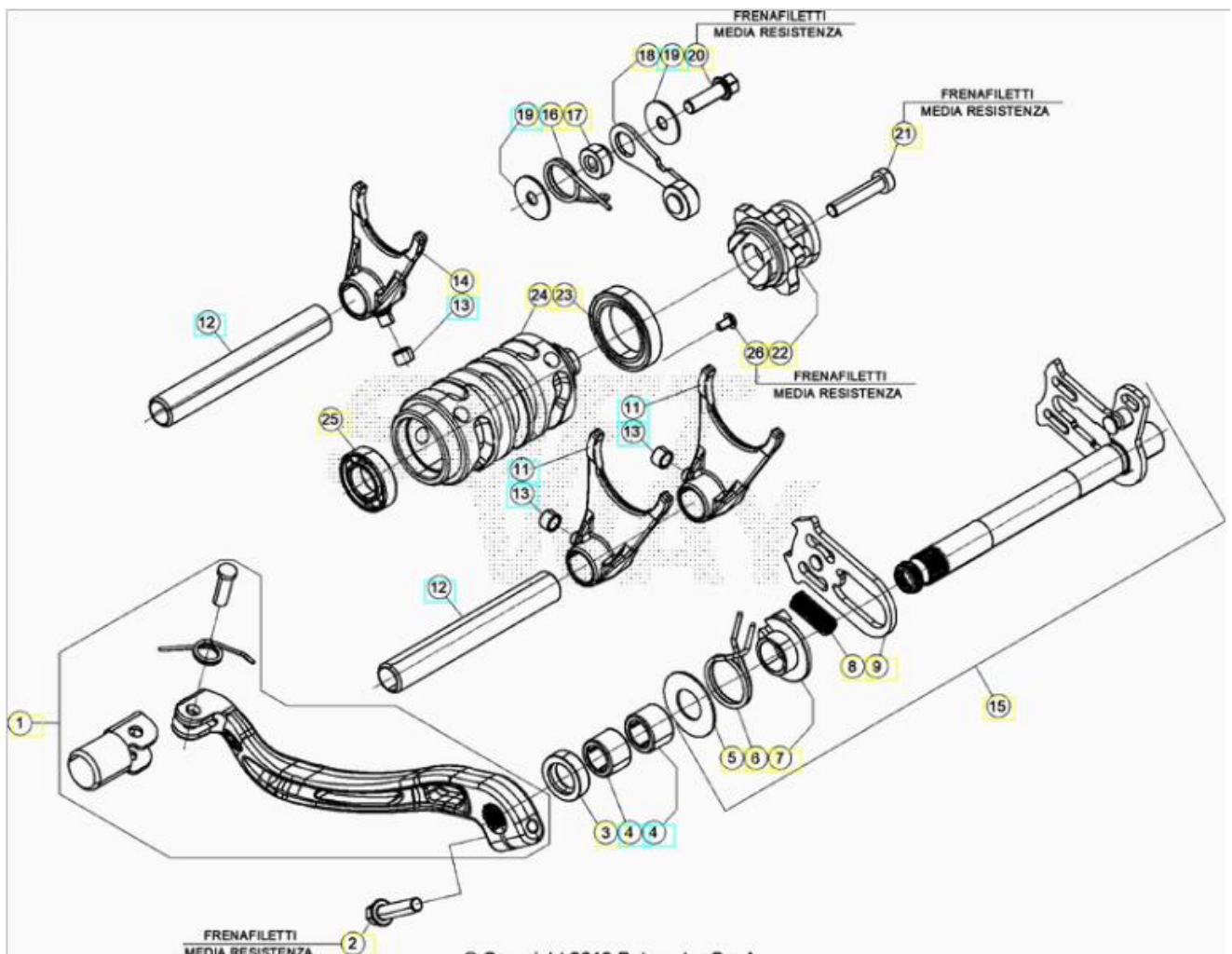


ORDER QTY	REF. NO.	PART NO.	CLUTCH DESCRIPTION	RR 2T 250
<input type="checkbox"/>	1	037.030000.000	PRIMARY DRIVEN GEARS Z72	1
<input type="checkbox"/>	2	029.031410.000	CLUTCH DRUM	1
<input type="checkbox"/>	3	037.030020.000	PRESSURE PLATE	1
<input type="checkbox"/>	4	026.030610.000	BUSH	1
<input type="checkbox"/>	5	006.030630.000	ROLLER BEARING 26.30.22	1
<input type="checkbox"/>	6	006.030620.000	THRUST WASHER 21,7X38X3	1

	7	037.030064.800	WASHER	1
	8	006.030650.000	S/ARM SPECIAL NUT 18.1,50	1
	9	029.030718.000	CLUTCH COUPLING	1
	10	029.030710.000	CLUTCH COUPLING	1
	11	16.11370.000	BUSH 15.28.2	1
	12	28.23105.000	SEEGER RB14 DIN 7993	1
	13	037.030030.000	SPRING WASHER	1
	14	037.030040.000	RING 112,5X117,5X1,2	1
	15	037.030070.000	SPECIAL BOLT M6X16	1
	16	037.030080.000	DRIVEN DISK	7
	17	029.030530.000	FIBER PLATE	6
	18	029.030540.000	FIBER PLATE	2
	19	16.33788.000	CAP	1
	20	026.030700.000	CLUTCH FL. DIPSTICK	1
	21	10.66840.000	O.RING 33X1,5	1
	22	006.030850.000	GASKET CLUTCH SLAVE CYLINDER	1
	23	029.030018.000	CLUTCH SLAVE M/C ASSY	1
	24	006.032818.000	CLUTCH ACTUATOR PISTON	1
	25	10.66520.000	OIL SEAL 23,52.1,78	1
	26	006.030830.000	SPRING SLAVE CYLINDER	1
	27	28.91050.000	BLEED WITH RUBBER	1
	28	029.030010.000	CLUTCH ACTUATOR CYLINDER	1
	29	11.65040.000	SPECIAL BOLT	1
	30	16.50510.000	GASKET 10.15.1 COPPER	1
	32	11.49070.000	BOLT 6.20	1
	33	11.50355.000	BOLT 6.35 RS CH8	1
	34	13.49190.000	SPACER	1
	35	037.030090.000	PIN D10X40,5	1
	36	037.030050.000	RING	1

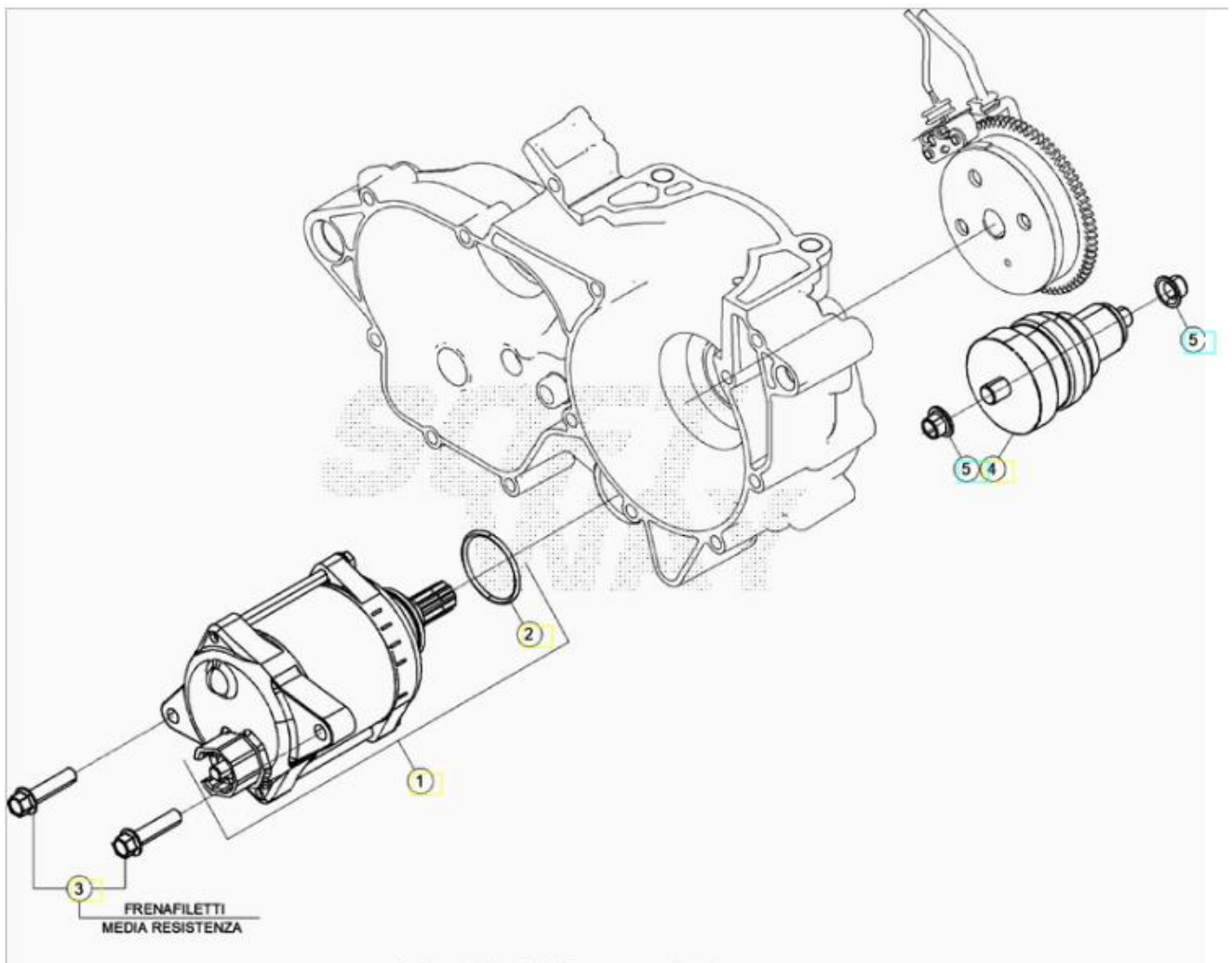


ORDER QTY	REF. NO.	PART NO.	GEARBOX ASSY. DESCRIPTION	RR 2T 250
<input type="checkbox"/>	1	026.040008.000	GEARBOX ASSY	1
<input type="checkbox"/>	2	026.040100.000	MAINSHAFT WITH BUSH	1
<input type="checkbox"/>	3	12.95610.000	BALL BEARING (6205) C3	1
<input type="checkbox"/>	4	12.95605.000	BALL BEARING (6203) JR2 C3	1
<input type="checkbox"/>	5	006.040150.000	5° GEAR MAINSHAFT	1
<input type="checkbox"/>	6	11.22855.000	NEEDLE BEARING K 22.26.13 TN (SPLIT	2
<input type="checkbox"/>	7	006.040310.000	THRUST WASHER 26.32.1,5	1
<input type="checkbox"/>	8	28.25520.000	CIRCLIP	2
<input type="checkbox"/>	9	006.040300.000	THRUST WASHER 23.32.1,5	1
<input type="checkbox"/>	10	006.040130.000	3°/4° GEAR MAINSHAFT	1
<input type="checkbox"/>	11	006.040160.000	6° GEAR MAINSHAFT	1
<input type="checkbox"/>	12	006.040120.000	2° GEAR MAINSHAFT	1
<input type="checkbox"/>	13	006.040320.000	THRUST WASHER 17.30.1	1

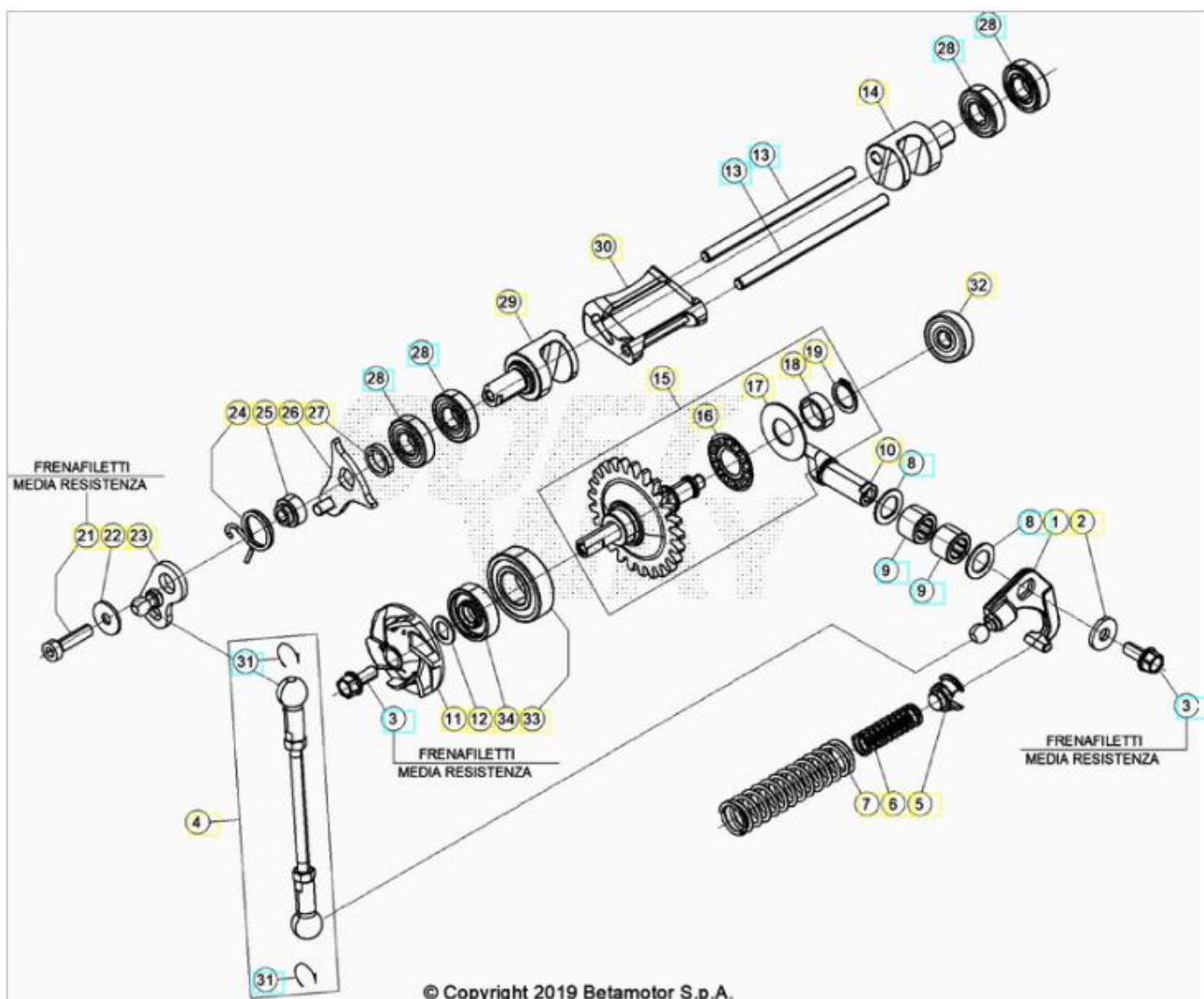


ORDER QTY	REF. NO.	PART NO.	GEAR SHIFT CONTROL DESCRIPTION	RR 2T 250
<input type="checkbox"/>	1	026.050028.000	GEAR SHIFT LEVER	1
<input type="checkbox"/>	2	11.50010.000	BOLT 6.25	1
<input type="checkbox"/>	3	10.52012.000	OIL SEAL 14.24.6 B1SL	1
<input type="checkbox"/>	4	11.22320.000	NEEDLE BEARING HK1414RS	2
<input type="checkbox"/>	5	27.63020.000	WASHER 14.30.1	1
<input type="checkbox"/>	6	006.050170.000	GEAR BOX RETURN SPRING	1
<input type="checkbox"/>	7	16.92911.000	SPRING GUIDE	1
<input type="checkbox"/>	8	006.050160.000	SHIFT SHAFT CPL.	1
<input type="checkbox"/>	9	006.050148.000	SHIFT SHAFT CPL.	1
<input type="checkbox"/>	11	006.050200.000	FORK 1/4 GEAR	2
<input type="checkbox"/>	12	026.050250.000	SPINDLE FORK	2
<input type="checkbox"/>	13	006.050270.000	BUSHING 6.8.5,2	3
<input type="checkbox"/>	14	006.050210.000	FORK 5/6 GEAR	1
<input type="checkbox"/>	15	026.050108.000	SHIFT SHAFT CPL.	1
<input type="checkbox"/>	16	22.39591.000	LEVER SPRING	1
<input type="checkbox"/>	17	029.050540.000	SPACER	1
<input type="checkbox"/>	18	026.050508.000	LEVER	1
<input type="checkbox"/>	19	27.42000.100	WASHER 6.20.1,0	2

<input type="checkbox"/>	20	11.49070.000	BOLT 6.20	1
<input type="checkbox"/>	21	31.45000.000	SCREW 6.30	1
<input type="checkbox"/>	22	029.050018.000	DETENT CAM	1
<input type="checkbox"/>	23	12.93405.000	BALL BEARING 61805.2RS1	1
<input type="checkbox"/>	24	026.050300.000	GEAR CAM	1
<input type="checkbox"/>	25	12.93840.000	BALL BEARING 15.28.7	1
<input type="checkbox"/>	26	31.30084.000	COUNTERSUNK SCREW M5X8 "TORX 25"	1



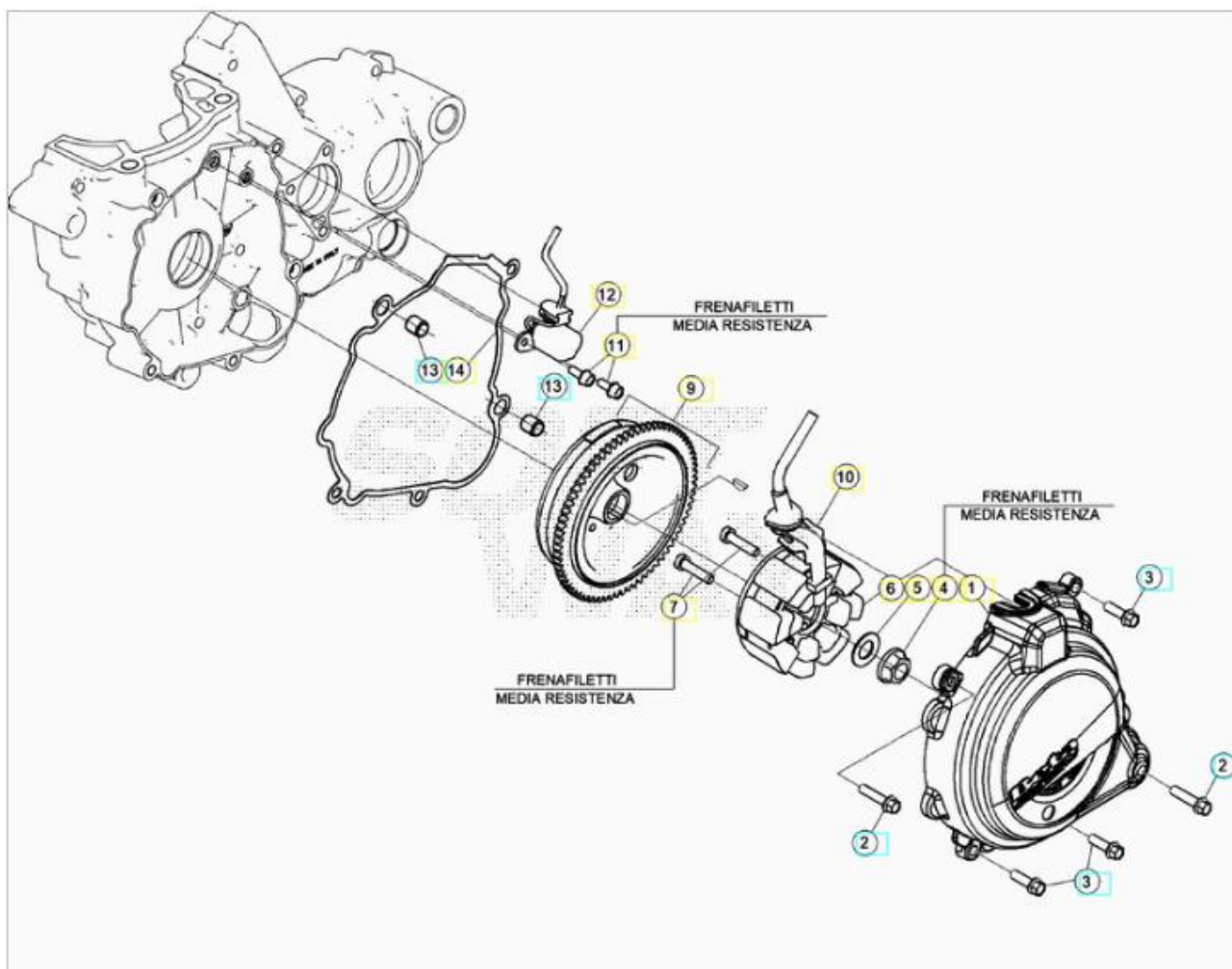
ORDER QTY	REF. NO.	PART NO.	ELECTRIC STARTER DESCRIPTION	RR 2T 250
<input type="checkbox"/>	1	026.070118.000	E.STARTER	1
<input type="checkbox"/>	2	36.25056.000	O RING 25,00X3,00 NBR70	1
<input type="checkbox"/>	3	11.50010.000	BOLT 6.25	1
<input type="checkbox"/>	4	026.070100.000	CONTACT TAG, BENDIX	1
<input type="checkbox"/>	5	C03020010000	BUSH 8X10X8	2



© Copyright 2019 Betamotor S.p.A.

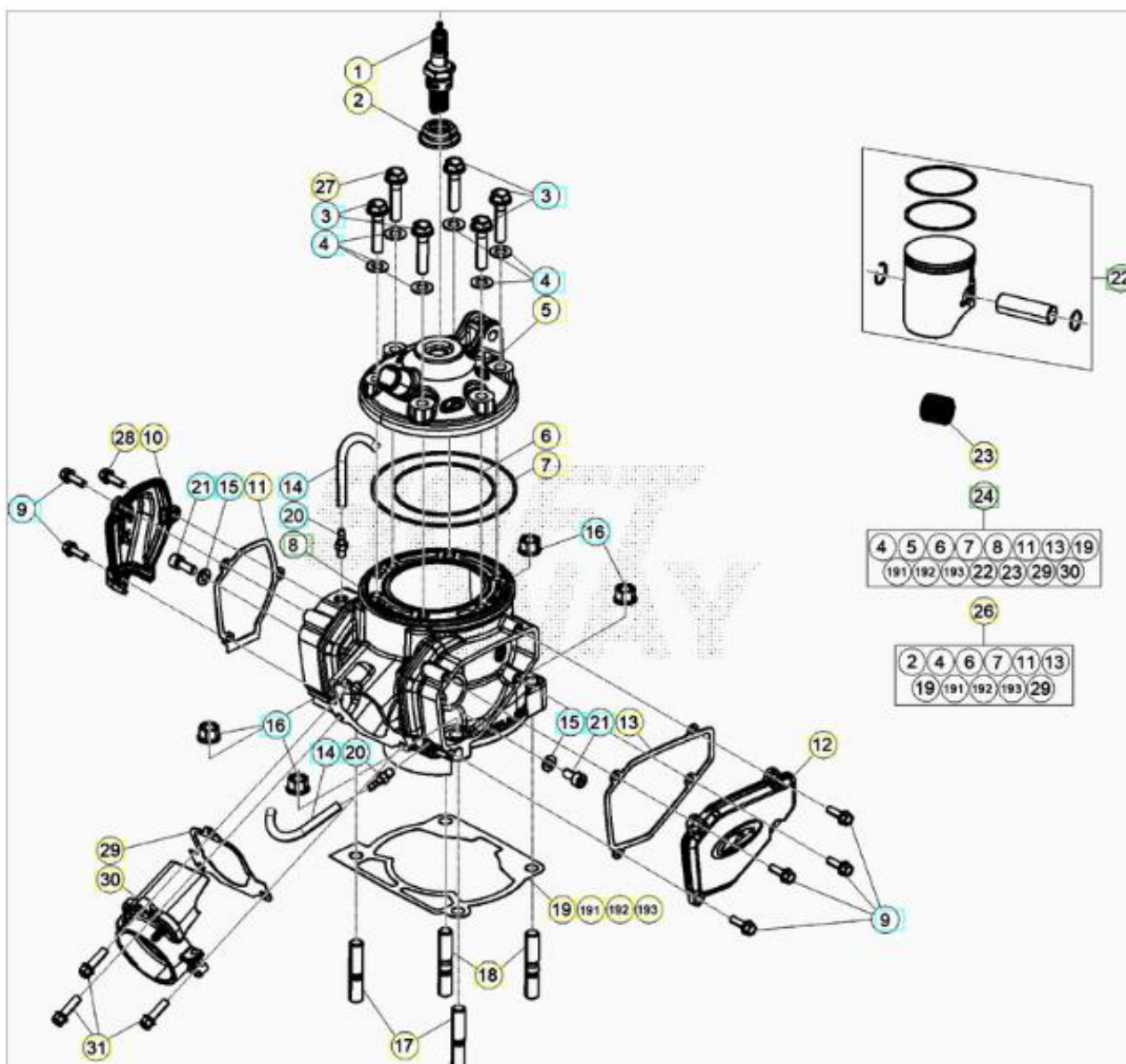
ORDER QTY	REF. NO.	PART NO.	ROCKER ARM ASSY. DESCRIPTION	RR 2T 250
<input type="checkbox"/>	1	026.090138.000	ROCKER ARM ASSY	1
<input type="checkbox"/>	2	C16020010000	WASHER 5.15.2 DIN 7349	1
<input type="checkbox"/>	3	11.46251.000	BOLT 5,12	2
<input type="checkbox"/>	4	026.090158.000	VALVE CONTROL ROD	1
<input type="checkbox"/>	5	026.090170.000	SPRING GUIDE	1
<input type="checkbox"/>	6	035.090100.000	SPRING	1
<input type="checkbox"/>	7	026.090210.000	ADJUSTING SPRING 250CC	1
<input type="checkbox"/>	8	C19040010000	WASHER 16X10X1	2
<input type="checkbox"/>	9	11.22100.000	NEEDLE BEARING 10.14.10	2
<input type="checkbox"/>	10	026.090110.000	CONTROL LEVER	1
<input type="checkbox"/>	11	006.090000.000	IMPELLER WATER PUMP	1
<input type="checkbox"/>	12	006.090120.000	WASHER WATER PUMP	1
<input type="checkbox"/>	13	026.090310.000	EXHAUST VALVE PIN	2
<input type="checkbox"/>	14	026.090400.000	BOOSTER VALVE, LEFT	1
<input type="checkbox"/>	15	026.090058.000	CENTRIFUGAL UNIT	1
<input type="checkbox"/>	16	16.11512.000	AXIAL NEEDLE BEARING 12.26	1
<input type="checkbox"/>	17	27.56400.000	WASHER AS1226	1

<input type="checkbox"/>	18	026.090030.000	SPACER	1
<input type="checkbox"/>	19	28.22760.000	SEEGER A12 DIN 471	1
<input type="checkbox"/>	21	31.30015.000	SCREW 5.20	1
<input type="checkbox"/>	22	27.36500.000	WASHER 5.15	1
<input type="checkbox"/>	23	026.090428.500	OPERATING LEVER	1
<input type="checkbox"/>	24	026.090460.000	SPRING	1
<input type="checkbox"/>	25	026.090440.000	SPACER	1
<input type="checkbox"/>	26	026.090438.500	TRAVEL LIMIT LEVER	1
<input type="checkbox"/>	27	026.090470.000	SPACER	1
<input type="checkbox"/>	28	12.93410.000	BEARING 10.22.6. 2RS1	4
<input type="checkbox"/>	29	026.090410.000	BOOSTER VALVE, RIGHT	1
<input type="checkbox"/>	30	026.090500.000	EXHAUST VALVE, 250CC	1
<input type="checkbox"/>	31	C21310010000	LOCKING SPRING	2
<input type="checkbox"/>	32	12.93387.000	BALL BEARING 6.19.6	1
<input type="checkbox"/>	33	C06010010000	BEARING 15X32X9	1
<input type="checkbox"/>	34	10.43720.000	OIL SEAL	1



ORDER QTY	REF. NO.	PART NO.	FLYWHEEL W/ COVER DESCRIPTION	RR 2T 250
<input type="checkbox"/>	1	026.010518.052	FLYWHEEL COVER . COMPLETE RR2T	1

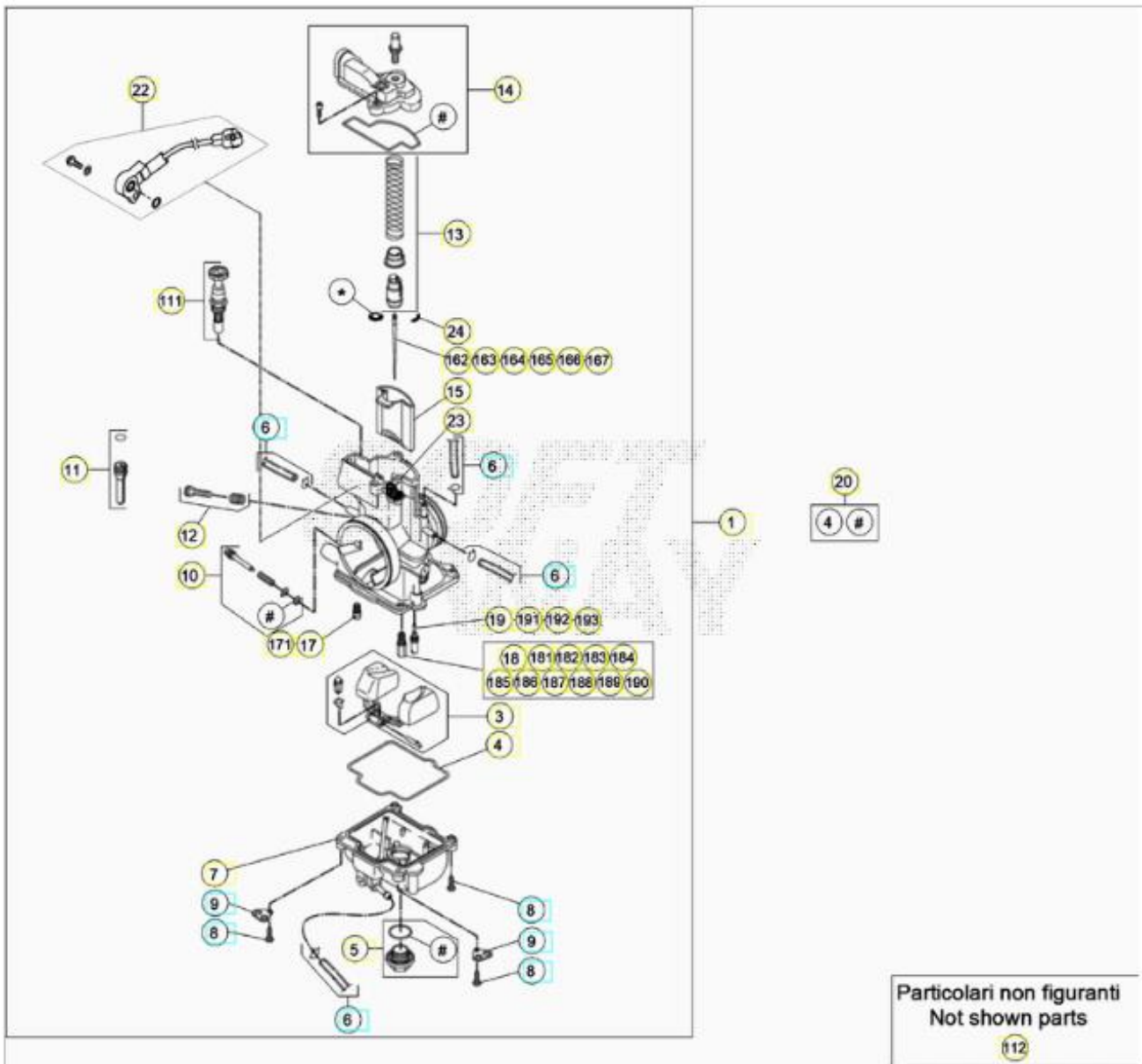
	2	11.50010.000	BOLT 6.25	2
	3	11.49070.000	BOLT 6.20	2
	4	13.25010.000	NUT, MAGNETO SPECIAL	1
	5	27.74810.000	SPRING WASHER DIN137 B12 FST	1
	6	026.100050.000	GENERATOR	1
	7	31.48507.000	SCREW 6.25	1
	9	026.100018.500	FLYWHEEL ROTOR	1
	10	006.010540.000	CABLE RETAINING PLATE	1
	11	11.46251.000	BOLT 5,12	1
	12	026.100060.000	PICKUP	1
	13	16.36500.000	DOWEL 9.10	2
	14	026.010530.000	GASKET, IGNITION COVER	1






ORDER QTY	REF. NO.	PART NO.	CYLINDER ASSY DESCRIPTION	RR 2T 250
	1	12.25123.000	SPARKPLUG, BR8ECM	1
	2	026.100120.000	SPARK PLUG GASKET	2

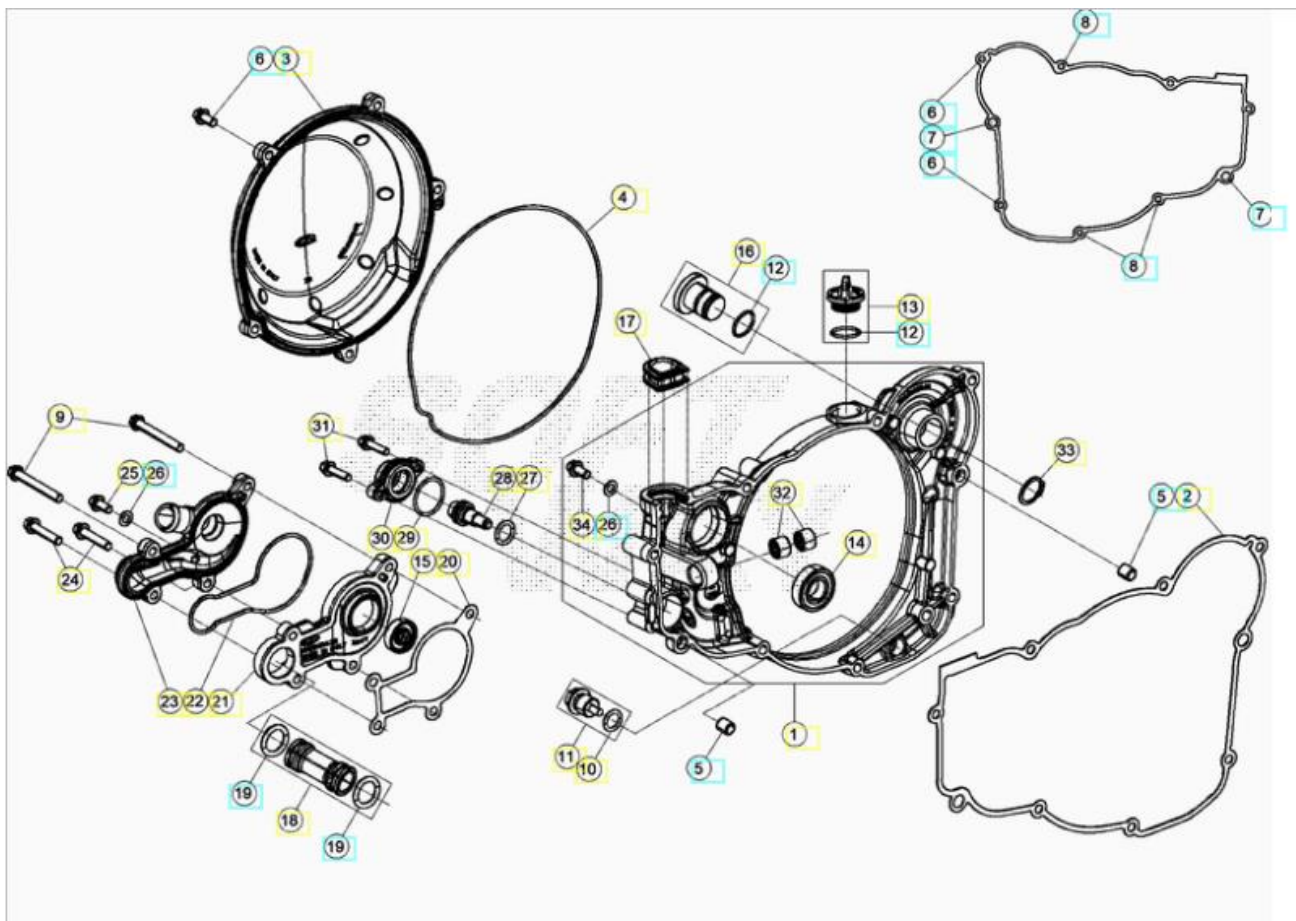
	3	026.110110.000	FLANGE BOLT 8X35	2
	4	026.110100.000	WASHER 8.16.1	4
	5	026.110338.052	CYLINDER HEAD, 250CC	2
	6	10.66972.000	OIL SEAL 73.2 VITON	3
	7	10.66978.000	OIL SEAL 105.2 VITON	3
	8	026.110290.00A	CYLINDER, 250CC A	1
	8	026.110290.00B	CYLINDER, 250CC B	1
	8	026.110540.00A	NO DESCRIPTION	1
	8	026.110540.00B	NO DESCRIPTION	1
	9	11.46360.000	BOLT 5,16	2
	10	026.110520.000	COVER	1
	11	026.110030.000	RIGHT VALVE COVER GASKET	2
	11	026.110530.000	COVER GASKET	1
	12	026.110040.052	LEFT VALVE HEAD COVER	1
	13	026.110050.000	LEFT VALVE COVER GASKET	3
	14	026.110120.000	TUBE	2
	15	27.40500.000	WASHER 6.12.1,6 DIN 125	2
	16	13.20210.000	NUT, 10.1,25	2
	17	C24760030000	STUD M10X28X1,25	1
	18	C24760040000	STUD M10X33X1,25	1
	19	026.110250.000	CYL BASE GASKET . .3MM	3
	20	29.00280.000	PLUG FOR HEAD RS 4T USA	2
	21	31.31050.000	SCREW 6.15	2
	22	026.020268.00A	PISTON KIT 250CC, A	1
	22	026.020268.00B	PISTON KIT 250CC, B	1
	22	026.020268.00C	PISTON KIT 250CC, C	1
	22	026.020628.00A	PISTON KIT 250CC, A	1
	22	026.020628.00B	PISTON KIT 250CC, B	1
	22	026.020628.00C	PISTON KIT 250CC, C	1
	23	16.16710.000	NEEDLE BEARING 18.22.20	2
	24	026.110568.20A	NO DESCRIPTION	1
	24	026.110568.20B	NO DESCRIPTION	1
	26	026.110408.200	GASKET KIT	1
	27	026.110370.000	TAB SCREW	1
	28	026.110360.000	TAB SCREW	1
	29	026.110380.000	FLANGE GASKET	3
	30	026.110320.000	EXHAUST FLANGE	2

<input type="checkbox"/>	31	11.49070.000	BOLT 6.20	1
<input type="checkbox"/>	191	026.110260.000	CYL BASE GASKET .4MM	3
<input type="checkbox"/>	192	026.110270.000	CYL BASE GASKET .5MM	3
<input type="checkbox"/>	193	026.110280.000	CYL BASE GASKET .6MM	3



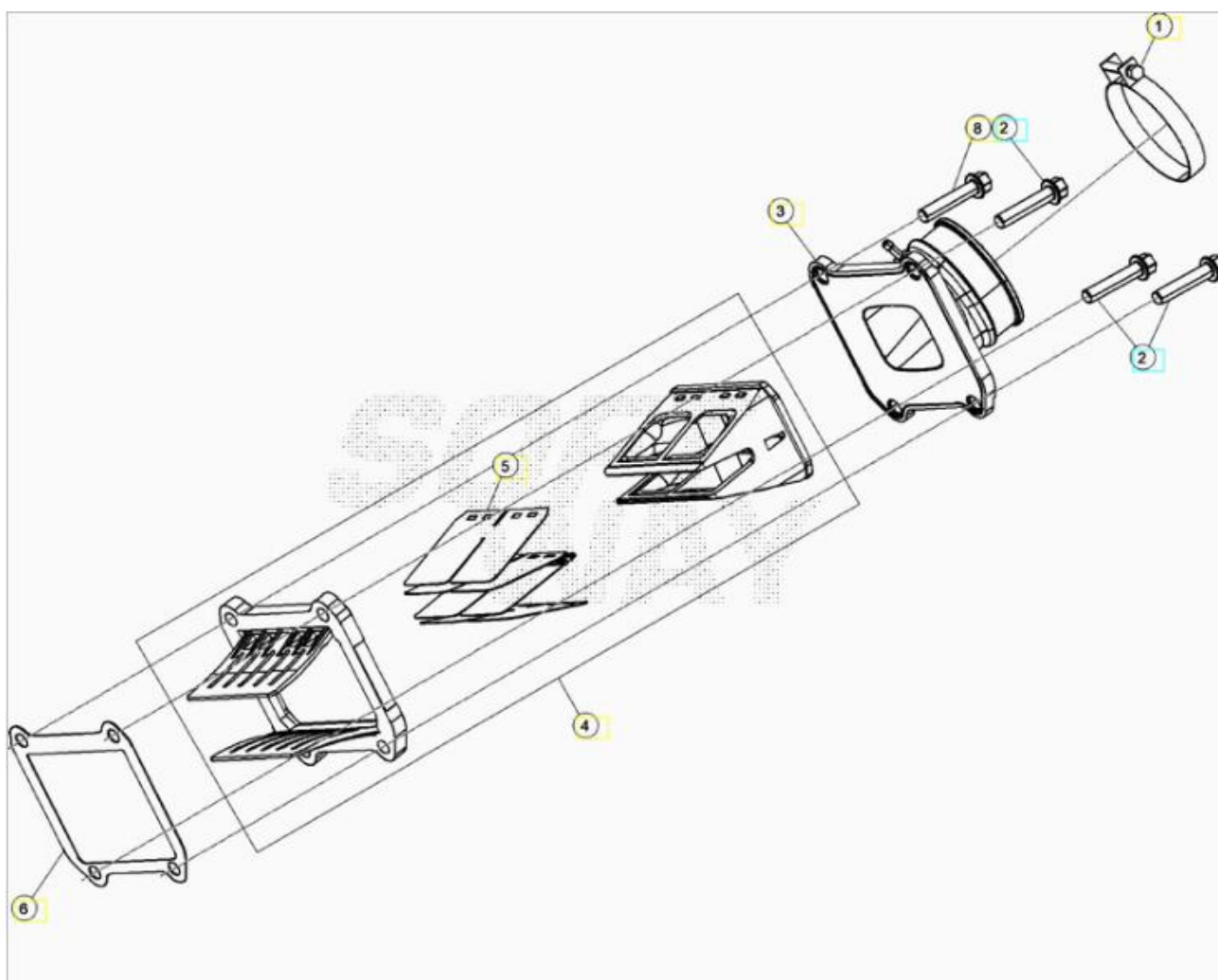
ORDER QTY	REF. NO.	PART NO.	CARBURETOR COMPONENTS DESCRIPTION	RR 2T 250
<input type="checkbox"/>	1	026.120528.000	CARB, 250	1
<input type="checkbox"/>	3	026.120098.000	FLOAT ASSEMBLY	1
<input type="checkbox"/>	4	026.120110.000	FLOAT CHAMBER GASKET	2
<input type="checkbox"/>	5	026.121068.000	CAP DRAIN ASSY	1
<input type="checkbox"/>	6	026.120450.000	KIT, TUBE	4
<input type="checkbox"/>	7	026.121070.000	CHAMBER ASSY	1

	8	026.120160.000	SCREW M4X16	3
	9	026.120240.000	PLATE	2
	10	026.120288.000	ADJUSTING SCREW KIT	1
	11	026.120068.000	SLIDE STOP ASSY	1
	12	026.120328.000	ADJUSTING SCREW ASSEMBLY	1
	13	026.120378.000	CARB SPRING	1
	14	026.120600.000	CARB COVER	1
	15	026.121050.000	CARB VALVE	1
	17	026.120460.000	STARTER JET 85 KEIHINJ	1
	18	16.42304.000	JET 118 KEIHIN	1
	19	16.42357.000	PILOT JET SIZE 35	1
	20	026.120440.000	PACKINGS KIT	1
	22	036.120040.000	TPS	1
	23	25.57912.000	RETAINING PLATE	1
	24	12.54242.000	CLIP, JET NEEDLE	1
	111	026.120080.000	STARTER PISTON	1
	112	026.120588.200	CARBURETOR	1
	162	026.120200.000	JET NEEDLE KEIHIN N2ZK	1
	163	026.120170.000	JET NEEDLE KEIHIN N84K	1
	164	026.120210.000	JET NEEDLE KEIHIN N2ZH	1
	165	026.120220.000	JET NEEDLE KEIHIN NOZK	1
	166	026.120230.000	JET NEEDLE KEIHIN NOZJ	1
	167	026.120500.000	NOZI	1
	171	026.120050.000	STARTER JET 50 KEIHINJ	1
	181	36.25104.000	MAIN JET 155 KEIHIN	1
	182	36.25105.000	MAIN JET 158 KEIHIN	1
	183	36.25106.000	MAIN JET 160 KEIHIN	1
	184	36.25107.000	MAIN JET 162 KEIHIN	1
	186	36.25109.000	MAIN JET 168 KEIHIN	1
	187	36.25110.000	MAIN JET 170 KEIHIN	1
	188	36.25111.000	MAIN JET 172 KEIHIN	1
	189	36.25112.000	MAIN JET 175 KEIHIN	1
	190	16.42311.000	JET 130 KEIHIN	1
	191	16.42355.000	MIN JET 38 VHST 26 CARB.	1
	193	16.42347.000	PILOT JET SIZE 42	1



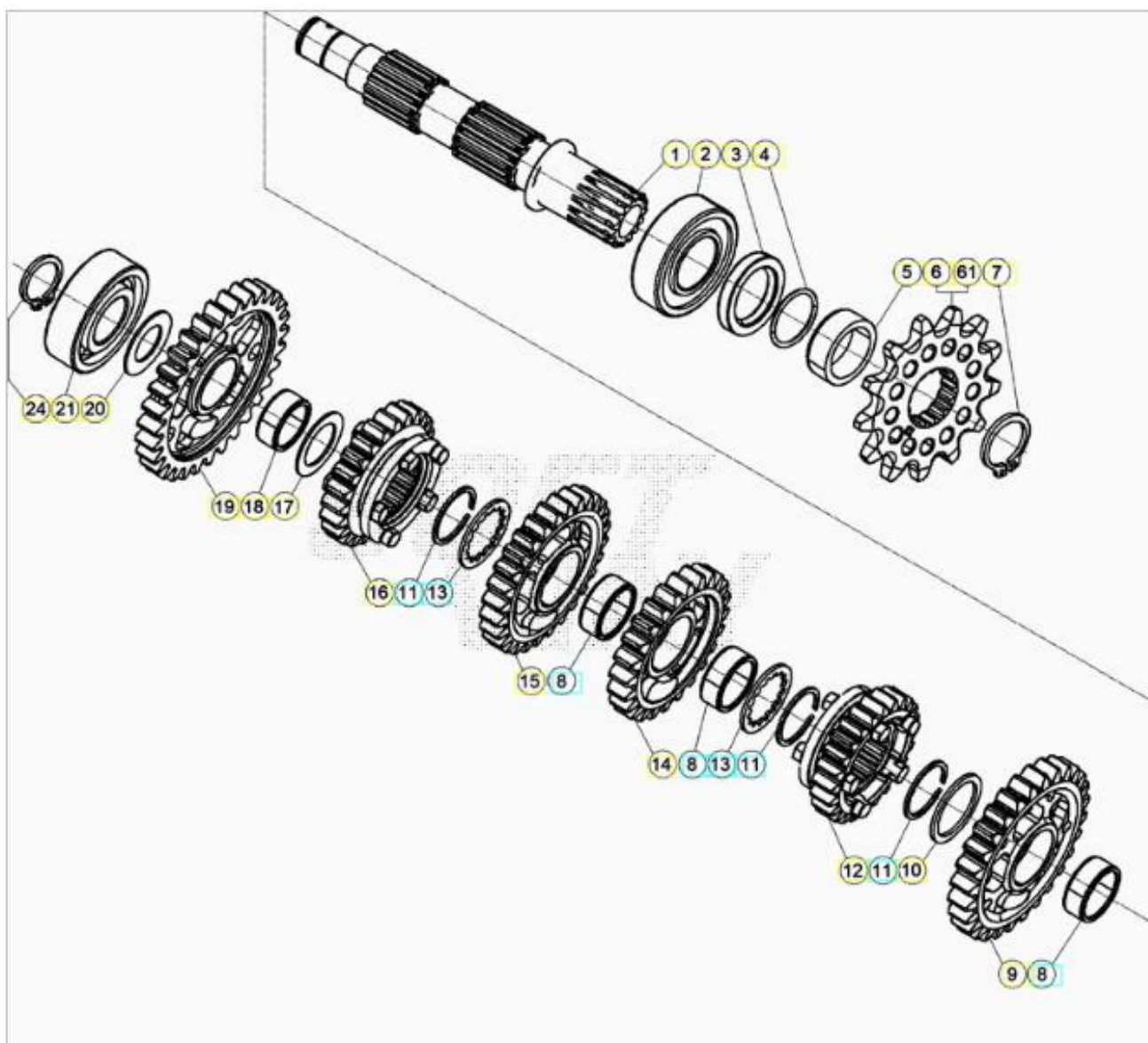
ORDER QTY	REF. NO.	PART NO.	CLUTCH COVER DESCRIPTION	RR 2T 250
<input type="checkbox"/>	1	026.010298.052	CLUTCH COVER	1
<input type="checkbox"/>	2	026.010050.000	GASKET, CLUTCH COVER INNER	1
<input type="checkbox"/>	3	026.010188.052	OUTER CLUTCH COVER	1
<input type="checkbox"/>	4	026.010410.000	OUTER CLUTCH COVER GASKET (SPECIAL	1
<input type="checkbox"/>	5	16.36500.000	DOWEL 9.10	2
<input type="checkbox"/>	6	11.49070.000	BOLT 6.20	3
<input type="checkbox"/>	7	11.50300.000	BOLT 6.30 RS CH8	2
<input type="checkbox"/>	8	11.05535.000	BOLT 6.50 RS CH8	2
<input type="checkbox"/>	9	11.05485.000	BOLT 6.60	1
<input type="checkbox"/>	10	10.66164.000	O.RING, 11.2 NBR 70SH	1
<input type="checkbox"/>	11	006.081528.000	MAGNET SCREW M14X1,5	1
<input type="checkbox"/>	12	10.66321.000	OIL SEAL	2
<input type="checkbox"/>	13	026.010198.059	OIL FILLER CAP	1
<input type="checkbox"/>	14	C06010010000	BEARING 15X32X9	1
<input type="checkbox"/>	15	10.43720.000	OIL SEAL	1
<input type="checkbox"/>	16	037.010178.059	CAP	1
<input type="checkbox"/>	17	026.010318.000	SEALING EXHAUST VALVE COVER	1
<input type="checkbox"/>	18	026.010378.000	WATER PIPE, COMPLETE	1
<input type="checkbox"/>	19	C02060520000	O.RING 17.96X2.62	2

<input type="checkbox"/>	20	026.010360.000	GASKET, WATERPUMP BODY	1
<input type="checkbox"/>	21	026.010340.000	WATERPUMP BODY	1
<input type="checkbox"/>	22	026.010350.000	GASKET, WATER PUMP	1
<input type="checkbox"/>	23	026.010330.000	WATER PUMP COVER	1
<input type="checkbox"/>	24	11.50300.000	BOLT 6.30 RS CH8	1
<input type="checkbox"/>	25	11.47015.000	BOLT 6.12 RS CH8	2
<input type="checkbox"/>	26	27.40495.000	WASHER 6.11.0,8	2
<input type="checkbox"/>	27	10.66296.000	O.RING 12,37,2,62 NBR70	1
<input type="checkbox"/>	28	026.090234.200	ADJUSTABLE SPRING GUIDE	1
<input type="checkbox"/>	29	10.66540.000	O.RING 24.2 NBR70	1
<input type="checkbox"/>	30	026.090250.000	COVER	1
<input type="checkbox"/>	31	11.46401.000	BOLT 5.20 RS CH8	1
<input type="checkbox"/>	32	11.22100.000	NEEDLE BEARING 10.14.10	1
<input type="checkbox"/>	33	33.00070.000	SEEGER D.19	1



ORDER QTY	REF. NO.	PART NO.	REED VALVE DESCRIPTION	RR 2T 250
<input type="checkbox"/>	1	15.14275.000	CLAMP, 52/12	1
<input type="checkbox"/>	2	11.50010.000	BOLT 6.25	2
<input type="checkbox"/>	3	036.010058.200	CARBURATOR MANIFOLD INSERT ASSY	1

<input type="checkbox"/>	4	026.010078.000	REED VALVE	1
<input type="checkbox"/>	5	026.010090.000	REED KIT	1
<input type="checkbox"/>	6	026.010100.000	VALVE GASKET	1
<input type="checkbox"/>	8	026.110350.000	SECURITY SCREW	1



ORDER QTY	REF. NO.	PART NO.	COUNTERSHAFT DESCRIPTION	RR 2T 250
<input type="checkbox"/>	1	026.040200.000	COUNTERSHAFT	1
<input type="checkbox"/>	2	12.99710.000	ROLLER BEARING NJ205	1
<input type="checkbox"/>	3	10.66020.000	OIL SEAL 32.45.7 BSL	1
<input type="checkbox"/>	4	10.66540.000	O.RING 24.2 NBR70	1
<input type="checkbox"/>	5	006.040400.000	DISTANCE BUSH	1
<input type="checkbox"/>	6	006.040510.000	FR. SPROCKET 14T, RR/RS	1
<input type="checkbox"/>	7	28.25530.000	SEEGER AS 25X2 DIN 471	1
<input type="checkbox"/>	8	11.22845.000	NEEDLE BEARING K 20.24.10 (SPLITTED)	3
<input type="checkbox"/>	9	006.040220.000	2° GEAR COUNTERSHAFT	1
<input type="checkbox"/>	10	006.040310.000	THRUST WASHER 26.32.1,5	1

<input type="checkbox"/>	11	28.25520.000	CIRCLIP	3
<input type="checkbox"/>	12	006.040260.000	6° GEAR COUNTERSHAFT	1
<input type="checkbox"/>	13	006.040300.000	THRUST WASHER 23.32.1,5	2
<input type="checkbox"/>	14	006.040240.000	4° GEAR COUNTERSHAFT	1
<input type="checkbox"/>	15	006.040230.000	3° GEAR COUNTERSHAFT	1
<input type="checkbox"/>	16	006.040250.000	5° GEAR COUNTERSHAFT	1
<input type="checkbox"/>	17	006.040330.000	THRUST WASHER 20.30.1	1
<input type="checkbox"/>	18	11.22835.000	NEEDLE BEARING K 20.24.10	1
<input type="checkbox"/>	19	006.040210.000	1° GEAR COUNTERSHAFT	1
<input type="checkbox"/>	20	006.040320.000	THRUST WASHER 17.30.1	1
<input type="checkbox"/>	21	12.95605.000	BALL BEARING (6203) JR2 C3	1
<input type="checkbox"/>	24	C01230010000	CHECK RING 17X1	1
<input type="checkbox"/>	61	006.040520.000	FR. SPROCKET 15T, RR/RS	1