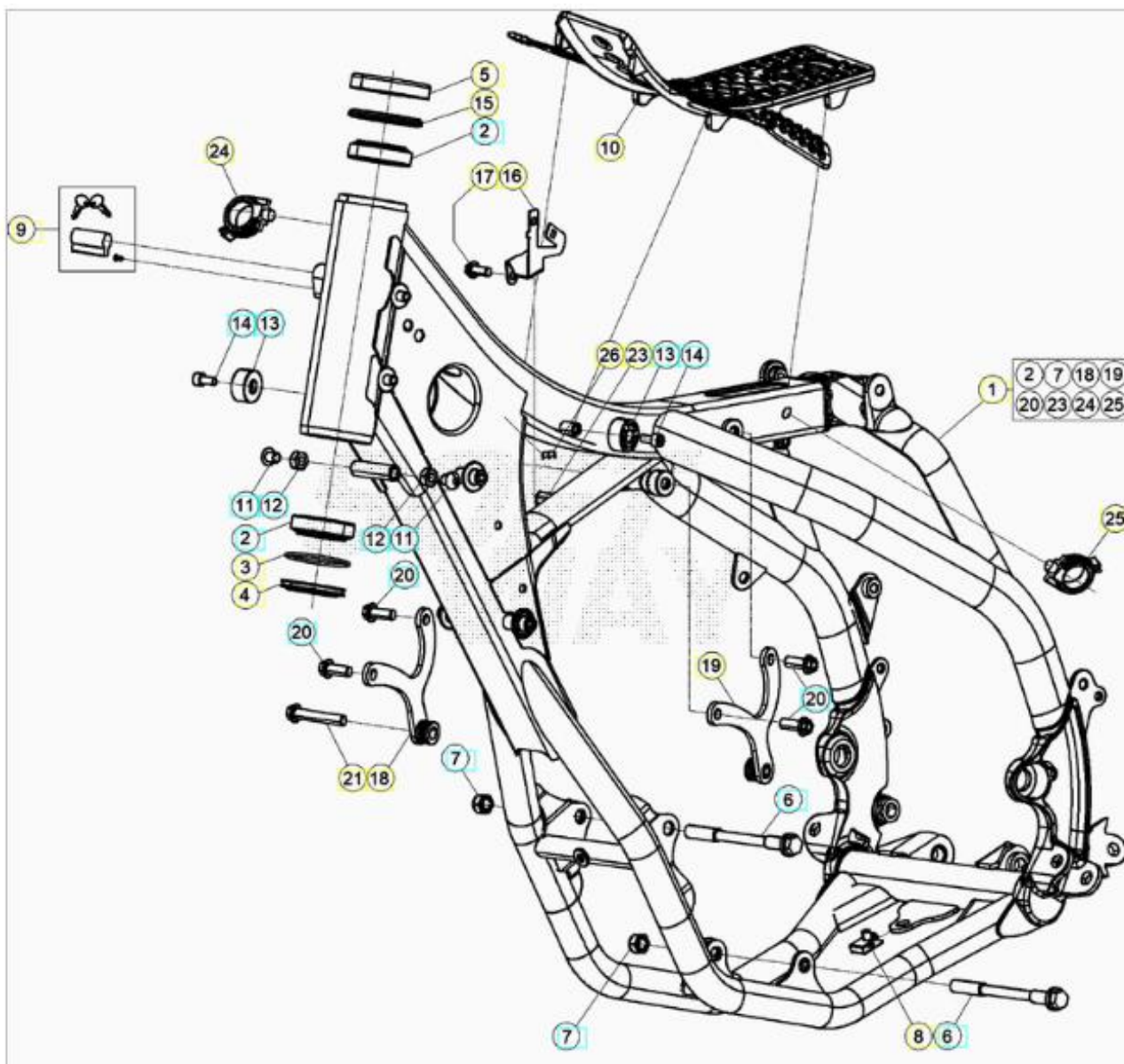


MFC **MOTOCROSS** **CENTER.COM**

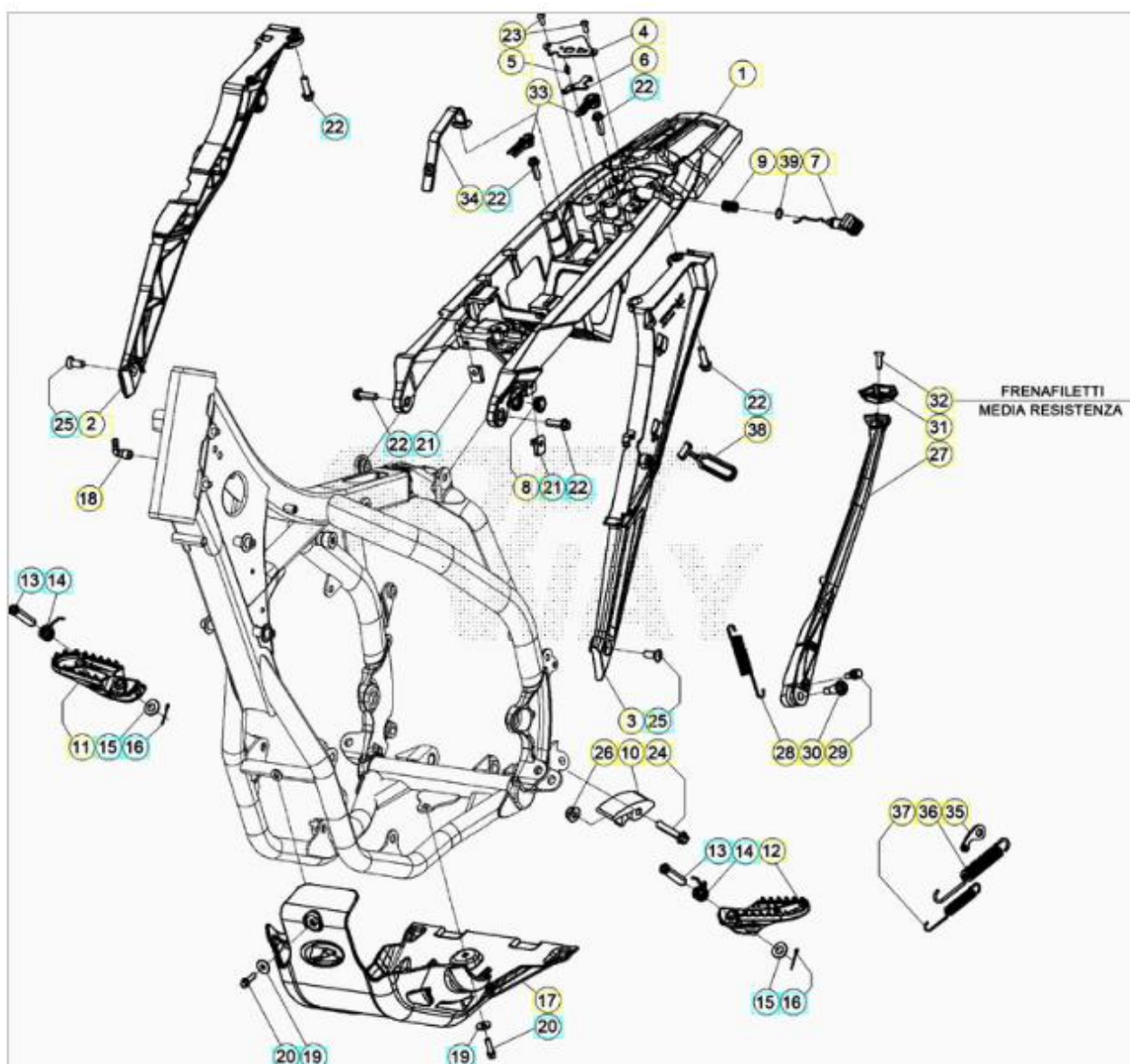
BETA RR 480 RACING MY 2021





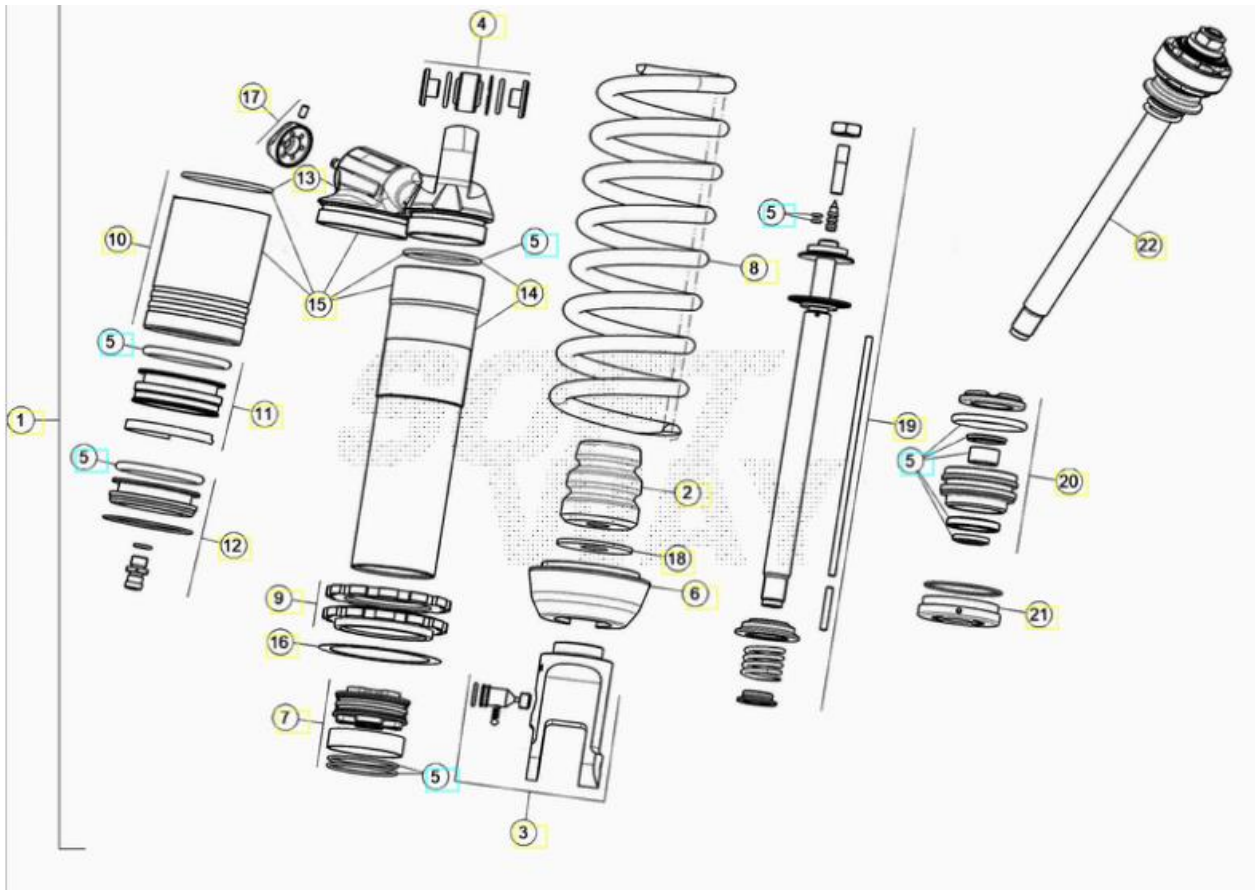
ORDER QTY	REF. NO.	PART NO.	FRAME DESCRIPTION	350 RR RACE 4T
<input type="checkbox"/>	1	037.310588.050	FRAME RED RR 4T	1
<input type="checkbox"/>	2	12.99510.000	BEARING 29.50.15	3
<input type="checkbox"/>	3	10.66935.000	O RING	1
<input type="checkbox"/>	4	020.310390.000	FRONT FORK RING, RR	1
<input type="checkbox"/>	5	031.310162.200	PROTECTION, UPPER BEARING	1
<input type="checkbox"/>	6	11.64607.000	SPECIAL BOLT	2
<input type="checkbox"/>	7	13.21060.000	NUT, M10X1,25 H.8.5 14MM SELF.LOCKI	3
<input type="checkbox"/>	8	25.60311.000	M6 SCREW PLATE	1
<input type="checkbox"/>	9	037.310240.000	STEERING LOCK PIN TUMBLER	1
<input type="checkbox"/>	10	037.310710.059	FUEL TANK RUBBER PAD	1
<input type="checkbox"/>	11	31.64060.000	SCREW 8.16	2
<input type="checkbox"/>	12	13.16000.000	NUT 8.6	2
<input type="checkbox"/>	13	29.10310.000	TANK RUBBER PAD TR34	2

	14	31.31050.000	SCREW 6.15	2
	15	031.320070.000	OIL SEAL	1
	16	037.400692.200	WIRING HARNESS BRACKET	1
	17	11.48025.000	BOLT 6.16	1
	18	037.320068.000	ENGINE CONNECTION RR 4T	2
	19	037.320075.000	ENGINE CONNECTION RR 4T	2
	20	11.54492.000	BOLT 8.20	2
	20	11.54521.000	BOLT 8.16 CH.10	3
	21	C24310450000	SCREW M8X65	1
	23	27.33741.000	RIVET	1
	24	037.370183.700	S/S TO 25.24440.000	1
	24	25.24440.000	FAIR LEAD	2
	24	25.24444.000	FAIR LEAD D.19, RR 4T	1
	25	037.370173.700	CLAMP	1
	26	25.24443.000	FAIR LEAD, 6/6	1



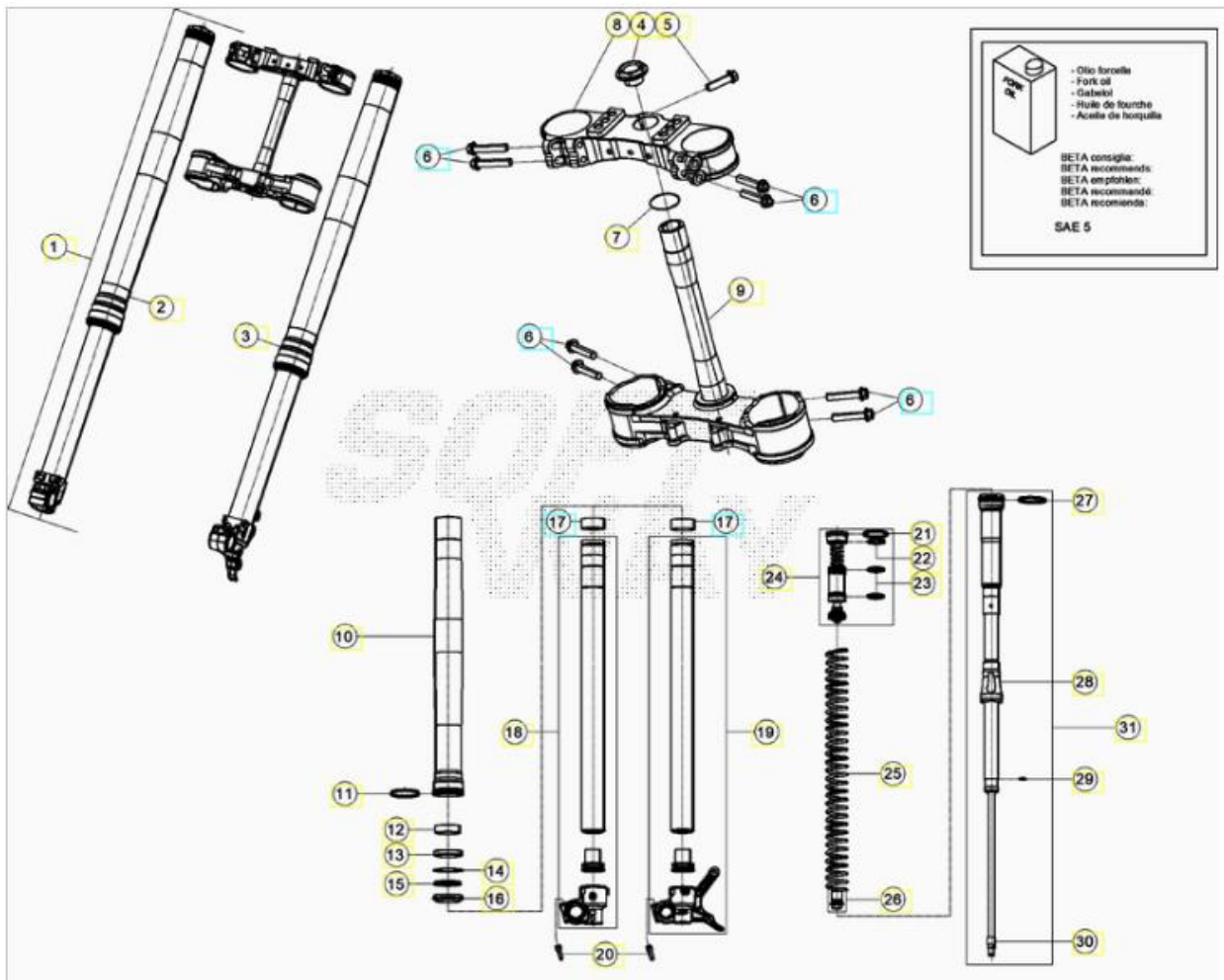
QTY	NO.		DESCRIPTION	RACE 4T
	1	040.320358.059	REAR FRAME	1
	2	037.320338.759	SUB FRAME . RIGHT	1
	3	037.320348.759	SUB FRAME . LEFT	1
	4	020.320100.005	SEAT LOCK FIXING PLATE	1
	5	020.321120.000	SEAT LOCK SPECIAL RIVET	1
	6	037.320135.000	RETAINING PLATE	1
	7	037.320148.759	SEAT BUTTON	1
	8	037.380030.000	INSERT 2T	1
	9	020.320160.000	SEAT LOCK BUTTON SPRING	1
	10	25.25601.000	SLIDING BLOCK	1
	11	037.320400.059	BETA RACING BILLET FOOTPEGS, 2020+	1
	11	AB.22031	BETA RACING BILLET FOOTPEGS, 2020+	1
	12	037.320390.059	BETA RACING BILLET FOOTPEGS, 2020+	1
	12	AB.22031	BETA RACING BILLET FOOTPEGS, 2020+	1
	13	25.54465.000	PIVOT PIN, FOOTREST RR 4T	2
	14	037.320190.000	SPRING	2
	15	031.320010.000	WASHER 10.21.2	2
	16	12.81993.000	SPLIT PIN	2
	17	037.320180.059	ENGINE GUARD RR 4T	1
	18	27.23470.000	BREATHER PIPE HOSE	1
	19	27.42000.000	WASHER 6.18	2
	20	11.49070.000	BOLT 6.20	2
	21	25.60311.000	M6 SCREW PLATE	2
	22	31.64070.000	SCREW 8.30	6
	23	31.29810.000	SCREW 5.12	1
	24	11.55480.000	BOLT 8.40	1
	25	007.320320.000	SCREW TSBEI CH 6 M8X20	2
	26	13.17120.000	NUT M8	1
	27	037.320108.200	KICKSTAND, 2020	1
	28	037.320300.000	SPRING	1
	29	11.66615.000	SPECIAL BOLT	1
	30	11.66614.000	SPECIAL BOLT, RR 4T '08	1
	31	037.320170.000	INSERT	1
	32	31.34400.000	SCREW 6.20	1
	33	037.320270.000	RUBBER PAD . KIT	1
	34	037.430430.000	BATTERY RUBBER BAND	1

<input type="checkbox"/>	38	16.34907.000	STAND RUBBER, RR 4T	1
<input type="checkbox"/>	39	C02060660000	SEALING RING 9.52X1.78	1



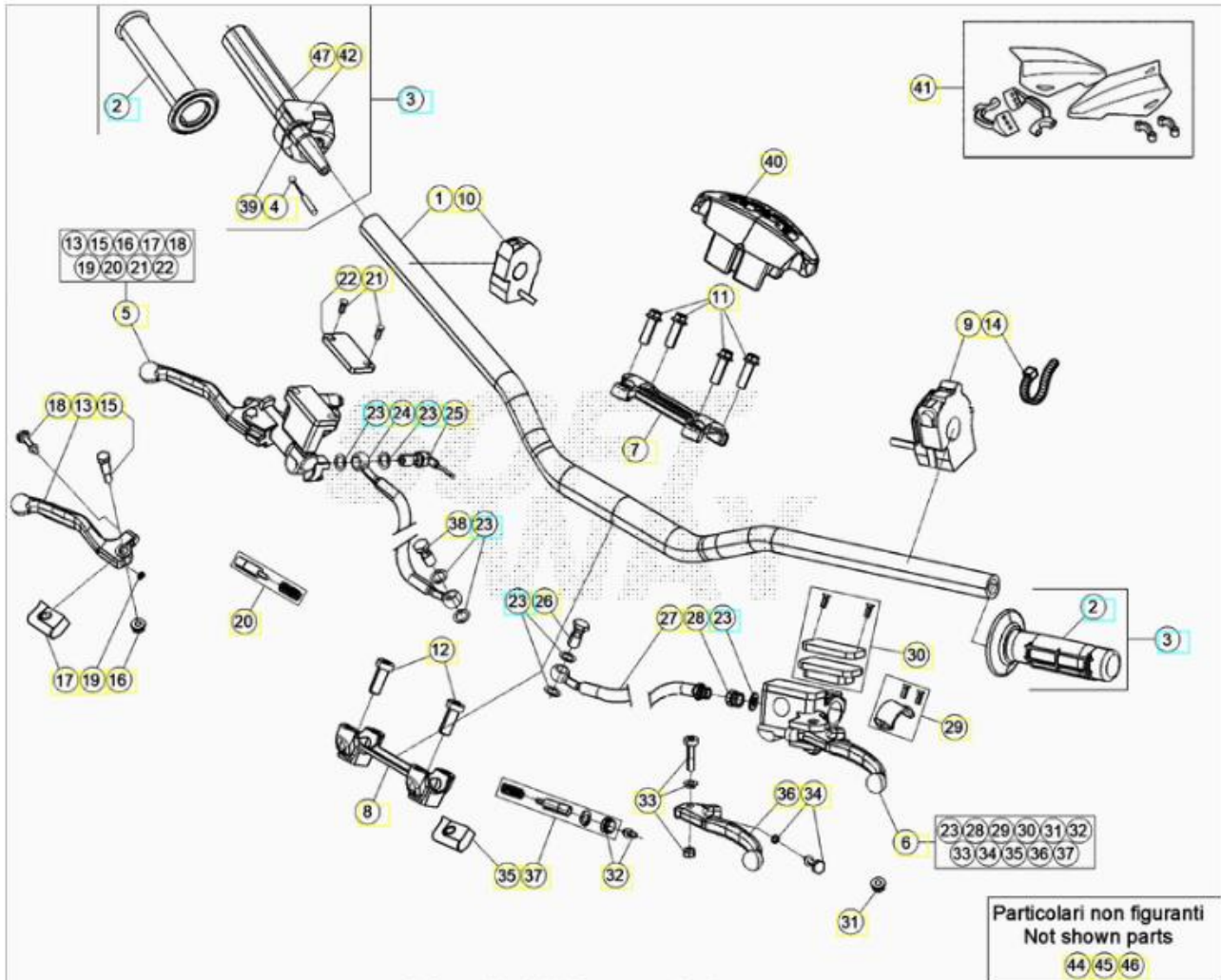
ORDER QTY	REF. NO.	PART NO.	REAR SHOCK ABSORBER DESCRIPTION	350 RR RACE 4T
<input type="checkbox"/>	1	037.330008.000	SHOCK ABSORBER RR 4T	1
<input type="checkbox"/>	2	037.330090.000	SHOCK ABSORBER BUMPER	1
<input type="checkbox"/>	3	037.330100.000	SHOCK ABSORBER FORK	1
<input type="checkbox"/>	4	13.86078.800	SHOCK ABSORBER SPACERS *SET*	1
<input type="checkbox"/>	5	037.330118.200	GASKET . KIT	6
<input type="checkbox"/>	6	037.330070.000	SPRING CAP	1
<input type="checkbox"/>	7	026.330200.000	PISTON	1
<input type="checkbox"/>	9	026.330190.000	DAMPER ADJ RING NUT	1
<input type="checkbox"/>	10	026.330120.000	SOCK ABSORBER TANK	1
<input type="checkbox"/>	11	026.330130.000	DIAPHRAGM	1
<input type="checkbox"/>	12	026.330140.000	PLUG	1
<input type="checkbox"/>	13	037.330130.000	CAP	1
<input type="checkbox"/>	14	037.330140.000	SHOCK ABSORBER BODY	1
<input type="checkbox"/>	15	037.330150.000	SHOCK ABSORBER BODY	1
<input type="checkbox"/>	16	031.330120.000	WASHER	1
<input type="checkbox"/>	17	026.330210.000	BAND	1
<input type="checkbox"/>	18	031.330140.000	WASHER	1

<input type="checkbox"/>	19	037.330160.000	SHOCK TUBE	1
<input type="checkbox"/>	20	037.330170.000	SEAL KIT	1
<input type="checkbox"/>	21	026.330260.000	PLUG	1
<input type="checkbox"/>	22	037.330188.000	FORK TUBE ASSY	1



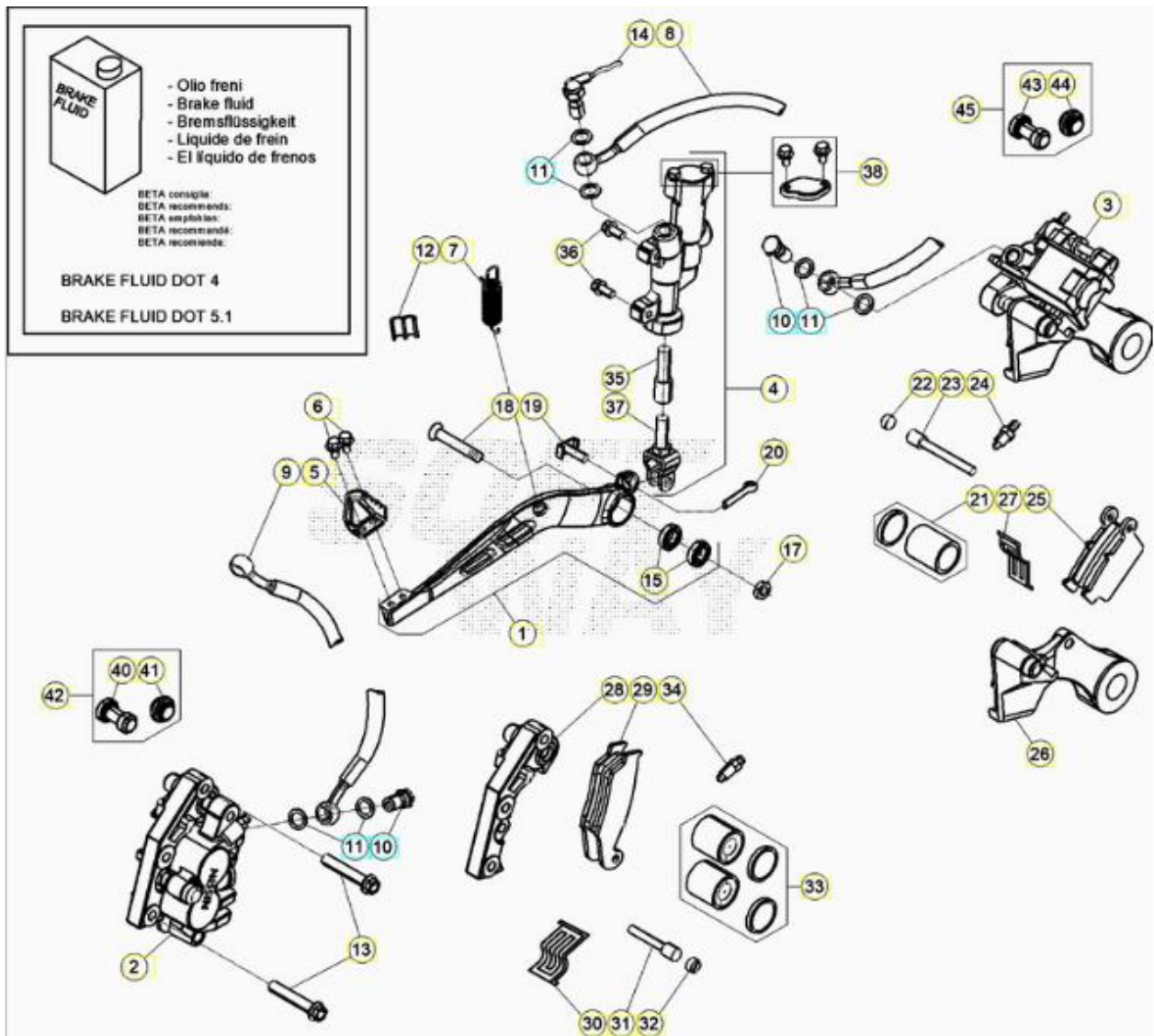
ORDER QTY	REF. NO.	PART NO.	FRONT FORK DESCRIPTION	350 RR RACE 4T
<input type="checkbox"/>	1	037.340638.000	FRONT FORK	1
<input type="checkbox"/>	2	037.340618.000	RIGHT FORK	1
<input type="checkbox"/>	3	037.340628.000	LEFT FORK	1
<input type="checkbox"/>	4	020.340040.000	FRONT FORK 20X1,5 NUT RR 4T MY'11	1
<input type="checkbox"/>	5	11.55440.000	BOLT 8.30 RS CH10	1
<input type="checkbox"/>	6	11.55510.000	BOLT 8.40	4
<input type="checkbox"/>	7	10.66420.000	O.RING 20,22,3,53 NBR	1
<input type="checkbox"/>	8	037.340014.259	UPPER TRIPLE CLAMP BLACK RR	1
<input type="checkbox"/>	9	037.340028.059	TRIPLE CLAMP ASSY BLACK RR	1
<input type="checkbox"/>	10	037.340210.000	FORK SLIDER	1
<input type="checkbox"/>	11	037.340590.000	SEALING RING	1
<input type="checkbox"/>	12	037.340230.000	BUSHING, GUIDE	1
<input type="checkbox"/>	13	037.340240.000	SEALING RING	1

	14	037.340250.000	STOP RING	1
	15	037.340260.000	GUARD	1
	16	037.340270.000	DUST COLLAR	1
	17	037.340220.000	BUSHING, PISTON	2
	18	037.340320.000	FORK TUBE ASSY	1
	19	037.340330.000	FORK TUBE ASSY	1
	20	037.340310.000	SCREW M8X25	1
	21	037.340450.000	SEALING RING	1
	22	037.340460.000	SEALING RING	1
	23	037.340470.000	SEALING RING	1
	24	037.340480.000	FORK CAP	1
	25	037.340290.000	EXTENSION GROUP	1
	26	037.340300.000	ADJUSTMENT	1
	27	037.340350.000	SEALING RING	1
	28	037.340340.000	SPRING GUIDE	1
	29	037.340390.000	SEALING RING	1
	30	037.340360.000	NUT	1
	31	041.340250.000	GAS PISTON	1



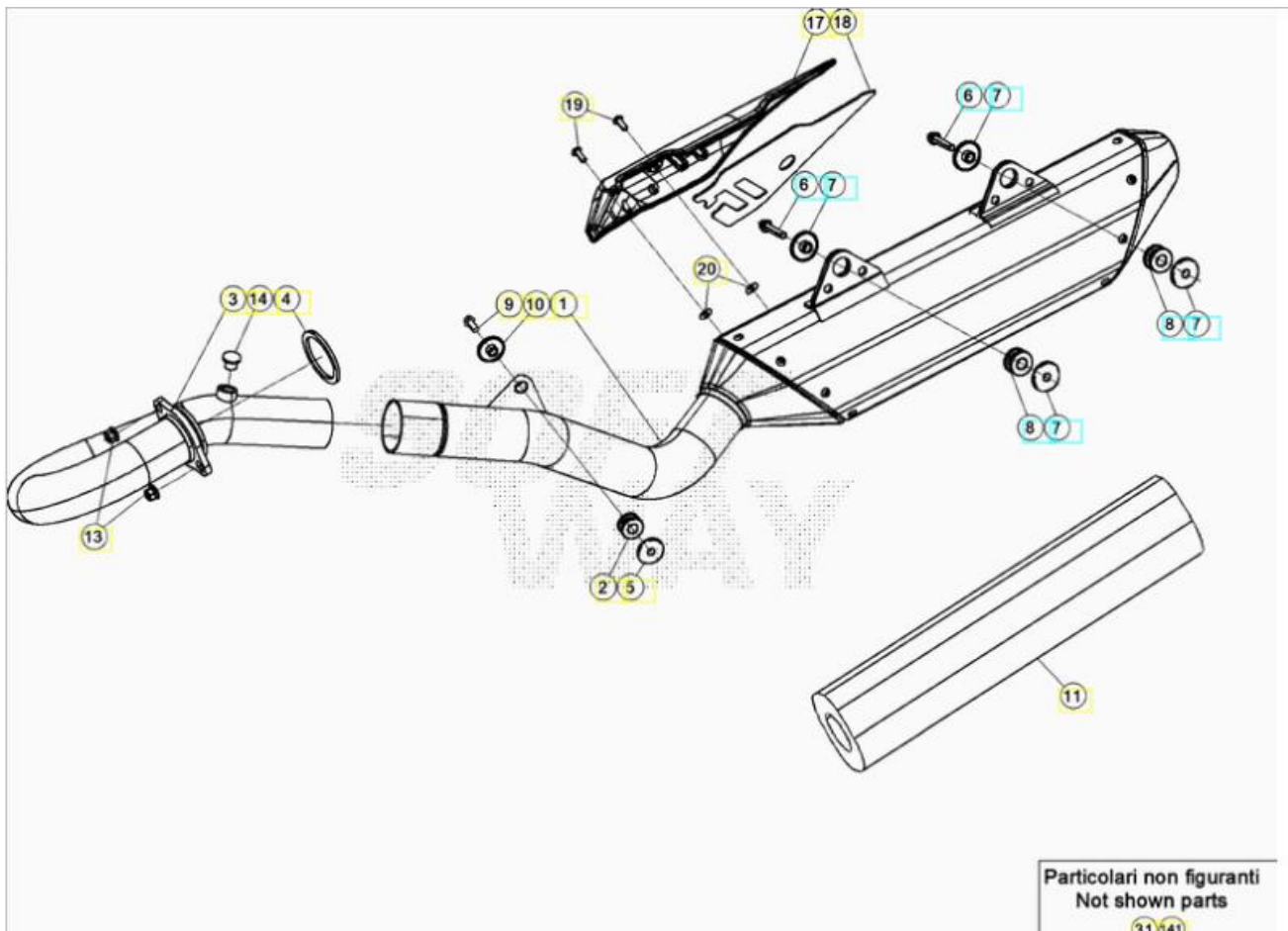
ORDER QTY	REF. NO.	PART NO.	CONTROLS HANDLEBARS DESCRIPTION	350 RR RACE 4T
<input type="checkbox"/>	1	037.350000.059	HANDLEBAR BLACK	1
<input type="checkbox"/>	2	036.350050.000	BETA FACTORY GRIPS	2
<input type="checkbox"/>	2	AB.10110	BETA FACTORY GRIPS	1
<input type="checkbox"/>	3	037.350018.000	THROTTLE CONTROL WITH GRIPS RR 4T	2
<input type="checkbox"/>	4	037.350048.200	THROTTLE CABLE	1
<input type="checkbox"/>	5	21.02057.059	FRONT BRAKE LEVER, RACING	1
<input type="checkbox"/>	6	020.351208.200	CLUTCH LEVER, RR 4T	1
<input type="checkbox"/>	7	12.08253.000	UPPER HANDLEBAR BRACKET, FORK 15.08	1
<input type="checkbox"/>	8	12.08263.000	LOWER HANDLEBAR BRACKET, FORK 15.08	1
<input type="checkbox"/>	9	016.350100.000	DEVICE, RR 4T	1
<input type="checkbox"/>	10	026.400470.000	ON/OFF DEVICE	1
<input type="checkbox"/>	11	31.64070.000	SCREW 8.30	1
<input type="checkbox"/>	12	31.65626.000	SCREW TCCE M10.25 SPECIAL HEAD	1
<input type="checkbox"/>	13	21.27104.000	FRONT BRAKE LEVER ONLY (2102057)	2
<input type="checkbox"/>	14	15.14264.000	TIE WRAP	1
<input type="checkbox"/>	14	037.400260.000	TIE WRAP	1
<input type="checkbox"/>	15	31.96832.000	RR4Y BRAKE LEVER SPECIAL SCREW	2
<input type="checkbox"/>	16	13.30911.000	SPECIAL NUT BRAKE LEVER RR4T	2
<input type="checkbox"/>	17	16.33841.000	GROMMET	2
<input type="checkbox"/>	18	31.88604.000	BRAKE LEVER ADJ. SCREW	2
<input type="checkbox"/>	19	22.38704.000	FRONT BRAKE LEVER RETURN SPRING	2
<input type="checkbox"/>	20	20.08258.000	BRAKE PUMP PISTON ASSY	2
<input type="checkbox"/>	21	31.23410.052	SCREW	2
<input type="checkbox"/>	22	031.360038.200	BRAKE PUMP COVER	2
<input type="checkbox"/>	23	16.50510.000	GASKET 10.15.1 COPPER	6
<input type="checkbox"/>	24	037.360020.000	BRAKE HOSE	1
<input type="checkbox"/>	25	18.89621.000	STOP SWITCH, M10 X 1,25	1
<input type="checkbox"/>	26	11.65040.000	SPECIAL BOLT	1
<input type="checkbox"/>	27	037.350030.000	CLUTCH HOSE RR 4T	1
<input type="checkbox"/>	28	020.350320.000	JOINT.P.	2
<input type="checkbox"/>	29	020.350250.000	CLAMP, CLUTCH CONTROL LEVER	2
<input type="checkbox"/>	30	020.350230.000	RESERVOIR CAP, CLUTCH CONTROL LEVER	2
<input type="checkbox"/>	31	020.350280.000	ANTI.BUBBLE, CLUTCH CONTROL LEVER	2
<input type="checkbox"/>	32	020.350290.000	PUSH.ROD, CLUTCH CONTROL LEVER	2
<input type="checkbox"/>	33	020.350240.000	LEVER PIN, CLUTCH CONTROL LEVER	2
<input type="checkbox"/>	34	020.350300.000	SPRING GUIDE, CLUTCH CONTROL LEVER	2

<input type="checkbox"/>	35	020.350270.000	DUST COVER, CLUTCH CONTROL LEVER	2
<input type="checkbox"/>	36	020.350220.000	LEVER, CLUTCH CONTROL LEVER	2
<input type="checkbox"/>	37	020.350260.000	PISTON SET, CLUTCH CONTROL LEVER	2
<input type="checkbox"/>	38	11.65053.000	RR4T BRAKE TUBE M10X25 BOLT	1
<input type="checkbox"/>	39	031.350130.000	PROTECTION	1
<input type="checkbox"/>	40	037.430160.059	HANDLEBAR PROTECTION BLACK RR	1
<input type="checkbox"/>	41	026.460058.251	BETA RACING HANDGUARDS, WHITE	1
<input type="checkbox"/>	41	AB.12107.W	BETA RACING HANDGUARDS, WHITE	1
<input type="checkbox"/>	42	008.350030.000	COVER	1
<input type="checkbox"/>	47	031.350140.000	THROTTLE TUBE	1

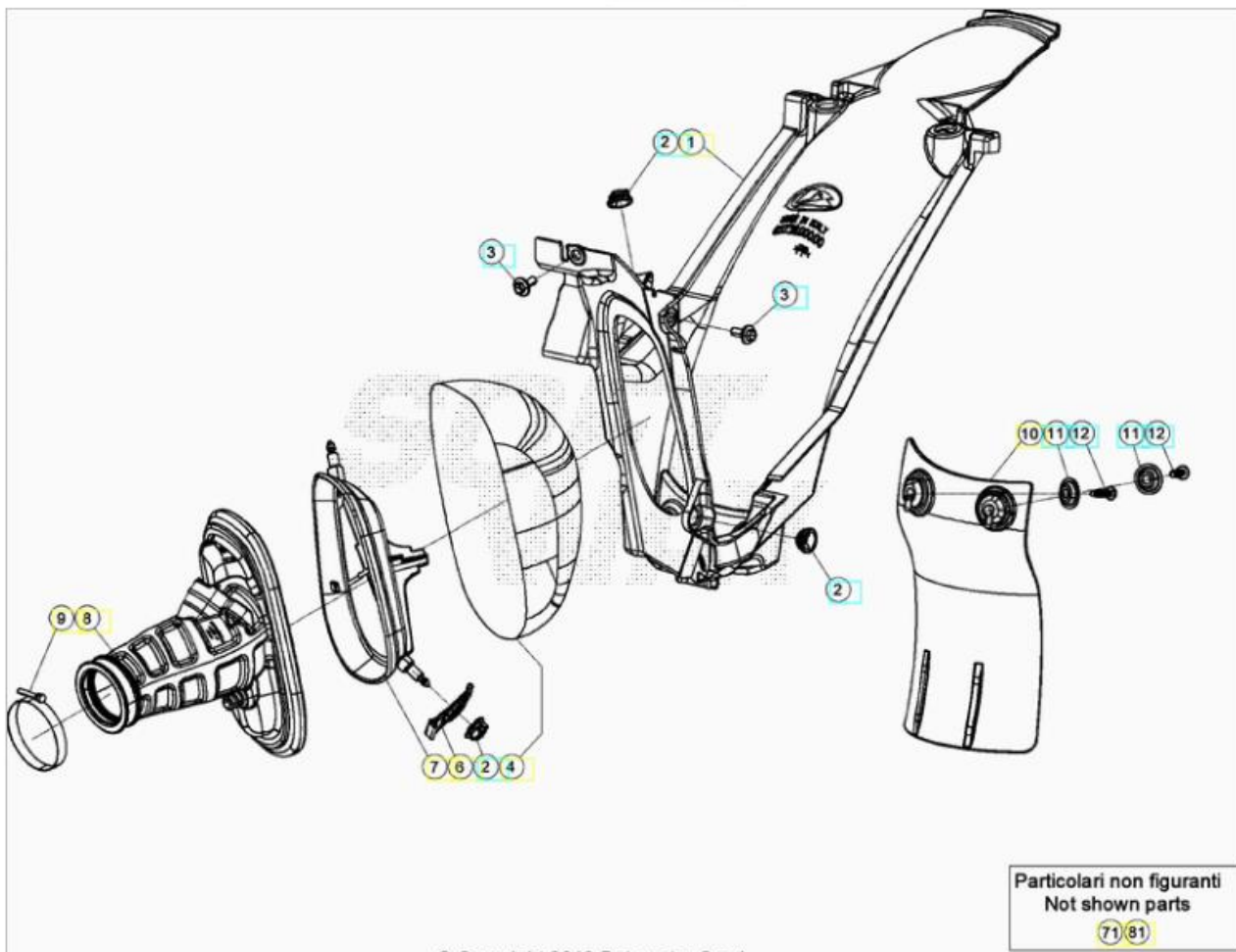


ORDER QTY	REF. NO.	PART NO.	HYDRALIC BRAKE SYSTEM DESCRIPTION	350 RR RACE 4T
<input type="checkbox"/>	1	037.360048.059	FOOT BRAKE LEVER	1
<input type="checkbox"/>	2	25.03056.000	FRONT DISC BRAKE CALIPER, RR 4T	1
<input type="checkbox"/>	3	25.03066.000	REAR DISC BRAKE CALIPER, RR 4T	1
<input type="checkbox"/>	4	25.91178.000	PUMP, REAR BRAKE	1
<input type="checkbox"/>	5	22.90053.000	FOOTREST HUB, RR 4T	1

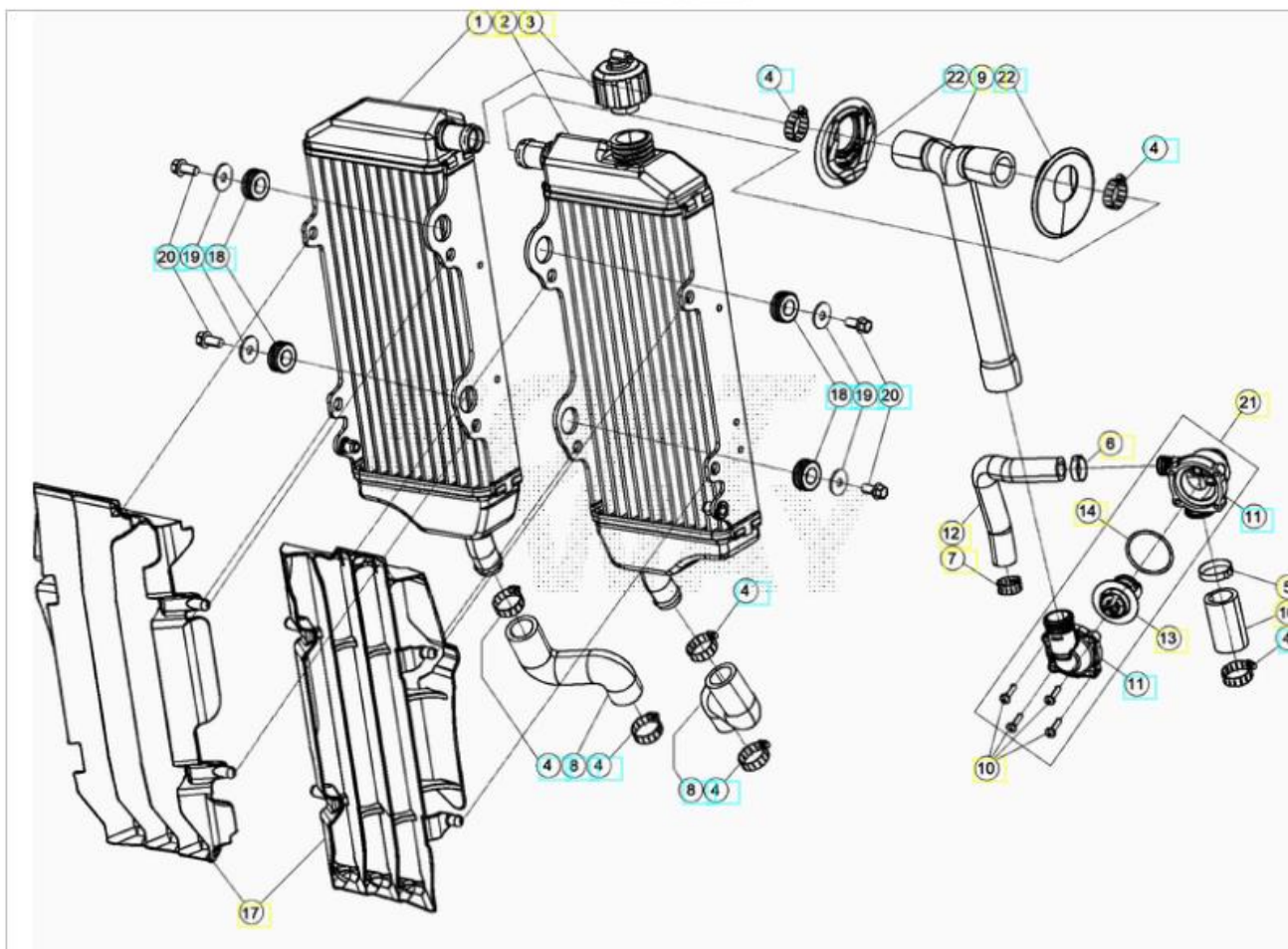
	6	11.46251.000	BOLT 5,12	1
	7	037.360030.000	SPRING	1
	8	29.09428.000	REAR BRAKE HOSE, RR 4T '07	1
	9	037.360020.000	BRAKE HOSE	1
	10	11.65053.000	RR4T BRAKE TUBE M10X25 BOLT	2
	11	16.50510.000	GASKET 10.15.1 COPPER	3
	12	25.24442.000	FAIR LEAD, 6/8	1
	13	026.110110.000	FLANGE BOLT 8X35	1
	14	18.89621.000	STOP SWITCH, M10 X 1,25	1
	15	C06010470000	BEARING 10X26X8 . 2RSH	1
	17	13.21060.000	NUT, M10X1,25 H.8.5 14MM SELF.LOCKI	1
	18	037.360010.000	SPECIAL BOLT M10X1,25X35	1
	19	25.41830.000	PIN	1
	20	12.81995.000	CLIP 2.15 INOX	1
	21	20.02717.000	PISTON & OIL SEAL KIT FOR PLIERS 25	1
	22	31.96821.000	PIN PLUG, FOR 2503056/2503066	2
	23	25.41860.000	PIN HANGER, FOR 25.03066.000	1
	24	28.91002.000	BREATHER PIPE	1
	25	25.25362.000	BRAKE PADS	1
	26	020.360110.000	REAR BRAKE CALIPER BRACKET ASSY	1
	27	22.32208.000	BRAKE PADS SPRING FOR PLIERS	1
	28	020.360120.000	FRONT BRAKE CALIPER BRACKET ASSY	1
	29	25.25365.000	FR BRAKE PADS	1
	30	22.32207.000	BRAKE PADS SPRING FOR PLIERS	1
	31	25.41859.000	PIN HANGER, FOR 25.03056.000	1
	33	20.02716.000	PISTON & OIL SEAL KIT FOR PLIERS 25	1
	34	28.91001.000	BREATHER PIPE	1
	35	20.08276.000	KIT PISTON, BRAKE PUMP 25.91178	1
	36	31.30750.000	SCREW 6.16	1
	37	20.08277.000	KIT LEVER, BRAKE PUMP 25.91178	1
	38	20.08275.000	KIT, BRAKE PUMP TANK 25.91178	1
	40	036.360020.000	BUSHING	1
	41	036.360030.000	BUSHING	1
	42	036.360068.200	FRONT BUSHING KIT	1
	43	036.360040.000	BUSHING	1
	44	036.360050.000	BUSHING	1
	45	036.360078.200	REAR BUSHING KIT	1



ORDER QTY	REF. NO.	PART NO.	EXHAUST SYSTEM DESCRIPTION	350 RR RACE 4T
<input type="checkbox"/>	1	037.370118.000	SILENCER RR.S 4T	1
<input type="checkbox"/>	2	007.370350.000	RUBBER SILENT BLOCK	1
<input type="checkbox"/>	3	037.370080.000	EXHAUST MANIFOLD RR 4T	1
<input type="checkbox"/>	4	020.370040.000	SEALING EXHAUST FLANGE	1
<input type="checkbox"/>	5	007.370370.000	SILENT BLOCK THREADED CUP	1
<input type="checkbox"/>	6	11.50300.000	BOLT 6.30 RS CH8	2
<input type="checkbox"/>	7	026.370060.000	SPACER	4
<input type="checkbox"/>	8	032.370130.000	EXHAUST PIPE SILENT BLOCK	2
<input type="checkbox"/>	9	11.49070.000	BOLT 6.20	1
<input type="checkbox"/>	10	037.370210.000	SPACER	1
<input type="checkbox"/>	11	031.451088.200	SILENCER . KIT	1
<input type="checkbox"/>	13	13.17121.000	NUT M8, SPECIAL CH.10	1
<input type="checkbox"/>	14	031.370300.000	OXYGEN SENSOR PLUG	1
<input type="checkbox"/>	17	037.370098.559	SILENCER GUARD RR 4T	1
<input type="checkbox"/>	18	037.370100.000	HEAT GUARD RR 4T	1
<input type="checkbox"/>	19	31.29810.000	SCREW 5.12	1
<input type="checkbox"/>	20	16.47491.000	GASKET	1

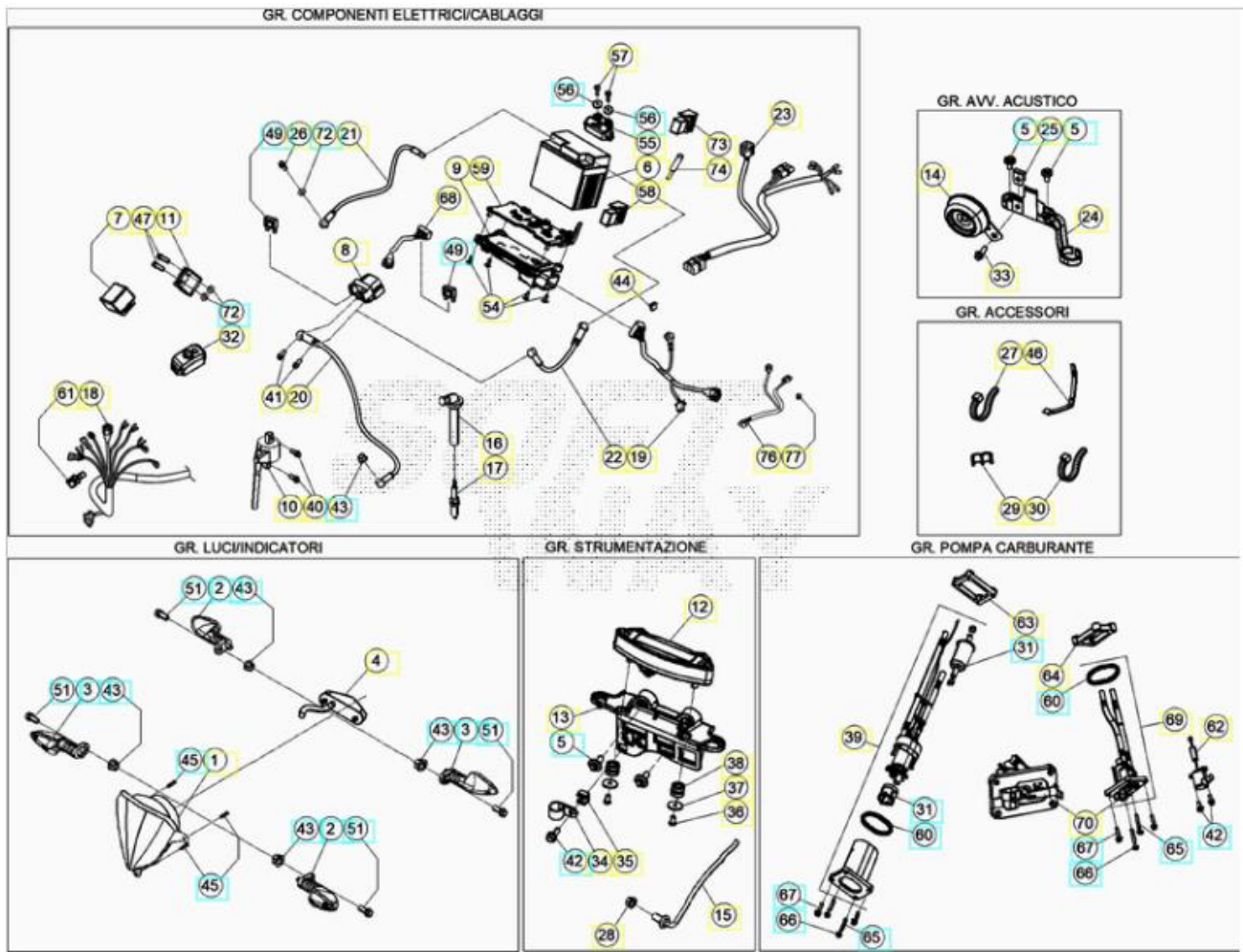


ORDER QTY	REF. NO.	PART NO.	AIR BOX DESCRIPTION	350 RR RACE 4T
<input type="checkbox"/>	1	037.380008.759	AIRBOX BLACK RR	1
<input type="checkbox"/>	2	037.380030.000	INSERT 2T	3
<input type="checkbox"/>	3	037.430290.000	SPECIAL BOLT M6X12	2
<input type="checkbox"/>	4	037.380028.200	AIR FILTER	1
<input type="checkbox"/>	6	037.380060.059	AIR BOX BRACKET BLACK RR	1
<input type="checkbox"/>	7	037.380018.700	AIR FILTER CAGE RR 4T	1
<input type="checkbox"/>	8	037.380040.000	AIRBOX SLEEVE RR 4T	1
<input type="checkbox"/>	9	15.14606.000	CLAMP	1
<input type="checkbox"/>	10	026.380071.059	PROTECTION REAR SHOCK	1
<input type="checkbox"/>	11	27.74786.000	WASHER	2
<input type="checkbox"/>	12	31.30815.000	SCREW 6.20	2



















ORDER QTY	REF. NO.	PART NO.	COOLING SYSTEM DESCRIPTION	350 RR RACE 4T
<input type="checkbox"/>	1	037.390270.000	RADIATOR RR 4T	1
<input type="checkbox"/>	2	037.390280.000	RADIATOR RR 4T	1
<input type="checkbox"/>	3	037.390210.000	RADIATOR CAP RR 4T	1
<input type="checkbox"/>	4	15.15240.000	CLAMP 16/27	7
<input type="checkbox"/>	5	C07160050000	CLAMP D.25	1
<input type="checkbox"/>	6	020.390090.000	SELF LOCKING CLAMP, 17	1
<input type="checkbox"/>	7	15.15220.000	CLAMP	1
<input type="checkbox"/>	8	037.390130.000	RADIATOR HOSE RR 4T	2
<input type="checkbox"/>	9	037.390090.000	THERMOSTAT HOSE RR 4T	1
<input type="checkbox"/>	10	031.390175.000	SCREW	1
<input type="checkbox"/>	11	037.390060.000	THERMOSTAT CASE RR	2
<input type="checkbox"/>	12	037.390120.000	THERMOSTAT HOSE RR 4T	1
<input type="checkbox"/>	13	020.390130.000	TERMOSTAT RR 4T MY'10	1
<input type="checkbox"/>	14	10.66830.000	O.RING	1
<input type="checkbox"/>	16	040.390000.000	WATER HOSE RR 2T	1
<input type="checkbox"/>	17	037.390030.051	RADIATOR LOUVER PAIR WHITE RR	1
<input type="checkbox"/>	18	035.390060.000	SILENT BLOCK	2
<input type="checkbox"/>	19	27.43250.000	WASHER 6.24	2
<input type="checkbox"/>	20	11.47015.000	BOLT 6.12 RS CH8	2

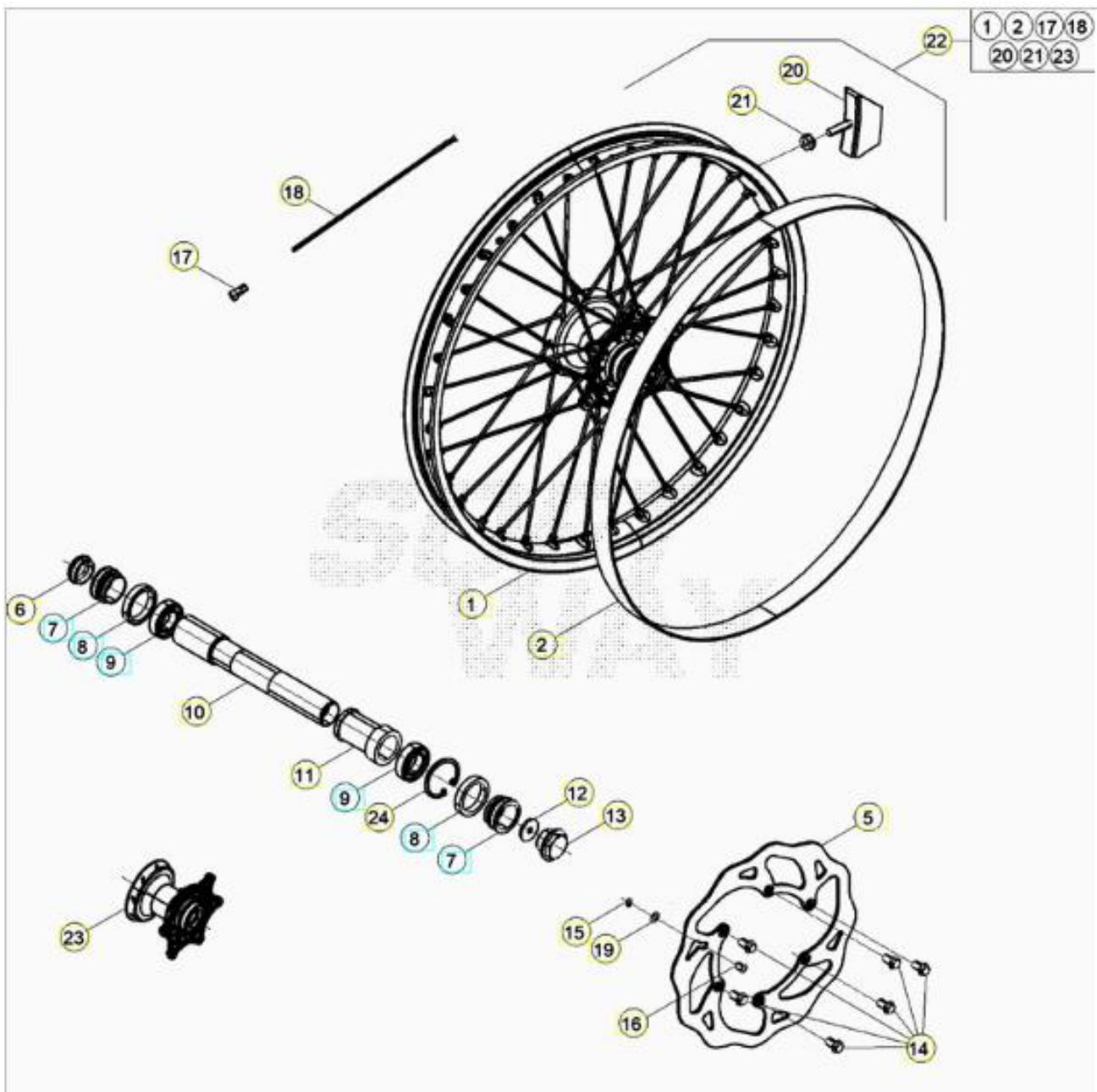
<input type="checkbox"/>	21	037.390068.000	THERMOSTAT RR 4T	1
<input type="checkbox"/>	22	037.390150.000	CAP	2



ORDER QTY	REF. NO.	PART NO.	ELECTRICAL EQUIPMENT DESCRIPTION	350 RR RACE 4T
<input type="checkbox"/>	1	031.400060.000	HEADLIGHT, RR 4T '08	1
<input type="checkbox"/>	1	16.46210.000	HEADLIGHT, RR 4T '08	1
<input type="checkbox"/>	4	037.400630.000	TAIL LIGHT	1
<input type="checkbox"/>	5	037.430280.000	SPECIAL BOLT M6X8	3
<input type="checkbox"/>	6	AB.62009	UNIBAT LITHIUM BATTERY	1
<input type="checkbox"/>	8	27.28471.000	RELAIS, STARTING	1
<input type="checkbox"/>	9	031.400151.000	CDI, BLANK	1
<input type="checkbox"/>	10	031.400213.700	IGNITION COIL	1
<input type="checkbox"/>	11	031.400253.700	REGULATOR	1
<input type="checkbox"/>	12	037.400050.000	DIGITAL DASHBOARD RR 4T	1
<input type="checkbox"/>	13	037.400010.000	DASHBOARD BRACKET RR	1
<input type="checkbox"/>	14	007.400500.000	HORN	1
<input type="checkbox"/>	15	031.401660.000	SPEEDO SENSOR	1
<input type="checkbox"/>	16	006.100550.000	SPARK PLUG CONNECTOR RR4T MY'10	1
<input type="checkbox"/>	17	006.100500.000	SPARK PLUG, LKAR8A.9	1

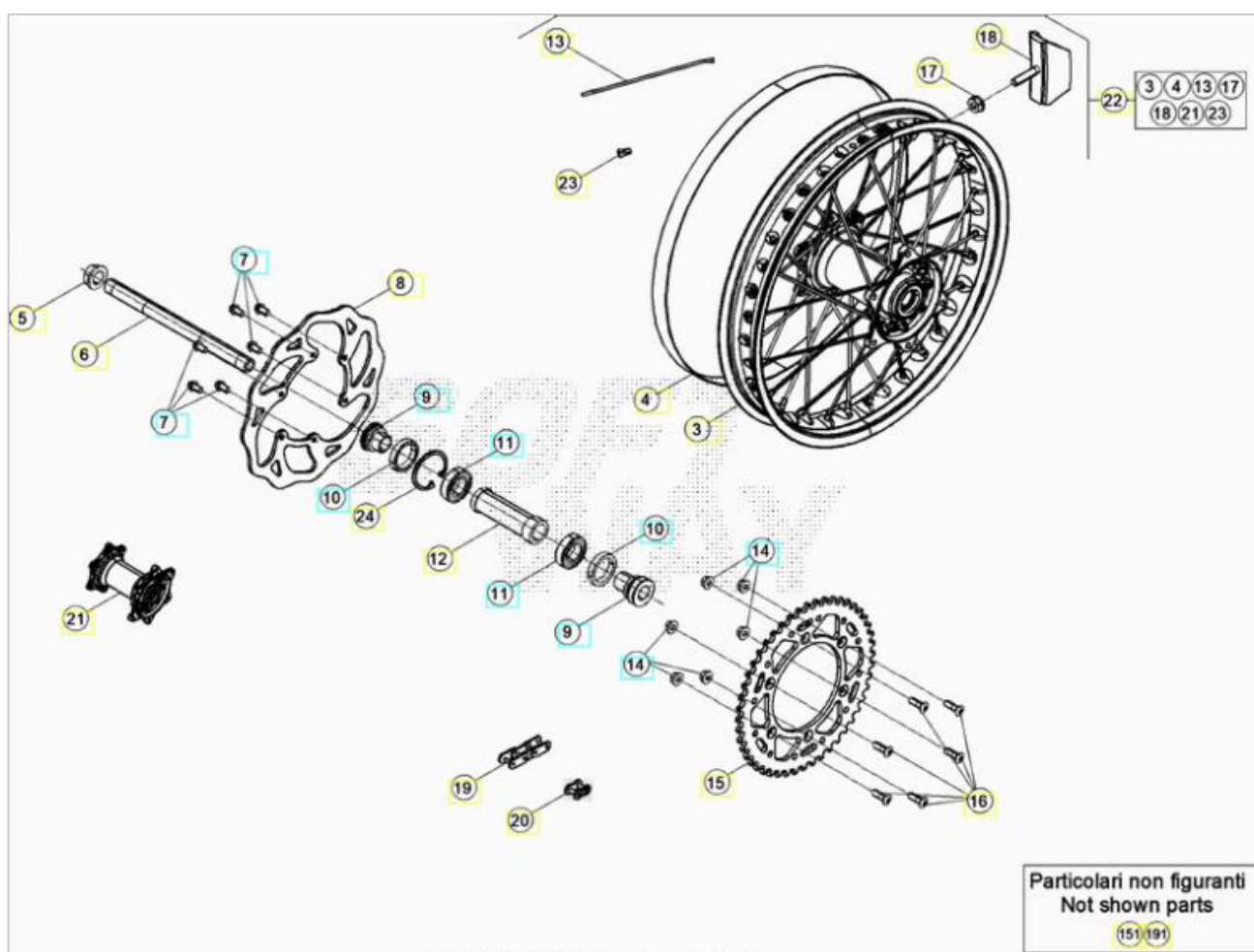
	18	037.400680.000	SECONDARY WIRING HARNESS RR 4T	1
	19	037.400528.000	MAIN WIRING HARNESS, RR 4T	1
	20	037.400080.000	RELAY WIRING HARNESS RR 4T	1
	21	020.400020.000	RR4T MY'10 GROUND WIRING SYSTEM	1
	22	037.400070.000	RELAY WIRING HARNESS	1
	23	037.400090.000	SECONDARY WIRING HARNESS RR 4T	1
	24	037.400230.059	HORN BRACKET BLACK RR	1
	25	25.60311.000	M6 SCREW PLATE	1
	26	31.38020.000	SCREW 6.10	1
	27	037.400260.000	TIE WRAP	1
	28	13.17121.000	NUT M8, SPECIAL CH.10	1
	29	25.24443.000	FAIR LEAD, 6/6	1
	30	15.14264.000	TIE WRAP	1
	30	037.400260.000	TIE WRAP	1
	31	031.400438.200	FUEL PUMP FILTER KIT	2
	32	007.400880.000	ECU MAP SWITCH B1	1
	33	11.46501.000	BOLT 6.10	1
	34	25.25182.000	CLAMP "NYLPAS016R"	1
	35	037.400300.000	PRICE IS 0.00	1
	36	31.73000.000	SCREW 4.8	1
	37	27.34800.000	WASHER 4.16	3
	38	031.400130.000	RUBBER BUFFER	1
	39	037.400318.200	CARBURETOR PUMP . KIT	1
	40	11.49070.000	BOLT 6.20	1
	41	31.30190.000	SCREW 6.8	1
	42	11.46251.000	BOLT 5,12	2
	43	13.12550.000	NUT M6	1
	44	037.400590.000	CAP	1
	45	31.23580.000	PARKER SCREW 4,8.13	2
	46	037.430430.000	BATTERY RUBBER BAND	1
	47	11.47015.000	BOLT 6.12 RS CH8	1
	49	020.400060.000	10/32V FUSE	2
	54	31.23370.000	SCREW 4.11	1
	55	031.400170.000	TILT SENSOR	1
	57	31.23560.000	SCREW	1
	58	031.400390.000	ECU RELAY	1
	59	031.400161.000	ECU FASTENING PLATE	1

	60	031.400448.200	PACKINGS KIT	2
	61	029.130040.000	TEMP SENSOR	1
	62	037.400020.000	PROBE RR 4T	1
	63	031.430870.000	PLATE	1
	64	031.430900.000	PLATE	1
	65	C24750020000	STUD 5X22	2
	66	C24070130000	LOCKING NUT	2
	67	11.46401.000	BOLT 5.20 RS CH8	2
	68	037.400060.000	WIRING HARNESS FUSES RR 4T	1
	69	031.400458.200	REGULATOR KIT	1
	70	031.400498.200	QUICK DISCONNECT	1
	72	27.40500.000	WASHER 6.12.1,6 DIN 125	2
	73	037.400710.000	RELAY	1
	74	037.400540.000	RECTIFIER	1
	76	031.400780.000	ELECTRICAL DIAGNOSIS SYSTEM	1
	77	031.400740.000	PLUG	1



ORDER QTY	REF. NO.	PART NO.	WHEEL . FRONT DESCRIPTION	350 RR RACE 4T
<input type="checkbox"/>	1	031.410460.059	FRONT RIM	2
<input type="checkbox"/>	2	15.38200.000	BEAD 21.25	2
<input type="checkbox"/>	5	031.410300.000	FRONT BRAKE DISC	1
<input type="checkbox"/>	5	031.410308.200	FRONT BRAKE DISC	1
<input type="checkbox"/>	6	026.410028.200	WHEEL SPINDLE CAP	1
<input type="checkbox"/>	7	031.410040.000	HUB SPACER, RR 4T	2
<input type="checkbox"/>	8	10.66000.000	SEAL 35.47.7	2
<input type="checkbox"/>	9	020.410030.000	BEARING 30.47.9	2
<input type="checkbox"/>	10	020.410050.000	FRONT WHEEL SPINDLE, RR 4T MY'11	1
<input type="checkbox"/>	11	031.410150.000	INNER SPACER	1
<input type="checkbox"/>	12	020.411100.000	PLUG	1
<input type="checkbox"/>	13	020.410060.000	PLUG, FRONT WHEEL SPINDLE RR 4T MY'	1
<input type="checkbox"/>	14	031.410160.000	DISC SPEC. SCREW 6X14	1

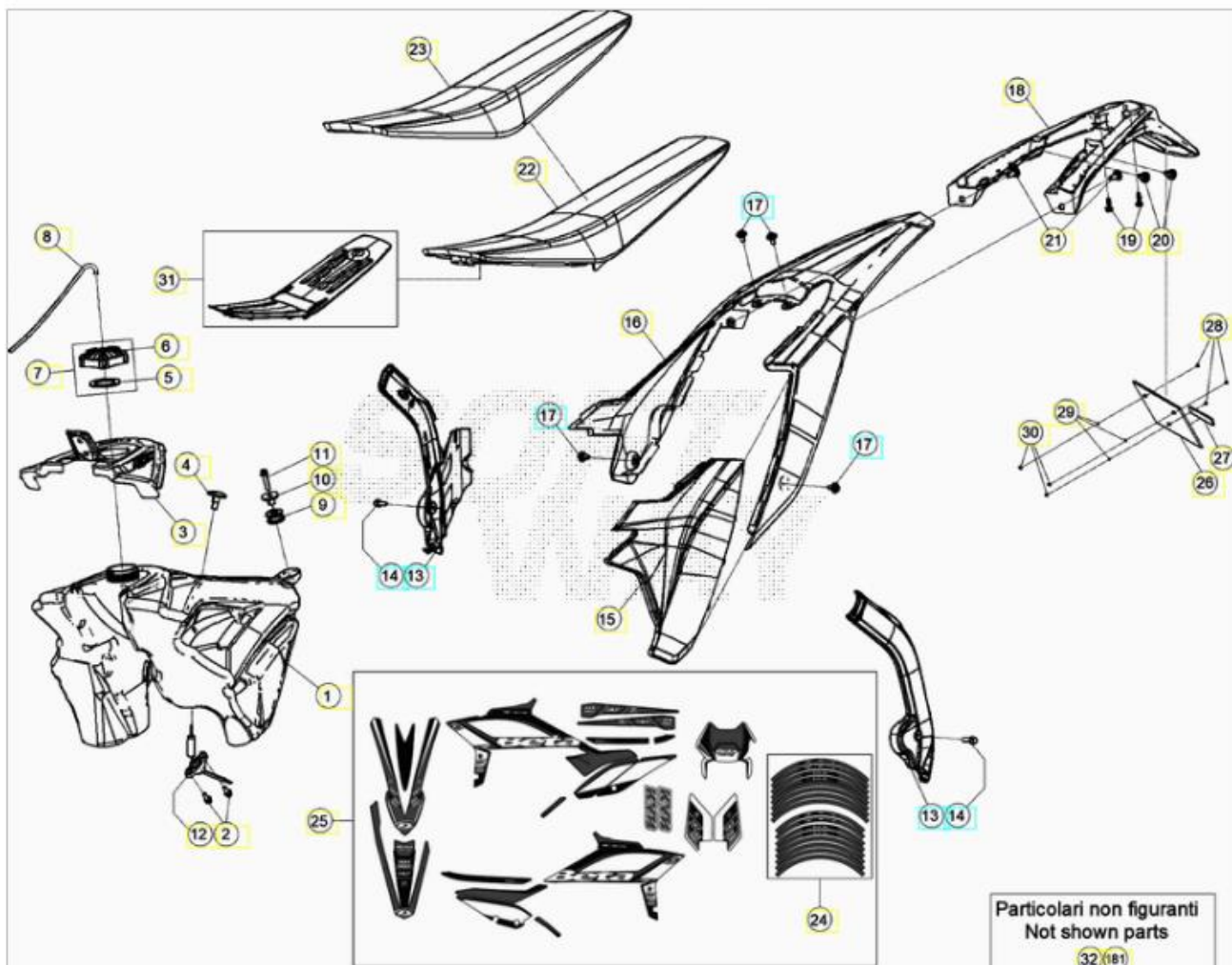
<input type="checkbox"/>	14	031.410430.000	DISC SPEC. SCREW 6X14	1
<input type="checkbox"/>	15	28.22660.000	SEEGER 9E	1
<input type="checkbox"/>	16	021.410050.000	MAGNETE, HALL SENSOR	1
<input type="checkbox"/>	17	031.410500.000	NIPPLE	2
<input type="checkbox"/>	18	031.410490.052	SPOKE	2
<input type="checkbox"/>	19	27.58080.000	WASHER 9 . 13 . 0,4	1
<input type="checkbox"/>	20	036.410100.000	RIM LOCK	2
<input type="checkbox"/>	21	13.17120.000	NUT M8	2
<input type="checkbox"/>	22	026.410010.059	FR WHEEL ASSY	1
<input type="checkbox"/>	23	031.410148.000	FRONT HUB, RR 4T	2
<input type="checkbox"/>	24	C01260010000	CIRCLIP 47X1.75	1



© Copyright 2016 Betamotor S.p.A

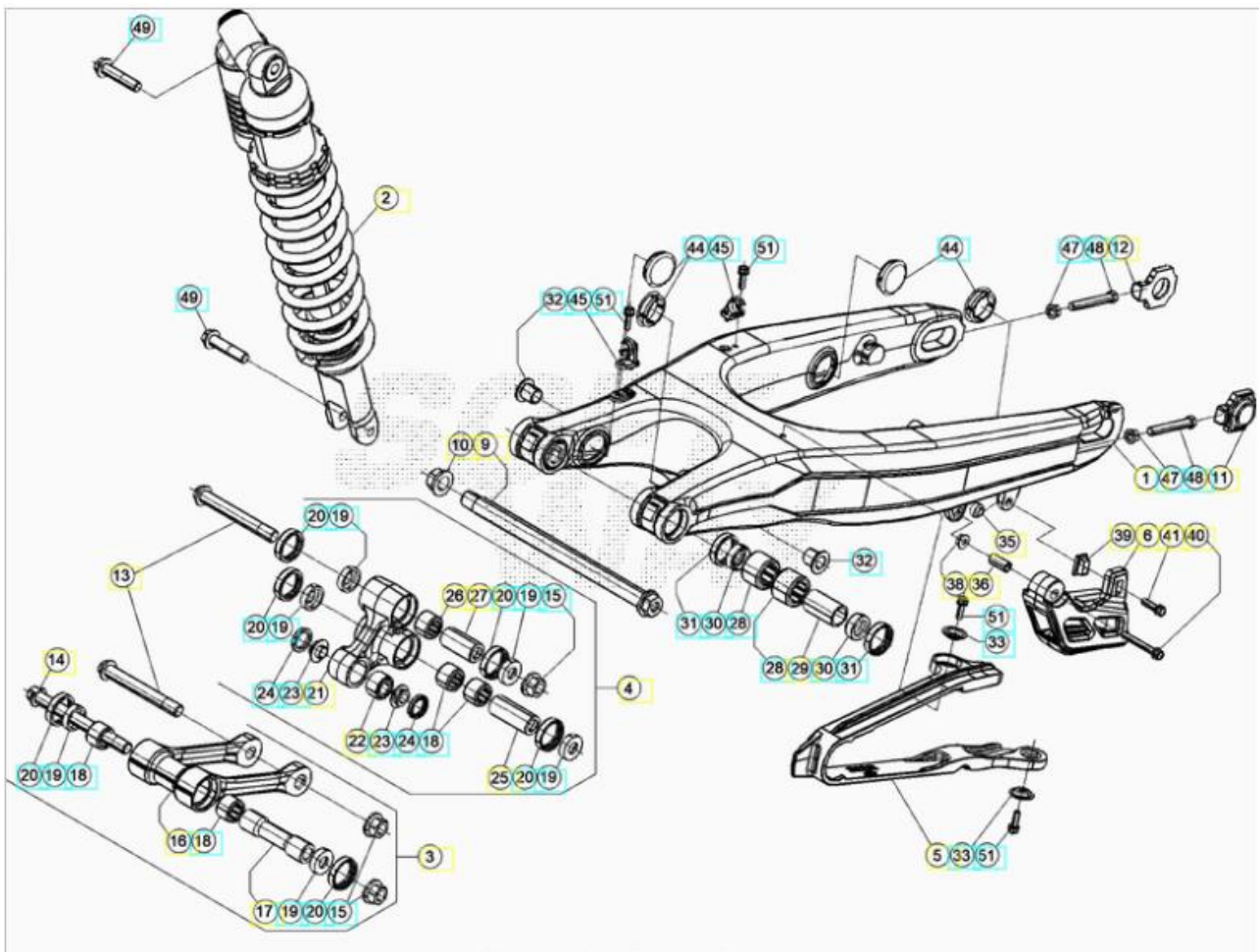
ORDER QTY	REF. NO.	PART NO.	WHEEL . REAR DESCRIPTION	350 RR RACE 4T
<input type="checkbox"/>	3	031.420340.059	REAR RIM	2
<input type="checkbox"/>	4	15.36000.000	BEAD 17/18.25	2
<input type="checkbox"/>	5	13.27120.000	SPECIAL NUT	1
<input type="checkbox"/>	6	25.55812.000	REAR WHEEL SPINDLE, RR 4T	1
<input type="checkbox"/>	7	031.410160.000	DISC SPEC. SCREW 6X14	2
<input type="checkbox"/>	7	031.410430.000	DISC SPEC. SCREW 6X14	1

	8	031.420300.000	BRAKE DISC	1
	8	031.420308.200	BRAKE DISC	1
	9	031.420020.000	REAR HUB SPACER, RR 4T	2
	10	10.66000.000	SEAL 35.47.7	2
	11	020.420040.000	BEARING 25.47.12	2
	12	031.420050.000	INNER SPACER	1
	13	031.420370.052	REAR SPOKES	2
	14	13.17123.000	NUT M8, (DIN 6927)	2
	15	031.420470.000	SUPERSPROX, 50T 2013+	1
	15	AB.13015.50	SUPERSPROX, 50T 2013+	1
	16	31.96827.000	SCREW, SPEC. TGS TORXS M8X26	1
	17	13.17120.000	NUT M8	2
	18	036.420090.000	RIM LOCK	2
	19	037.420010.000	CHAIN 5/8 1/4 P.116	1
	20	031.420080.000	CONNECTING LINK	1
	21	031.420148.000	REAR HUB, RR4T	2
	22	026.420080.059	REAR WHEEL ASSY	1
	23	031.420510.000	NIPPLE	2
	24	C01260010000	CIRCLIP 47X1.75	1



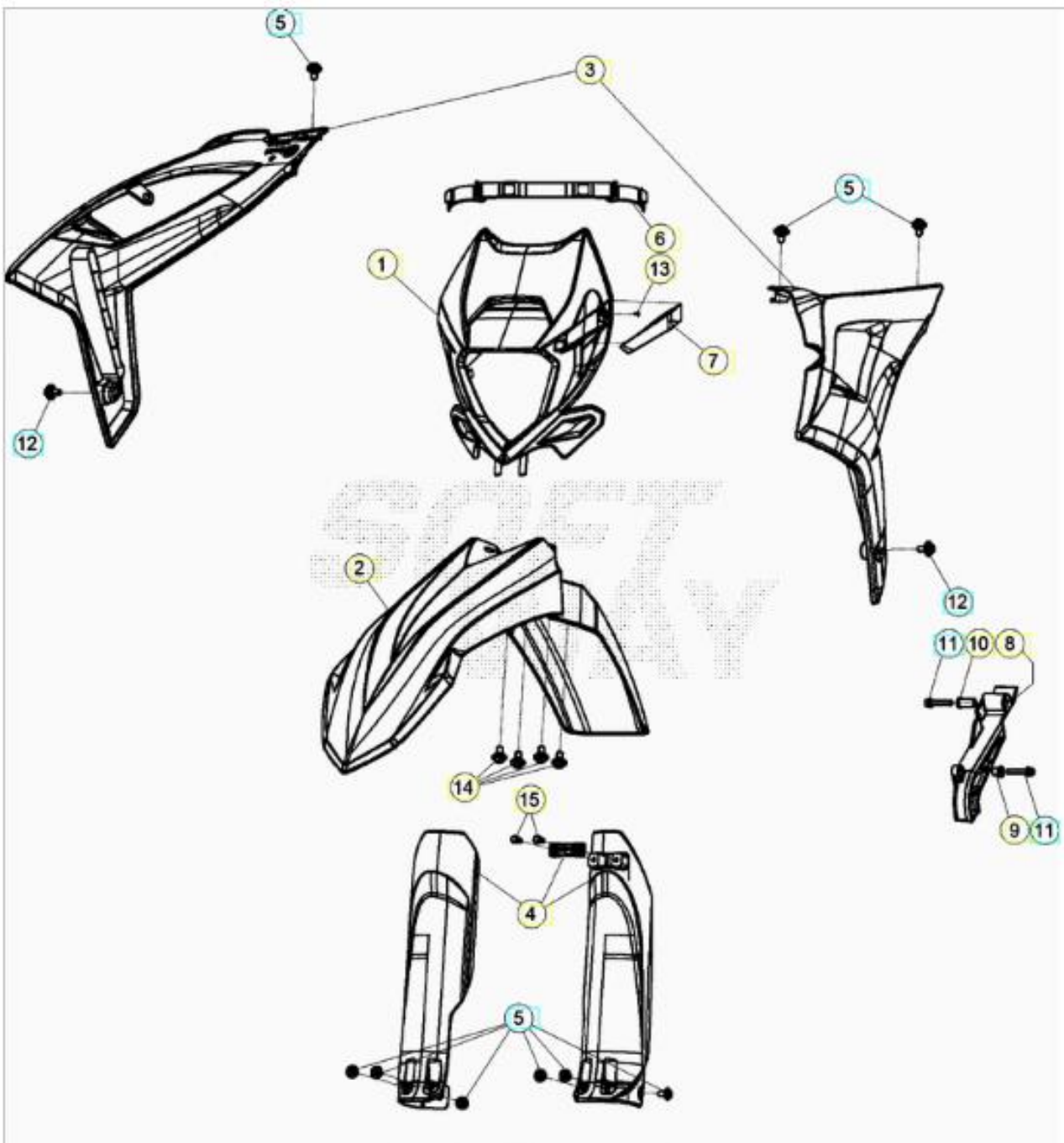
ORDER QTY	REF. NO.	PART NO.	FAIRING . TANK . SEAT DESCRIPTION	350 RR RACE 4T
<input type="checkbox"/>	1	037.430000.051	FUEL TANK WHITE RR 4T	1
<input type="checkbox"/>	2	11.46251.000	BOLT 5,12	1
<input type="checkbox"/>	3	037.430060.032	TANK COVER BLUE RR	1
<input type="checkbox"/>	4	31.89010.000	SPECIAL SCREW	1
<input type="checkbox"/>	5	031.431160.000	CAP GASKET	1
<input type="checkbox"/>	6	036.430418.000	FILLER CAP	1
<input type="checkbox"/>	6	036.430418.200	FILLER CAP	2
<input type="checkbox"/>	8	020.430030.000	EXHAUST TUBE PLUG/VALVE RR 4T MY'10	1
<input type="checkbox"/>	9	032.370130.000	EXHAUST PIPE SILENT BLOCK	1
<input type="checkbox"/>	10	020.430020.000	SPACER, FUEL TANK RR 4T MY'10	1
<input type="checkbox"/>	11	11.50300.000	BOLT 6.30 RS CH8	1
<input type="checkbox"/>	12	037.400020.000	PROBE RR 4T	1
<input type="checkbox"/>	13	037.430190.097	FRAME GUARD . PAIR RED RR	2
<input type="checkbox"/>	14	C24310460000	SCREW M5X8 8.8 DIN6921	2
<input type="checkbox"/>	15	037.430058.797	SIDE PANEL RED RR	1
<input type="checkbox"/>	16	037.430078.797	REAR FENDER RED RR	1
<input type="checkbox"/>	17	037.430280.000	SPECIAL BOLT M6X8	3
<input type="checkbox"/>	18	037.430140.059	TAILLIGHT HOLDER BLACK RR	1

<input type="checkbox"/>	19	31.79960.000	SCREW, 6X15	1
<input type="checkbox"/>	20	037.400290.000	NO DESCRIPTION	1
<input type="checkbox"/>	21	037.430300.000	SPECIAL BOLT M6X16	1
<input type="checkbox"/>	22	037.430758.200	SEAT	1
<input type="checkbox"/>	23	037.430768.200	SEAT COVER	1
<input type="checkbox"/>	24	037.430270.000	RIMS DECALS RR RACING MY20	1
<input type="checkbox"/>	25	037.431038.200	FACTORY RACING GRAPHIC SET, 2021 EDITION	1
<input type="checkbox"/>	26	037.430628.200	HEADLIGHT MASK DECAL RR RACING	1
<input type="checkbox"/>	31	037.430848.000	SEAT PAN	1



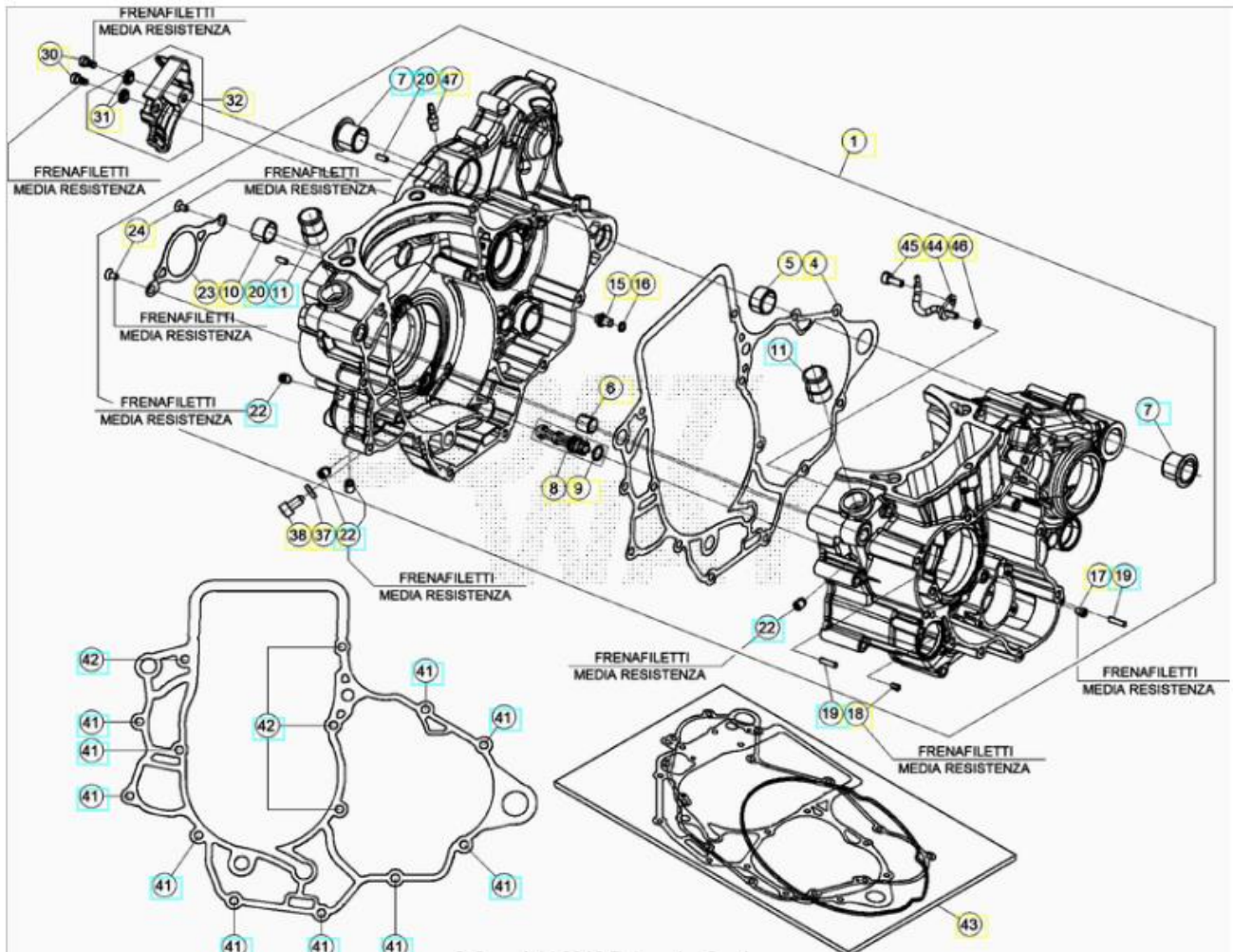
ORDER QTY	REF. NO.	PART NO.	REAR FORK DESCRIPTION	350 RR RACE 4T
<input type="checkbox"/>	1	037.330030.059	SWINGARM BLACK RR	1
<input type="checkbox"/>	2	037.330008.000	SHOCK ABSORBER RR 4T	1
<input type="checkbox"/>	3	020.330308.000	CONNECTING ROD ASSY	1
<input type="checkbox"/>	4	020.330208.000	RELAY ARM ASSY	1
<input type="checkbox"/>	5	037.330060.000	CHAIN SLIDING PROTECTION	1
<input type="checkbox"/>	6	037.330040.053	CHAIN GUIDE RED RR	1
<input type="checkbox"/>	9	037.330055.000	SWINGARM PIVOT BOLT	1
<input type="checkbox"/>	10	037.330085.000	NUT	1
<input type="checkbox"/>	11	031.330034.250	LEFT CHAIN TIGHTENER, RR 2T/4T	1

	12	031.330024.250	RIGHT CHAIN TIGHTENER, RR 2T/4T	1
	13	11.63992.000	BOLT 12 . 1,25 . 96	1
	14	020.330320.000	SPECIAL SCREW M12 X 1.25 X 124	1
	15	13.21130.000	SELF.BLOCKING NUT 12.1,25	2
	16	020.330300.000	CONNECTING ROD ASSY	1
	17	020.330310.000	SPACER, CONNECTING ROD	1
	18	11.22055.000	BEARING, 20 X 26 X 16 RR 4T	3
	19	28.14083.000	ROCKING LEVER CUP, RR 4T	6
	20	10.64481.000	OIL SEAL, 25X32X7	8
	21	020.330200.000	RELAY ARM MACHINED	1
	22	16.17310.000	SEAL 24.12.13	1
	23	11.21920.000	BUSH	2
	24	10.56020.000	OIL SEAL 16.24.4	2
	25	13.62813.000	SPACER, 12 X 20 X 50	1
	26	11.22061.000	SEAL, 20 X 26 X 30	1
	27	13.62812.000	SPACER, 12 X 20 X 40	1
	28	11.22056.000	ROLLER CAGE	2
	29	13.49183.000	SPACER, SWINGING ARM VEM	1
	30	28.14081.000	RR4T SWINGING ARM PART	2
	32	020.330010.000	SWINGINGARM BUSH, RR 4T MY'10	2
	33	27.74786.000	WASHER	2
	35	13.12610.000	NUT, SPECIAL	1
	36	13.49191.000	SPACER	1
	38	13.13020.000	NUT 6, SELF.BLOCKING	1
	39	13.48868.000	SPACER	1
	40	11.50535.000	BOLT 6,45	1
	41	11.49070.000	BOLT 6.20	1
	44	29.10596.136	PLUG, PIVOT PINE SWING ARM (D.30)	2
	45	15.14605.000	CLAMP	2
	47	13.17122.000	NUT M8	2
	48	11.55909.000	BOLT 8.55	2
	49	11.62050.000	BOLT 10.45 1,25(10.9)	2
	51	11.46251.000	BOLT 5,12	4



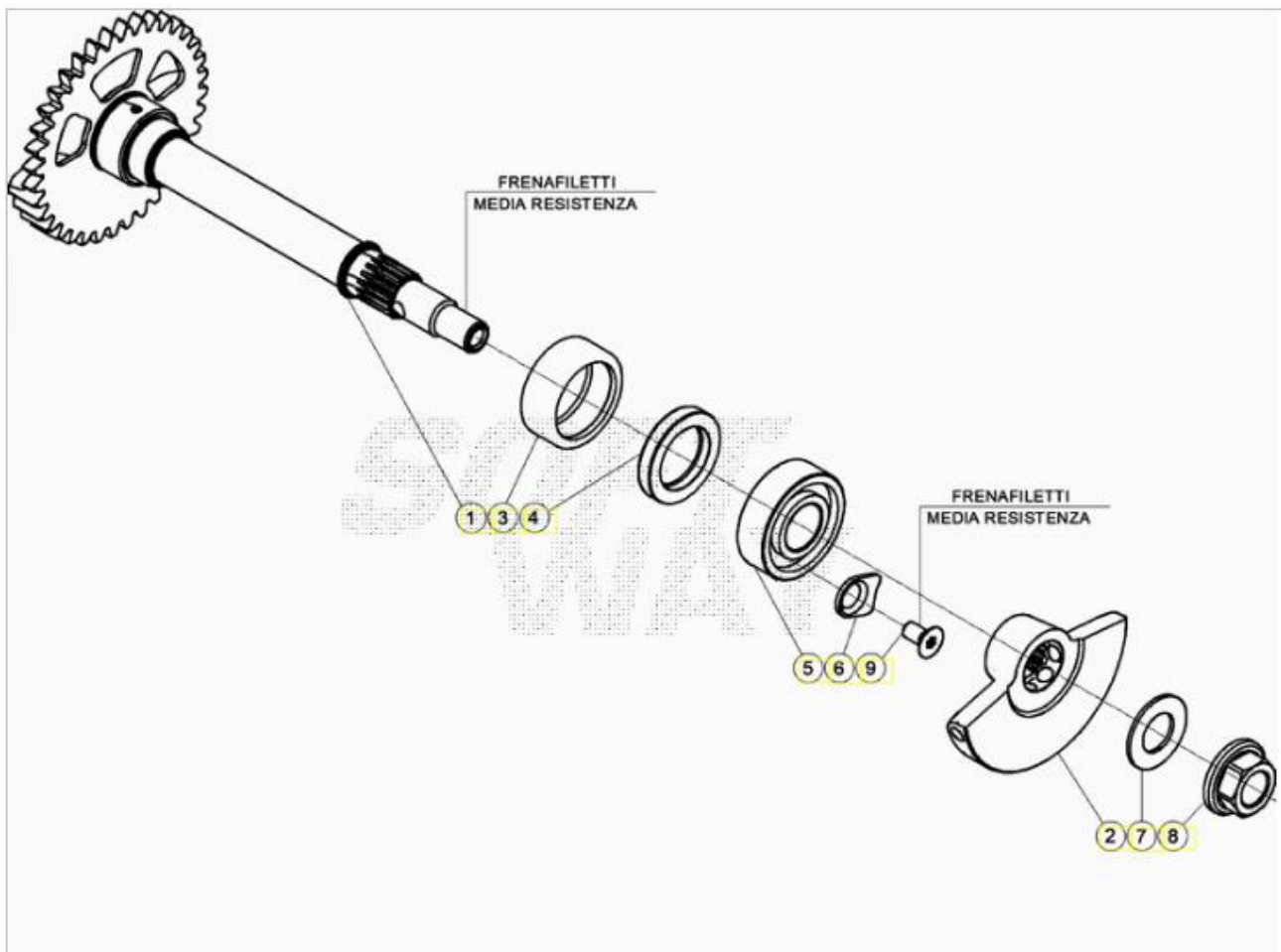
ORDER QTY	REF. NO.	PART NO.	MUDGUARDS DESCRIPTION	350 RR RACE 4T
<input type="checkbox"/>	1	037.430370.051	HEADLIGHT MASK WHITE RR	1
<input type="checkbox"/>	2	037.430090.097	FRONT FENDER RED RR	1
<input type="checkbox"/>	3	037.430010.097	TANK PANEL . PAIR RED RR	1
<input type="checkbox"/>	4	040.430068.251	FORK GUARD	1
<input type="checkbox"/>	5	037.430280.000	SPECIAL BOLT M6X8	3
<input type="checkbox"/>	6	037.430200.059	HEADLIGHT MASK RUBBER BAND	1
<input type="checkbox"/>	7	037.430170.051	FAIRLEAD WHITE RR	1
<input type="checkbox"/>	8	037.430260.059	PINION GUARD BLACK RR 4T	1
<input type="checkbox"/>	9	13.49190.000	SPACER	1
<input type="checkbox"/>	10	13.49189.000	SPACER	1
<input type="checkbox"/>	11	11.50300.000	BOLT 6.30 RS CH8	2

<input type="checkbox"/>	12	037.430300.000	SPECIAL BOLT M6X16	2
<input type="checkbox"/>	14	037.430290.000	SPECIAL BOLT M6X12	2
<input type="checkbox"/>	15	31.30030.000	SCREW 5,5.15	1
<input type="checkbox"/>	16	037.430080.051	HEADLIGHT MASK WHITE RR	1



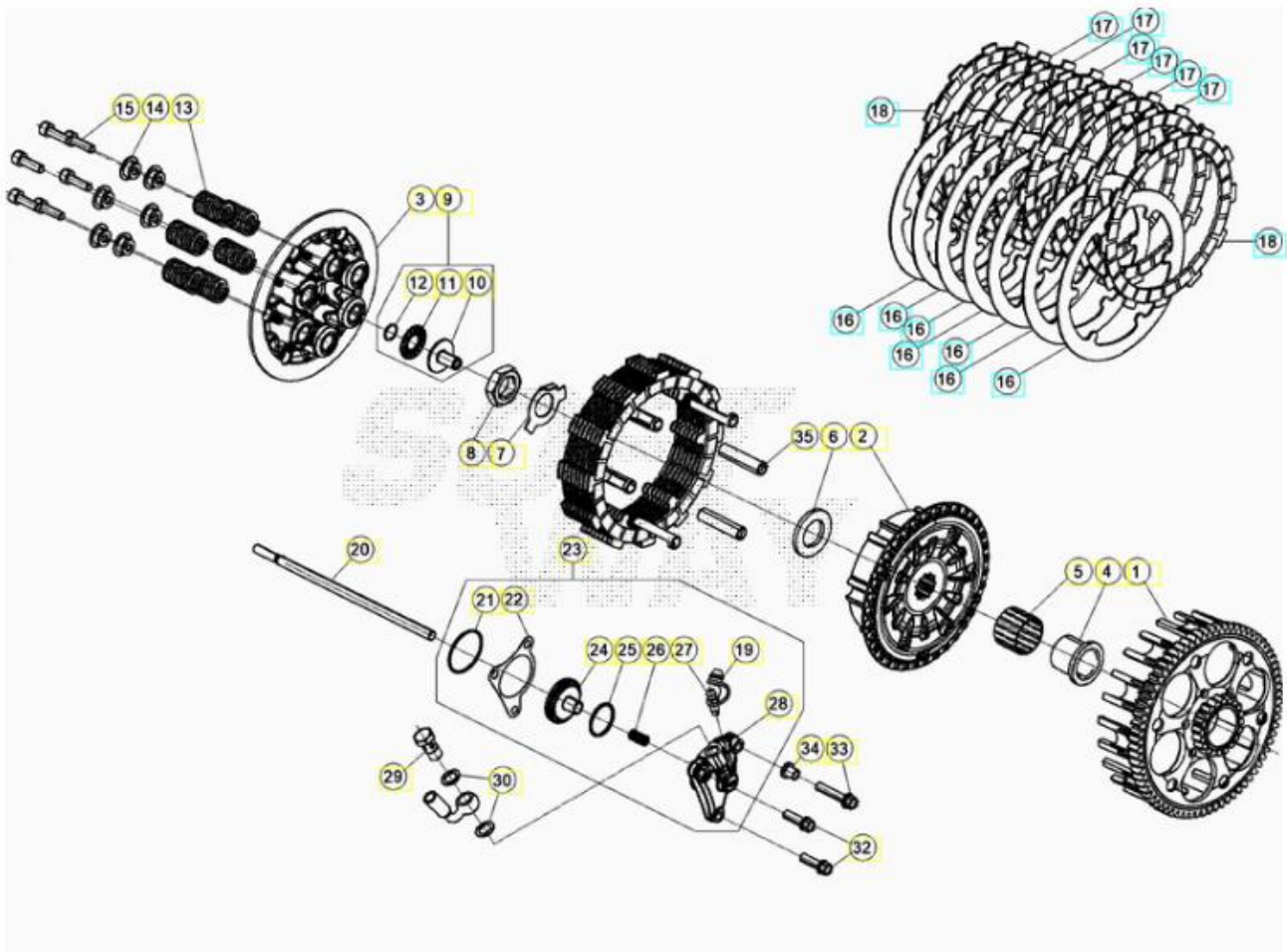
ORDER QTY	REF. NO.	PART NO.	CRANKCASE DESCRIPTION	480 RR RACE 4T
<input type="checkbox"/>	1	037.010008.000	ENGINE CASE RR 4T	1
<input type="checkbox"/>	4	037.010190.000	ENGINE CASE GASKET	1
<input type="checkbox"/>	5	006.010120.000	BUSH (BACK) 17.21.12	1
<input type="checkbox"/>	6	16.41500.000	DOWEL 10,5.13.13	1
<input type="checkbox"/>	7	006.010110.000	DOWEL 17.21.19	2
<input type="checkbox"/>	8	006.080538.000	OIL SLEEVE (CRANKCASE)	1
<input type="checkbox"/>	9	10.50010.000	OIL SEAL 8.1,5	1
<input type="checkbox"/>	10	037.010100.000	BUSH LR15X18X12,5	1
<input type="checkbox"/>	11	006.111080.000	CONNECTION NOZZLE M20.1,5	2
<input type="checkbox"/>	15	029.010248.000	OIL JET ASSY	1
<input type="checkbox"/>	16	10.66139.000	OIL SEAL 6 . 1,5 .VITON.	1
<input type="checkbox"/>	17	16.42903.000	JET 100, BREATHING, LUBRICATION CRA	1
<input type="checkbox"/>	18	16.42904.000	JET 100, BREATHING, LUBRICATION CRA	1

	19	12.93384.000	NEEDLE ROLL 4.15,8 G2 NBR	2
	20	36.25021.000	NEEDLE ROLLER 4,0 X 9,8	2
	22	006.010210.000	SEALING OIL PLUG 73X9	3
	23	006.010180.009	RETAINING PLATE (SHAFT SEAL RIGHT)	1
	24	31.30085.000	COUNTERSUNK SCREW M5X10 8.8 "TORX"	1
	30	C24240470000	ALLEN SCREW 5X10	1
	30	C24240450000	ALLEN SCREW 5X10	1
	31	006.080810.000	DISTANCE BUSH	1
	32	037.080038.000	TANK PANEL	1
	37	029.010260.000	WASHER 8X14X.5	1
	38	029.010250.000	SPECIAL SCREW	1
	41	11.05485.000	BOLT 6.60	10
	42	C24310410000	BOLT 6X70	2
	43	037.010188.200	ENGINE CASE GASKET . KIT RR 4T	1
	44	029.010210.000	COOLING JET	1
	45	31.26790.000	SCREW 4.10	1
	46	C02060540000	O.RING 3.5X1.5	1
	47	29.00280.000	PLUG FOR HEAD RS 4T USA	1



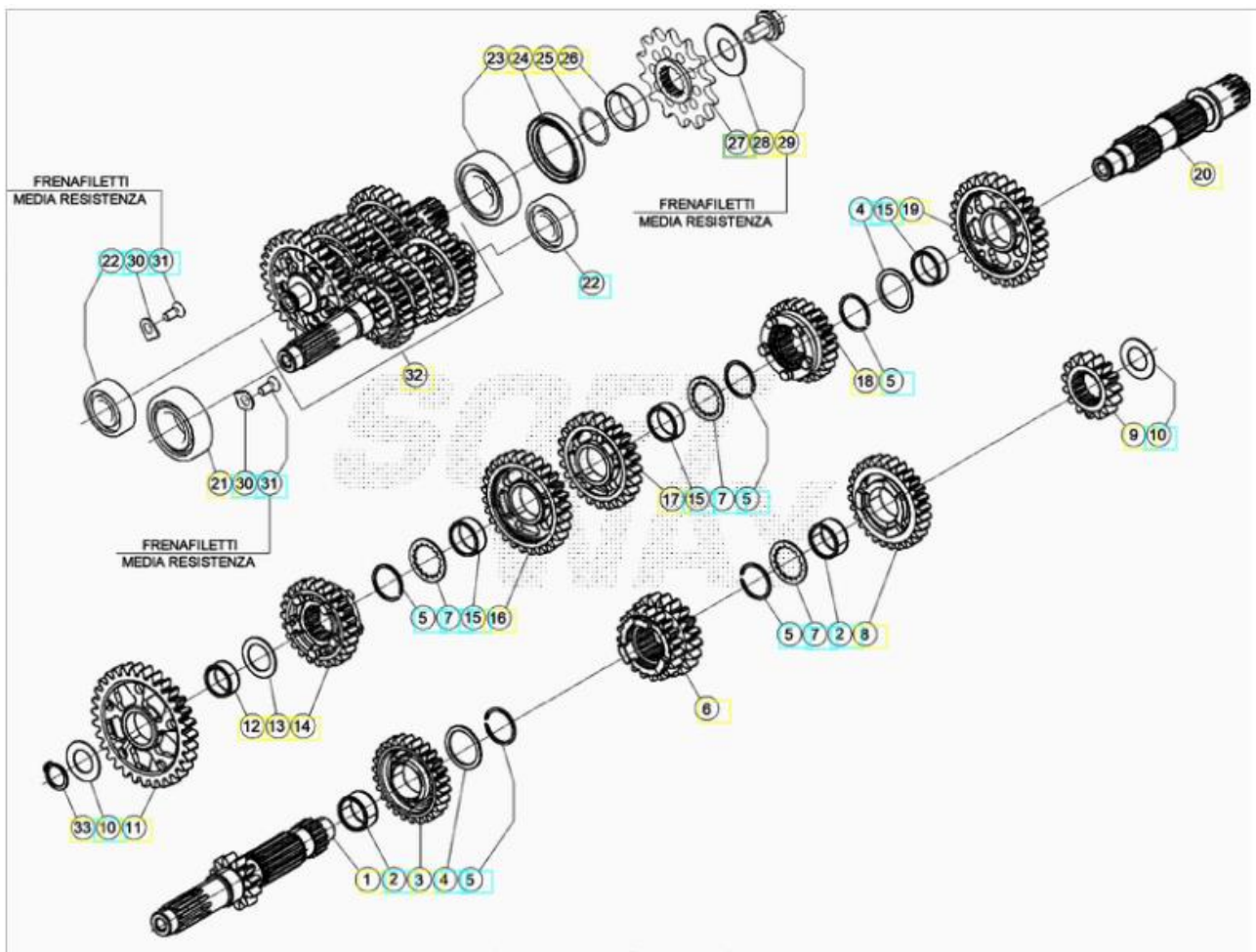
ORDER QTY	REF. NO.	PART NO.	BALANCER SHAFT DESCRIPTION	480 RR RACE 4T
-----------	----------	----------	----------------------------	----------------

<input type="checkbox"/>	1	029.020200.000	BALANCER SHAFT	1
<input type="checkbox"/>	2	029.020210.000	COUNTER WEIGHT	1
<input type="checkbox"/>	3	C06140190000	ROLLER BEARING	1
<input type="checkbox"/>	4	10.64490.000	OIL SEAL 20.30.5/6 TCYJ TF	1
<input type="checkbox"/>	5	C06010340000	BEARING 15X32X9	1
<input type="checkbox"/>	6	006.010160.000	RETAINIG PLATE MAINBEARING	1
<input type="checkbox"/>	7	27.74810.000	SPRING WASHER DIN137 B12 FST	1
<input type="checkbox"/>	8	13.25010.000	NUT, MAGNETO SPECIAL	1
<input type="checkbox"/>	9	C24900020000	SCREW TORX 6X12	1



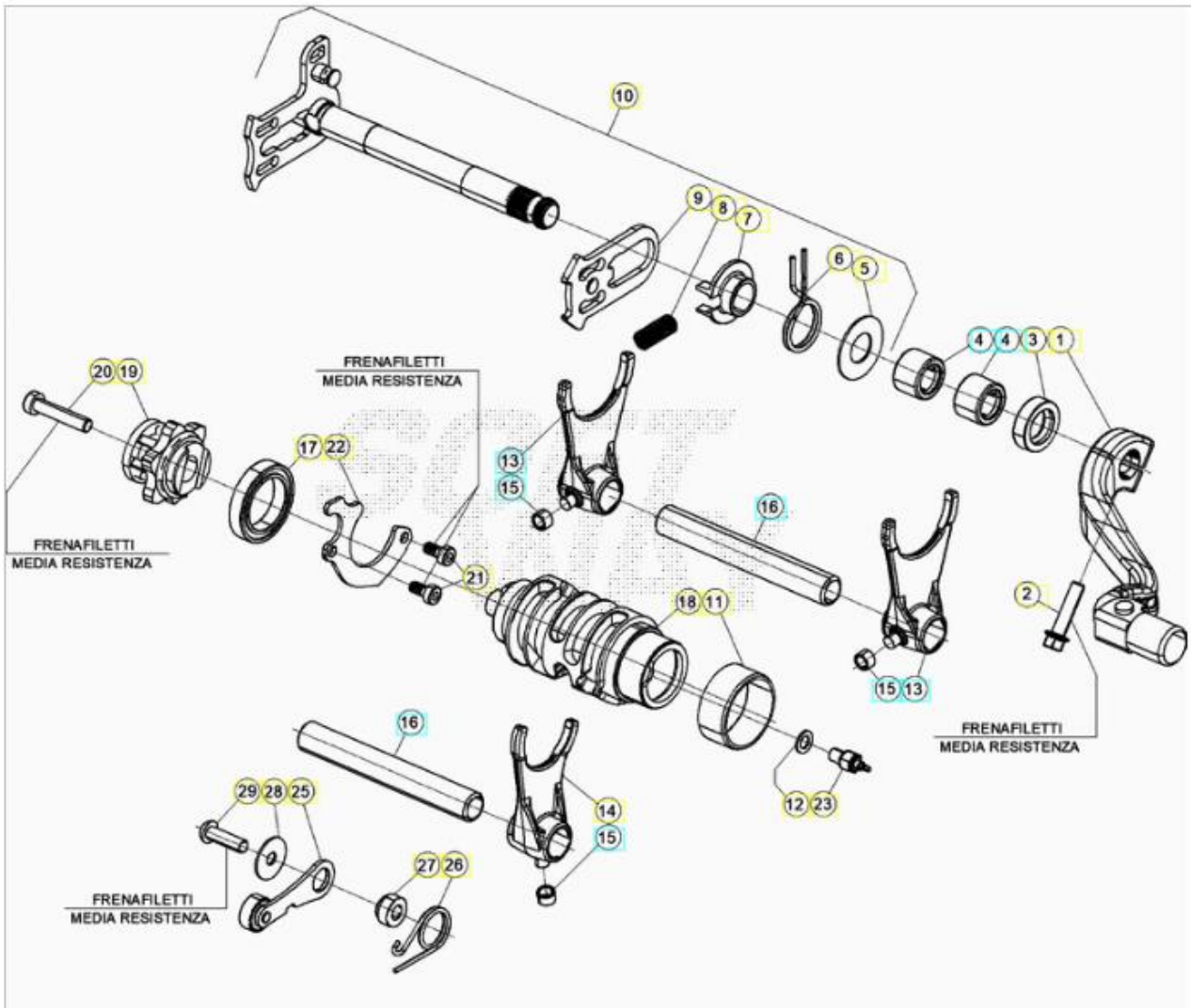
ORDER QTY	REF. NO.	PART NO.	CLUTCH DESCRIPTION	480 RR RACE 4T
<input type="checkbox"/>	1	029.030110.000	CLUTCH CASE ASSY	1
<input type="checkbox"/>	2	029.031410.000	CLUTCH DRUM	1
<input type="checkbox"/>	3	029.030310.000	PRESSURE PLATE	1
<input type="checkbox"/>	4	006.030610.000	CLUTCH BUSH	1
<input type="checkbox"/>	5	006.030630.000	ROLLER BEARING 26.30.22	1
<input type="checkbox"/>	6	006.030620.000	THRUST WASHER 21,7X38X3	1
<input type="checkbox"/>	7	029.030004.800	TAB WASHER	1
<input type="checkbox"/>	8	006.030650.000	S/ARM SPECIAL NUT 18.1,50	1
<input type="checkbox"/>	9	029.030718.000	CLUTCH COUPLING	1

	10	029.030710.000	CLUTCH COUPLING	1
	10	029.030718.000	CLUTCH COUPLING	1
	11	16.11370.000	BUSH 15.28.2	1
	12	28.23105.000	SEEGER RB14 DIN 7993	1
	13	029.030550.000	CLUTCH SPRING	1
	14	029.030560.000	SPRING RETAINER	1
	15	31.34510.000	SCREW 6.20	1
	16	029.030050.000	DRIVEN DISK	7
	17	029.030530.000	FIBER PLATE	6
	18	029.030540.000	FIBER PLATE	2
	19	16.33788.000	CAP	1
	20	006.030700.000	CLUTCH PUSH ROD	1
	21	10.66840.000	O.RING 33X1,5	1
	22	006.030850.000	GASKET CLUTCH SLAVE CYLINDER	1
	23	029.030018.000	CLUTCH SLAVE M/C ASSY	1
	24	006.032818.000	CLUTCH ACTUATOR PISTON	1
	25	10.66520.000	OIL SEAL 23,52.1,78	1
	26	006.030830.000	SPRING SLAVE CYLINDER	1
	27	28.91050.000	BLEED WITH RUBBER	1
	27	28.91050.800	BLEED WITH RUBBER	1
	28	029.030010.000	CLUTCH ACTUATOR CYLINDER	1
	29	11.65040.000	SPECIAL BOLT	1
	30	16.50510.000	GASKET 10.15.1 COPPER	1
	32	11.49070.000	BOLT 6.20	1
	33	11.50355.000	BOLT 6.35 RS CH8	1
	34	13.49190.000	SPACER	1
	35	029.031070.000	PLATE GUIDE	1



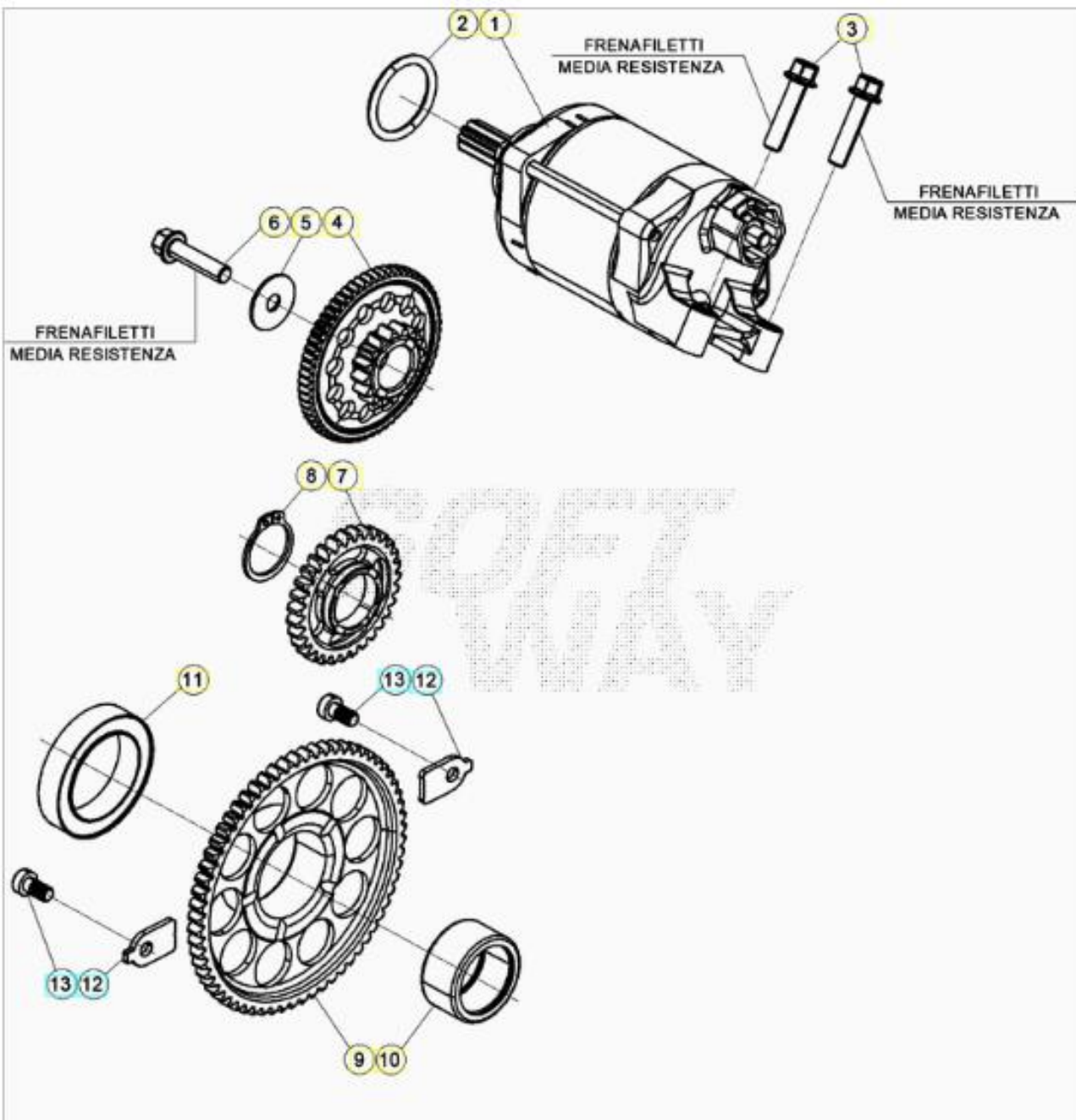
ORDER QTY	REF. NO.	PART NO.	MAIN SHAFT DESCRIPTION	480 RR RACE 4T
<input type="checkbox"/>	1	006.040110.000	MAINSHAFT S/S TO 006.040100.000	1
<input type="checkbox"/>	2	11.22855.000	NEEDLE BEARING K 22.26.13 TN (SPLIT)	2
<input type="checkbox"/>	3	006.040150.000	5° GEAR MAINSHAFT	1
<input type="checkbox"/>	4	006.040310.000	THRUST WASHER 26.32.1,5	2
<input type="checkbox"/>	5	28.25520.000	CIRCLIP	5
<input type="checkbox"/>	6	006.040130.000	3°/4° GEAR MAINSHAFT	1
<input type="checkbox"/>	7	006.040300.000	THRUST WASHER 23.32.1,5	3
<input type="checkbox"/>	8	006.040160.000	6° GEAR MAINSHAFT	1
<input type="checkbox"/>	9	006.040120.000	2° GEAR MAINSHAFT	1
<input type="checkbox"/>	10	006.040320.000	THRUST WASHER 17.30.1	2
<input type="checkbox"/>	11	006.040210.000	1° GEAR COUNTERSHAFT	1
<input type="checkbox"/>	12	11.22835.000	NEEDLE BEARING K 20.24.10	1
<input type="checkbox"/>	13	006.040330.000	THRUST WASHER 20.30.1	1
<input type="checkbox"/>	14	006.040250.000	5° GEAR COUNTERSHAFT	1
<input type="checkbox"/>	15	11.22845.000	NEEDLE BEARING K 20.24.10 (SPLITTED)	3
<input type="checkbox"/>	16	006.040230.000	3° GEAR COUNTERSHAFT	1
<input type="checkbox"/>	17	006.040240.000	4° GEAR COUNTERSHAFT	1
<input type="checkbox"/>	18	006.040260.000	6° GEAR COUNTERSHAFT	1

<input type="checkbox"/>	19	006.040220.000	2° GEAR COUNTERSHAFT	1
<input type="checkbox"/>	20	037.040010.000	GEARBOX COUNTERSHAFT	1
<input type="checkbox"/>	21	12.95610.000	BALL BEARING (6205) C3	1
<input type="checkbox"/>	22	12.95605.000	BALL BEARING (6203) JR2 C3	2
<input type="checkbox"/>	23	12.99710.000	ROLLER BEARING NJ205	1
<input type="checkbox"/>	24	10.66020.000	OIL SEAL 32.45.7 BSL	1
<input type="checkbox"/>	25	10.66620.000	OIL SEAL	1
<input type="checkbox"/>	26	006.040400.000	DISTANCE BUSH	1
<input type="checkbox"/>	27	006.040500.000	SPROCKET, 13T CAN USE AB.13007.13	1
<input type="checkbox"/>	28	006.040410.000	SPROCKET FIXING DISK SPRING 17,2.40	1
<input type="checkbox"/>	29	006.040420.000	SCREW M10X18	1
<input type="checkbox"/>	30	006.010160.000	RETAINIG PLATE MAINBEARING	2
<input type="checkbox"/>	31	C24900020000	SCREW TORX 6X12	2
<input type="checkbox"/>	32	037.040008.000	GEARBOX	1
<input type="checkbox"/>	33	28.24955.000	SEEGER AS 17.1,5 DIN 471	1



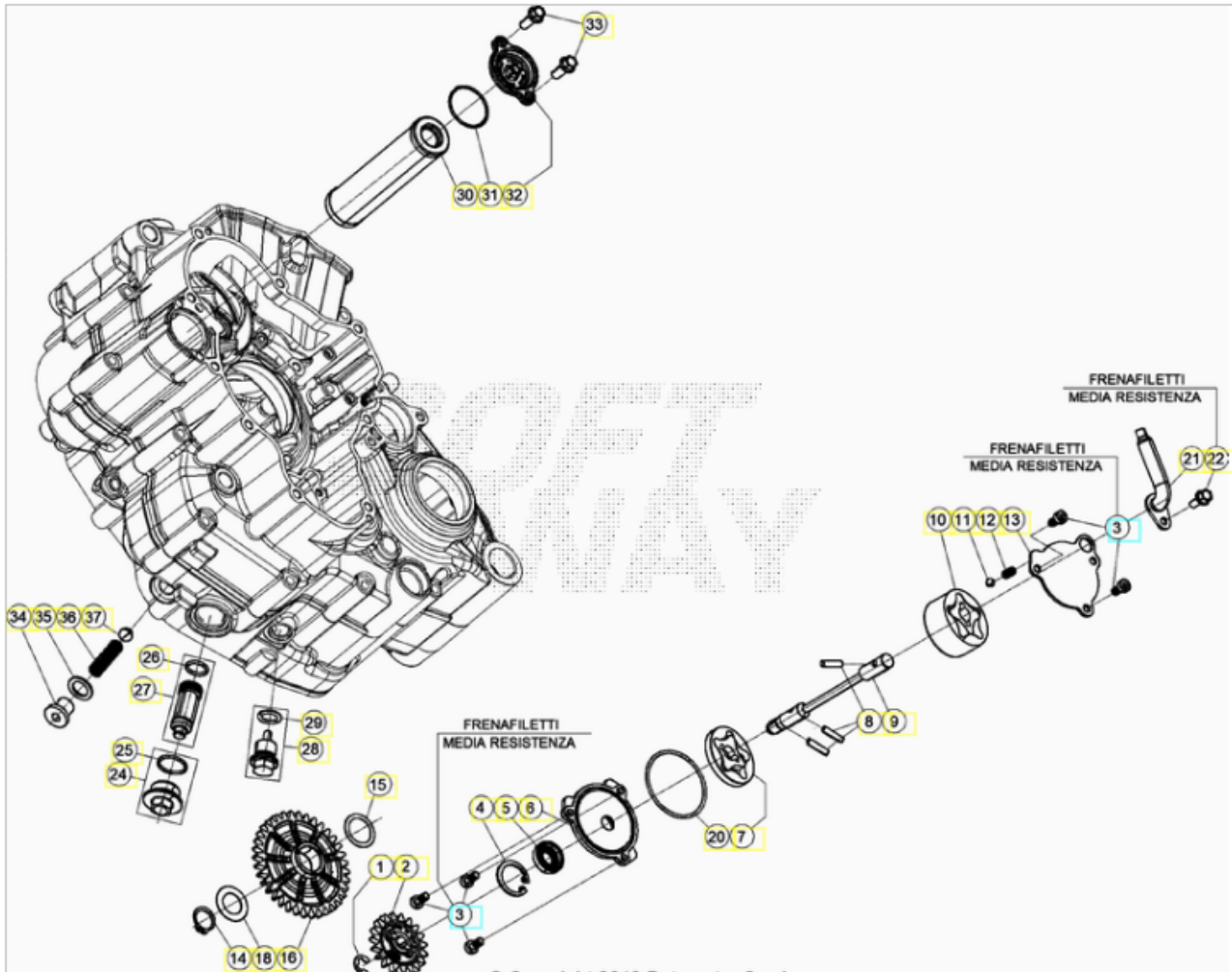
ORDER QTY	REF. NO.	PART NO.	GEAR SHIFT CONTROL DESCRIPTION	480 RR RACE 4T
<input type="checkbox"/>	1	037.050078.059	GEAR SHIFT LEVER BLACK RR 4T	1

	2	11.50010.000	BOLT 6.25	1
	3	10.52012.000	OIL SEAL 14.24.6 B1SL	1
	4	11.22320.000	NEEDLE BEARING HK1414RS	2
	5	27.63020.000	WASHER 14.30.1	1
	6	006.050170.000	GEAR BOX RETURN SPRING	1
	7	16.92911.000	SPRING GUIDE	1
	8	006.050160.000	SHIFT SHAFT CPL.	1
	9	006.050148.000	SHIFT SHAFT CPL.	1
	10	037.050038.000	SHIFTING SHAFT	1
	11	037.010130.000	BUSHING 32X36X15	1
	12	16.50510.000	GASKET 10.15.1 COPPER	1
	13	006.050200.000	FORK 1/4 GEAR	2
	14	037.050050.000	GEAR SELECTOR FORK	1
	15	006.050270.000	BUSHING 6.8.5,2	3
	16	026.050250.000	SPINDLE FORK	2
	17	12.93405.000	BALL BEARING 61805.2RS1	1
	18	037.050010.000	GEARSHIFT CAM	1
	19	029.050018.000	DETENT CAM	1
	20	31.45115.000	SCREW M6X30 DIN 6912	1
	21	C24240470000	ALLEN SCREW 5X10	1
	21	C24240450000	ALLEN SCREW 5X10	1
	22	037.050020.000	FIXING PLATE	1
	23	037.050060.000	NEUTRAL GEAR SENSOR	1
	25	029.050508.000	GEAR STOP LEVER	1
	26	22.39591.000	LEVER SPRING	1
	27	029.050540.000	SPACER	1
	28	27.42000.100	WASHER 6.20.1,0	1
	29	31.30780.000	SCREW 6.20	1



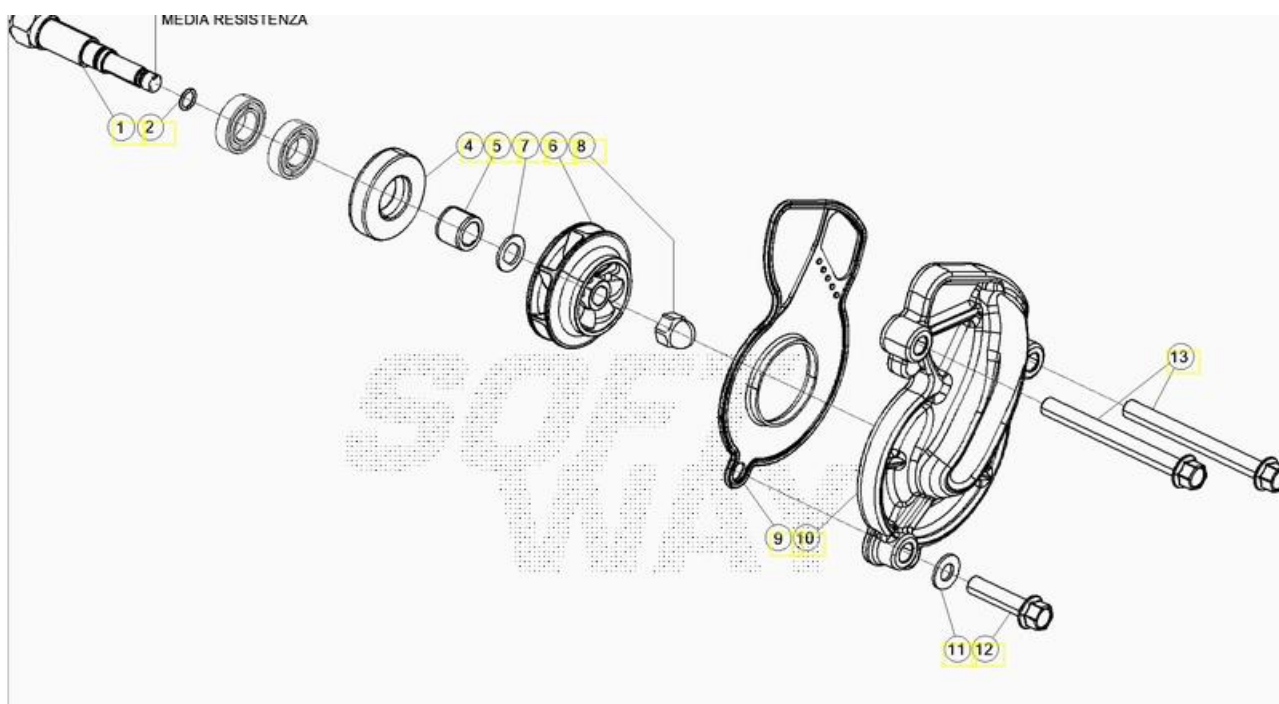
ORDER QTY	REF. NO.	PART NO.	ELECTRIC STARTER DESCRIPTION	480 RR RACE 4T
<input type="checkbox"/>	1	037.070008.000	STARTING MOTOR	1
<input type="checkbox"/>	2	36.25056.000	O RING 25,00X3,00 NBR70	1
<input type="checkbox"/>	3	11.50010.000	BOLT 6.25	1
<input type="checkbox"/>	4	029.070118.000	TORQUE LIMITER	1
<input type="checkbox"/>	5	27.42000.100	WASHER 6.20.1,0	1
<input type="checkbox"/>	6	11.50010.000	BOLT 6.25	1
<input type="checkbox"/>	7	037.070010.000	GEAR	1
<input type="checkbox"/>	8	28.25400.000	SEEGER 20 E	1
<input type="checkbox"/>	9	029.070300.000	STARTER GEAR	1
<input type="checkbox"/>	10	006.070310.000	NEEDLE BEARING HK2516	1
<input type="checkbox"/>	11	006.070400.000	CAM CLUTCH (BORG WARNER FWD331608.B	1
<input type="checkbox"/>	12	029.070250.000	STARTER GEAR PLATE	2

<input type="checkbox"/>	13	C24240470000	ALLEN SCREW 5X10	2
<input type="checkbox"/>	13	C24240450000	ALLEN SCREW 5X10	1



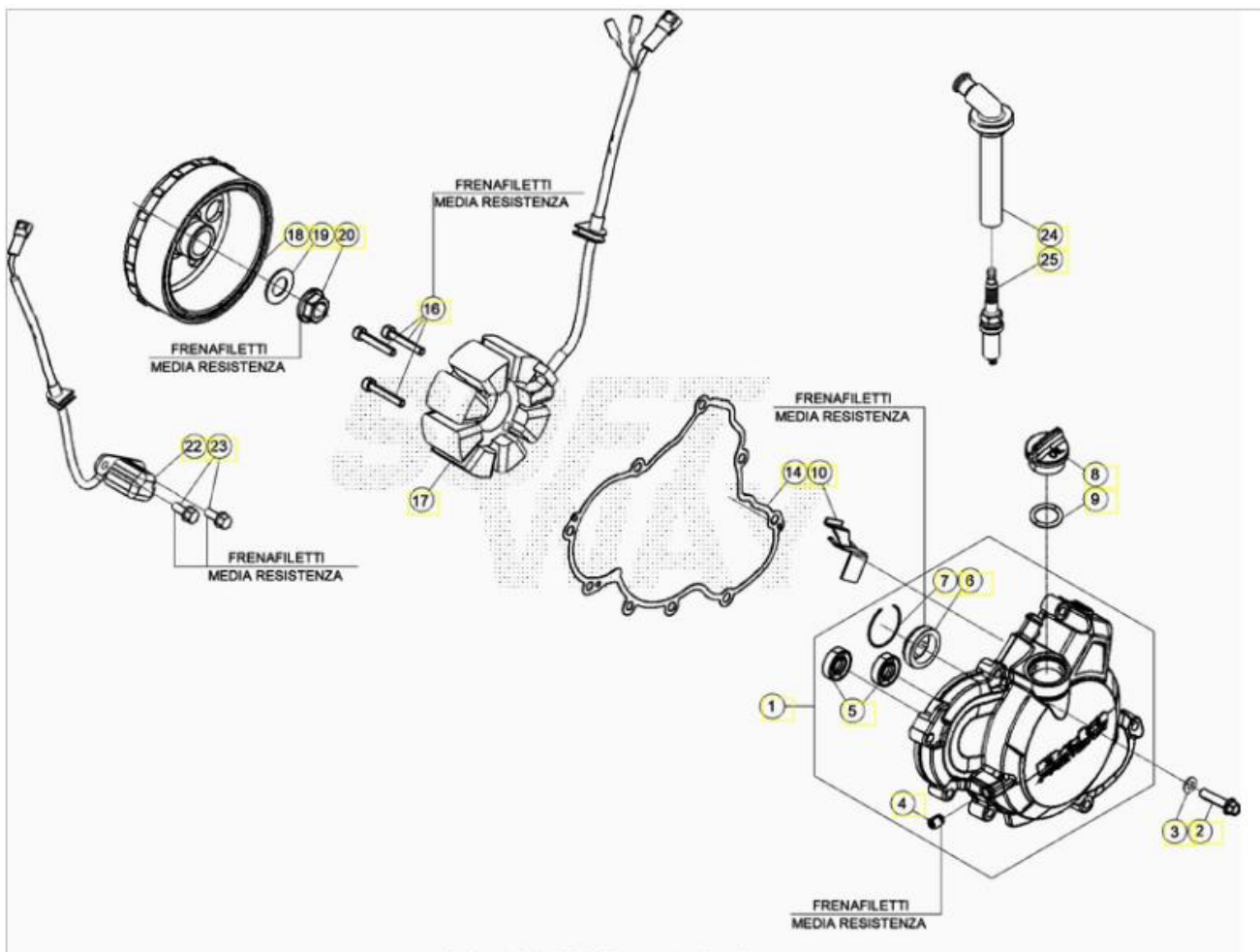
ORDER QTY	REF. NO.	PART NO.	LUBRICATION SYSTEM DESCRIPTION	480 RR RACE 4T
<input type="checkbox"/>	1	28.22645.000	CICLIP RA 7 DIN 6799	1
<input type="checkbox"/>	2	037.080080.000	OIL PUMP GEAR Z19	1
<input type="checkbox"/>	3	C24240470000	ALLEN SCREW 5X10	2
<input type="checkbox"/>	3	C24240450000	ALLEN SCREW 5X10	1
<input type="checkbox"/>	4	28.25502.000	SEEGER JS24 DIN 472	1
<input type="checkbox"/>	5	10.44695.000	OIL SEAL 10.22.6 BABSL 75FKW595	1
<input type="checkbox"/>	6	029.080110.000	OIL PRESSURE PUMP COVER	1
<input type="checkbox"/>	7	006.080108.000	OIL PUMP 40,56 B5	1
<input type="checkbox"/>	8	12.93384.000	NEEDLE ROLL 4.15,8 G2 NBR	1
<input type="checkbox"/>	9	037.080070.000	OIL PUMP SHAFT	1
<input type="checkbox"/>	10	006.080008.000	OIL PUMP 40,56 B19	1
<input type="checkbox"/>	11	28.90220.000	BALL D=5,5 DIN 5401	1
<input type="checkbox"/>	12	006.080410.000	SPRING (VENTILATION)	1
<input type="checkbox"/>	13	037.080040.000	OIL PUMP COVER	1
<input type="checkbox"/>	14	28.23600.000	SEEGER 15E	1

<input type="checkbox"/>	15	037.080100.000	WASHER 18X23X0,5	1
<input type="checkbox"/>	16	037.080090.000	OIL PUMP GEAR Z36	1
<input type="checkbox"/>	18	27.64500.050	15.25.0,50 WASHER	1
<input type="checkbox"/>	20	10.66934.000	O.RING 45 . 2 NBR	1
<input type="checkbox"/>	21	037.080058.500	OIL HOSE	1
<input type="checkbox"/>	22	11.46251.000	BOLT 5,12	1
<input type="checkbox"/>	24	029.080508.000	OIL DRAIN PLUG	1
<input type="checkbox"/>	25	10.66321.000	OIL SEAL	1
<input type="checkbox"/>	26	10.66168.000	O.RING 12X2	1
<input type="checkbox"/>	27	029.080518.000	OIL FILTER SCREEN	1
<input type="checkbox"/>	28	006.081528.000	MAGNET SCREW M14X1,5	1
<input type="checkbox"/>	29	10.66164.000	O.RING, 11.2 NBR 70SH	1
<input type="checkbox"/>	30	006.080700.000	OIL FILTER	1
<input type="checkbox"/>	31	10.66685.000	O.RING 28 . 1,5 VITON	1
<input type="checkbox"/>	32	029.150018.000	BILLET OIL FILTER COVER	1
<input type="checkbox"/>	32	AB.12010	BILLET OIL FILTER COVER	1
<input type="checkbox"/>	33	11.48025.000	BOLT 6.16	1
<input type="checkbox"/>	34	36.25062.000	PLUG . M12 X 1,5	1
<input type="checkbox"/>	35	27.60265.000	WASHER 12.181,5	1
<input type="checkbox"/>	36	029.080400.000	SPRING	1
<input type="checkbox"/>	37	28.90225.000	BALL D=9 DIN 5401	1



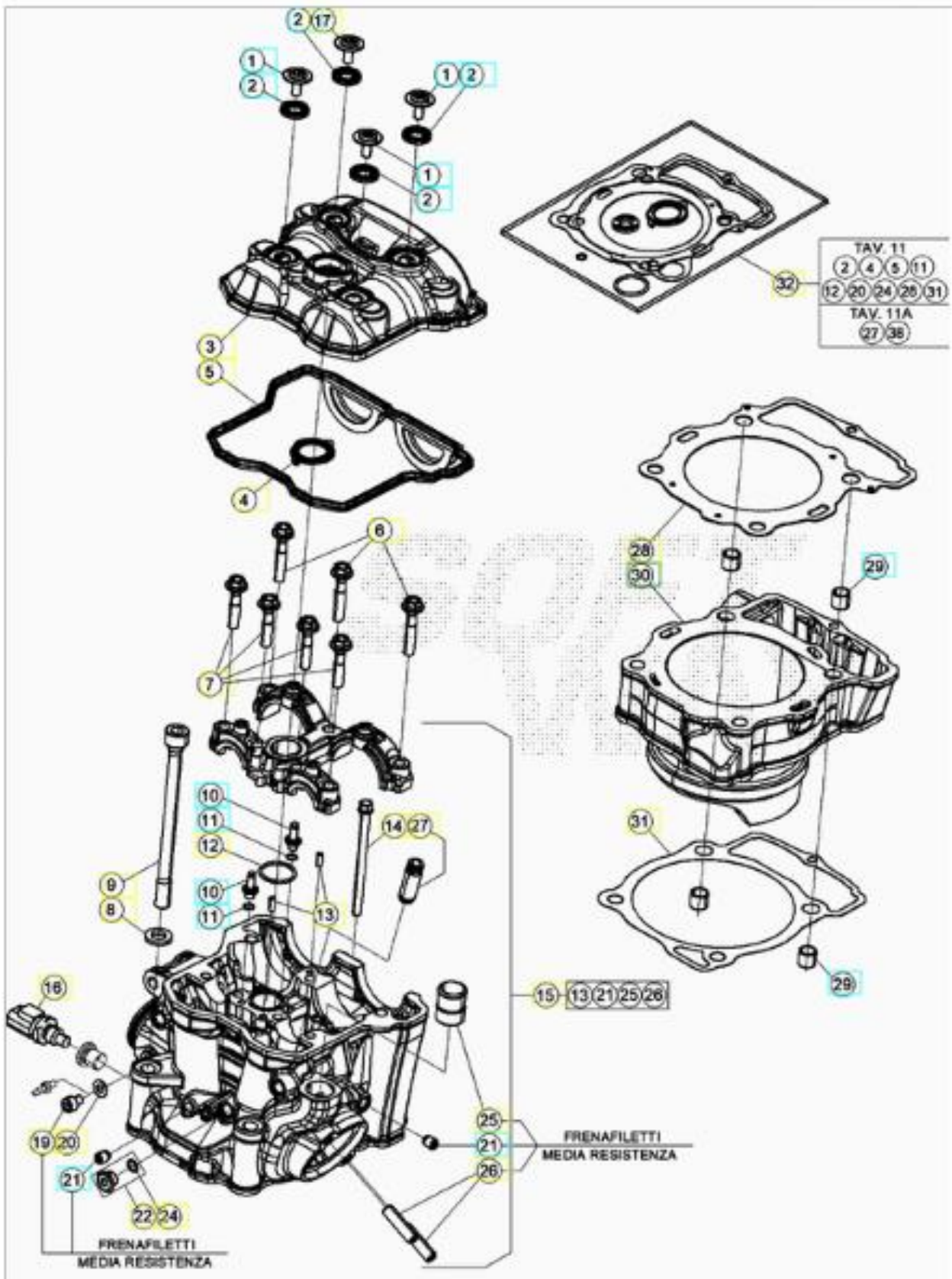
ORDER QTY	REF. NO.	PART NO.	WATER PUMP DESCRIPTION	480 RR RACE 4T
<input type="checkbox"/>	1	037.090010.000	WATER PUMP SHAFT	1
<input type="checkbox"/>	2	10.66136.000	O.RING 5,5 . 1 VITON	1

<input type="checkbox"/>	4	10.48030.000	OIL SEAL 12.30.7	1
<input type="checkbox"/>	5	006.090110.000	BUSH WATER PUMP IR 8.12.10	1
<input type="checkbox"/>	6	037.090028.000	WATER PUMP IMPELLER RR 4T	1
<input type="checkbox"/>	7	006.090120.000	WASHER WATER PUMP	1
<input type="checkbox"/>	8	13.11520.000	NUT M6X1 DIN 1587	1
<input type="checkbox"/>	9	037.090068.700	INSERT	1
<input type="checkbox"/>	10	037.090050.000	WATER PUMP COVER	1
<input type="checkbox"/>	11	27.40490.000	WASHER 6.10.2	1
<input type="checkbox"/>	12	11.50010.000	BOLT 6.25	1
<input type="checkbox"/>	13	11.05485.000	BOLT 6.60	1



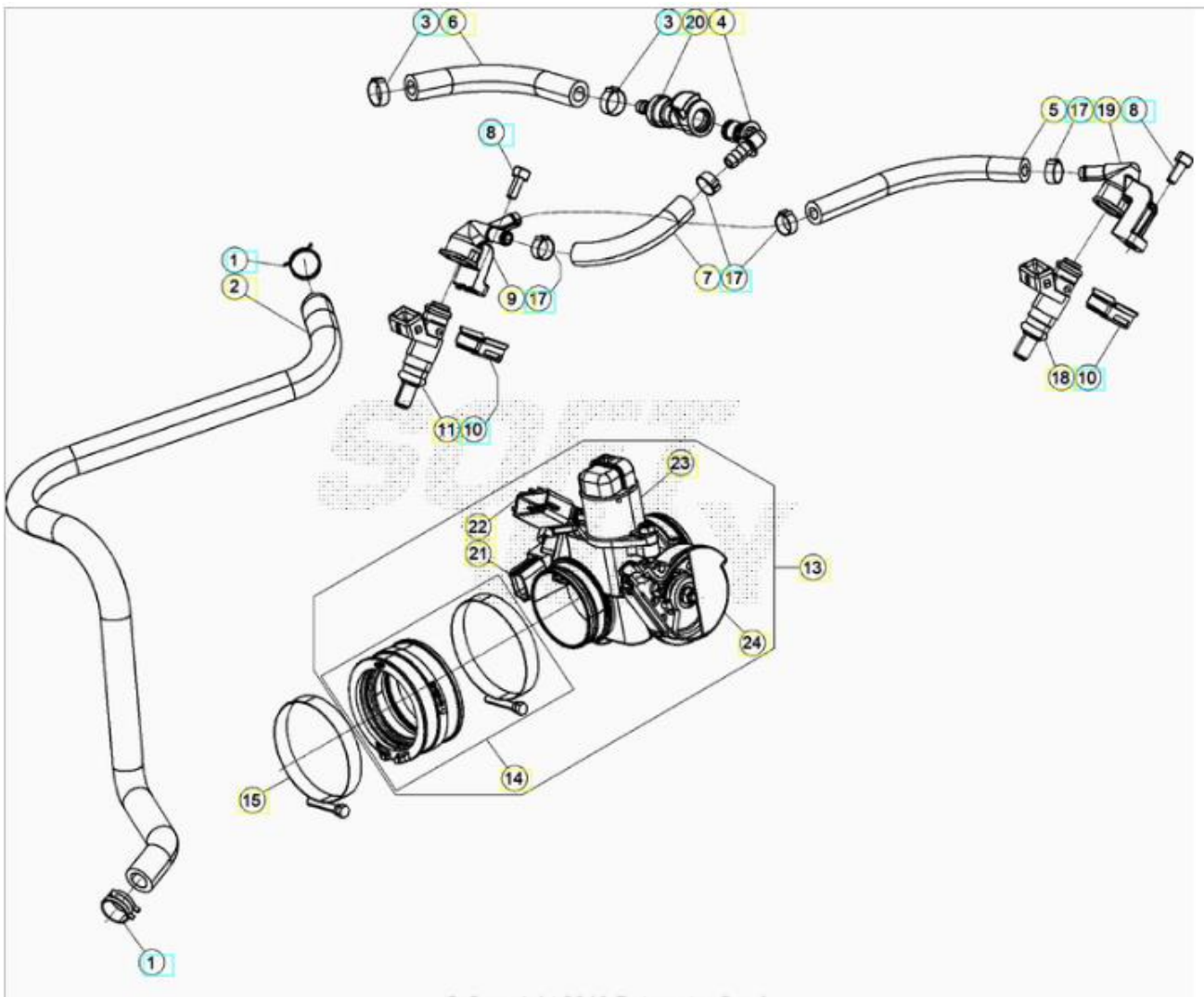
ORDER QTY	REF. NO.	PART NO.	ELECTRICAL IGNITION ASSY DESCRIPTION	480 RR RACE 4T
<input type="checkbox"/>	1	037.010088.052	FLYWHEEL COVER BLACK RR 4T	1
<input type="checkbox"/>	2	11.50010.000	BOLT 6.25	1
<input type="checkbox"/>	3	27.58000.000	WASHER 6.12	1
<input type="checkbox"/>	4	006.010210.000	SEALING OIL PLUG 73X9	1
<input type="checkbox"/>	5	10.44690.000	OIL SEAL 10.22.6 B	1
<input type="checkbox"/>	6	006.010560.000	OIL CHECK GLASS, 22X30X8,5	1
<input type="checkbox"/>	7	28.25680.000	SEEGER 30X1 RB (DIN 7993)	1
<input type="checkbox"/>	8	29.09601.053	OIL FILLER CAP	1

	8	AB.12013	OIL FILLER CAP	1
	9	10.66340.000	OIL SEAL 16.3	1
	10	037.010121.500	RETAINING PLATE	1
	14	037.010090.000	COVER GASKET	1
	16	C24240390000	ALLEN SCREW 5X30	1
	17	037.100020.000	GENERATOR	1
	18	006.101100.000	FLYWHEEL, 350 EFI	1
	19	27.74810.000	SPRING WASHER DIN137 B12 FST	1
	20	13.25010.000	NUT, MAGNETO SPECIAL	1
	22	037.100010.000	PICK UP	1
	23	11.46251.000	BOLT 5,12	1
	24	006.100550.000	SPARK PLUG CONNECTOR RR4T MY'10	1
	25	006.100500.000	SPARK PLUG, LKAR8A.9	1



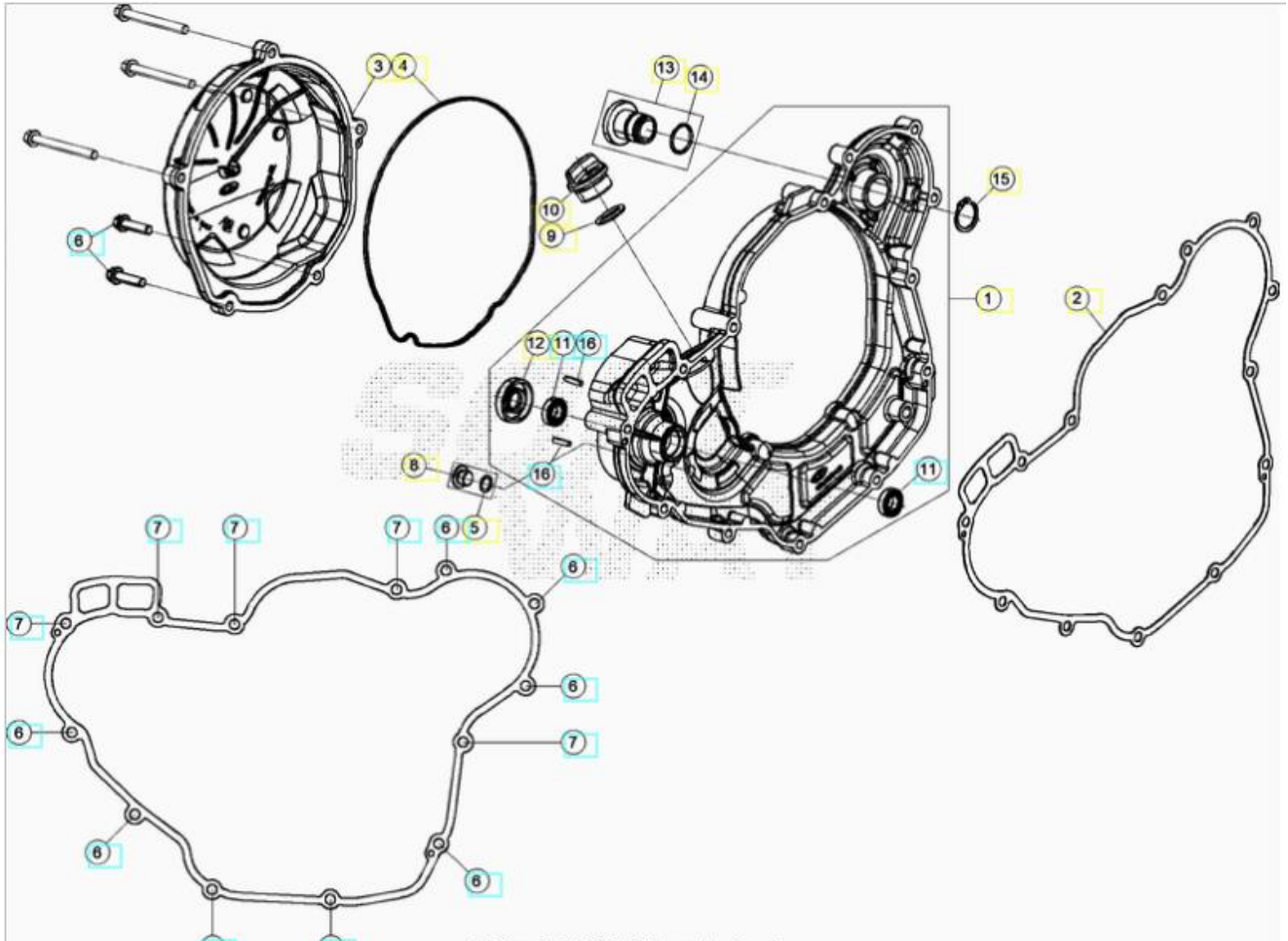
ORDER QTY	REF. NO.	PART NO.	CYLINDER ASSY DESCRIPTION	480 RR RACE 4T
<input type="checkbox"/>	1	006.110250.000	SCREW HEAD COVER	3
<input type="checkbox"/>	2	006.110260.000	RUBBER, SCREW CYLINDEHEAD COVER	3
<input type="checkbox"/>	2	026.110260.000	CYL BASE GASKET .4MM	1
<input type="checkbox"/>	3	006.110200.052	CYLINDERHEAD COVER	1

<input type="checkbox"/>	4	006.110220.000	SEALING CYLINDERHEAD COVER	1
<input type="checkbox"/>	5	029.110210.000	CYL HEAD COVER GASKET	1
<input type="checkbox"/>	6	11.52427.000	BOLT 7.38, SPECIAL	1
<input type="checkbox"/>	7	11.52425.000	SPECIAL BOLT 7.33	1
<input type="checkbox"/>	8	006.110120.000	WASHER 10,5.18,5,2,5	1
<input type="checkbox"/>	9	022.110130.000	SCREW M10.1,25 L=127.5	1
<input type="checkbox"/>	10	006.110090.000	OIL JET	2
<input type="checkbox"/>	11	10.66136.000	O.RING 5,5 . 1 VITON	2
<input type="checkbox"/>	12	10.66495.000	O.RING 22 . 2	1
<input type="checkbox"/>	13	36.25021.000	NEEDLE ROLLER 4,0 X 9,8	2
<input type="checkbox"/>	14	11.05445.000	BOLT 6.80 RS CH8	1
<input type="checkbox"/>	15	037.111028.000	ENGINE HEAD D95 RR 4T	1
<input type="checkbox"/>	16	029.130040.000	TEMP SENSOR	1
<input type="checkbox"/>	17	006.110350.000	SECURITY SCREW	1
<input type="checkbox"/>	19	C24240440000	ALLEN SCREW 6X8	1
<input type="checkbox"/>	20	27.58000.000	WASHER 6.12	1
<input type="checkbox"/>	21	006.010210.000	SEALING OIL PLUG 73X9	3
<input type="checkbox"/>	22	006.150068.000	CLUTCH COVER PLUG, RACING AB.12011 SOLD AS A SET OF 4	1
<input type="checkbox"/>	24	10.50010.000	OIL SEAL 8,1,5	1
<input type="checkbox"/>	25	006.111080.000	CONNECTION NOZZLE M20.1,5	2
<input type="checkbox"/>	26	006.110190.000	STUD BOLT M8X30 DIN 913 A2 S/S TO 037.110100.000	1
<input type="checkbox"/>	26	037.110100.000	STUD M8X30	1
<input type="checkbox"/>	27	006.110050.000	VALVE GUIDE	1
<input type="checkbox"/>	28	037.112010.000	HEAD GASKET 480/500	1
<input type="checkbox"/>	29	006.020700.000	BUSH 10,5.12.11 (CYLINDER BASE/CYL.	2
<input type="checkbox"/>	30	037.112000.001	CYLINDER D100 . 1 RR 4T 480	1
<input type="checkbox"/>	30	037.112000.002	CYLINDER D100 . 2 RR 4T 480	1
<input type="checkbox"/>	31	037.111010.000	CYLINDER GASKET	1
<input type="checkbox"/>	32	037.110098.200	GASKET . KIT RR 4T 480	1



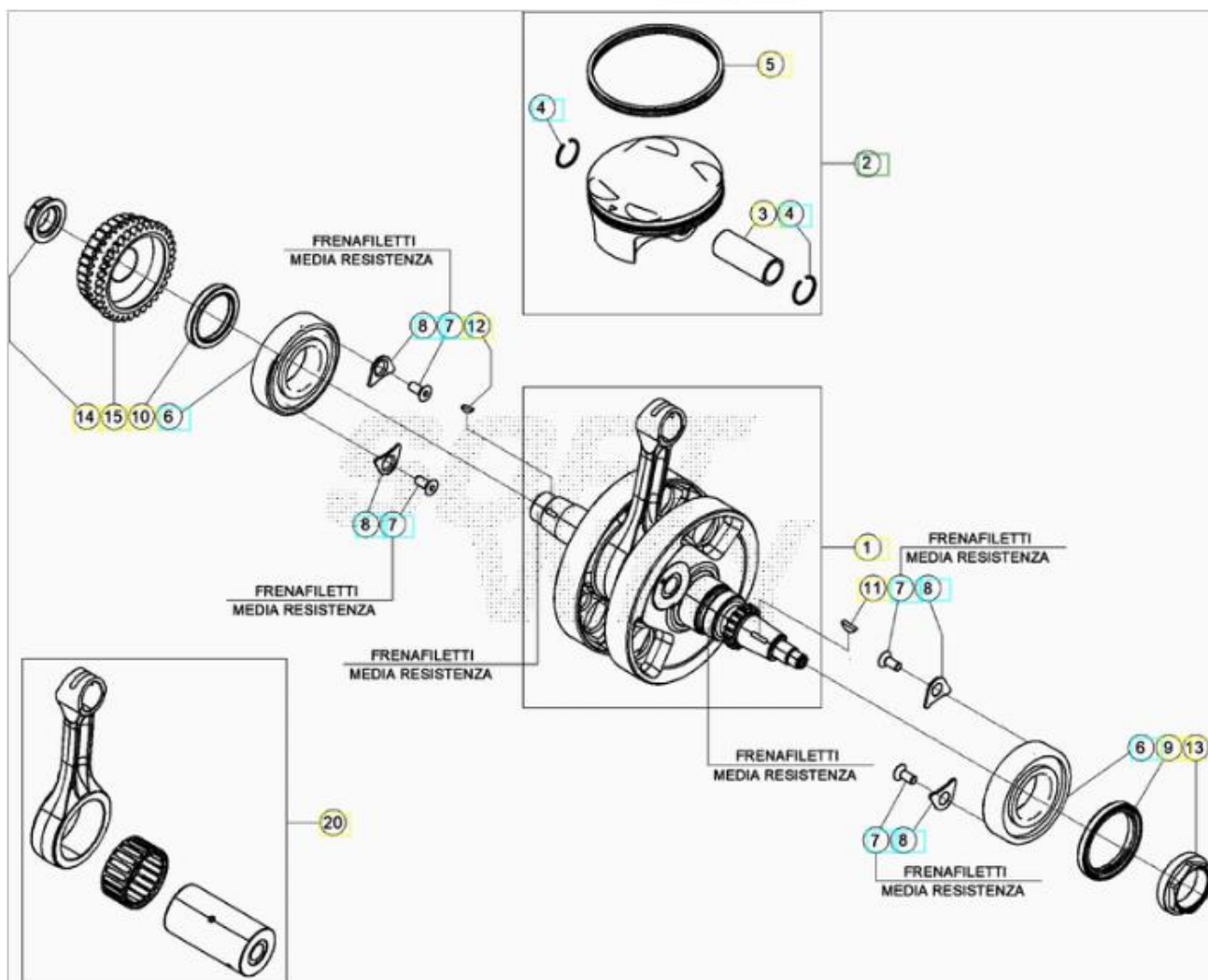
ORDER QTY	REF. NO.	PART NO.	INJECTION UNIT DESCRIPTION	480 RR RACE 4T
<input type="checkbox"/>	1	10.67470.000	RING	2
<input type="checkbox"/>	2	037.130020.000	AIR HOSE	1
<input type="checkbox"/>	3	C07160020000	SELF LOCKING CLAMP	2
<input type="checkbox"/>	4	029.130080.000	GAS COUPLER	1
<input type="checkbox"/>	5	037.130050.000	FUEL HOSE	1
<input type="checkbox"/>	6	037.130060.000	FUEL HOSE	1
<input type="checkbox"/>	7	037.130080.000	FUEL HOSE	1
<input type="checkbox"/>	8	31.29910.000	SCREW 5.12	2
<input type="checkbox"/>	9	029.130160.000	INJECTOR CAP	1
<input type="checkbox"/>	10	029.130091.500	FASTENING BRACKET	2
<input type="checkbox"/>	11	029.130050.000	INJECTOR	1
<input type="checkbox"/>	13	029.130138.000	THROTTLE BODY	1
<input type="checkbox"/>	14	029.130008.200	INLET MANIFOLD	1
<input type="checkbox"/>	15	15.14607.800	CLAMP, D.58	1
<input type="checkbox"/>	17	C07160030000	SELF LOCKING CLAMP	3
<input type="checkbox"/>	18	029.130180.000	INJECTOR	1
<input type="checkbox"/>	19	037.130010.000	INJECTOR CAP	1

<input type="checkbox"/>	20	031.401250.000	QUICK.COUPLING UNION	1
<input type="checkbox"/>	21	029.130290.000	THROTTLE POSITION SENSOR	1
<input type="checkbox"/>	22	029.130300.000	TEMPERATURE SENSOR	1
<input type="checkbox"/>	23	029.130310.000	STEPPER MOTOR	1
<input type="checkbox"/>	24	029.130320.000	COVER	1



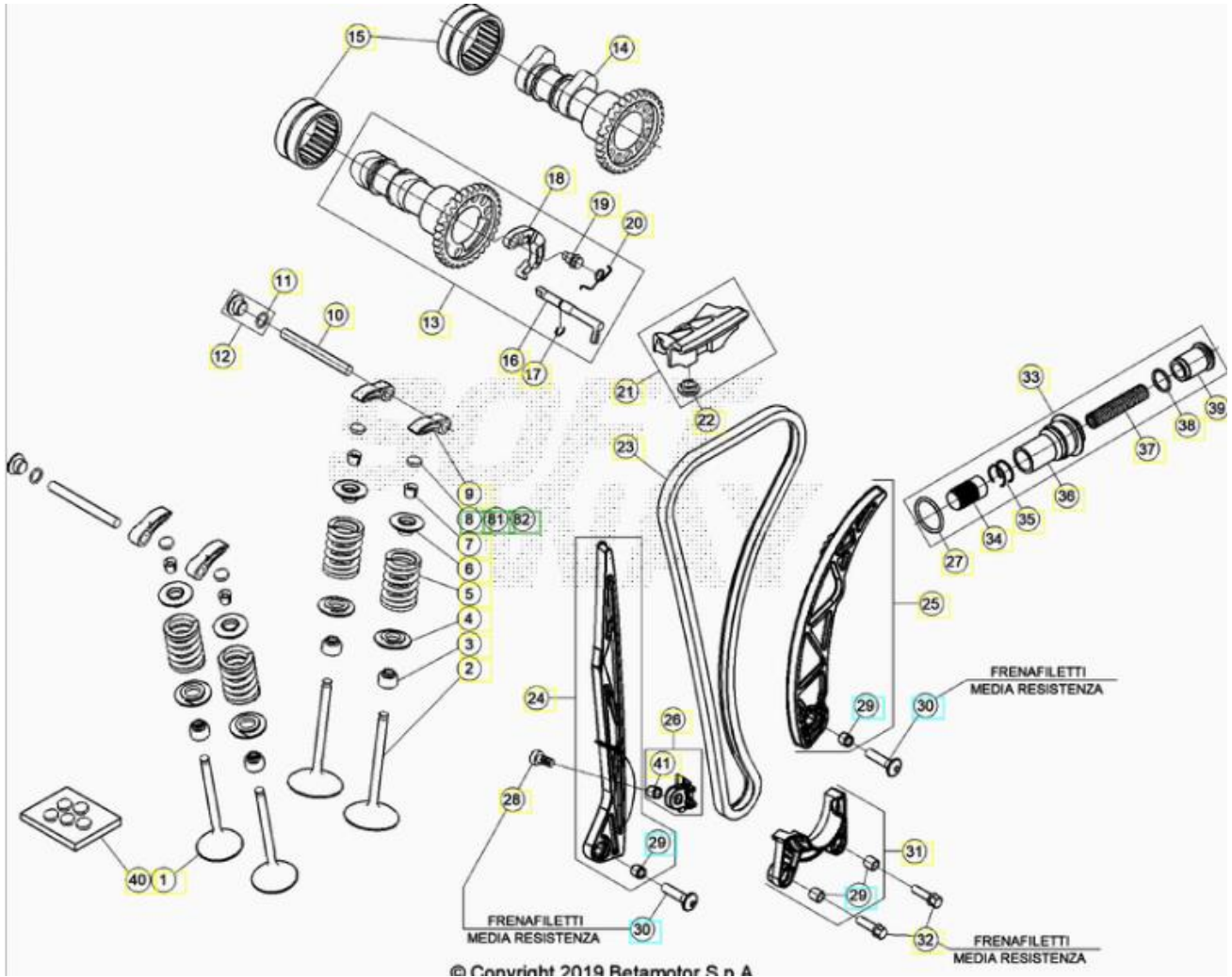
ORDER QTY	REF. NO.	PART NO.	CLUTCH COVER DESCRIPTION	480 RR RACE 4T
<input type="checkbox"/>	1	037.010048.000	CLUTCH COVER RR 4T	1
<input type="checkbox"/>	2	037.010050.000	COVER GASKET	1
<input type="checkbox"/>	3	037.010068.052	CLUTCH COVER	1
<input type="checkbox"/>	4	037.010070.000	COVER GASKET	1
<input type="checkbox"/>	5	10.50010.000	OIL SEAL 8.1,5	1
<input type="checkbox"/>	6	11.50010.000	BOLT 6.25	9
<input type="checkbox"/>	7	11.05485.000	BOLT 6.60	5
<input type="checkbox"/>	8	006.150068.000	CLUTCH COVER PLUG, RACING	1
<input type="checkbox"/>	8	AB.12011	ENGINE CAP SET SOLD AS A SET OF 4	1
<input type="checkbox"/>	9	10.66340.000	OIL SEAL 16.3	1
<input type="checkbox"/>	10	29.09601.053	OIL FILLER CAP	1
<input type="checkbox"/>	10	AB.12013	OIL FILLER CAP	1
<input type="checkbox"/>	11	12.93400.000	BALL BEARING 10.19.5	2

<input type="checkbox"/>	12	10.48030.000	OIL SEAL 12.30.7	1
<input type="checkbox"/>	13	037.010178.059	CAP	1
<input type="checkbox"/>	14	10.66321.000	OIL SEAL	1
<input type="checkbox"/>	15	33.00070.000	SEEGER D.19	1
<input type="checkbox"/>	16	12.93384.000	NEEDLE ROLL 4.15,8 G2 NBR	2



ORDER QTY	REF. NO.	PART NO.	CRANKSHAFT PISTON DESCRIPTION	480 RR RACE 4T
<input type="checkbox"/>	1	037.022008.000	CRANKSHAFT	1
<input type="checkbox"/>	2	030.020508.001	PISTON KIT, 480, SIZE 1	1
<input type="checkbox"/>	2	030.020508.002	PISTON KIT, 480, SIZE 2	1
<input type="checkbox"/>	3	029.020510.000	PISTON PIN	1
<input type="checkbox"/>	4	029.020520.000	CIRCLIP	2
<input type="checkbox"/>	5	006.021538.000	PISTON RING SET 510CC D=100MM	1
<input type="checkbox"/>	6	12.99700.000	BALL BEARING 35.72.17 C4	2
<input type="checkbox"/>	7	C24900020000	SCREW TORX 6X12	4
<input type="checkbox"/>	8	006.010160.000	RETAINIG PLATE MAINBEARING	4
<input type="checkbox"/>	9	10.66085.000	OIL SEAL 45.58.6 SCJ (KOK)	1

<input type="checkbox"/>	10	10.65900.000	OIL SEAL 35.47.6 TCJ	1
<input type="checkbox"/>	11	12.46020.000	KEY 3.5	1
<input type="checkbox"/>	12	12.46000.000	WOODRUFF KEY 3.3,7,9,7	1
<input type="checkbox"/>	13	022.020110.000	NUT M32X1 (CRANKSHAFT)	1
<input type="checkbox"/>	14	006.030230.000	NUT M20X1,5LH (PRIMARY GEAR)	1
<input type="checkbox"/>	15	006.031218.000	CHAIN SPROCKET	1
<input type="checkbox"/>	20	029.020088.000	CONNECTING ROD KIT	1



ORDER QTY	REF. NO.	PART NO.	VALVES . TIMING CHAIN DESCRIPTION	480 RR RACE 4T
<input type="checkbox"/>	1	029.110330.000	EX VALVE, 430/480	1
<input type="checkbox"/>	1	029.110338.200	EX VALVE, 430/480	1
<input type="checkbox"/>	2	029.150320.000	INT VALVE, 430	1
<input type="checkbox"/>	2	029.150328.200	INT VALVE, 430	1
<input type="checkbox"/>	3	006.111390.000	VALVE STEM SEAL	1
<input type="checkbox"/>	4	027.110370.000	VALVE SPRING LOWER SUPPORT	1
<input type="checkbox"/>	5	027.110340.000	VALVE SPRING	1
<input type="checkbox"/>	6	027.110360.000	VALVE SPRING RETAINER	1
<input type="checkbox"/>	7	006.110380.000	VALVE COLLET	1
<input type="checkbox"/>	8	006.110402.000	WASHER 2,000	1

<input type="checkbox"/>	8	006.110402.005	WASHER 2,050	1
<input type="checkbox"/>	8	006.110402.010	SHIM 2,100	1
<input type="checkbox"/>	8	006.110402.015	SHIM 2,150	1
<input type="checkbox"/>	8	006.110402.020	SHIM 2,200	1
<input type="checkbox"/>	8	006.110402.025	SHIM 2,250	1
<input type="checkbox"/>	8	006.110402.030	SHIM 2,300	1
<input type="checkbox"/>	8	006.110402.032	SHIM 2,325	1
<input type="checkbox"/>	8	006.110402.035	SHIM 2,350	1
<input type="checkbox"/>	8	006.110402.037	SHIM 2,375	1
<input type="checkbox"/>	8	006.110402.040	SHIM 2,400	1
<input type="checkbox"/>	8	006.110402.042	SHIM 2,425	1
<input type="checkbox"/>	8	006.110402.045	SHIM 2,450	1
<input type="checkbox"/>	8	006.110402.047	SHIM 2,475	1
<input type="checkbox"/>	8	006.110402.050	SHIM 2,500	1
<input type="checkbox"/>	9	006.110300.000	FINGER FOLLOWER	1
<input type="checkbox"/>	10	006.110310.000	SHAFT (FINGER FOLLOWER)	1
<input type="checkbox"/>	11	10.50010.000	OIL SEAL 8,1,5	1
<input type="checkbox"/>	12	006.150068.000	CLUTCH COVER PLUG, RACING AB.12011 SOLD AS A SET OF 4	1
<input type="checkbox"/>	13	029.111518.000	CAMSHAFT EX CPL.	1
<input type="checkbox"/>	14	006.111500.000	CAMSHAFT, INTAKE	1
<input type="checkbox"/>	15	006.110530.000	NEEDLE ROLLER BEARING NK35/20R	1
<input type="checkbox"/>	16	006.111560.000	AUTODECO SHAFT	1
<input type="checkbox"/>	17	28.22635.000	CICLIP H7	1
<input type="checkbox"/>	18	006.111550.000	AUTODECO WEIGHT	1
<input type="checkbox"/>	19	006.110570.000	BEARING BOLT	1
<input type="checkbox"/>	20	029.110580.000	DECOMP SPRING	1
<input type="checkbox"/>	21	006.110638.000	TIMING CHAING GUIDE HEAD	1
<input type="checkbox"/>	22	006.110660.000	DISTANCE BUSH	1
<input type="checkbox"/>	23	022.110600.000	TIMING CHAIN Z=124	1
<input type="checkbox"/>	24	037.110058.000	CHAIN GUIDE	1
<input type="checkbox"/>	25	037.110068.000	CHAIN TENSIONER	1
<input type="checkbox"/>	26	037.113018.000	CHAIN GUIDE	1
<input type="checkbox"/>	27	10.66466.000	O.RING 20 . 2	1
<input type="checkbox"/>	28	C24240470000	S/S TO C24240450000	1
<input type="checkbox"/>	28	C24240450000	ALLEN SCREW 5X10	1
<input type="checkbox"/>	29	006.110650.000	DISTANCE BUSH, 6,2.9.9	3
<input type="checkbox"/>	30	31.30792.000	SCREW 6.25 DIN 7380 HEAD D=13,6	2

	31	037.113008.000	CHAIN GUIDE	1
	32	11.49070.000	BOLT 6.20	1
	33	006.111678.000	CHAIN TENSIONER CPL RR4T	1
	34	006.111672.000	PISTON	1
	35	28.23105.000	SEEGER RB14 DIN 7993	1
	36	006.111671.000	SCREW CHAIN TENSIONER	1
	37	006.112673.000	CHAIN TIGHTENER SPRING	1
	38	10.66175.000	OIL SEAL 13.1,5	1
	39	006.111688.000	COMPLETE CAP	1
	40	006.450018.000	BETA VALVE SHIM KIT	1
	41	006.080810.000	DISTANCE BUSH	1
	81	006.110402.052	SHIM 2,525	1
	81	006.110402.055	SHIM 2,550	1
	81	006.110402.057	SHIM 2,575	1
	81	006.110402.060	SHIM 2,600	1
	81	006.110402.062	SHIM 2,625	1
	81	006.110402.065	SHIM 2,650	1
	81	006.110402.067	SHIM 2,675	1
	81	006.110402.070	SHIM 2,700	1
	81	006.110402.072	SHIM 2,725	1
	81	006.110402.075	SHIM 2,750	1
	81	006.110402.077	SHIM 2,775	1
	81	006.110402.080	SHIM 2,800	1
	81	006.110402.082	SHIM 2,825	1
	81	006.110402.085	SHIM 2,850	1
	81	006.110402.087	SHIM 2,875	1
	82	006.110402.090	SHIM 2,900	1
	82	006.110402.092	SHIM 2,925	1
	82	006.110402.095	SHIM 2,950	1
	82	006.110402.097	SHIM 2,975	1
	82	006.110403.000	SHIM 3,000	1
	82	006.110403.005	SHIM 3,050	1
	82	006.110403.010	SHIM 3,100	1
	82	006.110403.015	SHIM 3,150	1
	82	006.110403.020	SHIM 3,200	1

