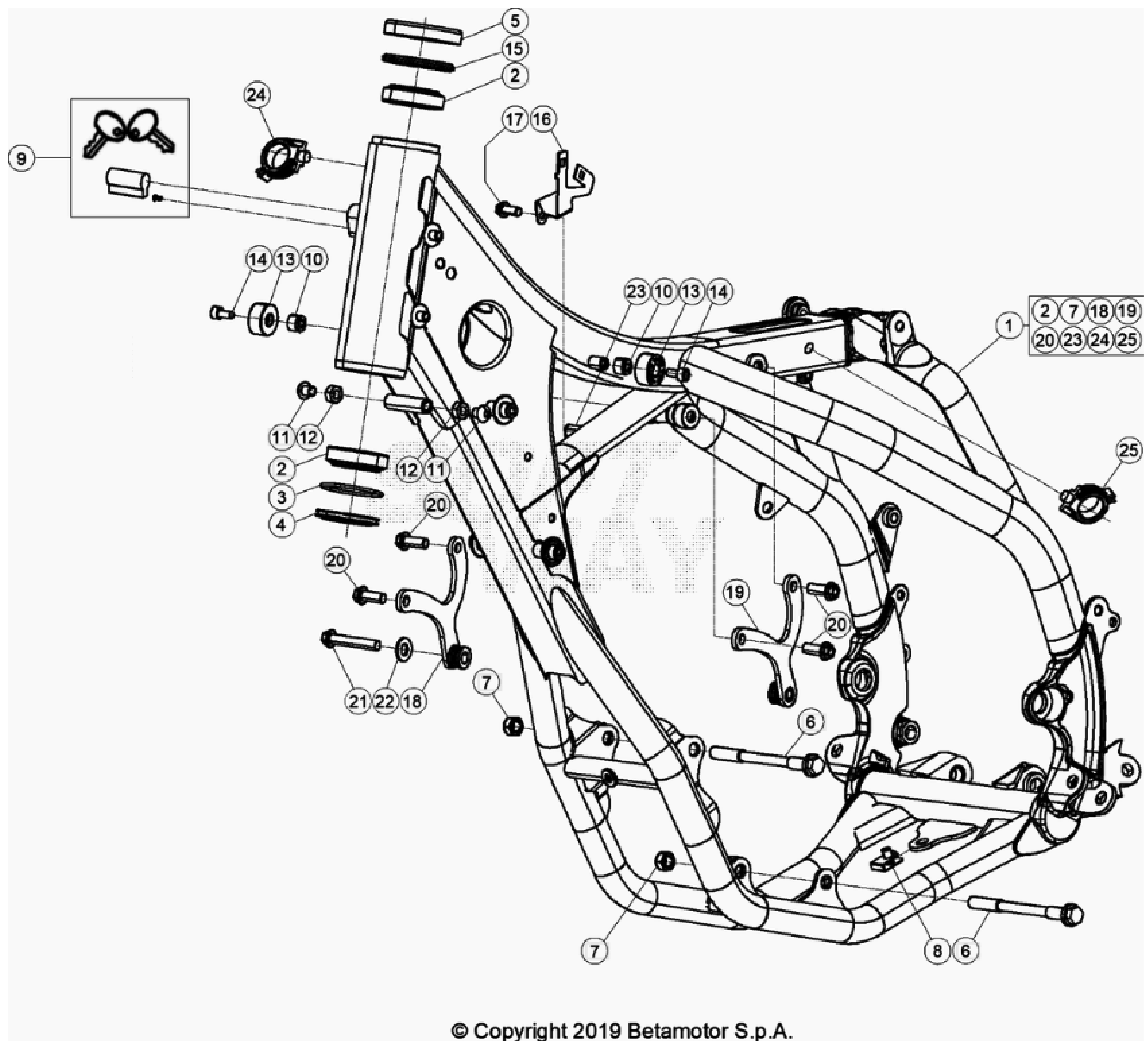


MC **MOTOCROSS** **CENTER.COM**

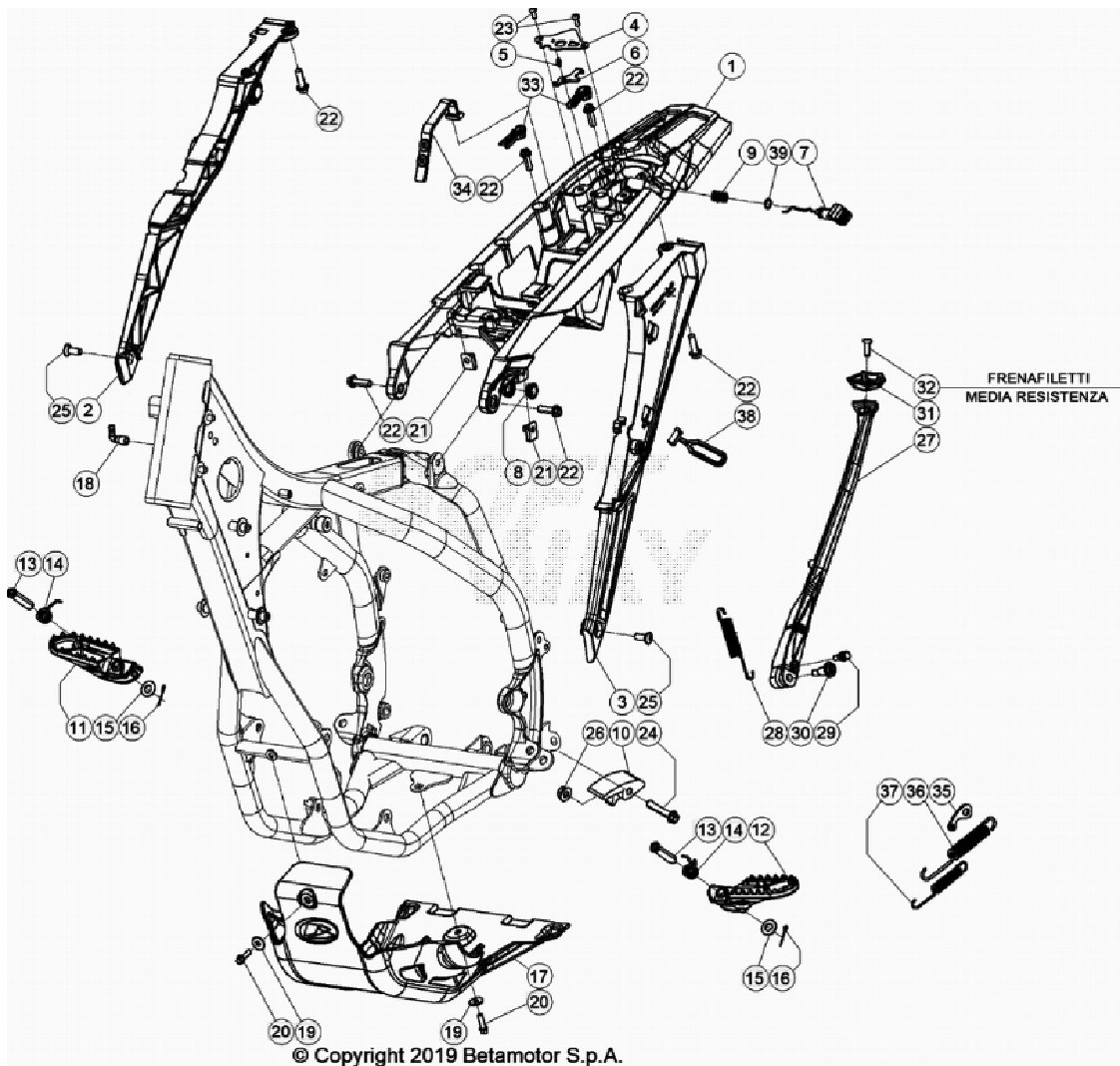
Beta Enduro RR 480 2020





Ref.	Part Number	Description	Parts
1	037.31.058.80.50	FRAME RED RR 4T NEW	1
2	1.299.510.000	SEAL 29.50.15	2
3	1.066.935.000	O RING	1
4	020.31.039.00.00	FRONT FORK RING, RR 4T MY'10	1
5	031.31.016.22.00	PROTECTION, UPPER BEARING	1
6	1.164.607.000	SPECIAL BOLT	2
7	1.321.060.000	NUT, M10X1,25 H.8.5 14MM SELF-LOCKING	2
8	2.560.311.000	M6 SCREW PLATE	1
9	037.31.024.00.00	STEERING LOCK PIN TUMBLER NEW	1
11	3.164.060.000	SCREW 8.16	2
12	1.316.000.000	NUT 8.6	2

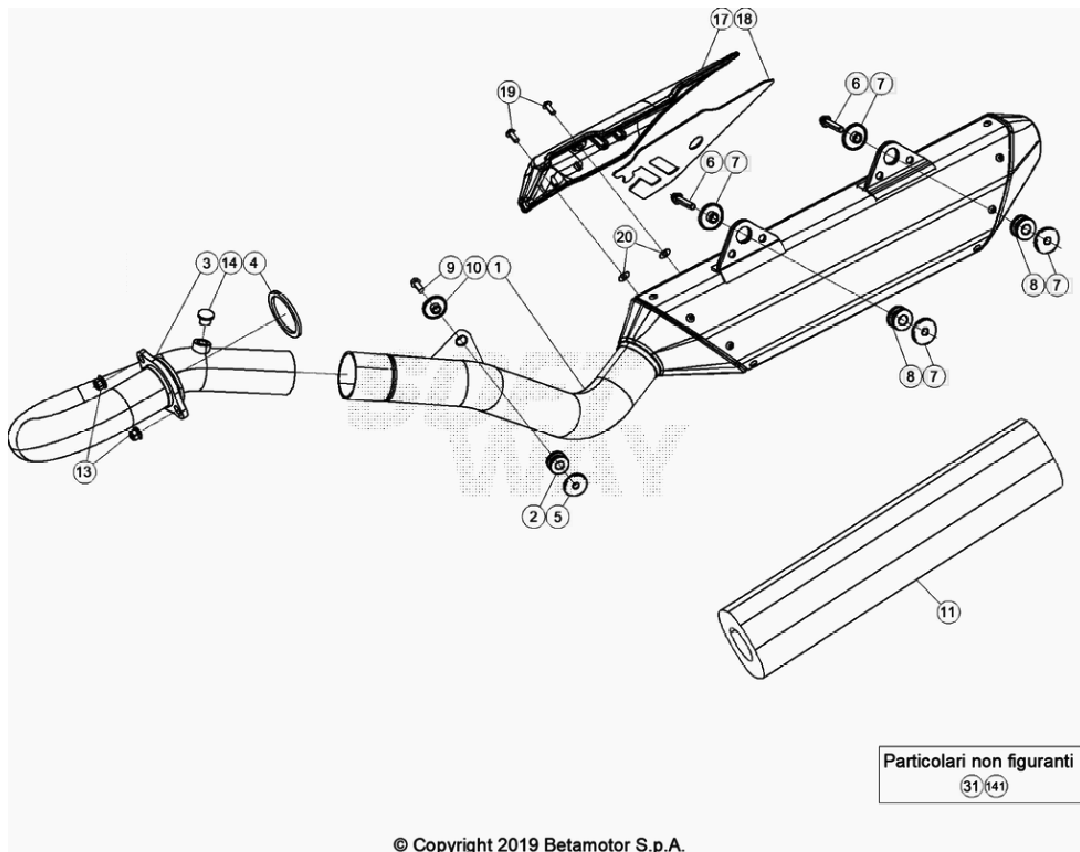
13	2.910.310.000	TANK RUBBER PAD	2
14	3.131.050.000	SCREW 6.20	2
15	031.32.007.00.00	OIL SEAL	1
16	037.40.021.22.00	BRACKET NEW	1
17	1.148.025.000	BOLT 6.16	1
18	037.32.006.80.00	ENGINE CONNECTION RR 4T NEW	1
19	037.32.007.50.00	ENGINE CONNECTION RR 4T NEW	1
20	1.154.521.000	BOLT 8.16 CH.10	4
21	1.155.970.000	BOLT 8.65 PF CH13 RS	1
22	C19.28.008.00.00	WASHER 8X16X1,6 DIN125-A HV300 NEW	1
23	2.733.741.000	RIVNUT	1
24	2.524.444.000	FAIR LEAD D.19, RR 4T	1
25	2.524.440.000	FAIR LEAD	1
26	2.524.443.000	FAIR LEAD, 6/6	1



Ref.	Part Number	Description	Parts
1	040.32.035.80.59	REAR FRAME NEW	1
2	037.32.041.87.59	REAR FRAME CONNECTION BLACK RR NEW	1
3	037.32.043.87.59	REAR FRAME CONNECTION BLACK RR 0L0101002-6L0101151 NEW	1
4	020.32.010.00.05	SEAT LOCK FIXING PLATE	1
5	020.32.112.00.00	SEAT LOCK SPECIAL RIVET	1
6	037.32.013.50.00	RETAINING PLATE NEW	1
7	037.32.014.87.59	SEAT BUTTON BLACK RR NEW	1
8	037.38.003.00.00	INSERT NEW	1
9	020.32.016.00.00	SEAT LOCK BUTTON SPRING	1

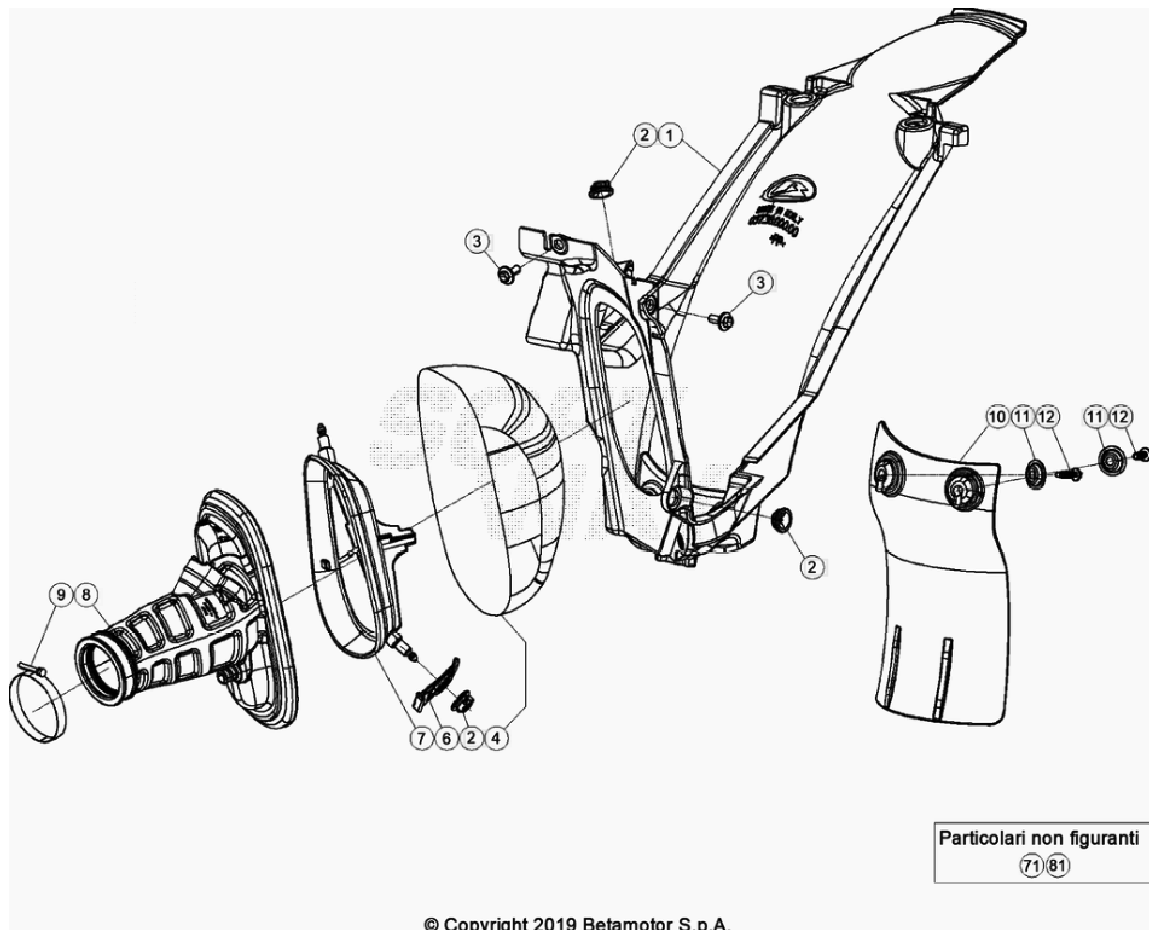
10	2.525.601.000	SLIDING BLOCK	1
11	037.32.009.00.00	FOOTPEG NEW	1
12	037.32.008.00.00	FOOTPEG NEW	1
13	2.554.465.000	PIVOT PIN, FOOTREST RR 4T	2
14	037.32.019.00.00	SPRING NEW	2
15	031.32.001.00.00	WASHER 10.20..1,5	2
16	1.281.993.000	SPLIT PIN	2
17	037.32.018.00.59	ENGINE GUARD RR 4T NEW	1
18	2.723.470.000	BREATHER PIPE HOSE	1
19	2.742.000.000	WASHER 6.18 NEW	2
20	1.149.070.000	BOLT 6.20	2
21	2.560.311.000	M6 SCREW PLATE	2
22	3.164.070.000	SCREW 8.30	6
23	3.129.810.000	SCREW 5.12	2
24	1.155.480.000	BOLT 8.40	1
25	007.32.032.00.00	SCREW TSBEI CH 6 M8X20	2
26	1.317.120.000	NUT M8	1
27	037.32.010.82.00	SUPPORT - KIT NEW	1
28	037.32.030.00.00	SPRING NEW	1
29	1.166.615.000	SPECIAL BOLT	1
30	1.166.614.000	SPECIAL BOLT, RR 4T '08	1
31	037.32.017.00.00	INSERT NEW	1
32	3.134.400.000	SCREW 6.20	1
33	037.32.027.00.00	RUBBER PAD - KIT NEW	1
34	037.43.043.00.00	BATTERY RUBBER BAND NEW	1
35	037.32.031.50.00	STAND SPRING BRACKET	1

		NEW	
36	037.32.029.00.00	SPRING	1
		NEW	
37	037.32.028.00.00	SPRING	1
		NEW	
38	1.634.907.000	STAND RUBBER, RR 4T	1
39	C02.06.066.00.00	SEALING RING 9.52x1.78	1
		NEW	



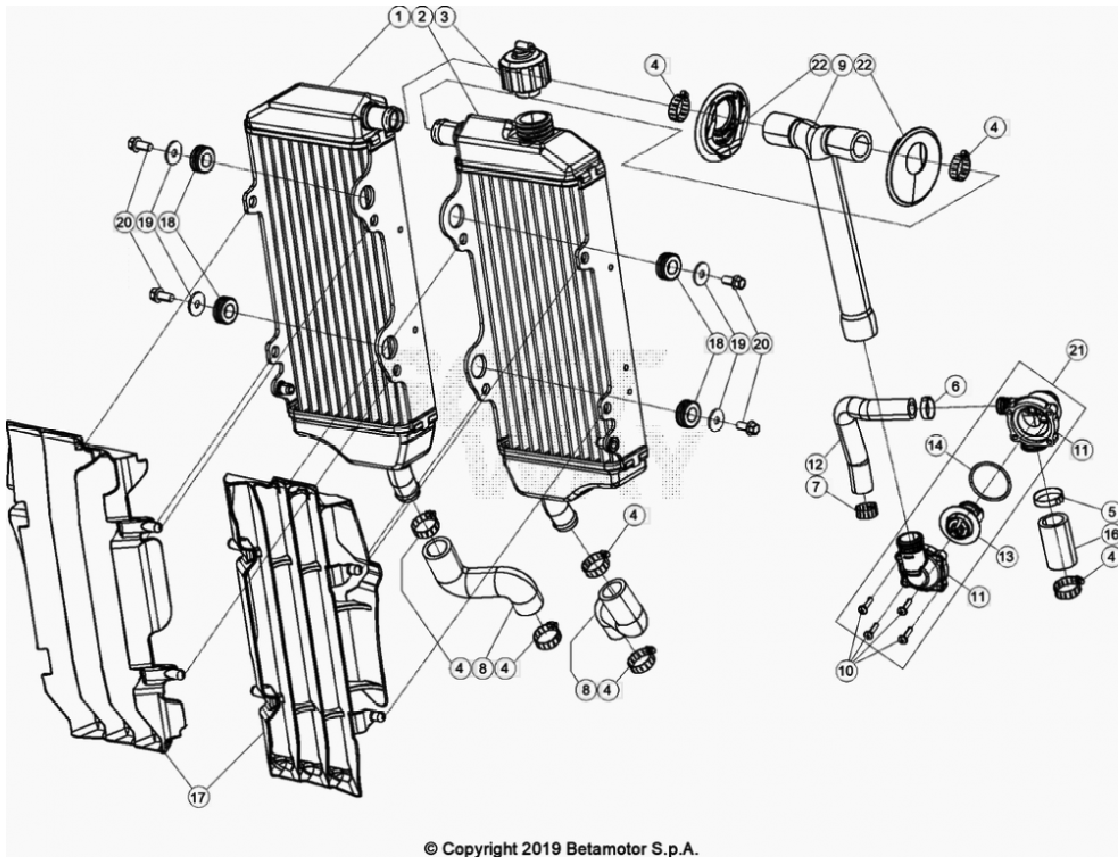
Ref.	Part Number	Description	Parts
1	037.37.000.80.00	SILENCER RR 4T NEW	1
2	007.37.035.00.00	RUBBER SILENT BLOCK	1
3	037.37.008.00.00	EXHAUST MANIFOLD RR 4T NEW	1
4	020.37.004.00.00	SEALING EXHAUST FLANGE	1
5	007.37.037.00.00	SILENT BLOCK THREADED CUP	1
6	1.150.300.000	BOLT 6.30 RS CH8	2
7	026.37.006.00.00	SPACER	4
8	032.37.013.00.00	EXHAUST PIPE SILENT-BLOCK, RR4T	2
9	1.149.070.000	BOLT 6.20	1
10	037.37.021.00.00	SPACER NEW	1
11	031.45.108.82.00	SILENCER - KIT	1
13	1.317.121.000	NUT M8, SPECIAL CH.10	2
14	031.37.030.00.00	OXYGEN SENSOR PLUG	1
17	037.37.009.85.59	SILENCER GUARD RR 4T	1

		NEW	
18	037.37.010.00.00	HEAT GUARD RR 4T	1
		NEW	
19	3.129.810.000	SCREW 5.12	2
20	1.647.491.000	SPECIAL GASKET 6 X 13 TH.1,8	2
31	037.37.002.00.00	EXHAUST MANIFOLD RR 4T EU	1
		NEW	
141	029.13.010.00.00	SENSOR AIR	1



Ref.	Part Number	Description	Parts
1	037.38.000.87.59	AIRBOX BLACK RR NEW	1
2	037.38.003.00.00	INSERT NEW	3
3	037.43.029.00.00	SPECIAL BOLT M6X12 NEW	2
4	037.38.002.82.00	AIR FILTER NEW	1
6	037.38.006.00.59	AIR BOX BRACKET BLACK RR NEW	1
7	037.38.001.87.00	AIR FILTER CAGE RR 4T NEW	1
8	037.38.004.00.00	AIRBOX SLEEVE RR 4T NEW	1
9	1.514.606.000	CLAMP	1
10	026.38.007.10.59	PROTECTION REAR SHOCK	1
11	2.774.786.000	WASHER	2

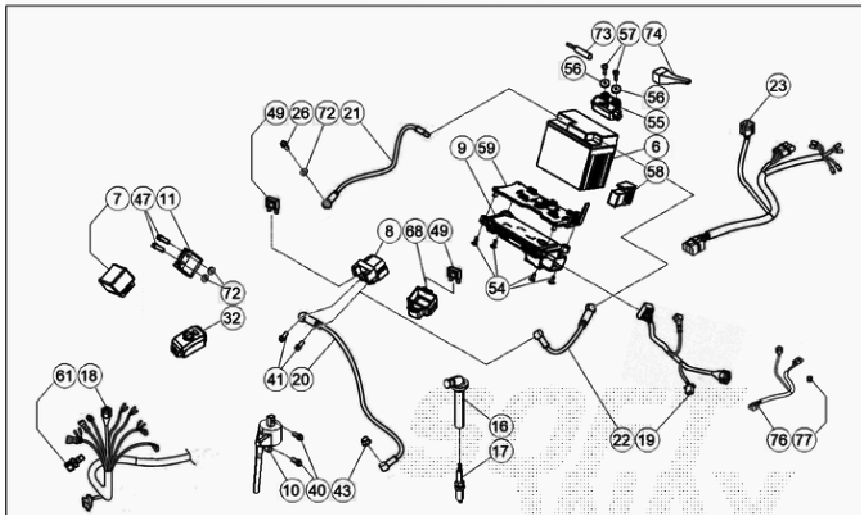
12	3.130.815.000	SCREW 6.20	2
71	037.38.008.00.00	CAGE NEW	1
81	037.38.005.00.00	AIRBOX SLEEVE RR 4T EU NEW	1



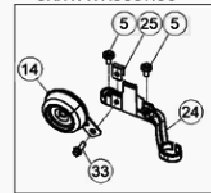
Ref.	Part Number	Description	Parts
1	037.39.001.00.00	RADIATOR RR 4T NEW	1
2	037.39.002.00.00	RADIATOR RR 4T NEW	1
3	037.39.021.00.00	RADIATOR CAP RR 4T NEW	1
4	1.515.240.000	CLAMP 16/27	7
5	C07.16.005.00.00	TIE WRAP D25	1
6	020.39.009.00.00	SELF LOCKING CLAMP, 17	1
7	1.515.220.000	CLAMP	1
8	037.39.013.00.00	RADIATOR HOSE RR 4T NEW	2
9	037.39.009.00.00	THERMOSTAT HOSE RR 4T NEW	1
10	031.39.017.50.00	SCREW M3,5X18	4
11	037.39.006.00.00	THERMOSTAT CASE RR NEW	0
12	037.39.012.00.00	THERMOSTAT HOSE RR 4T NEW	1

13	020.39.013.00.00	TERMOSTAT RR 4T MY'10	1
14	1.066.830.000	O-RING	1
16	040.39.000.00.00	WATER HOSE RR 2T NEW	1
17	037.39.003.00.51	RADIATOR LOUVER PAIR WHITE RR NEW	1
18	035.39.006.00.00	SILENT BLOCK NEW	4
19	2.743.250.000	WASHER 6.24	4
20	1.147.015.000	BOLT 6.12 RS CH8	4
21	037.39.006.80.00	THERMOSTAT RR 4T NEW	1
22	037.39.015.00.00	CAP NEW	2

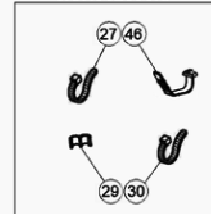
GR. COMPONENTI ELETTRICI/CABLAGGI



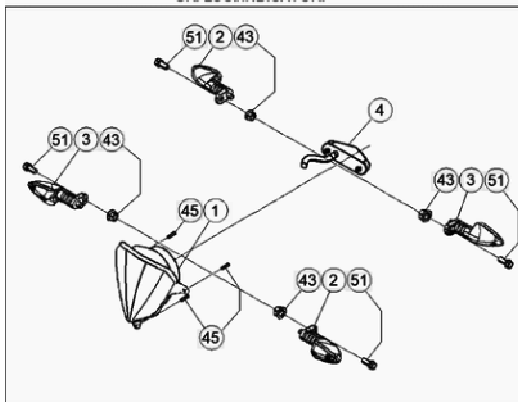
GR. AVV. ACUSTICO



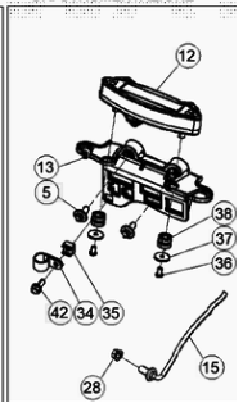
GR. ACCESSORI



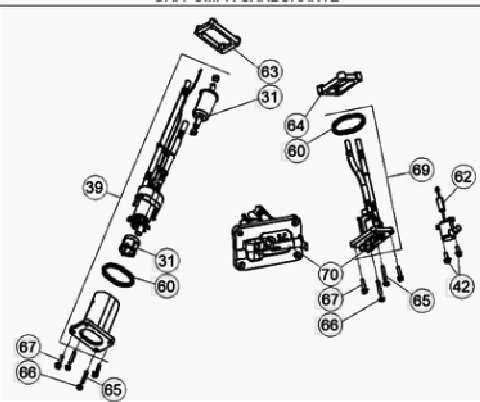
GR. LUCI/INDICATORI



GR. STRUMENTAZIONE



GR. POMPA CARBURANTE



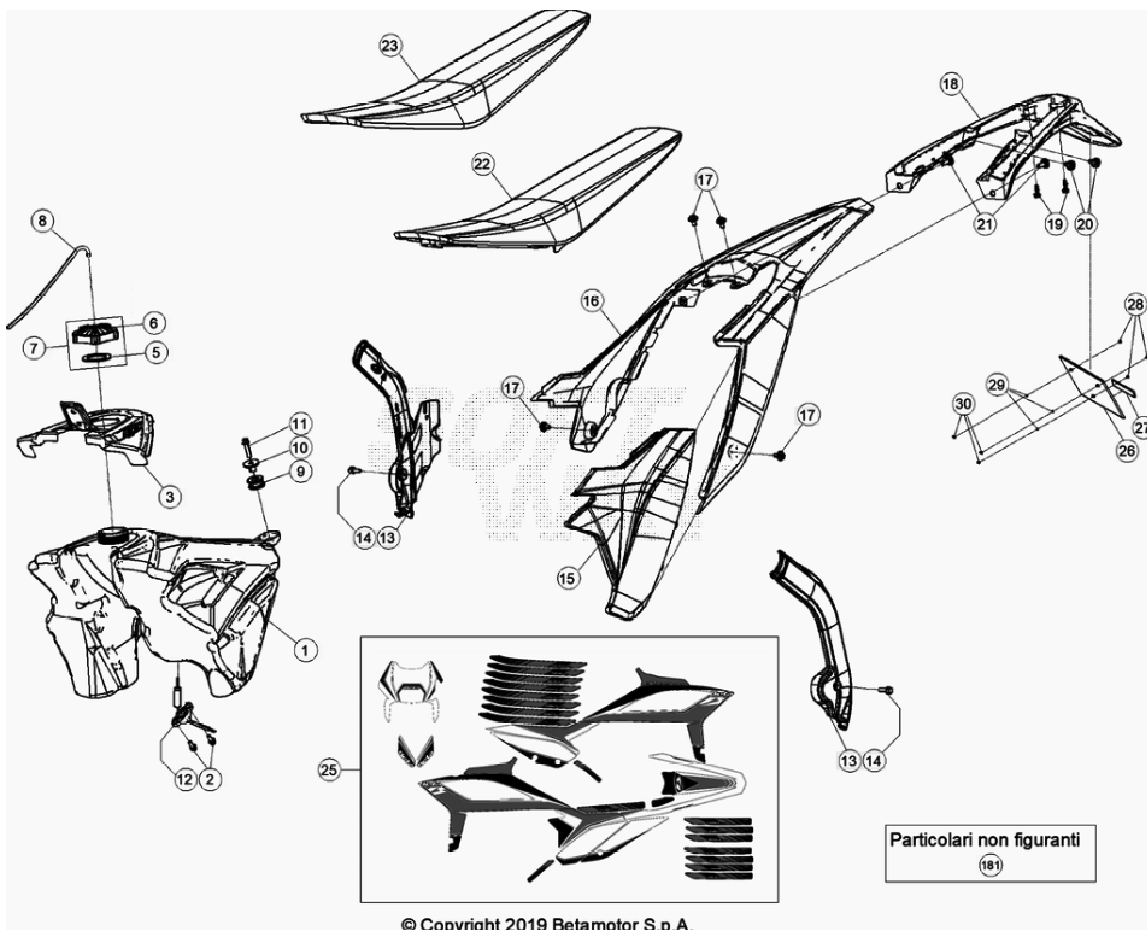
© Copyright 2019 Betamotor S.p.A.

Ref.	Part Number	Description	Parts
1	031.40.006.00.00	HEADLIGHT	1
2	020.40.061.00.00	BLINKER F/LF - R/RH	2
3	020.40.060.00.00	BLINKER F/RH - R/LF	2
4	037.40.012.00.00	REAR HEADLIGHT	1
5	037.43.028.00.00	SPECIAL BOLT M6X8	4
6	031.40.124.00.00	BATTERY	1
7	1.884.948.000	FLASHING DEVICE	1
8	2.728.471.000	RELAIS, STARTING	1
9	031.40.015.10.00	UNPROGRAMMED CDI UNIT	1
10	031.40.021.37.00	IGNITION COIL	1
11	031.40.025.37.00	REGULATOR	1
12	037.40.005.00.00	DIGITAL DASHBOARD RR 4T NEW	1
13	037.40.001.00.00	DASHBOARD BRACKET RR	1

		NEW	
14	007.40.050.00.00	HORN	1
15	031.40.166.00.00	REED SENSOR	1
		NEW	
16	006.10.055.00.00	SPARK PLUG CONNECTOR RR4T MY'10	1
17	006.10.050.00.00	SPARK PLUG, M12X1,25	1
18	037.40.010.00.00	SECONDARY WIRING HARNESS RR 4T	1
		NEW	
19	037.40.052.80.00	MAIN WIRING HARNESS RR 4T	1
		NEW	
20	037.40.008.00.00	RELAY WIRING HARNESS RR 4T	1
		NEW	
21	020.40.002.00.00	RR4T MY'10 GROUND WIRING SYSTEM	1
22	037.40.007.00.00	RELAY WIRING HARNESS	1
		NEW	
23	037.40.009.00.00	SECONDARY WIRING HARNESS RR 4T	1
		NEW	
24	037.40.023.00.59	HORN BRACKET BLACK RR	1
		NEW	
25	2.560.311.000	M6 SCREW PLATE	1
26	3.138.020.000	SCREW 6.10	1
27	037.40.026.00.00	TIE WRAP	5
		NEW	
28	1.317.121.000	NUT M8, SPECIAL CH.10	1
29	2.524.443.000	FAIR LEAD, 6/6	1
30	1.514.264.000	WHITE CLAMP	1
31	031.40.043.82.00	KIT, FUEL PUMP FILTER	1
32	007.40.088.00.00	ECU MAP SWITCH EVO	1
		NEW	
33	1.146.501.000	BOLT 6.10	1
34	2.525.182.000	CLAMP "NYLPAS016R"	1
35	037.40.030.00.00	CLIP	1
		NEW	
36	3.173.000.000	SCREW 4.8	2
37	2.734.800.000	WASHER 4.16	2
38	031.40.013.00.00	RUBBER BUFFER	2

39	037.40.031.82.00	CARBURETOR PUMP - KIT NEW	1
40	1.149.070.000	BOLT 6.20	2
41	3.130.190.000	SCREW 6.8	2
42	1.146.251.000	BOLT 5,12	3
43	1.312.550.000	NUT M8.5	5
45	3.123.580.000	PARKER SCREW 4,8.13	3
46	037.43.043.00.00	RUBBER BAND	1
47	1.147.015.000	BOLT 6.12 RS CH8	2
49	020.40.006.00.00	10/32V FUSE	2
51	1.148.025.000	BOLT 6.16	4
54	3.123.370.000	SCREW 4.11	4
55	031.40.017.00.00	TILT SENSOR	1
56	2.734.800.000	WASHER 4.16	2
57	3.123.560.000	SCREW	2
58	031.40.039.00.00	RELAY	1
59	031.40.016.10.00	CDI BRACKET	1
60	031.40.044.82.00	PACKINGS KIT	1
61	029.13.004.00.00	TEMPERATURE SENSOR	1
62	037.40.002.00.00	PROBE RR 4T NEW	1
63	031.43.087.00.00	FUEL PUMP FIXING PLATE	1
64	031.43.090.00.00	FUEL PUMP FIXING PLATE	1
65	C24.75.002.00.00	STUD BOLT 5.22	4
66	C24.07.013.00.00	NUT 5, SELF-BLOCKING	4
67	1.146.401.000	BOLT 5.20 RS CH8	4
68	037.40.006.00.00	ELASTIC	1
69	031.40.045.82.00	REGULATOR KIT	1
70	031.40.049.82.00	KIT	1
72	2.740.500.000	WASHER 6.12.1,6 DIN 125	3
73	037.40.022.00.00	CAPACITOR NEW	1
74	031.40.052.00.00	DIODES	1

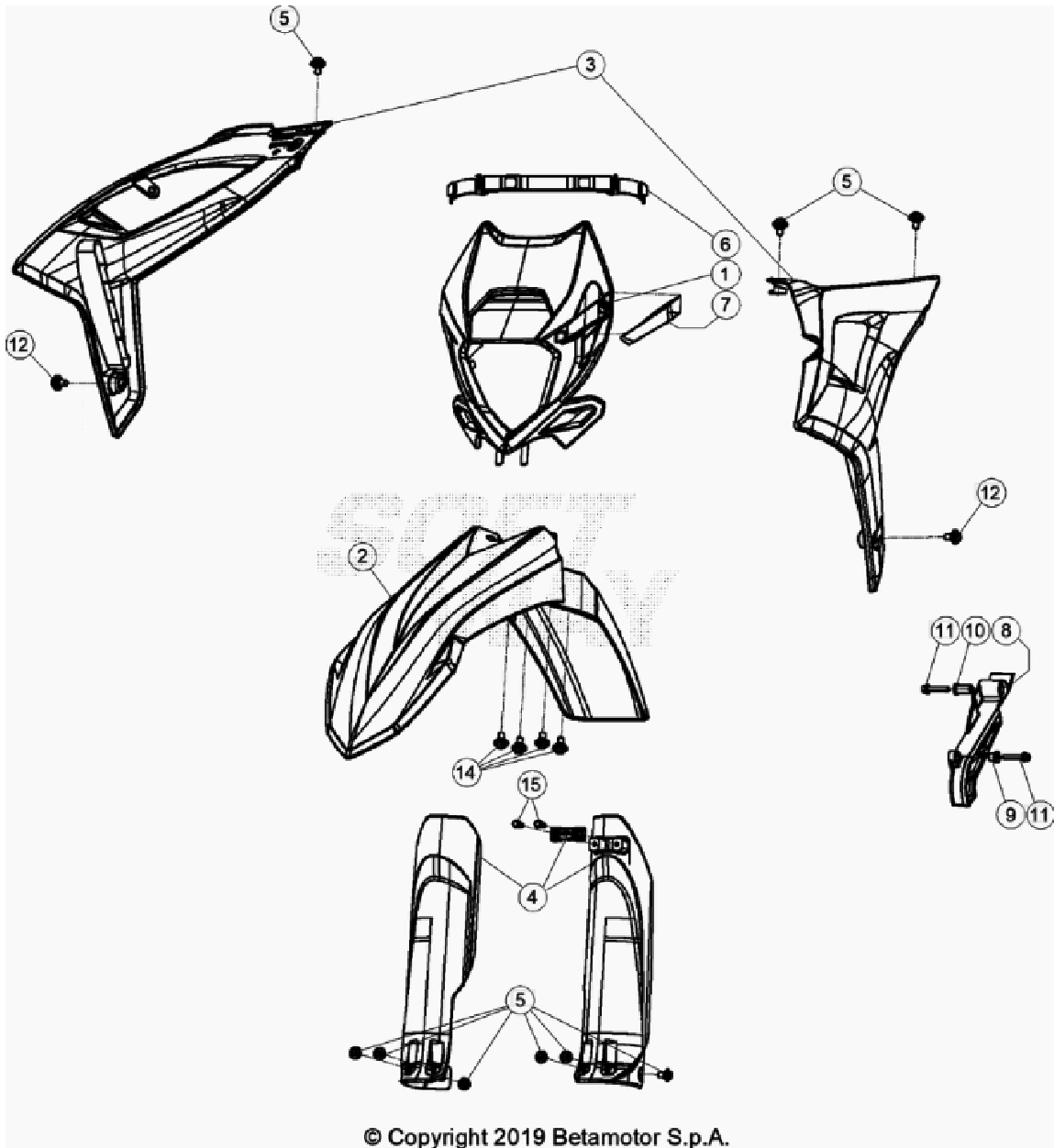
76	031.40.078.00.00	ELECTRICAL DIAGNOSIS SYSTEM	1
77	031.40.074.00.00	PLUG	1



© Copyright 2019 Betamotor S.p.A.

Ref.	Part Number	Description	Parts
1	037.43.000.00.51	FUEL TANK WHITE RR 4T NEW	1
2	1.146.251.000	BOLT 5,12	2
3	037.43.006.00.59	TANK COVER BLACK RR NEW	1
4	3.189.010.000	SPECIAL SCREW NEW	1
5	031.43.116.00.00	GASKET	1
6	036.43.041.80.00	FUEL TANK CAP	1
7	036.43.041.82.00	FUEL TANK CAP	1
8	020.43.003.00.00	EXHAUST TUBE PLUG/VALVE RR 4TMY'10	1
9	032.37.013.00.00	EXHAUST PIPE SILENT-BLOCK, RR4T	1
11	1.150.300.000	BOLT 6.30 RS CH8	1
12	037.40.002.00.00	PROBE RR 4T NEW	1
13	037.43.019.00.59	FRAME GUARD - PAIR BLACK RR	1

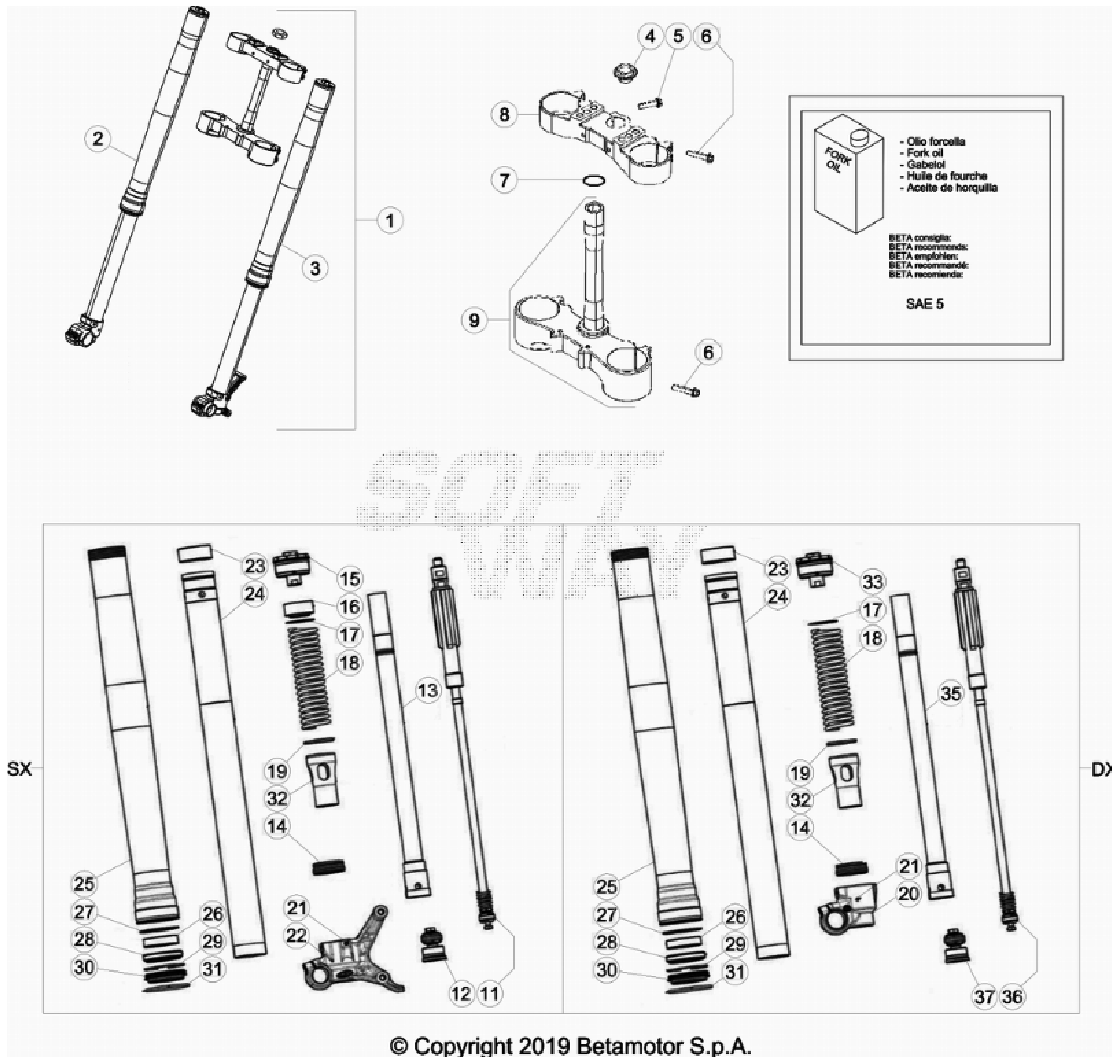
		NEW	
14	C24.31.046.00.00	SCREW M5X8 8.8 DIN6921	2
15	037.43.005.87.51	SIDE PANEL WHITE RR	1
		NEW	
16	037.43.007.87.51	REAR FENDER WHITE RR	1
		NEW	
17	037.43.028.00.00	SPECIAL BOLT M6x8	4
		NEW	
18	037.43.014.00.59	LICENSE PLATE HOLDER BLACK RR	1
		NEW	
19	3.179.960.000	SCREW, 6X15	2
20	037.43.029.00.00	SPECIAL BOLT M6x12	2
		NEW	
21	037.43.030.00.00	SPECIAL BOLT M6x16	2
		NEW	
22	037.43.010.82.59	NEW	1
23	037.43.013.82.59	NEW	1
25	037.43.018.82.00	DECALS - FULL SET RR MY20	1
		NEW	
26	018.43.010.10.59	LICENCE PLATE BRACKET	1
27	1.233.086.000	REAR REFRECTOR, RR 4T	1
28	3.129.860.000	SCREW 5.16	3
29	2.736.000.000	WASHER 5.11	3
30	1.311.010.000	NUT 5, SELF-BLOCKING NUT 5	3
181	037.43.015.00.59	LICENSE PLATE HOLDER BLACK RR	1
		NEW	



© Copyright 2019 Betamotor S.p.A.

Ref.	Part Number	Description	Parts
1	037.43.008.00.51	HEADLIGHT MASK WHITE RR NEW	1
2	037.43.009.00.51	FRONT FENDER WHITE RR NEW	1
3	037.43.001.00.51	TANK PANEL - PAIR WHITE RR NEW	1
4	026.45.113.82.51	FORK TUBE COVER - KIT WHITE RR	1
5	037.43.028.00.00	SPECIAL BOLT M6x8 NEW	9
6	037.43.020.00.59	HEADLIGHT MASK RUBBER BAND NEW	1

7	037.43.017.00.51	FAIRLEAD WHITE RR NEW	1
8	037.43.026.00.59	PINION GUARD BLACK RR 4T NEW	1
9	1.349.190.000	SPACER	1
10	1.349.189.000	SPACER	1
11	1.150.300.000	BOLT 6.30 RS CH8	2
12	037.43.030.00.00	SPECIAL BOLT M6x16 NEW	2
13	3.123.580.000	PARKER SCREW 4,8.13 NEW	1
14	037.43.029.00.00	SPECIAL BOLT M6x12 NEW	4
15	3.130.030.000	SCREW 5,5.15	2



© Copyright 2019 Betamotor S.p.A.

Ref.	Part Number	Description	Parts
1	037.34.000.80.00	FRONT FORK ASSY RR 4T MY20 NEW	1
2	037.34.003.80.00	RIGHT FORK LEG RR 4T NEW	1
3	037.34.004.80.00	LEFT FORK LEG RR 4T NEW	1
4	020.34.004.00.00	FRONT FORK 20X1,5 NUT RR 4T MY'11	1
5	1.155.440.000	BOLT 8.30 RS CH10	1
6	1.155.510.000	BOLT 8.40	8
7	1.066.420.000	O-RING 20,22.3,53 NBR	1
8	037.34.001.42.00	UPPER TRIPLE CLAMP RR 4T NEW	1
9	037.34.002.80.00	TRIPLE CLAMP ASSY RR NEW	1

11	037.34.017.00.00	EXTENSION GROUP NEW	1
12	037.34.019.00.00	COMPRESSION GROUP NEW	1
13	037.34.015.00.00	HOSE NEW	1
14	020.34.313.00.00	STEM SUPPORTING RING + O RING	2
15	037.34.009.00.00	CAP NEW	1
16	037.34.011.00.00	SPACER NEW	1
17	031.34.323.00.00	WASHER	2
18	031.34.025.00.00	SPRING, K=4,8 N/MM	2
19	020.34.321.00.00	CENTERING RING	2
20	037.34.014.00.00	FORK BOTTOM NEW	1
21	020.34.308.00.00	DOWEL	2
22	037.34.013.00.00	FORK BOTTOM NEW	1
23	020.34.320.00.00	BUSH D.49/47 L20	2
24	031.34.021.00.00	STEM	2
25	037.34.008.00.00	FORK SLIDER NEW	2
26	031.34.020.00.00	BUSH	2
27	020.34.318.00.00	SPACER	2
28	020.34.317.00.00	OIL SEAL	2
29	020.34.316.00.00	CIRCLIP D.58,45	2
30	020.34.315.00.00	DUST SCRAPER	2
31	026.34.364.00.00	CHECK RING	2
32	037.34.012.00.00	SPRING GUIDE NEW	2
33	037.34.010.00.00	CAP NEW	1
35	037.34.016.00.00	HOSE NEW	1
36	037.34.018.00.00	EXTENSION GROUP	1

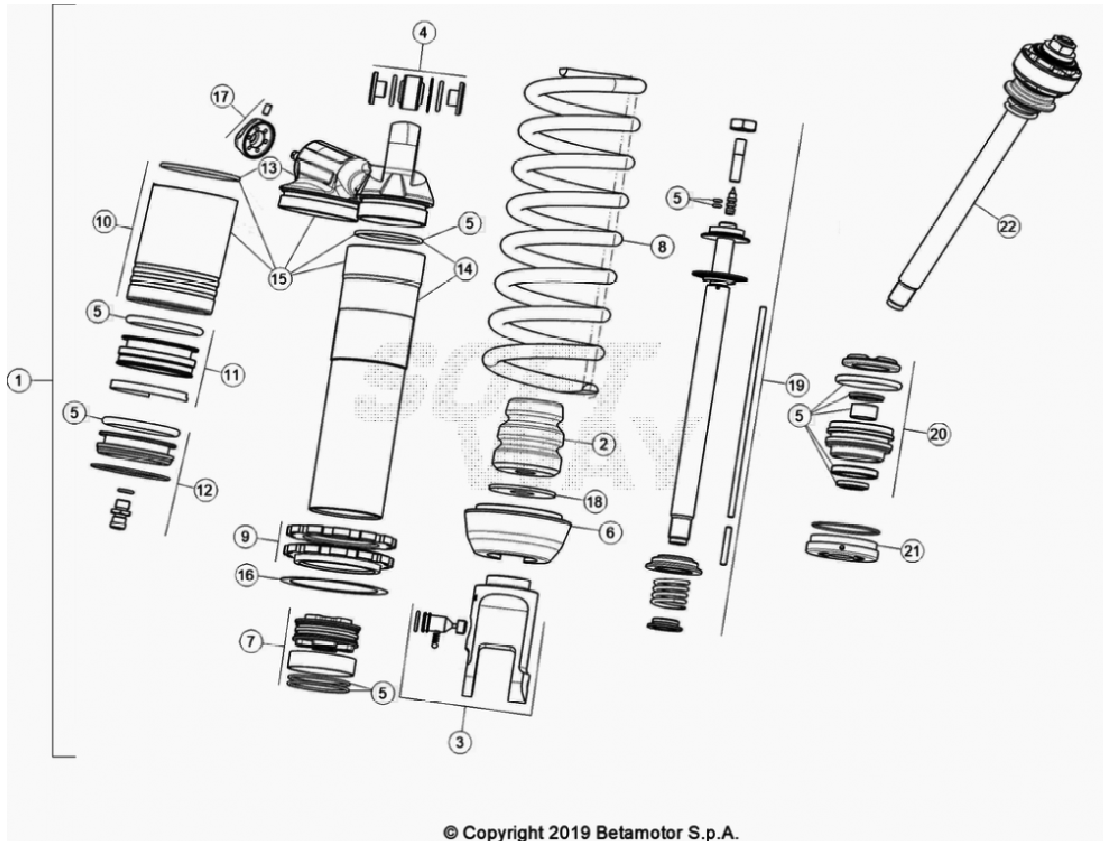
NEW

37 037.34.020.00.00

COMPRESSION GROUP

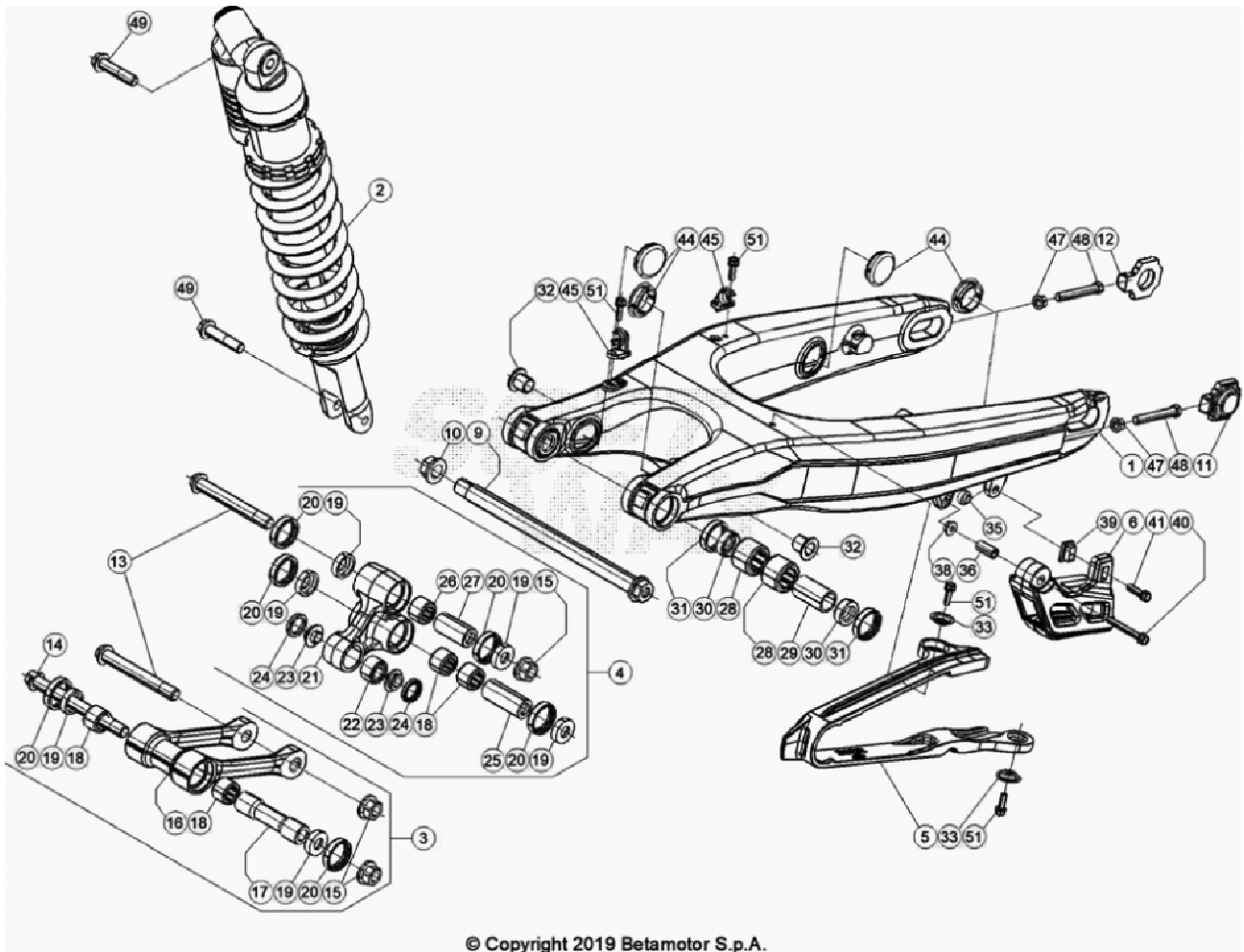
1

NEW



Ref.	Part Number	Description	Parts
1	037.33.000.80.00	SHOCK ABSORBER RR 4T NEW	1
2	037.33.009.00.00	SHOCK ABSORBER BUMPER NEW	1
3	037.33.010.00.00	SHOCK ABSORBER FORK NEW	1
4	1.386.078.800	SHOCK ABSORBER SPACERS *SET*	1
5	037.33.011.82.00	GASKET - KIT NEW	0
6	037.33.007.00.00	SPRING CAP NEW	1
7	026.33.020.00.00	PISTON	1
8	031.33.026.00.00	SPRING K 5,4 N/MM	1
9	026.33.019.00.00	SHOCK ABSORBER ADJUSTING NUT - KIT	1
10	026.33.012.00.00	SHOCK ABSORBER GAS TANK	1
11	026.33.013.00.00	MEMBRANE	1
12	026.33.014.00.00	CAP	1
13	037.33.013.00.00	CAP	1

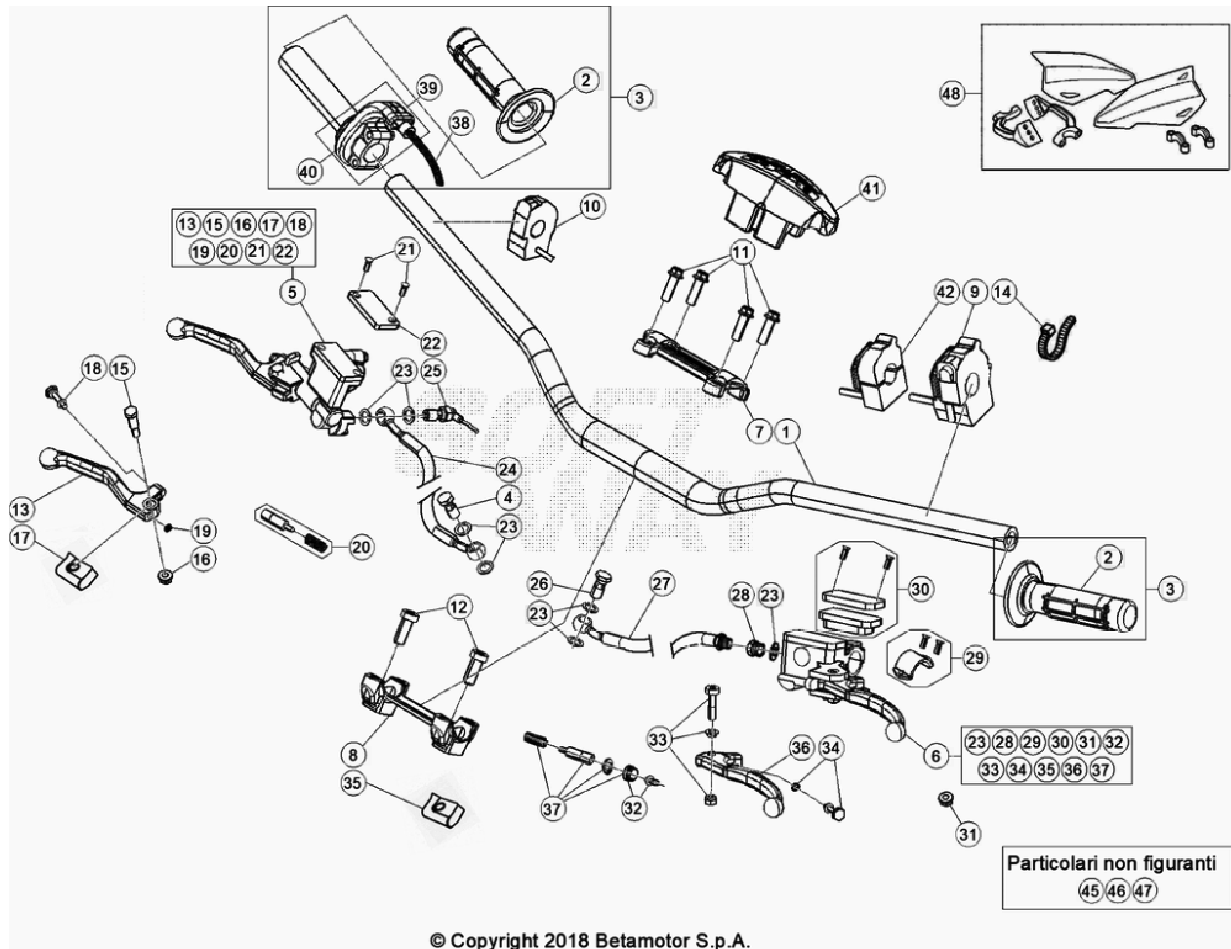
		NEW	
14	037.33.014.00.00	SHOCK ABSORBER BODY	1
		NEW	
15	037.33.015.00.00	SHOCK ABSORBER BODY	1
		NEW	
16	031.33.012.00.00	WASHER	1
17	026.33.021.00.00	ADJUSTMENT	1
18	031.33.014.00.00	WASHER	1
19	037.33.016.00.00	FORK TUBE	1
		NEW	
20	037.33.017.00.00	GUIDE	1
		NEW	
21	026.33.026.00.00	CAP	1
22	037.33.018.80.00	FORK TUBE ASSY	1
		NEW	



Ref.	Part Number	Description	Parts
1	037.33.003.00.59	SWINGARM BLACK RR NEW	1
2	037.33.000.80.00	SHOCK ABSORBER RR 4T NEW	1
3	020.33.030.80.00	CONNECTING ROD ASSY	1
4	020.33.020.80.00	RELAY ARM ASSY	1
5	037.33.006.00.00	CHAIN SLIDING PROTECTION NEW	1
6	037.33.004.00.00	CHAIN GUIDE NEW	1
9	037.33.005.50.00	SWINGARM PIVOT BOLT NEW	1
10	037.33.008.50.00	NUT NEW	1
11	2.911.866.100	LEFT CHAIN TIGHTENER, RR 4T	1
12	2.911.865.100	RIGHT CHAIN TIGHTENER, RR 4T	1

13	1.163.992.000	BOLT 12 . 1,25 . 96	2
14	020.33.032.00.00	SPECIAL SCREW M12 X 1.25 X 124	1
15	1.321.130.000	SELF-BLOCKING NUT 12.1,25	3
16	020.33.030.00.00	CONNECTING ROD	1
17	020.33.031.00.00	SPACER, CONNECTING ROD	1
18	1.122.055.000	SEAL, 20 X 26 X 16 RR 4T	4
19	2.814.083.000	ROCKING LEVER CUP, RR 4T	6
20	1.064.481.000	OIL SEAL, 25X32X7	6
21	020.33.020.00.00	RELAY ARM	1
22	1.617.310.000	SEAL 24.12.13	1
23	1.121.920.000	BUSH	2
24	1.056.020.000	OIL SEAL 16.24.4	2
25	1.362.813.000	SPACER, 12 X 20 X 50	1
26	1.122.061.000	SEAL, 20 X 26 X 30	1
27	1.362.812.000	SPACER, 12 X 20 X 40	1
28	1.122.056.000	SEAL, 22 X 12 V	4
29	1.349.183.000	SPACER, SWINGING ARM VEM	2
30	2.814.081.000	RR4T SWINGING ARM PART	4
31	1.064.481.000	OIL SEAL, 25X32X7	4
32	020.33.001.00.00	SWINGINGARM BUSH, RR 4T MY'10	2
33	2.774.786.000	WASHER	2
35	1.312.610.000	SPECIAL NUT	1
36	1.349.191.000	SPACER	1
38	1.313.020.000	NUT 6, SELF-BLOCKING	1
39	1.348.868.000	SPACER	1
40	1.150.535.000	BOLT 6,45	1
41	1.149.070.000	BOLT 6.20	1
44	2.910.596.136	PLUG, PIVOT PINE SWING ARM (D.30)	4
45	1.514.605.000	CLAMP	2
47	1.317.122.000	NUT M8	2
48	1.155.909.000	BOLT 8.55	2

49	1.162.050.000	BOLT 10.45 1,25(10.9)	2
51	1.146.251.000	BOLT 5,12	4

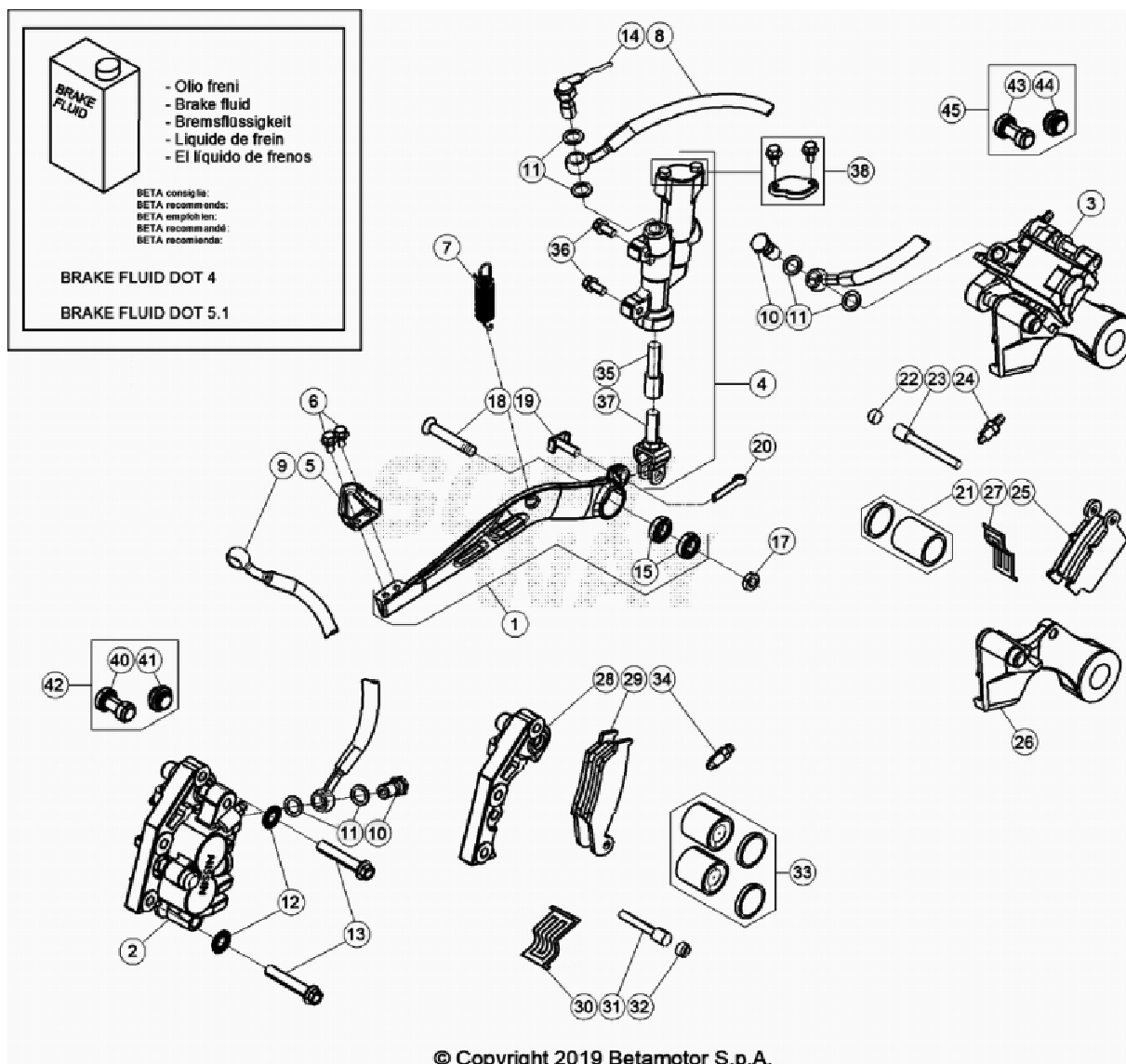


© Copyright 2018 Betamotor S.p.A.

Ref.	Part Number	Description	Parts
1	037.35.000.00.59	HANDLEBAR BLACK NEW	1
2	036.35.005.00.00	GRIPS (PAIR)	0
3	037.35.001.80.00	THROTTLE CONTROL WITH GRIPS RR 4T NEW	0
4	037.35.004.82.00	THROTTLE CABLE	1
5	2.102.057.059	FRONT BRAKE LEVER	1
6	020.35.120.82.00	CLUTCH LEVER, RR 4T	1
7	1.208.253.000	UPPER HANDLEBAR BRACKET, FORK15.08050	1
8	1.208.263.000	LOWER HANDLEBAR BRACKET, FORK15.08050	1
9	016.35.010.00.00	DEVICE, RR 4T	1
10	026.40.047.00.00	DEVICE	1
11	3.164.070.000	SCREW 8.30	4
12	3.165.626.000	SCREW TCCE M10.25 SPECIAL HEAD	2
13	2.127.104.000	FRONT BRAKE LEVER ONLY (2102057)	1

14	1.514.264.000	WHITE CLAMP	1
15	3.196.832.000	RR4Y BRAKE LEVER SPECIAL SCREW	1
16	1.330.911.000	SPECIAL NUT BRAKE LEVER RR4T	1
17	1.633.841.000	GROMMET	1
18	3.188.604.000	BRAKE LEVER ADJUSTING SCREW	1
19	2.238.704.000	SPRING FOR BRAKE LEVER ADJUSTMENT	1
20	2.008.258.000	BRAKE PUMP PISTON ASSY	1
21	3.123.410.052	SCREW	2
22	031.36.003.82.00	REAR PLIER KIT	1
23	1.650.510.000	GASKET 10.15.1 COPPER	7
24	037.36.002.00.00	BRAKE HOSE NEW	1
25	1.889.621.000	STOP SWITCH, M10 X 1,25	1
26	1.165.040.000	SPECIAL BOLT	1
27	037.35.003.00.00	CLUTCH HOSE RR 4T NEW	1
28	020.35.032.00.00	JOINT.P.	1
29	020.35.025.00.00	CLAMP, CLUTCH CONTROL LEVER	1
30	020.35.023.00.00	RESERVOIR CAP, CLUTCH CONTROLLEVER	1
31	020.35.028.00.00	ANTI-BUBBLE, CLUTCH CONTROL LEVER	1
32	020.35.029.00.00	PUSH-ROD, CLUTCH CONTROL LEVER	1
33	020.35.024.00.00	LEVER PIN, CLUTCH CONTROL LEVER	1
34	020.35.030.00.00	SPRING GUIDE, CLUTCH CONTROL LEVER	1
35	020.35.027.00.00	DUST COVER, CLUTCH CONTROL LEVER	1
36	020.35.022.00.00	LEVER, CLUTCH CONTROL LEVER	1
37	020.35.026.00.00	PISTON SET, CLUTCH CONTROL LEVER	1
38	1.165.053.000	RR4T BRAKE TUBE M10X25 BOLT	1
39	031.35.013.00.00	GUARD	1
40	037.43.016.00.59	HANDLEBAR PROTECTION BLACK RR NEW	1
42	008.35.003.00.00	COVER	1
44	1.230.100.000	HOLDER WITH MIRROR CONNECTION	1

45	2.892.927.000	RH MIRROR	1
46	031.35.008.00.00	MIRROR	1
47	031.35.014.00.00	HOSE	1

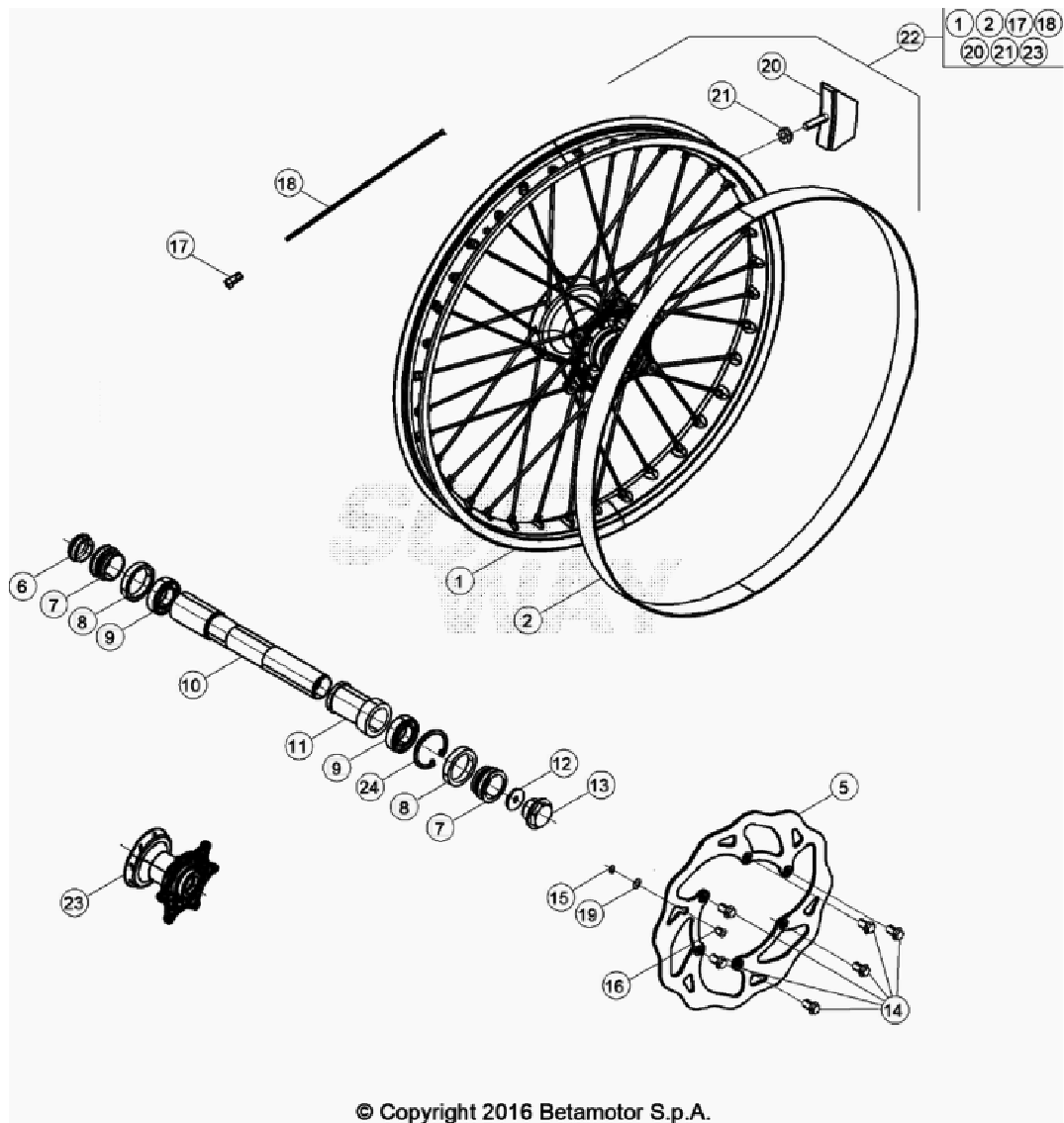


© Copyright 2019 Betamotor S.p.A.

Ref.	Part Number	Description	Parts
1	037.36.004.80.00	FOOT BRAKE LEVER NEW	1
2	2.503.056.000	FRONT DISC BRAKE CALIPER, RR 4T	1
3	2.503.066.000	REAR DISC BRAKE CALIPER, RR 4T	1
4	2.591.178.000	PUMP, REAR BRAKE	1
5	2.290.053.000	FOOTREST HUB, RR 4T	1
6	1.146.251.000	BOLT 5,12	2
7	037.36.003.00.00	SPRING NEW	1
8	2.909.428.000	REAR BRAKE HOSE, RR 4T '07	1
9	037.36.002.00.00	BRAKE HOSE NEW	1

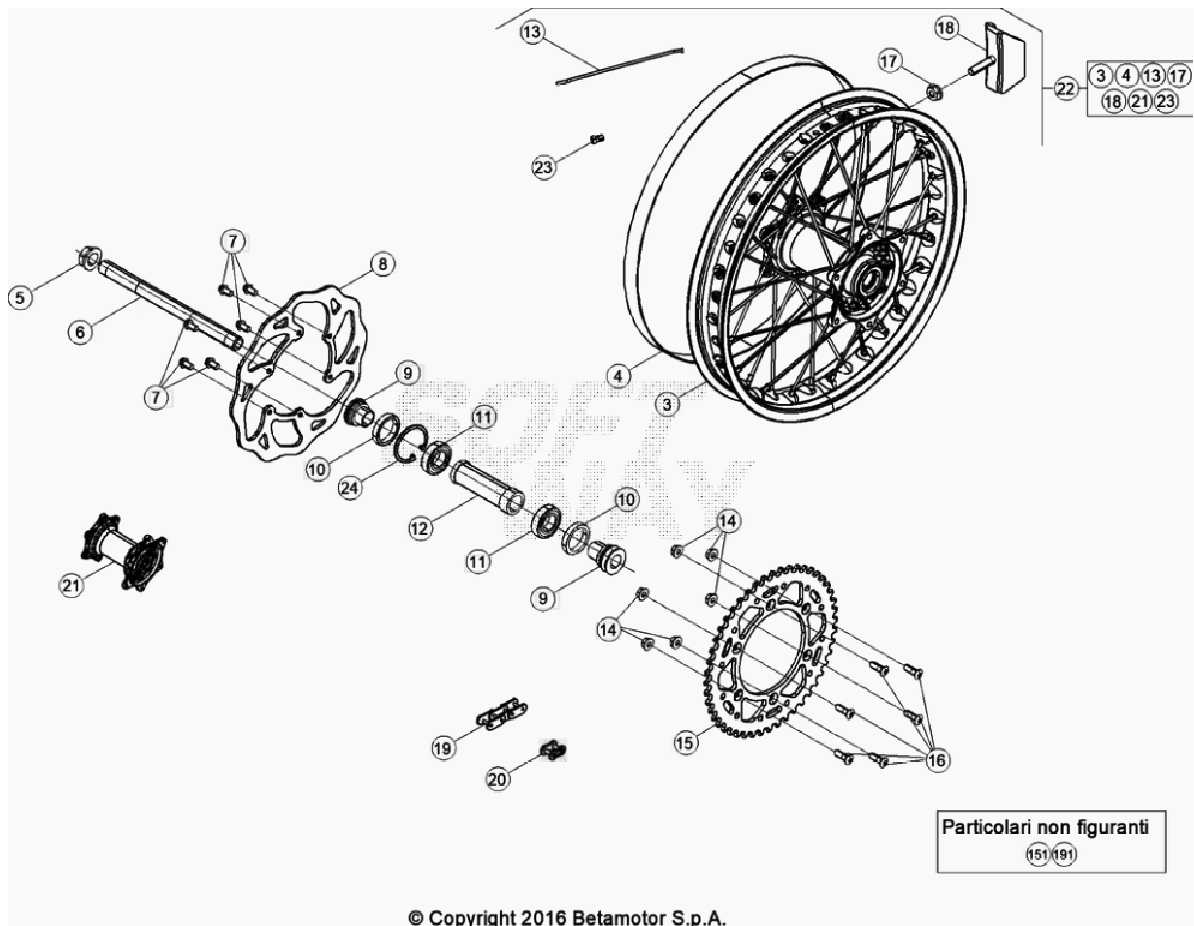
10	1.165.053.000	RR4T BRAKE TUBE M10X25 BOLT	2
11	1.650.510.000	GASKET 10.15.1 COPPER	6
12	2.524.442.000	FAIR LEAD, 6/8	1
13	1.155.510.000	BOLT 8.40	2
14	1.889.621.000	STOP SWITCH, M10 X 1,25	1
15	C06.01.047.00.00	BEARING 10X26X8 - 2RSH NEW	2
17	1.321.060.000	NUT, M10X1,25 H.8.5 14MM SELF-LOCKING	1
18	037.36.001.00.00	SPECIAL BOLT M10x1,25x35 NEW	1
19	2.541.830.000	PIN	1
20	1.281.995.000	CLIP 2.15 INOX	1
21	2.002.717.000	PISTON & OIL SEAL KIT FOR PLIERS 2503066	1
22	3.196.821.000	PIN PLUG, FOR 2503056/2503066	1
23	2.541.860.000	PIN HANGER, FOR 25.03066.000	1
24	2.891.002.000	BREATHER PIPE	1
25	2.525.362.000	BRAKE PADS	1
26	020.36.011.00.00	REAR BRAKE CALIPER BRACKET ASSY	1
27	2.232.208.000	BRAKE PADS SPRING FOR PLIERS	1
28	020.36.012.00.00	FRONT BRAKE CALIPER BRACKET ASSY	1
29	2.525.365.000	BRAKE PADS	1
30	2.232.207.000	BRAKE PADS SPRING FOR PLIERS	1
31	2.541.859.000	PIN HANGER, FOR 25.03056.000	1
32	3.196.821.000	PIN PLUG, FOR 2503056/2503066	1
33	2.002.716.000	PISTON & OIL SEAL KIT FOR PLIERS 2503056	1
34	2.891.001.000	BREATHER PIPE	1
35	2.008.276.000	KIT PISTON, BRAKE PUMP 25.91178	1
36	3.130.750.000	SCREW 6.16	2
37	2.008.277.000	KIT LEVER, BRAKE PUMP 25.91178	1
38	2.008.275.000	KIT, BRAKE PUMP TANK 25.91178	1
40	036.36.002.00.00	PROTECTOR	1
41	036.36.003.00.00	PROTECTOR	1

42	036.36.006.82.00	FRONT PROTECTOR	1
43	036.36.004.00.00	PROTECTOR	1
44	036.36.005.00.00	PROTECTOR	1
45	036.36.007.82.00	REAR PROTECTOR	1



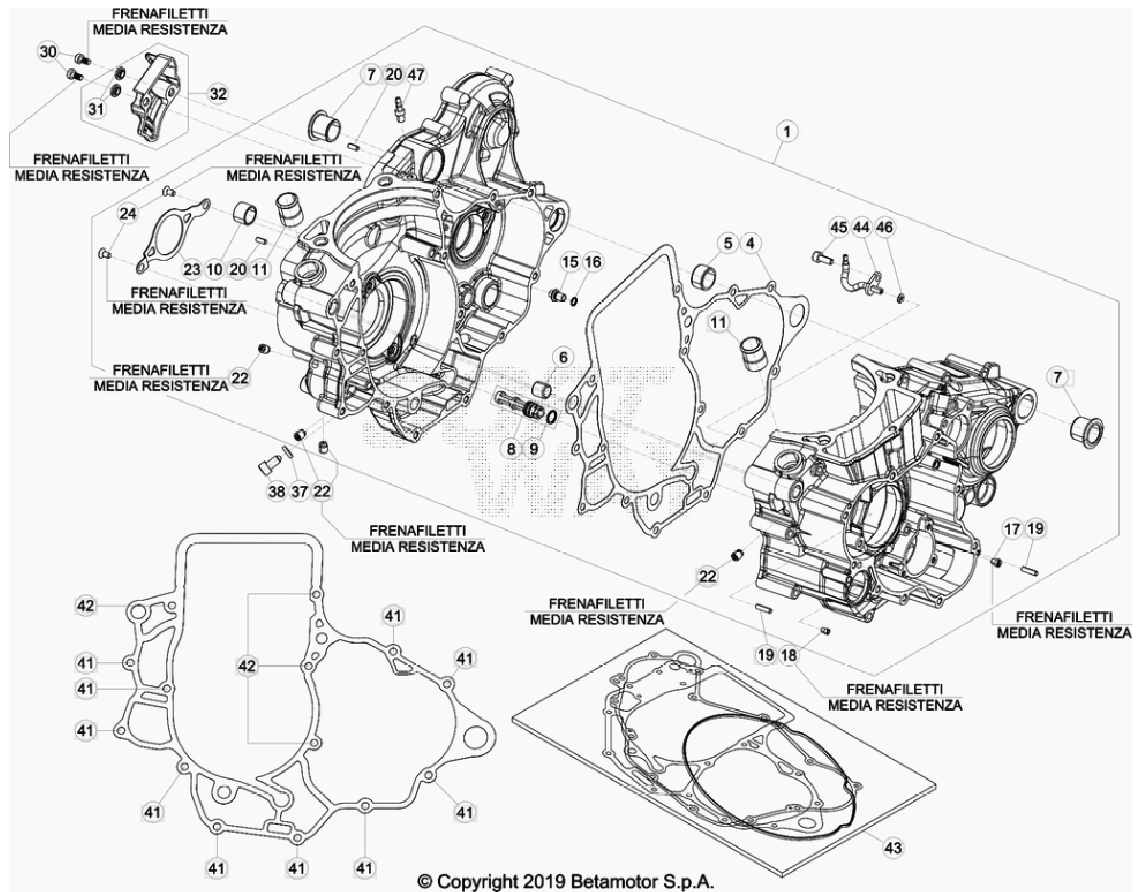
Ref.	Part Number	Description	Parts
1	031.41.046.00.59	RIM	1
2	1.538.200.000	BEAD 21.25	1
5	031.41.030.00.00	FRONT BRAKE DISK, RR 4T	1
6	020.41.007.00.00	PLUG, FRONT WHEEL SPINDLE RR 4T MY'11	1
7	031.41.004.00.00	HUB SPACER, RR 4T	2
8	1.066.000.000	SEAL 35.47.7	2
9	020.41.003.00.00	SEAL 30.47.9	2
10	020.41.005.00.00	FRONT WHEEL SPINDLE, RR 4T MY'11	1
11	031.41.015.00.00	FRONT HUB INNER SPACER, RR 4T	1
12	020.41.110.00.00	PLUG	1
13	020.41.006.00.00	PLUG, FRONT WHEEL SPINDLE RR 4T MY'11	1

14	031.41.016.00.00	DISK SPEC. SCREW M6X14	6
15	2.822.660.000	SEEGER 9E	1
16	021.41.005.00.00	MAGNET	1
17	031.41.050.00.00	NIPPLE	36
18	031.41.049.00.52	SPOKE	36
19	2.758.080.000	WASHER 9 . 13 . 0,4	1
20	036.41.010.00.00	TIRE FASTENER	1
21	1.317.120.000	NUT M8	1
22	026.41.001.00.59	FRONT WHEEL	1
23	031.41.014.80.00	FRONT HUB, RR 4T	1
24	C01.26.001.00.00	CHECK RING 47X1,75	1



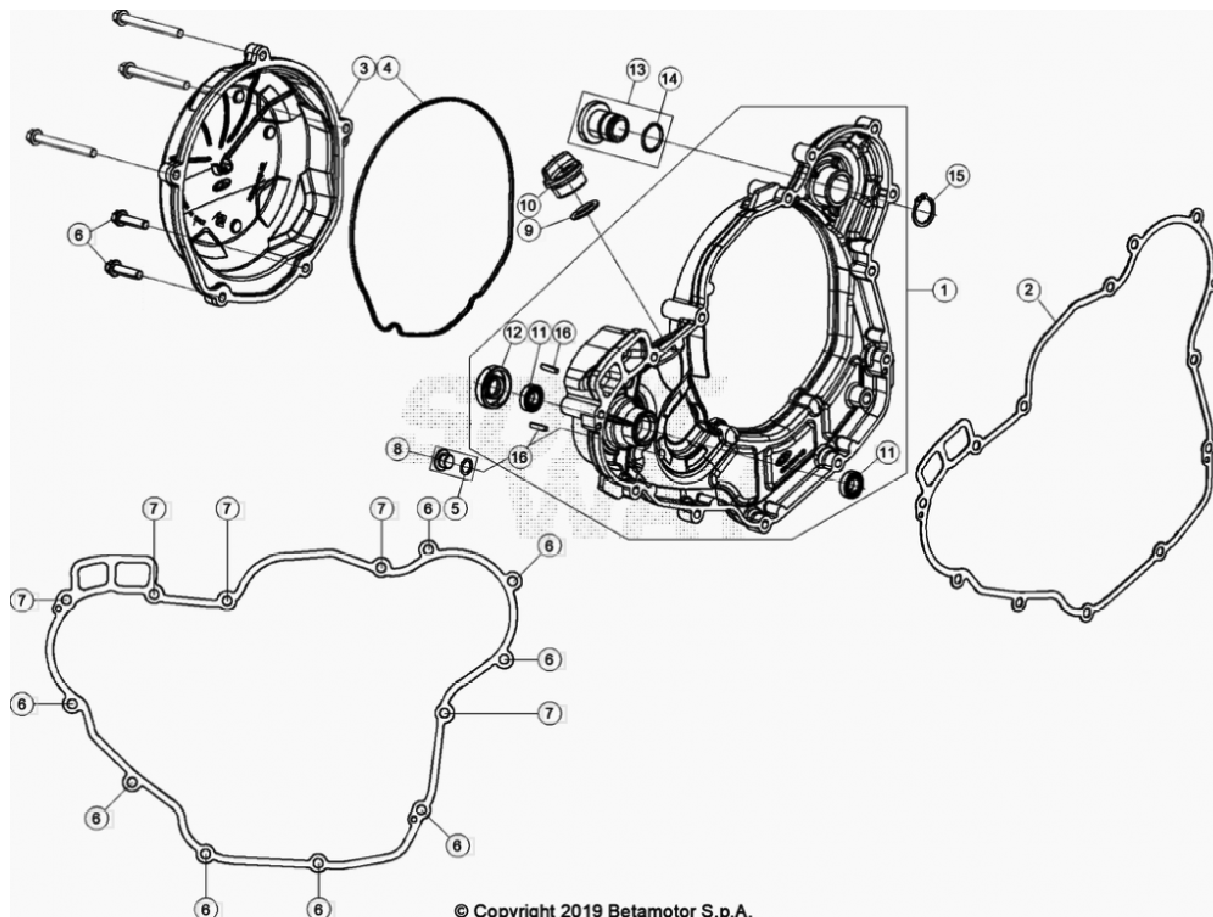
Ref.	Part Number	Description	Parts
3	031.42.034.00.59	RIM	1
4	1.536.000.000	BEAD 17/18.25	1
5	1.327.120.000	SPECIAL NUT	1
6	2.555.812.000	REAR WHEEL SPINDLE, RR 4T	1
7	031.41.016.00.00	DISK SPEC. SCREW M6X14	6
8	031.42.030.00.00	BRAKE DISK, RR 4T	1
9	031.42.002.00.00	LH HUB SPACER, RR 4T	2
10	1.066.000.000	SEAL 35.47.7	2
11	020.42.004.00.00	SEAL 25.47.12	2
12	031.42.005.00.00	INNER SPACER	1
13	031.42.037.00.52	SPOKE	36
14	1.317.123.000	NUT M8, (DIN 6927)	6
15	031.42.039.00.00	REAR SPROCKET, Z.50	1
16	3.196.827.000	SCREW, SPEC. TGS TORXS M8X26	6

17	1.317.120.000	NUT M8	1
18	036.42.009.00.00	TIRE FASTENER	1
19	037.42.001.00.00	CHAIN 5/8 1/4 P.116 NEW	1
20	031.42.008.00.00	CHAIN-5/8.1/4 LINK	1
21	031.42.014.80.00	REAR HUB, RR4T	1
22	026.42.008.00.59	REAR WHEEL	1
23	031.42.051.00.00	NIPPLE	36
24	C01.26.001.00.00	CHECK RING 47X1,75	1
151	031.42.028.00.00	REAR SPROCKET, Z.45	1
191	037.42.002.00.00	CHAIN 5/8 1/4 P.114 RR 4T EU NEW	1



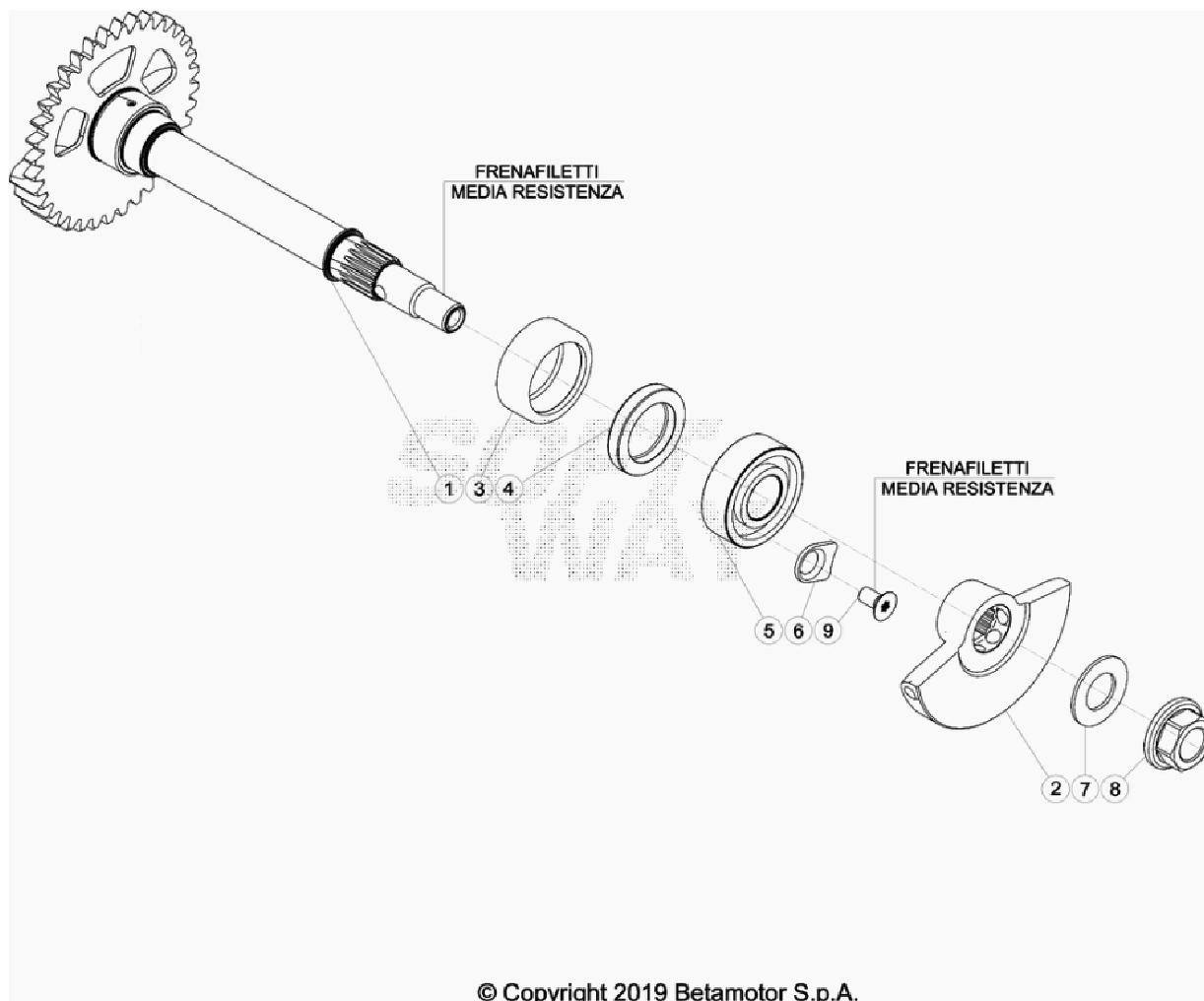
Ref.	Part Number	Description	Parts
1	037.01.000.80.00	ENGINE CASE RR 4T NEW	1
4	037.01.003.00.00	ENGINE CASE GASKET NEW	1
5	006.01.012.00.00	BUSH (BACK) 17.21.12	1
6	1.641.500.000	DOWEL 10,5.13.13	1
7	006.01.011.00.00	DOWEL 17.21.19	2
8	006.08.053.80.00	OILSIEVE (CRANKCASE)	1
9	1.050.010.000	OIL SEAL 8.1,5	1
10	037.01.010.00.00	BUSH LR15X18X12,5 NEW	1
11	006.11.108.00.00	CONNECTION NOZZLE M20.1,5	2
15	029.01.024.80.00	OIL JET ASSY	1
16	1.066.139.000	OIL SEAL 6 . 1,5 -VITON-	1
17	1.642.903.000	JET 100, BREATHING, LUBRICATION CRANK	1
18	1.642.904.000	JET 100, BREATHING, LUBRICATION CRANK	1

19	1.293.384.000	NEEDLE ROLL 4.15,8 G2 NBR	2
20	3.625.021.000	NEEDLE ROLLER 4,0 X 9,8	2
22	006.01.021.00.00	SEALING OIL PLUG 73X9	4
23	006.01.018.00.09	RETAINIG PLATE (SHAFT SEAL RIGHT)	1
24	3.130.085.000	TORX SCREW M5X10 8.8	2
30	C24.24.047.00.00	SCREW 5.12	2
31	006.08.081.00.00	DISTANCE BUSH	2
32	037.08.003.80.00	TANK PANEL NEW	1
37	029.01.026.00.00	CU-COPPER WASHER 8.14.5	1
38	029.01.025.00.00	LOCATING SCREW	1
41	1.105.485.000	BOLT 6.60	10
42	C24.31.041.00.00	BOLT 6.70	4
43	037.01.018.82.00	ENGINE CASE GASKET - KIT RR 4T NEW	1
44	029.01.021.00.00	COOLING OIL JET	1
45	3.126.790.000	SCREW 4.10	1
46	C02.06.054.00.00	O-RING 3.5 , 1.5	1
47	2.900.280.000	COUPLING	1

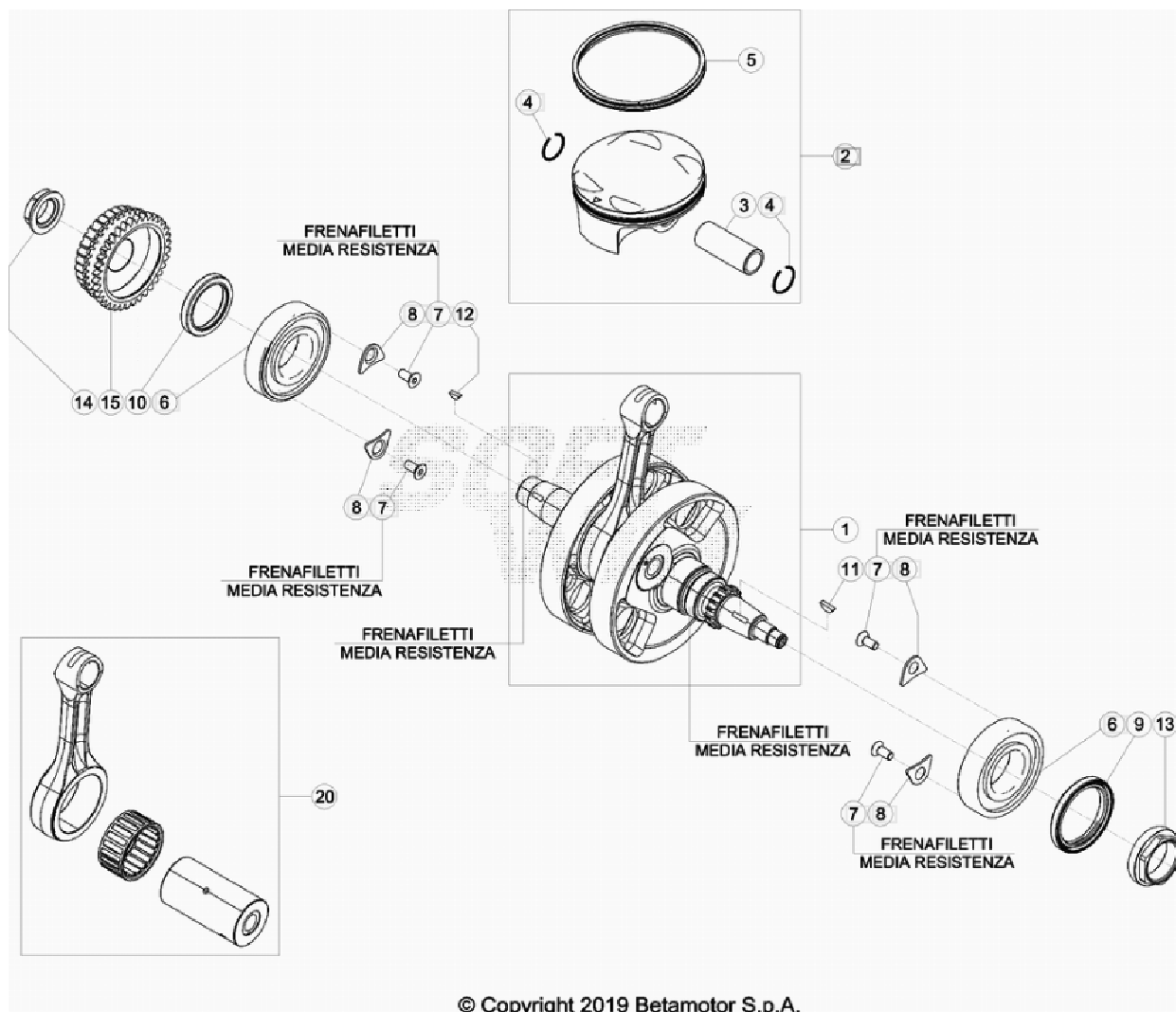


Ref.	Part Number	Description	Parts
1	037.01.004.80.00	CLUTCH COVER RR 4T NEW	1
2	037.01.005.00.00	COVER GASKET NEW	1
3	037.01.006.80.52	CLUTCH COVER NEW	1
4	037.01.007.00.00	COVER GASKET NEW	1
5	1.050.010.000	OIL SEAL 8.1,5	1
6	1.150.010.000	BOLT 6.25	10
7	1.105.485.000	BOLT 6.60	5
8	006.11.045.80.00	SEALING PLUG (SHAFT FINGER)	1
9	1.066.340.000	OIL SEAL 16.3	1
10	2.909.601.000	OIL FILLER PLUG	1
11	1.293.400.000	BALL BEARING 10.19.5	2
12	1.048.030.000	OIL SEAL 12.30.7	1

13	037.01.017.80.59	CAP	1
		NEW	
14	1.066.321.000	OIL SEAL	1
15	3.300.070.000	SEEGER D.19	1
16	1.293.384.000	NEEDLE ROLL 4.15,8 G2 NBR	2



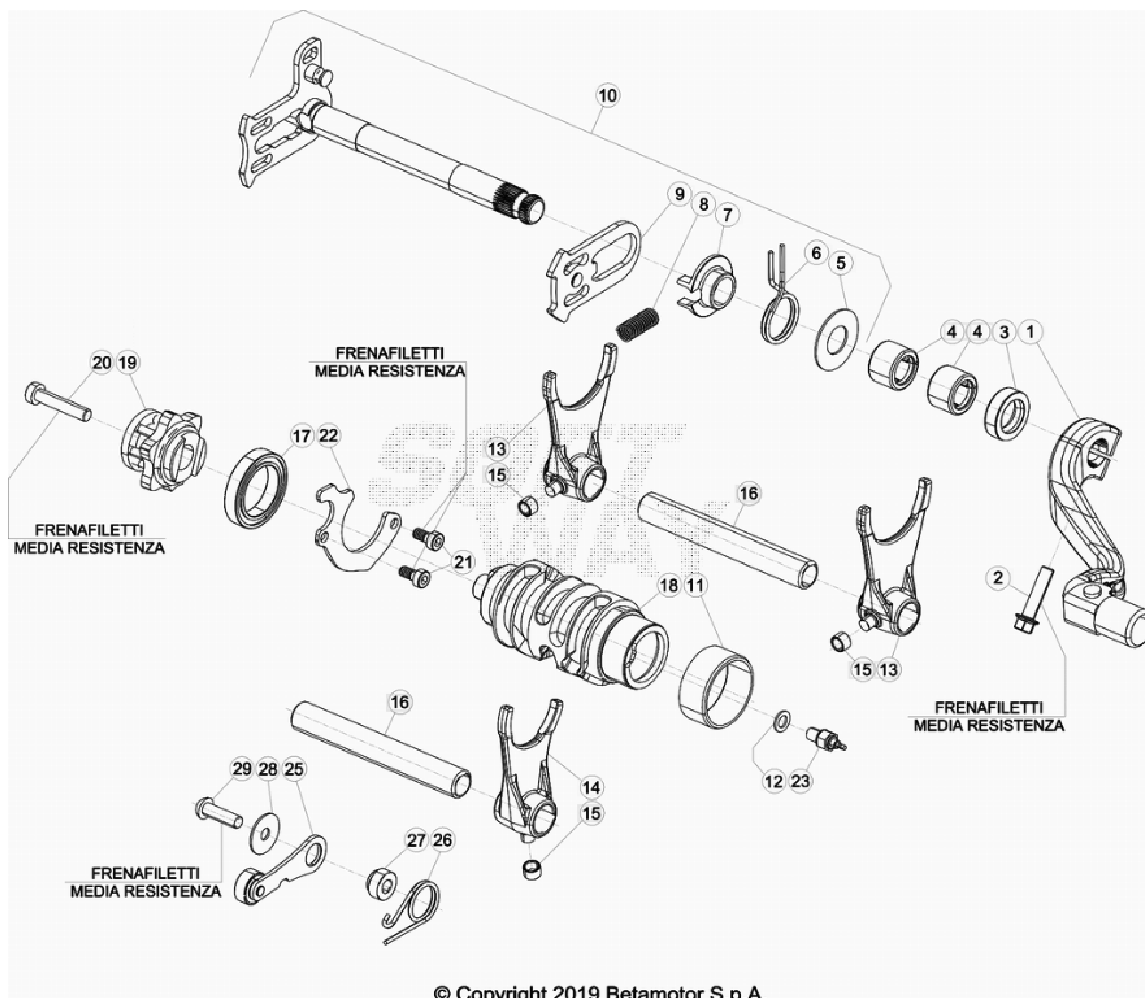
Ref.	Part Number	Description	Parts
1	029.02.020.00.00	BALANCER SHAFT	1
2	029.02.021.00.00	BALANCER SHAFT WEIGHT	1
3	C06.14.019.00.00	NEEDLE BEARING, 25.33.15 (HMK2515C)	1
4	1.064.490.000	OIL SEAL 20.30.5/6 TCYJ TF	1
5	C06.01.034.00.00	BALL BEARING 15.32.9 NTN 6002LLUC3/5K	1
6	006.01.016.00.00	RETAINIG PLATE MAINBEARING	1
7	2.774.810.000	SPRING WASHER DIN137 B12 FST	1
8	1.325.010.000	NUT	1
9	C24.90.002.00.00	TORX SCREW M6X12 - 10.9/12.9	1



© Copyright 2019 Betamotor S.p.A.

Ref.	Part Number	Description	Parts
1	037.02.200.80.00	CRANKSHAFT NEW	1
2	030.02.050.80.01	PISTON CPL. 480CC D=100MM SIZE=1	1
3	029.02.051.00.00	PIN	1
4	029.02.052.00.00	CIRCLIP	2
5	006.02.153.80.00	PISTON RING SET D=100MM	1
6	1.299.700.000	SEAL 35.72.17 C4	2
7	C24.90.002.00.00	TORX SCREW M6X12 - 10.9/12.9	4
8	006.01.016.00.00	RETAINING PLATE MAINBEARING	4
9	1.066.085.000	OIL SEAL 45.58.6 SCJ (KOK)	1
10	1.065.900.000	OIL SEAL 35.47.6 TCJ	1
11	1.246.020.000	KEY 3.5	1
12	1.246.000.000	WOODRUFF KEY 3.3,7.9,7	1

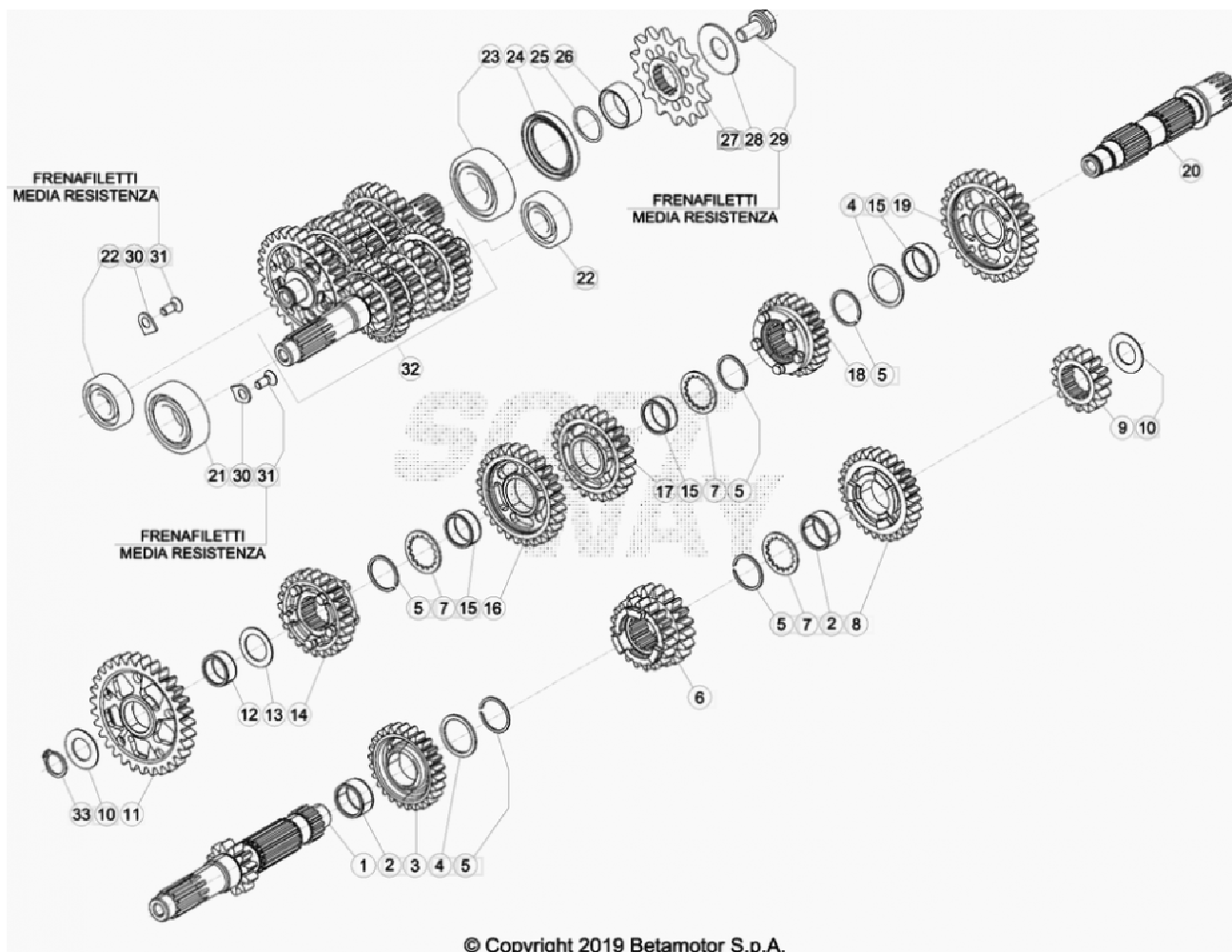
13	022.02.011.00.00	NUT M32X1 (CRANKSHAFT)	1
14	006.03.023.00.00	NUT M20X1,5LH (PRIMARY GEAR)	1
15	006.03.121.80.00	CHAIN SPROCKET	1
20	029.02.008.80.00	CONNECTING ROD ASSY	1



© Copyright 2019 Betamotor S.p.A.

Ref.	Part Number	Description	Parts
1	037.05.007.80.00	GEAR SHIFT LEVER RR 4T NEW	1
2	1.150.010.000	BOLT 6.25	1
3	1.052.012.000	OIL SEAL 14.24.6 B1SL	1
4	1.122.320.000	NEEDLE BEARING HK1414RS	2
5	2.763.020.000	WASHER 14.30.1	1
6	006.05.017.00.00	GEAR BOX RETURN SPRING	1
7	1.692.911.000	SPRING GUIDE	1
8	006.05.016.00.00	SPRING BOLT 0,8MM	1
9	006.05.014.80.00	MOVEABLE PLATE ASSY (WITH BOLT)	1
10	037.05.003.80.00	SHIFTING SHAFT NEW	1
11	037.01.013.00.00	BUSHING 32X36X15 NEW	1

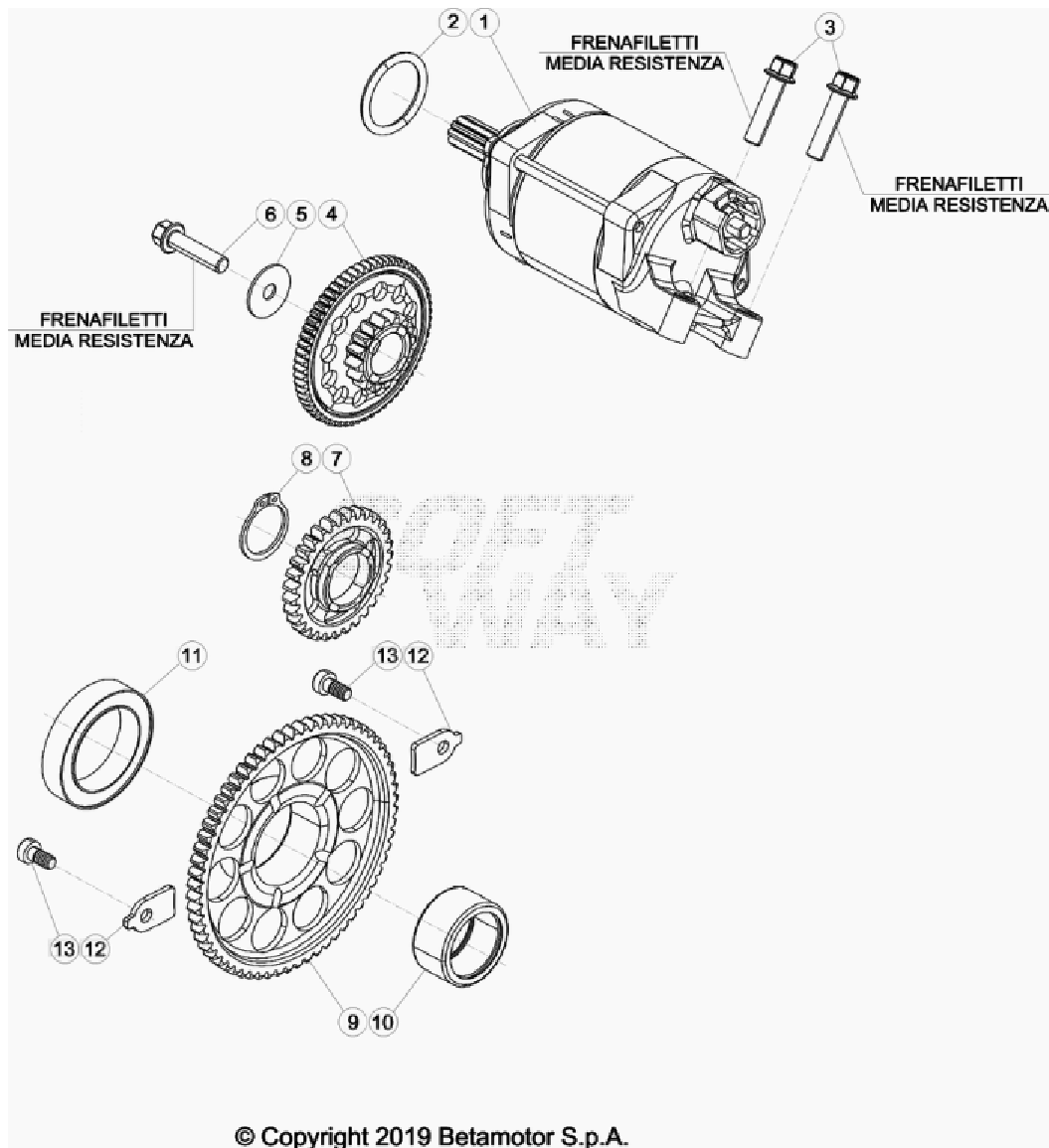
12	1.650.510.000	GASKET 10.15.1 COPPER	1
13	006.05.020.00.00	FORK 1/4 GEAR	2
14	037.05.005.00.00	GEAR SELECTOR FORK NEW	1
15	006.05.027.00.00	BUSHING 6.8.5,2	3
16	026.05.025.00.00	SPINDLE (FORKS)	2
17	1.293.405.000	SEAL 61805-2RS1	1
18	037.05.001.00.00	GEARSHIFT CAM NEW	1
19	029.05.001.80.00	DETENT CAM ALU ASSY	1
20	3.145.115.000	SCREW M6X30 DIN 6912	1
21	C24.24.047.00.00	SCREW 5.12	2
22	037.05.002.00.00	FIXING PLATE NEW	1
23	037.05.006.00.00	NEUTRAL GEAR SENSOR NEW	1
25	029.05.050.80.00	DETENT LEVER ASSY	1
26	2.239.591.000	LEVER SPRING	1
27	029.05.054.00.00	SPACER (DETENT LEVER)	1
28	2.742.000.100	WASHER 6.20.1,0	1
29	3.130.780.000	SCREW 6.20	1



© Copyright 2019 Betamotor S.p.A.

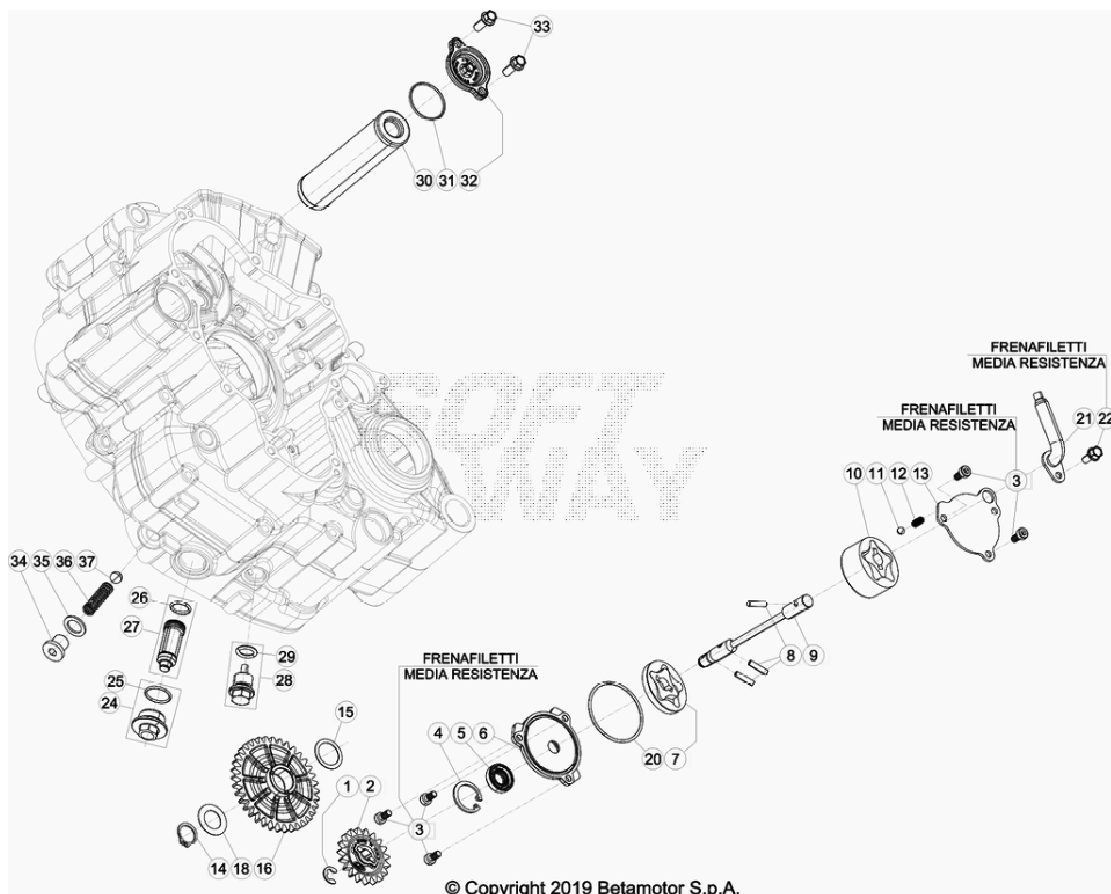
Ref.	Part Number	Description	Parts
1	006.04.011.00.00	MAINSHAFT NEW	1
2	1.122.855.000	NEEDLE BEARING K 22.26.13 TN (SPLITTED)	2
3	006.04.015.00.00	5°GEAR MAINSHAFT	1
4	006.04.031.00.00	THRUST WASHER 26.32.1,5	2
5	2.825.520.000	SEEGER 25 SW	5
6	006.04.013.00.00	3/4°GEAR MAINSHAFT	1
7	006.04.030.00.00	THRUST WASHER 23.32.1,5	3
8	006.04.016.00.00	6°GEAR MAINSHAFT	1
9	006.04.012.00.00	2°GEAR MAINSHAFT	1
10	006.04.032.00.00	THRUST WASHER 17.30.1	2
11	006.04.021.00.00	1°GEAR COUNTERSHAFT	1
12	1.122.835.000	NEEDLE BEARING K 20.24.10	1

13	006.04.033.00.00	THRUST WASHER 20.30.1	1
14	006.04.025.00.00	5°GEAR COUNTERSHAFT	1
15	1.122.845.000	NEEDLE BEARING K 20.24.10 (SPLITTED)	3
16	006.04.023.00.00	3°GEAR COUNTERSHAFT	1
17	006.04.024.00.00	4°GEAR COUNTERSHAFT	1
18	006.04.026.00.00	6°GEAR COUNTERSHAFT	1
19	006.04.022.00.00	2°GEAR COUNTERSHAFT	1
20	037.04.001.00.00	GEARBOX COUNTERSHAFT NEW	1
21	1.295.610.000	SEAL (6205) C3	1
22	1.295.605.000	SEAL (6203) JR2 C3	2
23	1.299.710.000	SEAL NJ205	1
24	1.066.020.000	OIL SEAL 32.45.7 BSL	1
25	1.066.620.000	OIL SEAL	1
26	006.04.040.00.00	DISTANCE BUSH	1
27	006.04.050.00.00	PINION	1
28	006.04.041.00.00	SPROCKET FIXING DISK SPRING 17,2.40.1,5	1
29	006.04.042.00.00	SCREW M10X18	1
30	006.01.016.00.00	RETAINIG PLATE MAINBEARING	2
31	C24.90.002.00.00	TORX SCREW M6X12 - 10.9/12.9	2
32	037.04.000.80.00	GEARBOX NEW	1
33	2.824.955.000	SEEGER AS 17.1,5 DIN 471	1



Ref.	Part Number	Description	Parts
1	037.07.000.80.00	STARTING MOTOR NEW	1
2	3.625.056.000	O RING 25,00X3,00 NBR70	1
3	1.150.010.000	BOLT 6.25	2
4	029.07.011.80.00	TORQUE LIMITER NEW	1
5	2.742.000.100	WASHER 6.20.1,0	1
6	1.150.010.000	BOLT 6.25	1
7	037.07.001.00.00	GEAR NEW	1
8	2.825.400.000	SEEGER 20 E	1
9	029.07.030.00.00	STARTER CLUTCH GEAR	1

10	006.07.031.00.00	NEEDLE BEARING HK2516	1
11	006.07.040.00.00	CAM CLUTCH (BORG WARNER FWD331608-BLS)	1
12	029.07.025.00.00	GUIDING PLATE	2
13	C24.24.047.00.00	SCREW 5.12	2

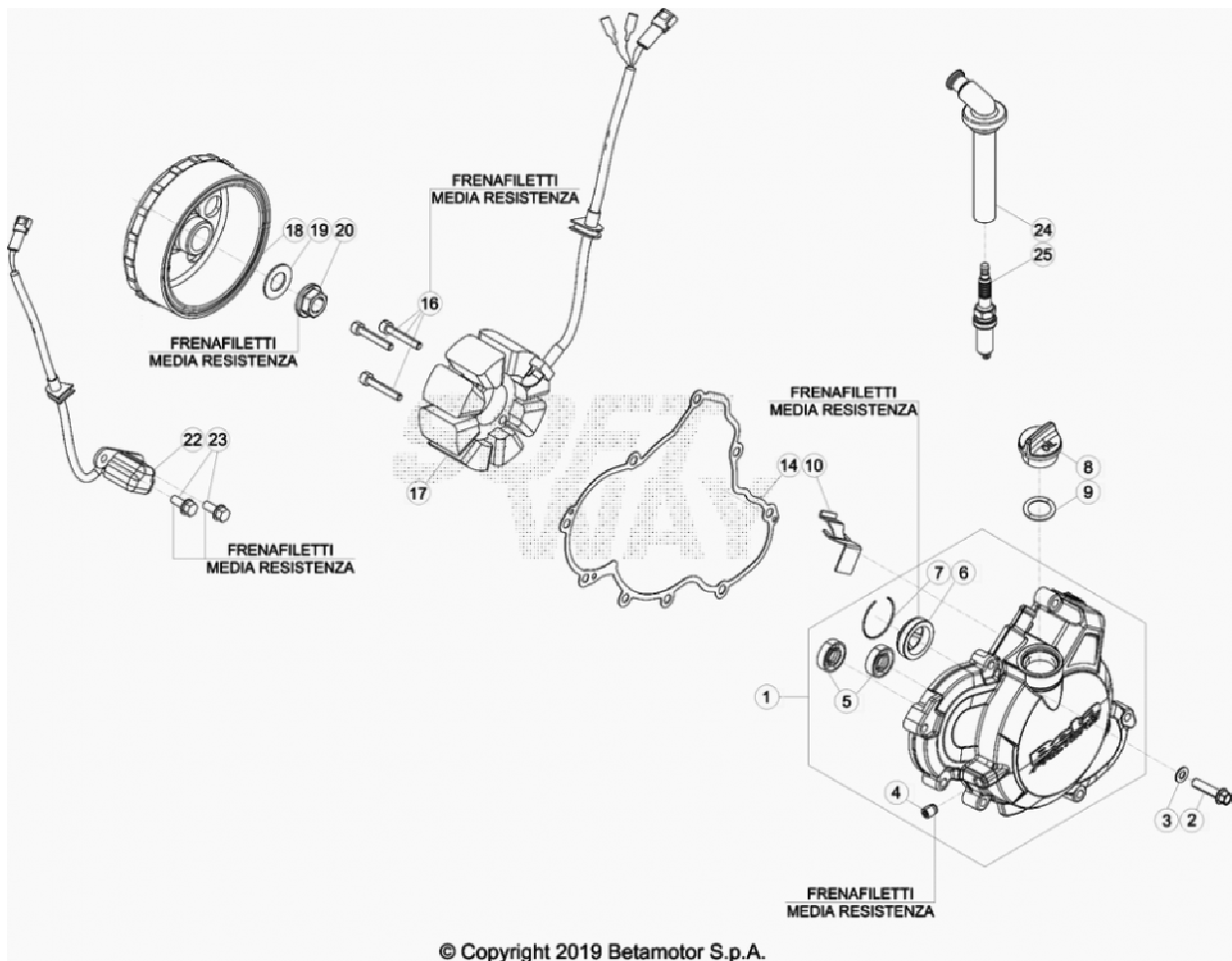


Ref.	Part Number	Description	Parts
1	2.822.645.000	CICLIP RA 7 DIN 6799	1
2	037.08.008.00.00	OIL PUMP GEAR Z19 NEW	1
3	C24.24.047.00.00	SCREW 5.12	5
4	2.825.502.000	SEEGER JS24 DIN 472	1
5	1.044.695.000	OIL SEAL 10.22.6 BABSL 75FKW595	1
6	029.08.011.00.00	OILPUMP COVER (PRESSURE PUMP)	1
7	006.08.010.80.00	OIL PUMP 40,56 B5	1
8	1.293.384.000	NEEDLE ROLL 4.15,8 G2 NBR	3
9	037.08.007.00.00	OIL PUMP SHAFT NEW	1
10	006.08.000.80.00	OIL PUMP 40,56 B19	1
11	2.890.220.000	BALL D=5,5 DIN 5401	1
12	006.08.041.00.00	SPRING (VENTILATION)	1
13	037.08.004.00.00	OIL PUMP COVER NEW	1

14	2.823.600.000	SEEGER 15E	1
15	037.08.010.00.00	WASHER 18X23X0,5 NEW	1
16	037.08.009.00.00	OIL PUMP GEAR Z36 NEW	1
18	2.764.500.050	15.25.0,50 WASHER	1
20	1.066.934.000	O-RING 45 . 2 NBR	1
21	037.08.005.85.00	OIL HOSE NEW	1
22	1.146.251.000	BOLT 5,12	1
24	029.08.050.80.00	OIL DRAIN PLUG	1
25	1.066.321.000	OIL SEAL	1
26	1.066.168.000	O-RING, 12.2	1
27	029.08.051.80.00	OIL FILTER	1
28	006.08.152.80.00	SCREW	1
29	1.066.164.000	O-RING, 11.2 NBR 70SH	1
30	006.08.070.00.00	OIL FILTER	1
31	1.066.685.000	O-RING 28 . 1,5 VITON	1
32	029.08.060.00.00	OIL FILTER CAP	1
33	1.148.025.000	BOLT 6.16	2
34	3.625.062.000	PLUG - M12 X 1,5	1
35	2.760.265.000	WASHER 12.181,5	1
36	029.08.040.00.00	SPRING (PRESSURE VALVE)	1
37	2.890.225.000	BALL D=9 DIN 5401	1

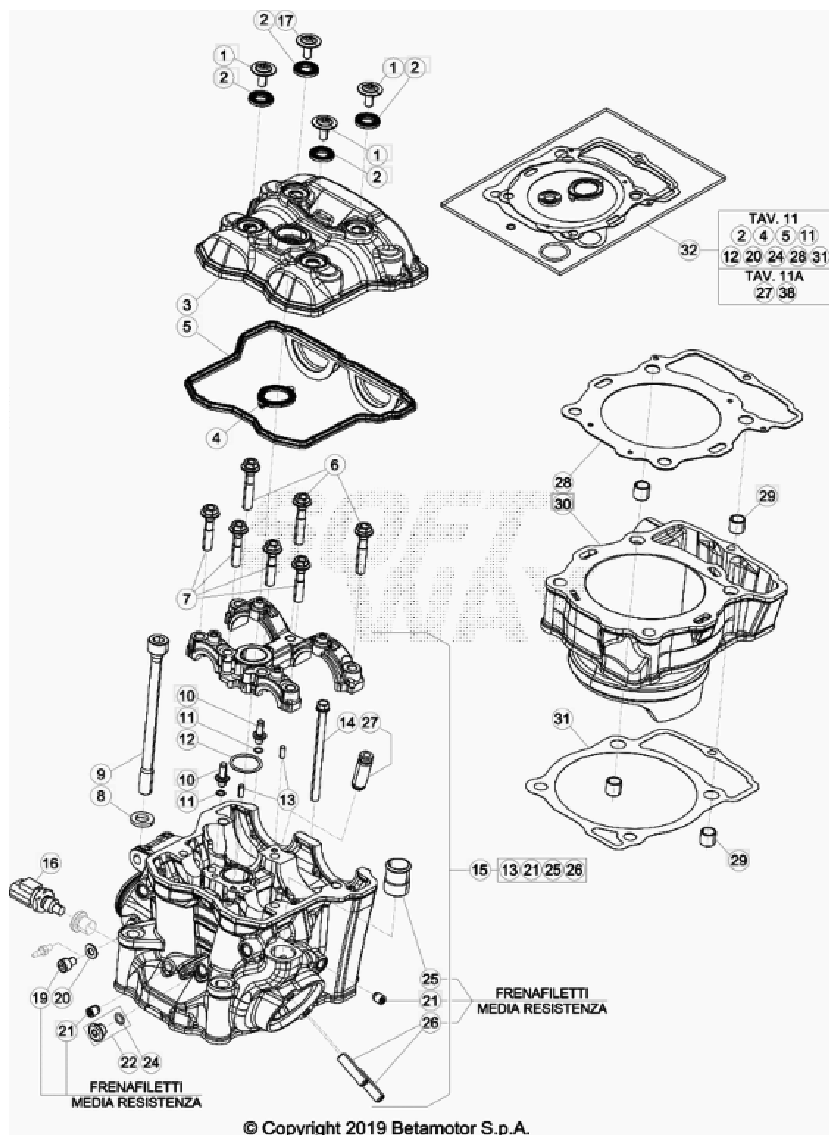


Ref.	Part Number	Description	Parts
1	037.09.001.00.00	WATER PUMP SHAFT NEW	1
2	1.066.136.000	O-RING 5,5 . 1 VITON	1
4	1.048.030.000	OIL SEAL 12.30.7	1
5	006.09.011.00.00	BUSH WATER PUMP IR 8.12.10	1
6	037.09.002.80.00	WATER PUMP IMPELLER RR 4T NEW	1
7	006.09.012.00.00	WASHER WATER PUMP	1
8	1.311.520.000	NUT M6X1 DIN 1587	1
9	037.09.006.87.00	INSERT NEW	1
10	037.09.005.00.00	WATER PUMP COVER NEW	1
11	2.740.490.000	WASHER 6.10.2	1
12	1.150.010.000	BOLT 6.25	1
13	1.105.485.000	BOLT 6.60	2



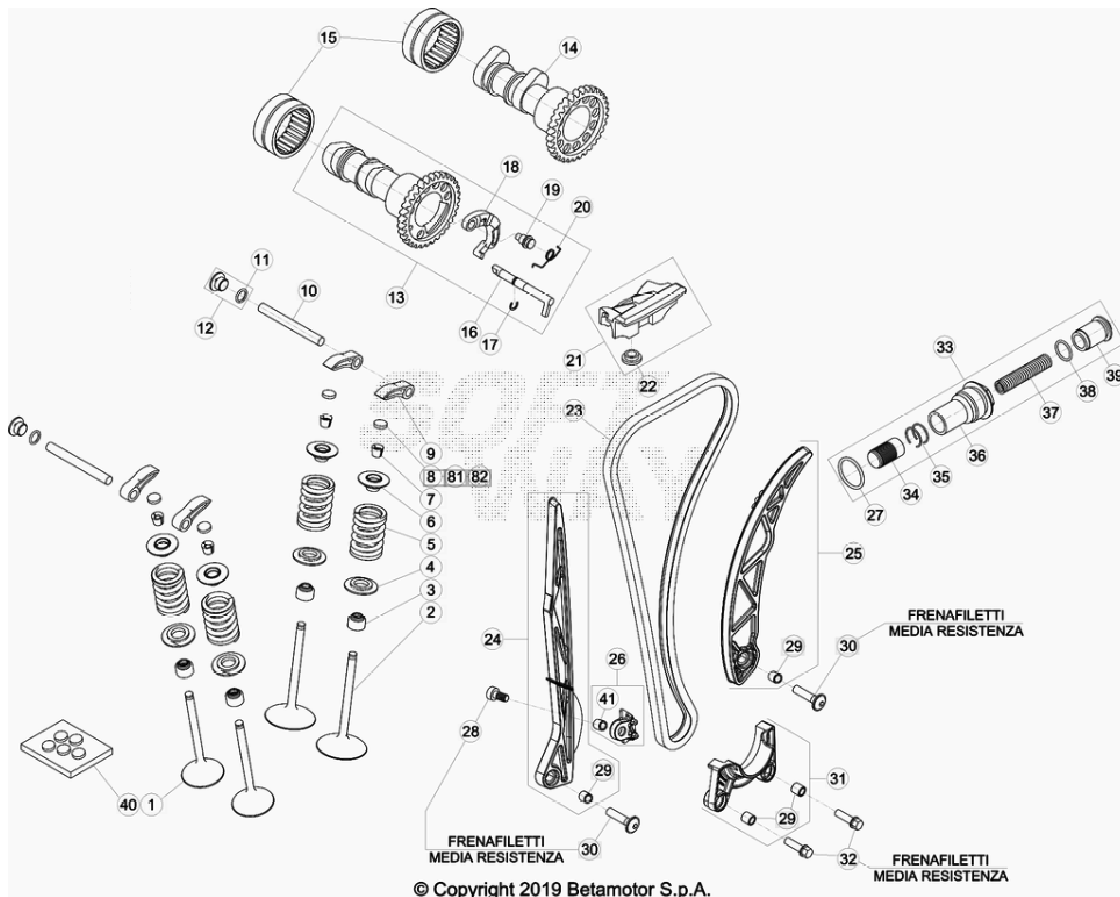
Ref.	Part Number	Description	Parts
1	037.01.008.80.52	FLYWHEEL COVER BLACK RR 4T NEW	1
2	1.150.010.000	BOLT 6.25	9
3	2.758.000.000	WASHER 6.12	1
4	006.01.021.00.00	SEALING OIL PLUG 73X9	1
5	1.044.690.000	OIL SEAL 10.22.6 B	2
6	006.01.056.00.00	OIL CHECK GLASS, 22X30X8,5	1
7	2.825.680.000	SEEGER 30X1 RB (DIN 7993)	1
8	2.909.601.000	OIL FILLER PLUG	1
9	1.066.340.000	OIL SEAL 16.3	1
10	037.01.012.15.00	RETAINING PLATE NEW	1
14	037.01.009.00.00	COVER GASKET NEW	1
16	C24.24.039.00.00	SCREW 5.30	3

17	037.10.002.00.00	GENERATOR NEW	1
18	006.10.110.00.00	ROTOR, FLYWHEEL	1
19	2.774.810.000	SPRING WASHER DIN137 B12 FST	1
20	1.325.010.000	NUT	1
22	037.10.001.00.00	PICK UP NEW	1
23	1.146.251.000	BOLT 5,12	2
24	006.10.055.00.00	SPARK PLUG CONNECTOR RR4T MY'10	1
25	006.10.050.00.00	SPARK PLUG, M12X1,25	1



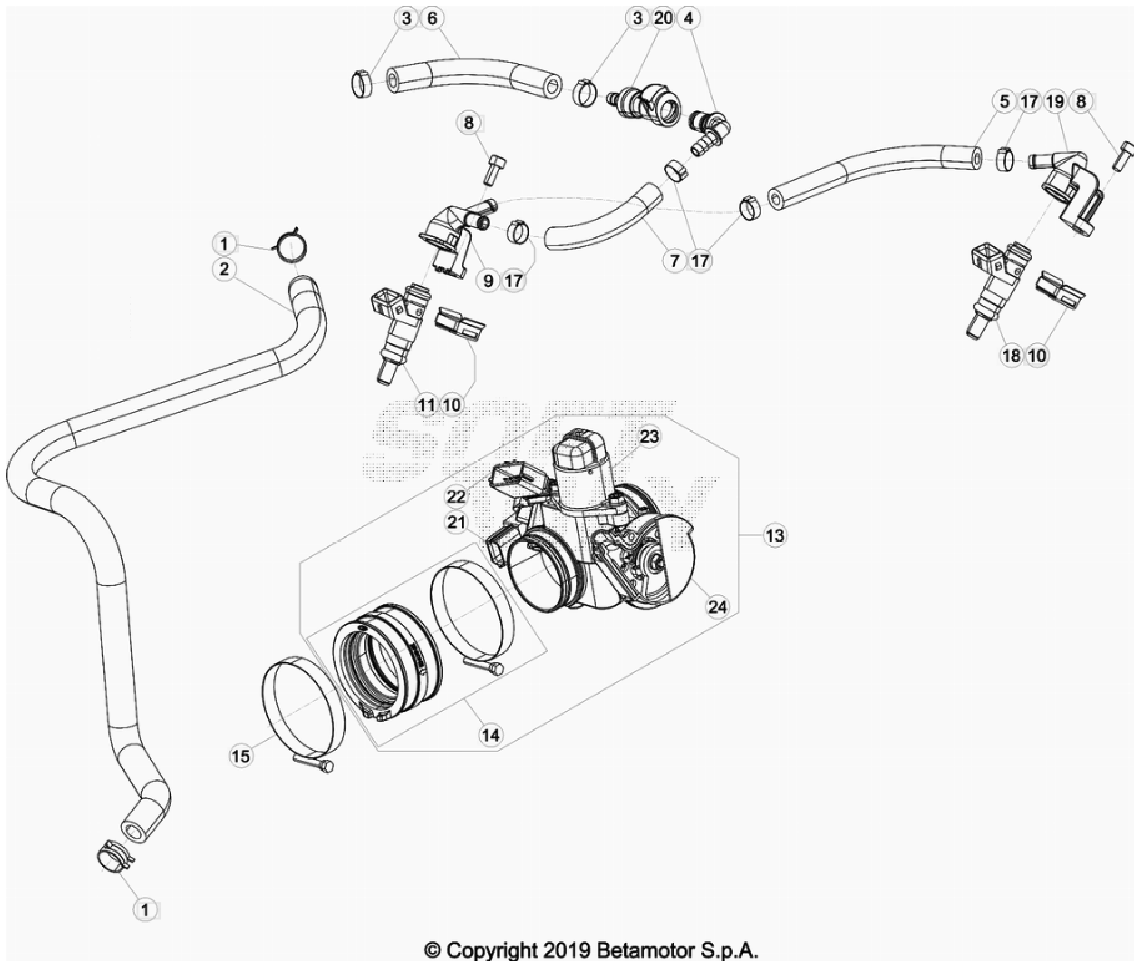
Ref.	Part Number	Description	Parts
1	006.11.025.00.00	SCREW HEAD COVER	3
2	006.11.026.00.00	RUBBER, SCREW CYLINDEHEAD COVER	4
3	006.11.020.00.52	CYLINDERHEAD COVER	1
4	006.11.022.00.00	SEALING CYLINDERHEAD COVER	1
5	029.11.021.00.00	SEALING PLUG	1
6	1.152.427.000	BOLT 7.38, SPECIAL	3
7	1.152.425.000	SPECIAL BOLT 7.33	4
8	006.11.012.00.00	WASHER 10,5.18,5.2,5	4
9	022.11.013.00.00	SCREW M10.1,25 L=127.5	4
10	006.11.009.00.00	OIL JET	2
11	1.066.136.000	O-RING 5,5 . 1 VITON	1

12	1.066.495.000	O-RING 22 . 2	1
13	3.625.021.000	NEEDLE ROLLER 4,0 X 9,8	2
14	1.105.445.000	BOLT 6.80 RS CH8	1
15	037.11.102.80.00	ENGINE HEAD D95 RR 4T NEW	1
16	029.13.004.00.00	TEMPERATURE SENSOR	1
17	006.11.035.00.00	SECURITY SCREW	1
19	C24.24.044.00.00	SCREW 6.8	1
20	2.758.000.000	WASHER 6.12	1
21	006.01.021.00.00	SEALING OIL PLUG 73X9	2
22	006.11.045.80.00	SEALING PLUG (SHAFT FINGER)	1
24	1.050.010.000	OIL SEAL 8.1,5	1
25	006.11.108.00.00	CONNECTION NOZZLE M20.1,5	1
26	006.11.019.00.00	STUD BOLT M8X30 DIN 913 A2 INOX	2
27	006.11.005.00.00	VALVE GUIDE INLET	4
28	037.11.201.00.00	ENGINE HEAD GASKET NEW	1
29	006.02.070.00.00	BUSH 10,5.12.11 (CYLINDER BASE/CYL.HEAD)	4
30	037.11.200.00.02	CYLINDER D100 - 2 RR 4T 480 NEW	1
31	037.11.101.00.00	CYLINDER GASKET NEW	2
32	037.11.009.82.00	GASKET - KIT RR 4T 480 NEW	1



Ref.	Part Number	Description	Parts
1	029.11.033.00.00	VALVE EXHAUST	2
2	029.15.032.00.00	VALVE INLET	2
3	006.11.139.00.00	VALVE STEM SEAL	4
4	027.11.037.00.00	VALVE SPRING LOWER SUPPORT	4
5	027.11.034.00.00	VALVE SPRING	4
6	027.11.036.00.00	VALVE SPRING RETAINER	4
7	006.11.038.00.00	VALVE COLLET	8
8	006.11.040.20.10	SHIM 2,100	1
9	006.11.030.00.00	FINGER FOLLOWER	4
10	006.11.031.00.00	SHAFT (FINGER FOLLOWER)	2
11	1.050.010.000	OIL SEAL 8.1,5	2
12	006.11.045.80.00	SEALING PLUG (SHAFT FINGER)	2
13	029.11.151.80.00	CAMSHAFT EX CPL.	1
14	006.11.150.00.00	CAMSHAFT	1
15	006.11.053.00.00	BEARING NK35/20R	2

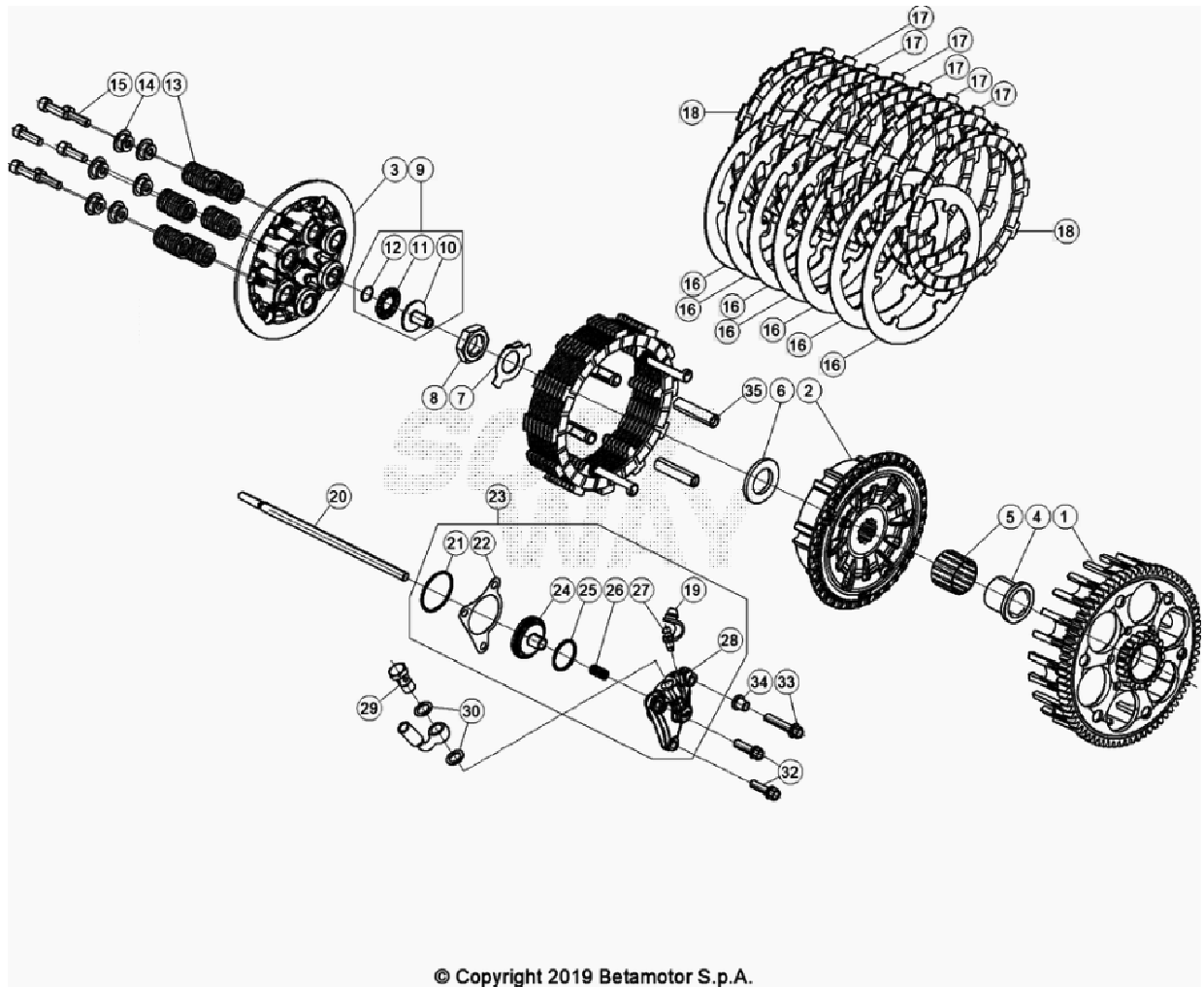
16	006.11.156.00.00	AUTODECO SHAFT	1
17	2.822.635.000	CICLIP H7	1
18	006.11.155.00.00	AUTODECO WEIGHT	1
19	006.11.057.00.00	BEARING BOLT	1
20	029.11.058.00.00	SPRING	1
21	006.11.063.80.00	TIMING CHAIN GUIDE HEAD	1
22	006.11.066.00.00	DUSTANCE BUSH	1
23	022.11.060.00.00	TIMING CHAIN Z=124	1
24	037.11.005.80.00	CHAIN GUIDE NEW	1
25	037.11.006.80.00	CHAIN TENSIONER NEW	1
26	037.11.301.80.00	CHAIN GUIDE NEW	1
27	1.066.466.000	O-RING 20 . 2	1
28	C24.24.047.00.00	SCREW 5.12	1
29	006.11.065.00.00	DUSTANCE BUSH, 6,2.9.9	4
30	3.130.792.000	SCREW 6.25 DIN 7380 HEAD D=13,6	2
31	037.11.300.80.00	CHAIN GUIDE NEW	1
32	1.149.070.000	BOLT 6.20	2
33	006.11.167.80.00	CHAIN TENSIONER CPL RR4T	1
34	006.11.167.20.00	PISTON	1
35	2.823.105.000	SEEGER RB14 DIN 7993	2
36	006.11.167.10.00	SCREW CHAIN TENSIONER	1
37	006.11.267.30.00	CHAIN TIGHTENER SPRING	1
38	1.066.175.000	OIL SEAL 13.1,5	1
39	006.11.168.80.00	COMPLETE CAP	1
40	006.45.001.80.00	KIT, VALVE SHIM RR MY'10	1
41	006.08.081.00.00	DISTANCE BUSH	1
81	006.11.040.20.52	SHIM 2,525	1
82	006.11.040.30.15	SHIM 3,150	1



© Copyright 2019 Betamotor S.p.A.

Ref.	Part Number	Description	Parts
1	1.067.470.000	RING	2
2	037.13.002.00.00	AIR HOSE NEW	1
3	C07.16.002.00.00	SELF LOCKING CLAMP, NORMA 13/8 W4	2
4	029.13.008.00.00	FUEL HOSE CONNECTOR	1
5	037.13.003.00.00	FUEL HOSE NEW	1
6	037.13.004.00.00	FUEL HOSE NEW	1
7	037.13.007.00.00	FUEL HOSE NEW	1
8	3.129.910.000	SCREW 5.12	2
9	029.13.016.00.00	INJECTOR CAP	1
10	029.13.009.15.00	FIXING BRACKET	2
11	029.13.005.00.00	INJECTOR	1

13	029.13.013.80.00	COMPL.THROTTLE BODY	1
14	029.13.000.82.00	MANIFOLD INSERT	1
15	1.514.607.800	CLAMP, D.58	1
17	C07.16.003.00.00	SELF LOCKING CLAMP, NORMA 12/8 W4	4
18	029.13.018.00.00	INJECTOR	1
19	037.13.001.00.00	INJECTOR CAP NEW	1
20	031.40.125.00.00	FUEL PIPE CONNECTOR	1
21	029.13.029.00.00	THROTTLE POSITION SENSOR	1
22	029.13.030.00.00	TEMPERATURE SENSOR	1
23	029.13.031.00.00	STEPPER MOTOR	1
24	029.13.032.00.00	PULLEY	1



Ref.	Part Number	Description	Parts
1	029.03.011.00.00	CLUTCH GEAR	1
2	029.03.141.00.00	CLUTCH DRUM	1
3	029.03.031.00.00	PRESSURE CAP	1
4	006.03.061.00.00	CLUTCH BUSH	1
5	006.03.063.00.00	SEAL 26.30.22	1
6	006.03.062.00.00	THRUST WASHER 21,7X38X3	1
7	029.03.000.48.00	WASHER	1
8	006.03.065.00.00	S/ARM SPECIAL NUT 18.1,50	1
9	029.03.071.80.00	LIFTER, CLUTCH PUSH ROD ASSY	1
10	029.03.071.00.00	LIFTER, CLUTCH PUSH ROD	1
11	1.611.370.000	BUSH 15.28.2	1
12	2.823.105.000	SEEGER RB14 DIN 7993	1
13	029.03.055.00.00	SPRING	6

14	029.03.056.00.00	SPRING CAP	6
15	3.134.510.000	SCREW 6.20	6
16	029.03.005.00.00	DRIVEN DISK NEW	7
17	029.03.053.00.00	DRIVING PLATE	6
18	029.03.054.00.00	DRIVING PLATE	2
19	1.633.788.000	CAP	1
20	006.03.070.00.00	CLUTCH PUSH ROD	1
21	1.066.840.000	O-RING 33X1,5	1
22	006.03.085.00.00	GASKET CLUTCH SLAVE CYLINDER	1
23	029.03.001.80.00	CLUTCH SLAVE CYLINDER RR	1
24	006.03.281.80.00	CLUTCH SLAVE PISTON RR	1
25	1.066.520.000	OIL SEAL 23,52.1,78	1
26	006.03.083.00.00	SPRING SLAVE CYLINDER	1
27	2.891.050.000	REAR PLIERS BLEED	1
28	029.03.001.00.00	CLUTCH SLAVE CYLINDER RR	1
29	1.165.040.000	SPECIAL BOLT	1
30	1.650.510.000	GASKET 10.15.1 COPPER	2
32	1.149.070.000	BOLT 6.20	2
33	1.150.355.000	BOLT 6.35 RS CH8	1
34	1.349.190.000	SPACER	1
35	029.03.107.00.00	PLATE GUIDE	6