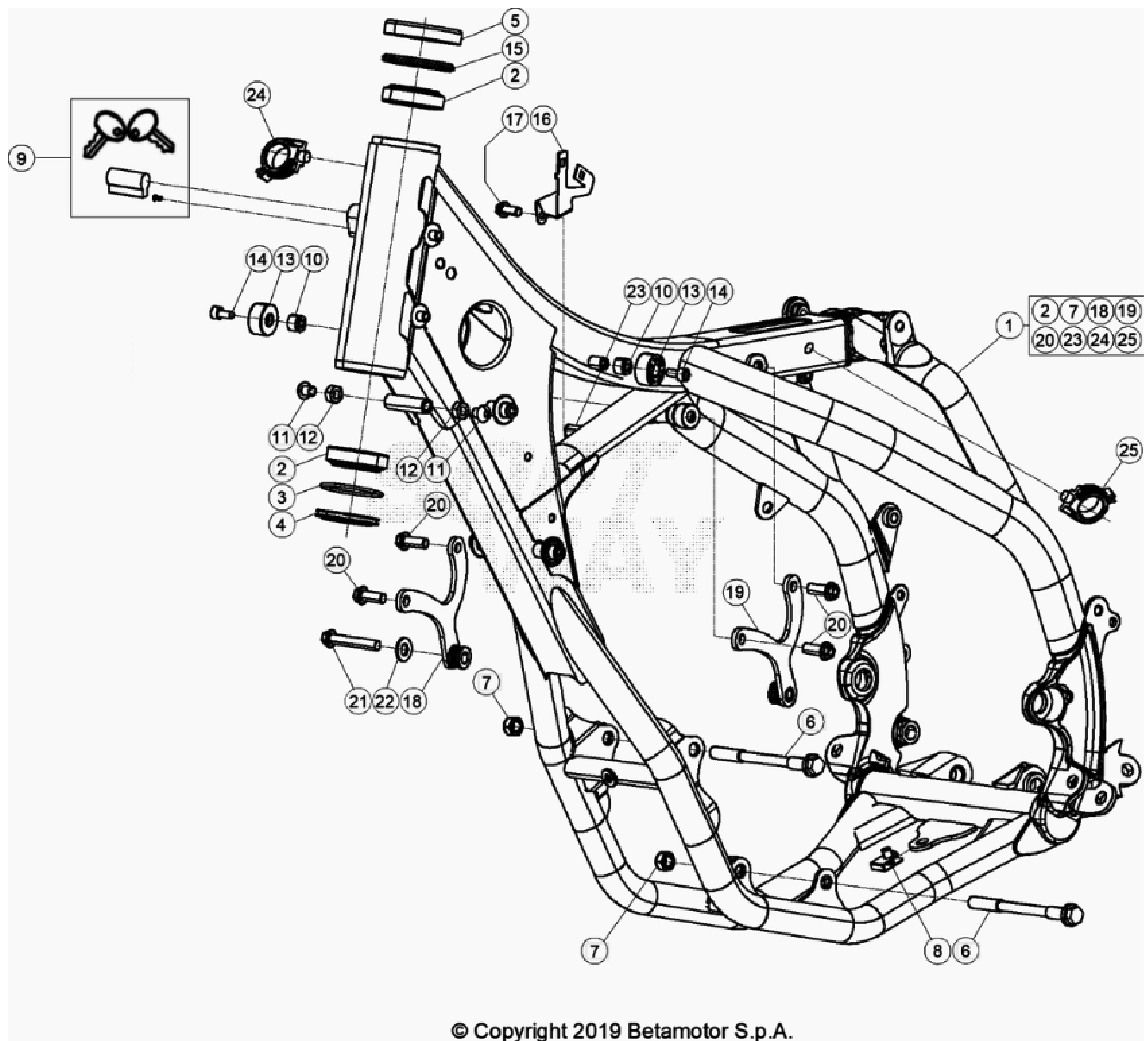


MFC **MOTOCROSS** **CENTER.COM**

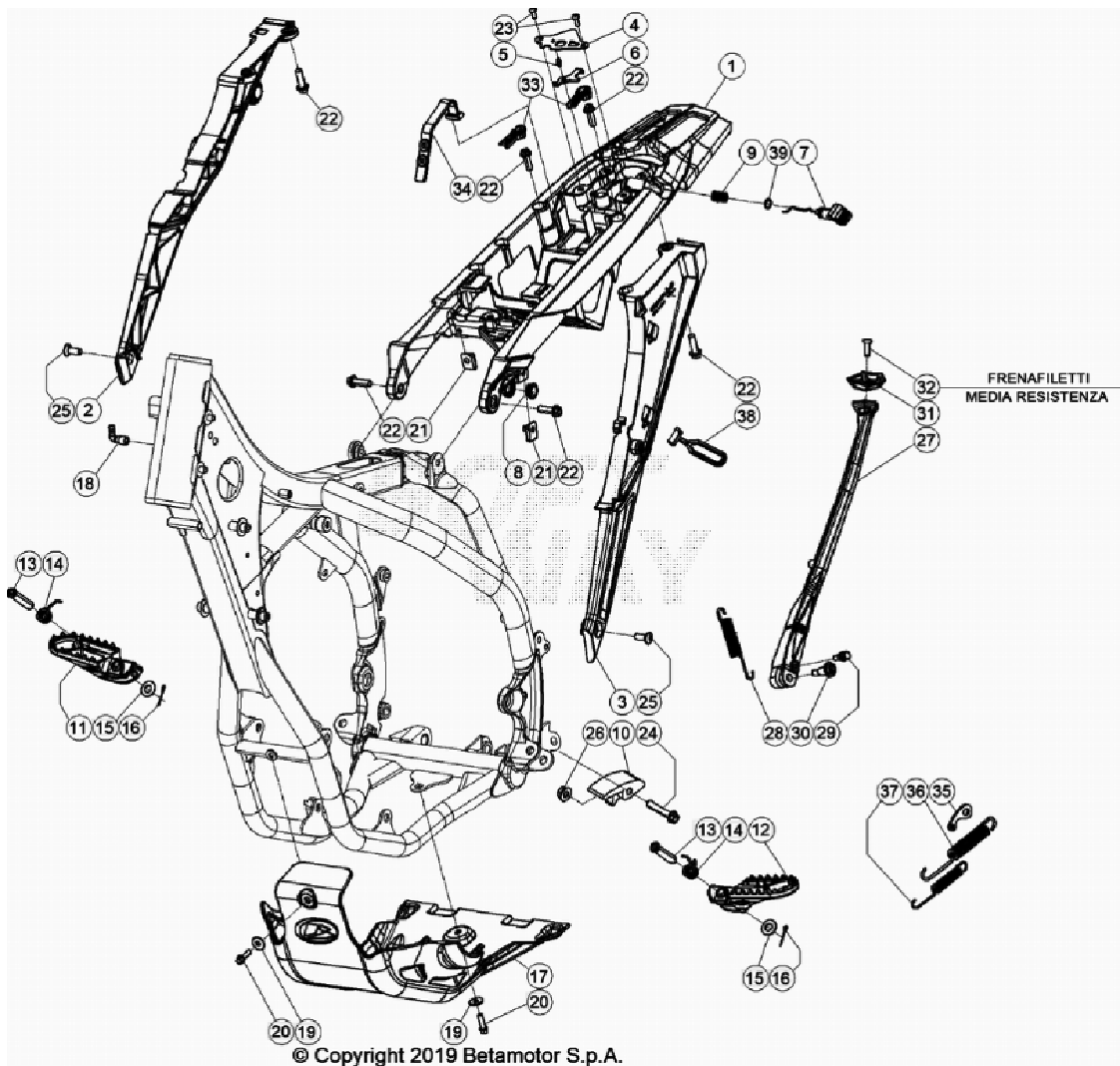
Beta Enduro RR 390 2020





| Ref. | Part Number | Description | Parts |
|------|------------------|---------------------------------------|-------|
| 1 | 037.31.058.80.50 | FRAME RED RR 4T NEW | 1 |
| 2 | 1.299.510.000 | SEAL 29.50.15 | 2 |
| 3 | 1.066.935.000 | O RING | 1 |
| 4 | 020.31.039.00.00 | FRONT FORK RING, RR 4T MY'10 | 1 |
| 5 | 031.31.016.22.00 | PROTECTION, UPPER BEARING | 1 |
| 6 | 1.164.607.000 | SPECIAL BOLT | 2 |
| 7 | 1.321.060.000 | NUT, M10X1,25 H.8.5 14MM SELF-LOCKING | 2 |
| 8 | 2.560.311.000 | M6 SCREW PLATE | 1 |
| 9 | 037.31.024.00.00 | STEERING LOCK PIN TUMBLER NEW | 1 |
| 11 | 3.164.060.000 | SCREW 8.16 | 2 |
| 12 | 1.316.000.000 | NUT 8.6 | 2 |

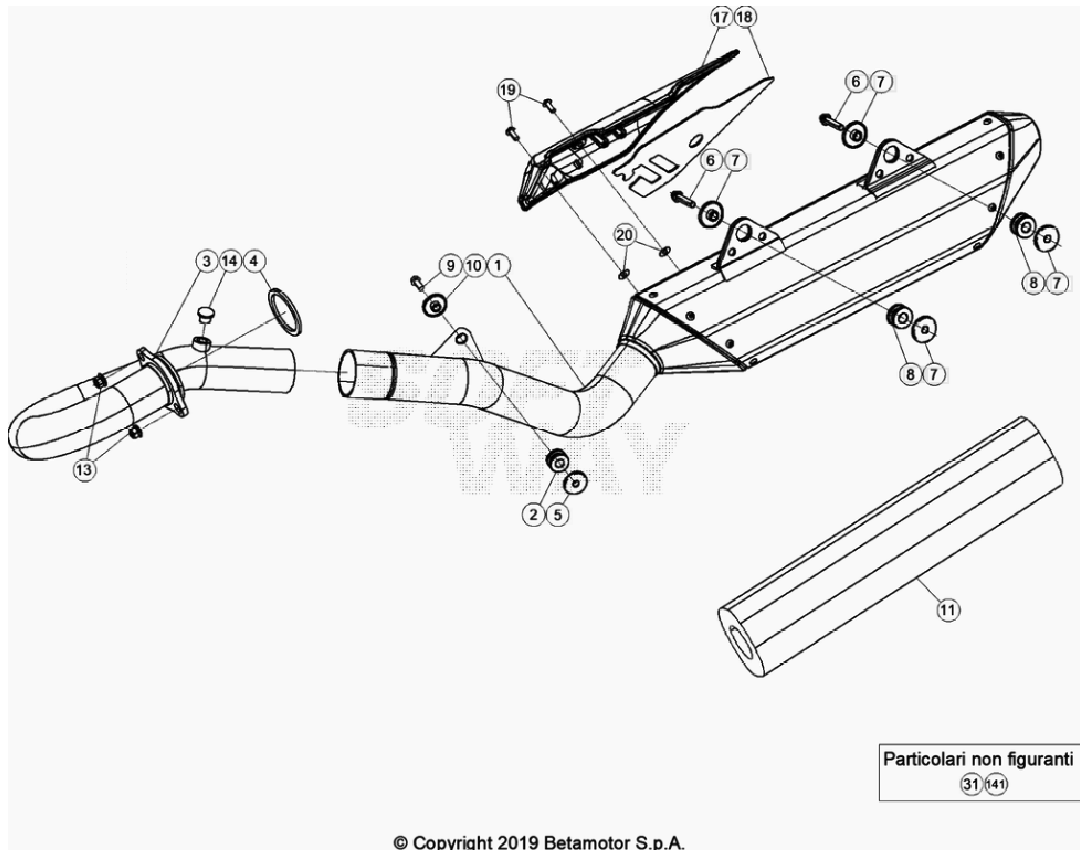
| | | | |
|----|------------------|---------------------------------------|---|
| 13 | 2.910.310.000 | TANK RUBBER PAD | 2 |
| 14 | 3.131.050.000 | SCREW 6.20 | 2 |
| 15 | 031.32.007.00.00 | OIL SEAL | 1 |
| 16 | 037.40.021.22.00 | BRACKET NEW | 1 |
| 17 | 1.148.025.000 | BOLT 6.16 | 1 |
| 18 | 037.32.006.80.00 | ENGINE CONNECTION RR 4T NEW | 1 |
| 19 | 037.32.007.50.00 | ENGINE CONNECTION RR 4T NEW | 1 |
| 20 | 1.154.521.000 | BOLT 8.16 CH.10 | 4 |
| 21 | 1.155.970.000 | BOLT 8.65 PF CH13 RS | 1 |
| 22 | C19.28.008.00.00 | WASHER 8X16X1,6 DIN125-A HV300 NEW | 1 |
| 23 | 2.733.741.000 | RIVNUT | 1 |
| 24 | 2.524.444.000 | FAIR LEAD D.19, RR 4T | 1 |
| 25 | 2.524.440.000 | FAIR LEAD | 1 |
| 26 | 2.524.443.000 | FAIR LEAD, 6/6 | 1 |



| Ref. | Part Number | Description | Parts |
|------|------------------|---|-------|
| 1 | 040.32.035.80.59 | REAR FRAME NEW | 1 |
| 2 | 037.32.041.87.59 | REAR FRAME CONNECTION BLACK RR NEW | 1 |
| 3 | 037.32.043.87.59 | REAR FRAME CONNECTION BLACK RR 0L0101002-6L0101151 NEW | 1 |
| 4 | 020.32.010.00.05 | SEAT LOCK FIXING PLATE | 1 |
| 5 | 020.32.112.00.00 | SEAT LOCK SPECIAL RIVET | 1 |
| 6 | 037.32.013.50.00 | RETAINING PLATE NEW | 1 |
| 7 | 037.32.014.87.59 | SEAT BUTTON BLACK RR NEW | 1 |
| 8 | 037.38.003.00.00 | INSERT NEW | 1 |
| 9 | 020.32.016.00.00 | SEAT LOCK BUTTON SPRING | 1 |

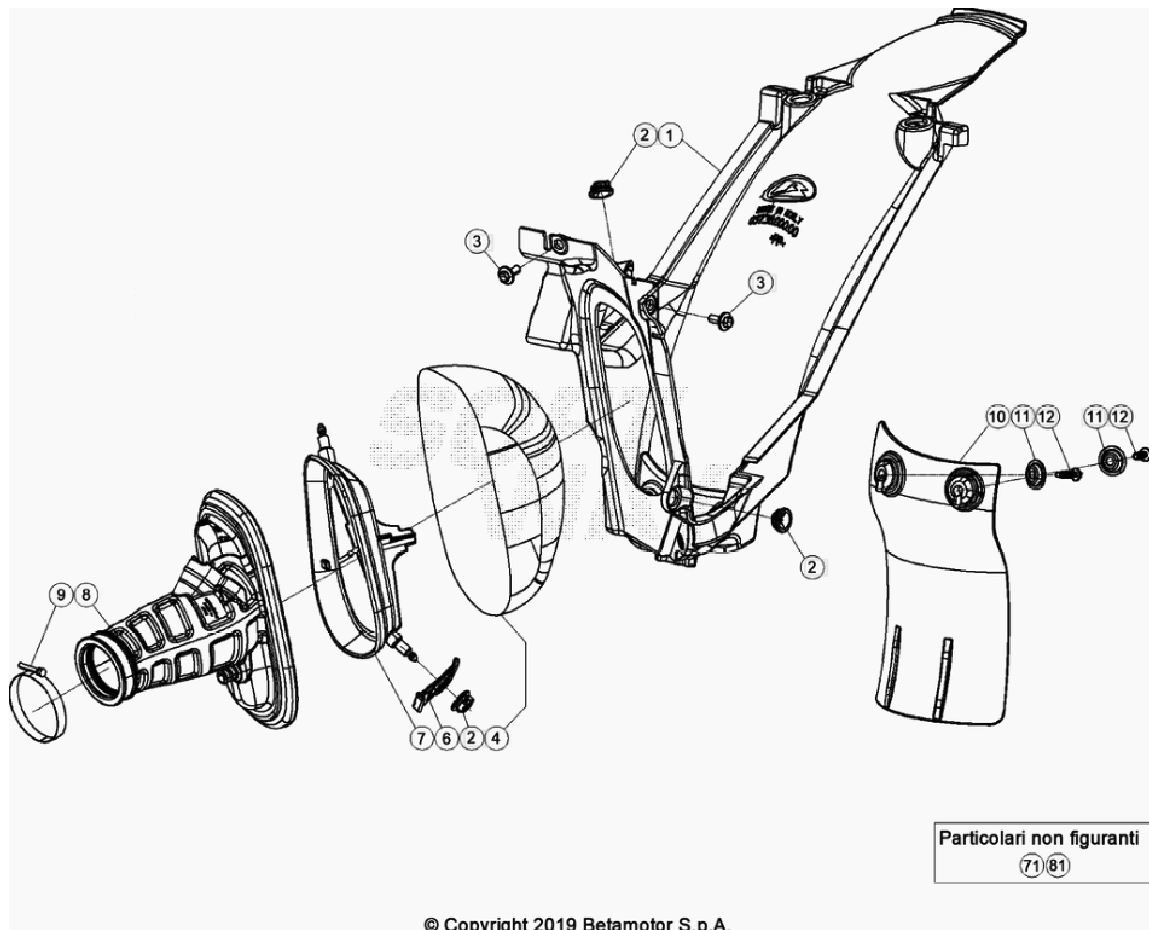
| | | | |
|----|------------------|----------------------------|---|
| 10 | 2.525.601.000 | SLIDING BLOCK | 1 |
| 11 | 037.32.009.00.00 | FOOTPEG NEW | 1 |
| 12 | 037.32.008.00.00 | FOOTPEG NEW | 1 |
| 13 | 2.554.465.000 | PIVOT PIN, FOOTREST RR 4T | 2 |
| 14 | 037.32.019.00.00 | SPRING NEW | 2 |
| 15 | 031.32.001.00.00 | WASHER 10.20..1,5 | 2 |
| 16 | 1.281.993.000 | SPLIT PIN | 2 |
| 17 | 037.32.018.00.59 | ENGINE GUARD RR 4T NEW | 1 |
| 18 | 2.723.470.000 | BREATHER PIPE HOSE | 1 |
| 19 | 2.742.000.000 | WASHER 6.18 NEW | 2 |
| 20 | 1.149.070.000 | BOLT 6.20 | 2 |
| 21 | 2.560.311.000 | M6 SCREW PLATE | 2 |
| 22 | 3.164.070.000 | SCREW 8.30 | 6 |
| 23 | 3.129.810.000 | SCREW 5.12 | 2 |
| 24 | 1.155.480.000 | BOLT 8.40 | 1 |
| 25 | 007.32.032.00.00 | SCREW TSBEI CH 6 M8X20 | 2 |
| 26 | 1.317.120.000 | NUT M8 | 1 |
| 27 | 037.32.010.82.00 | SUPPORT - KIT NEW | 1 |
| 28 | 037.32.030.00.00 | SPRING NEW | 1 |
| 29 | 1.166.615.000 | SPECIAL BOLT | 1 |
| 30 | 1.166.614.000 | SPECIAL BOLT, RR 4T '08 | 1 |
| 31 | 037.32.017.00.00 | INSERT NEW | 1 |
| 32 | 3.134.400.000 | SCREW 6.20 | 1 |
| 33 | 037.32.027.00.00 | RUBBER PAD - KIT NEW | 1 |
| 34 | 037.43.043.00.00 | BATTERY RUBBER BAND NEW | 1 |
| 35 | 037.32.031.50.00 | STAND SPRING BRACKET | 1 |

| | | | |
|----|------------------|------------------------|---|
| | | NEW | |
| 36 | 037.32.029.00.00 | SPRING | 1 |
| | | NEW | |
| 37 | 037.32.028.00.00 | SPRING | 1 |
| | | NEW | |
| 38 | 1.634.907.000 | STAND RUBBER, RR 4T | 1 |
| 39 | C02.06.066.00.00 | SEALING RING 9.52x1.78 | 1 |
| | | NEW | |



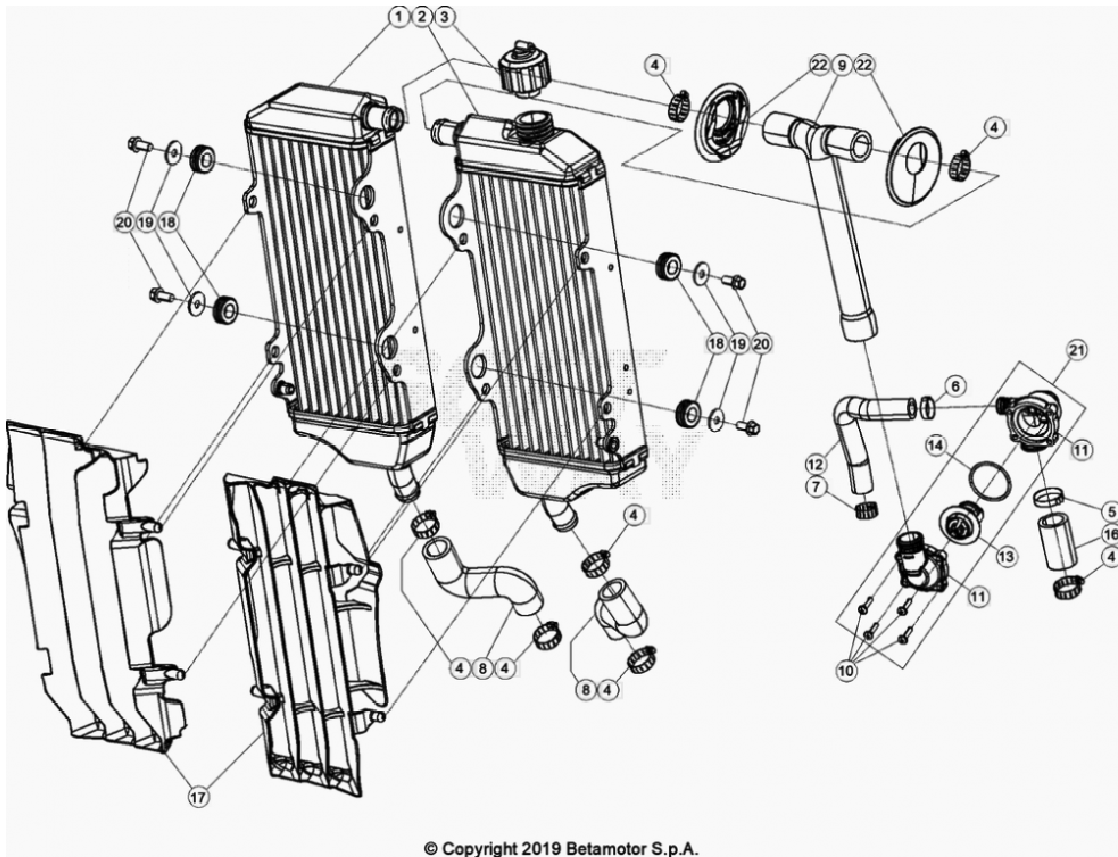
| Ref. | Part Number | Description | Parts |
|------|------------------|---------------------------------|-------|
| 1 | 037.37.000.80.00 | SILENCER RR 4T NEW | 1 |
| 2 | 007.37.035.00.00 | RUBBER SILENT BLOCK | 1 |
| 3 | 037.37.008.00.00 | EXHAUST MANIFOLD RR 4T NEW | 1 |
| 4 | 020.37.004.00.00 | SEALING EXHAUST FLANGE | 1 |
| 5 | 007.37.037.00.00 | SILENT BLOCK THREADED CUP | 1 |
| 6 | 1.150.300.000 | BOLT 6.30 RS CH8 | 2 |
| 7 | 026.37.006.00.00 | SPACER | 4 |
| 8 | 032.37.013.00.00 | EXHAUST PIPE SILENT-BLOCK, RR4T | 2 |
| 9 | 1.149.070.000 | BOLT 6.20 | 1 |
| 10 | 037.37.021.00.00 | SPACER NEW | 1 |
| 11 | 031.45.108.82.00 | SILENCER - KIT | 1 |
| 13 | 1.317.121.000 | NUT M8, SPECIAL CH.10 | 2 |
| 14 | 031.37.030.00.00 | OXYGEN SENSOR PLUG | 1 |
| 17 | 037.37.009.85.59 | SILENCER GUARD RR 4T | 1 |

| | | | |
|-----|------------------|------------------------------|---|
| | | NEW | |
| 18 | 037.37.010.00.00 | HEAT GUARD RR 4T | 1 |
| | | NEW | |
| 19 | 3.129.810.000 | SCREW 5.12 | 2 |
| 20 | 1.647.491.000 | SPECIAL GASKET 6 X 13 TH.1,8 | 2 |
| 31 | 037.37.002.00.00 | EXHAUST MANIFOLD RR 4T EU | 1 |
| | | NEW | |
| 141 | 029.13.010.00.00 | SENSOR AIR | 1 |



| Ref. | Part Number | Description | Parts |
|------|------------------|---------------------------------|-------|
| 1 | 037.38.000.87.59 | AIRBOX BLACK RR NEW | 1 |
| 2 | 037.38.003.00.00 | INSERT NEW | 3 |
| 3 | 037.43.029.00.00 | SPECIAL BOLT M6X12 NEW | 2 |
| 4 | 037.38.002.82.00 | AIR FILTER NEW | 1 |
| 6 | 037.38.006.00.59 | AIR BOX BRACKET BLACK RR NEW | 1 |
| 7 | 037.38.001.87.00 | AIR FILTER CAGE RR 4T NEW | 1 |
| 8 | 037.38.004.00.00 | AIRBOX SLEEVE RR 4T NEW | 1 |
| 9 | 1.514.606.000 | CLAMP | 1 |
| 10 | 026.38.007.10.59 | PROTECTION REAR SHOCK | 1 |
| 11 | 2.774.786.000 | WASHER | 2 |

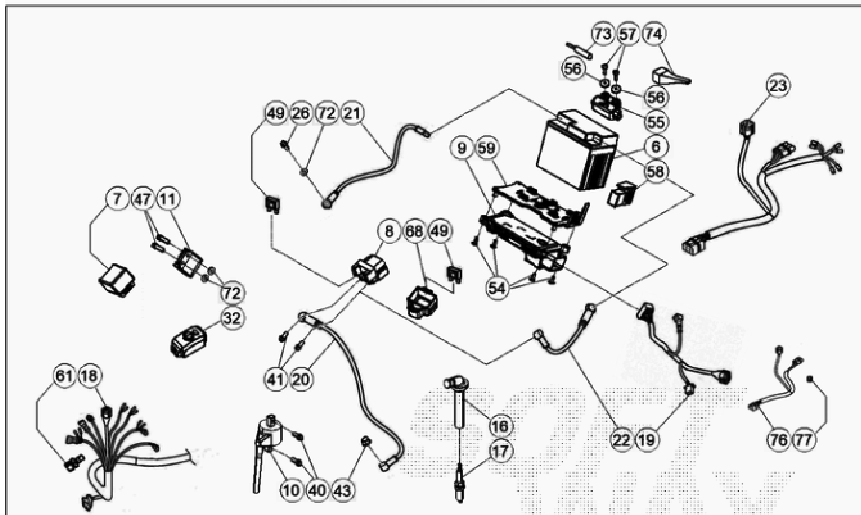
| | | | |
|----|------------------|-------------------------------|---|
| 12 | 3.130.815.000 | SCREW 6.20 | 2 |
| 71 | 037.38.008.00.00 | CAGE NEW | 1 |
| 81 | 037.38.005.00.00 | AIRBOX SLEEVE RR 4T EU NEW | 1 |



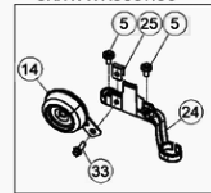
| Ref. | Part Number | Description | Parts |
|------|------------------|------------------------------|-------|
| 1 | 037.39.001.00.00 | RADIATOR RR 4T NEW | 1 |
| 2 | 037.39.002.00.00 | RADIATOR RR 4T NEW | 1 |
| 3 | 037.39.021.00.00 | RADIATOR CAP RR 4T NEW | 1 |
| 4 | 1.515.240.000 | CLAMP 16/27 | 7 |
| 5 | C07.16.005.00.00 | TIE WRAP D25 | 1 |
| 6 | 020.39.009.00.00 | SELF LOCKING CLAMP, 17 | 1 |
| 7 | 1.515.220.000 | CLAMP | 1 |
| 8 | 037.39.013.00.00 | RADIATOR HOSE RR 4T NEW | 2 |
| 9 | 037.39.009.00.00 | THERMOSTAT HOSE RR 4T NEW | 1 |
| 10 | 031.39.017.50.00 | SCREW M3,5X18 | 4 |
| 11 | 037.39.006.00.00 | THERMOSTAT CASE RR NEW | 0 |
| 12 | 037.39.012.00.00 | THERMOSTAT HOSE RR 4T NEW | 1 |

| | | | |
|----|------------------|--------------------------------------|---|
| 13 | 020.39.013.00.00 | TERMOSTAT RR 4T MY'10 | 1 |
| 14 | 1.066.830.000 | O-RING | 1 |
| 16 | 040.39.000.00.00 | WATER HOSE RR 2T NEW | 1 |
| 17 | 037.39.003.00.51 | RADIATOR LOUVER PAIR WHITE RR NEW | 1 |
| 18 | 035.39.006.00.00 | SILENT BLOCK NEW | 4 |
| 19 | 2.743.250.000 | WASHER 6.24 | 4 |
| 20 | 1.147.015.000 | BOLT 6.12 RS CH8 | 4 |
| 21 | 037.39.006.80.00 | THERMOSTAT RR 4T NEW | 1 |
| 22 | 037.39.015.00.00 | CAP NEW | 2 |

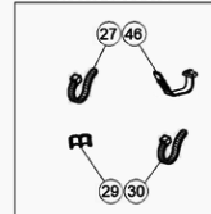
GR. COMPONENTI ELETTRICI/CABLAGGI



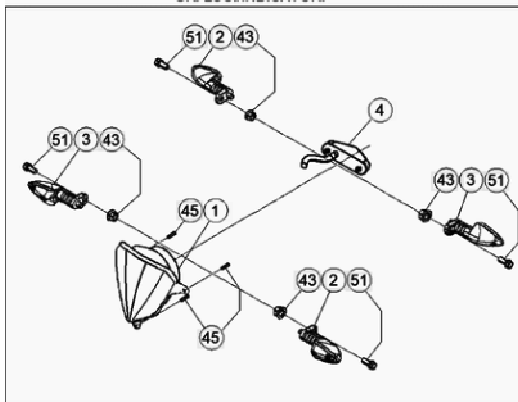
GR. AVV. ACUSTICO



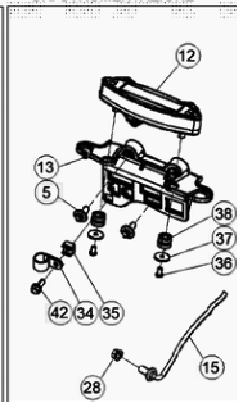
GR. ACCESSORI



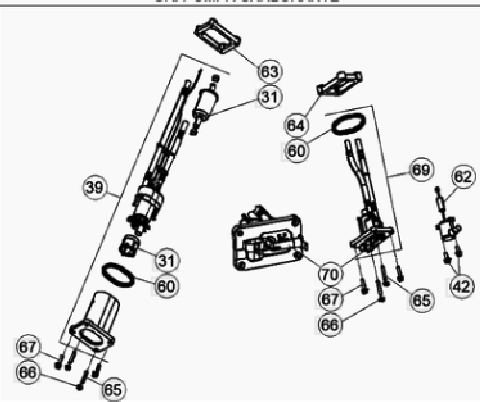
GR. LUCI/INDICATORI



GR. STRUMENTAZIONE



GR. POMPA CARBURANTE



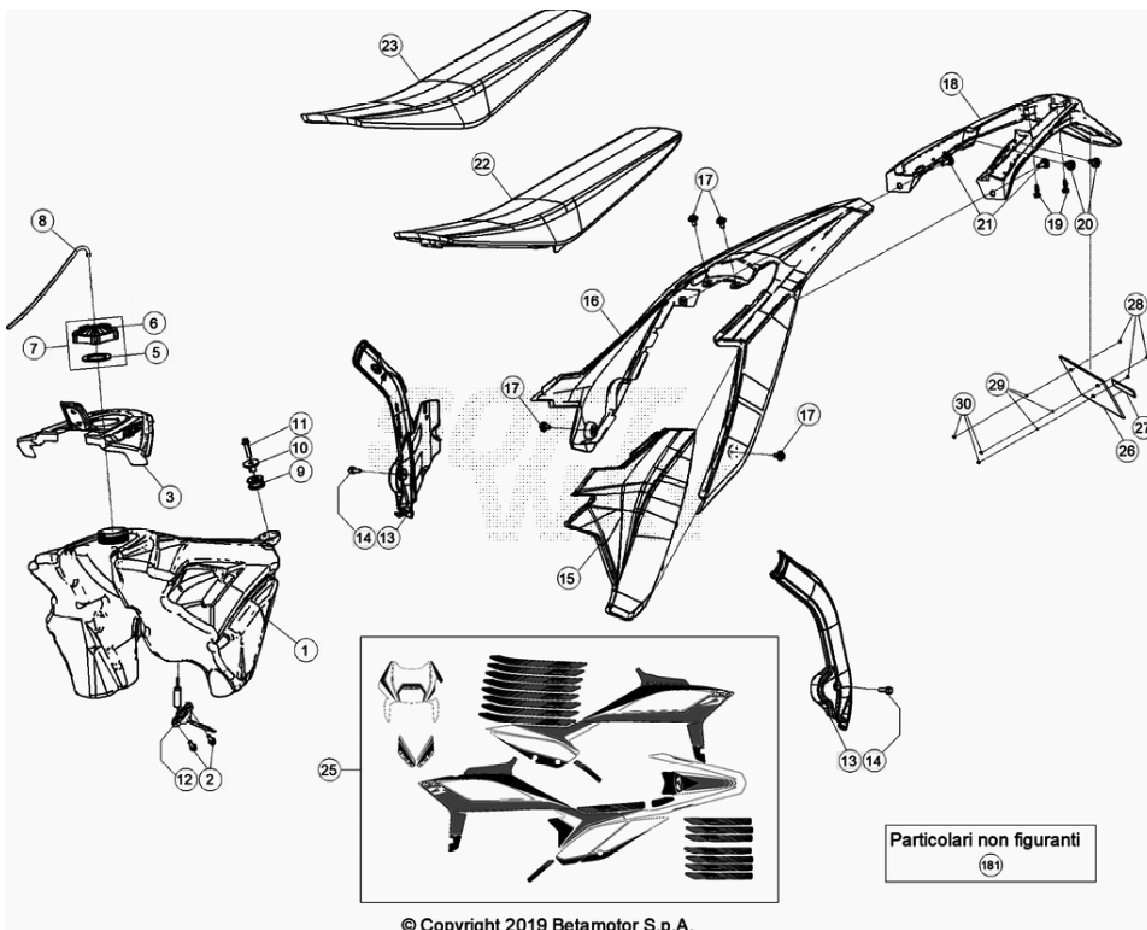
© Copyright 2019 Betamotor S.p.A.

| Ref. | Part Number | Description | Parts |
|------|------------------|--------------------------------|-------|
| 1 | 031.40.006.00.00 | HEADLIGHT | 1 |
| 2 | 020.40.061.00.00 | BLINKER F/LF - R/RH | 2 |
| 3 | 020.40.060.00.00 | BLINKER F/RH - R/LF | 2 |
| 4 | 037.40.012.00.00 | REAR HEADLIGHT | 1 |
| 5 | 037.43.028.00.00 | SPECIAL BOLT M6X8 | 4 |
| 6 | 031.40.124.00.00 | BATTERY | 1 |
| 7 | 1.884.948.000 | FLASHING DEVICE | 1 |
| 8 | 2.728.471.000 | RELAIS, STARTING | 1 |
| 9 | 031.40.015.10.00 | UNPROGRAMMED CDI UNIT | 1 |
| 10 | 031.40.021.37.00 | IGNITION COIL | 1 |
| 11 | 031.40.025.37.00 | REGULATOR | 1 |
| 12 | 037.40.005.00.00 | DIGITAL DASHBOARD RR 4T NEW | 1 |
| 13 | 037.40.001.00.00 | DASHBOARD BRACKET RR | 1 |

| | | | |
|----|------------------|---------------------------------|---|
| | | NEW | |
| 14 | 007.40.050.00.00 | HORN | 1 |
| 15 | 031.40.166.00.00 | REED SENSOR | 1 |
| | | NEW | |
| 16 | 006.10.055.00.00 | SPARK PLUG CONNECTOR RR4T MY'10 | 1 |
| 17 | 006.10.050.00.00 | SPARK PLUG, M12X1,25 | 1 |
| 18 | 037.40.010.00.00 | SECONDARY WIRING HARNESS RR 4T | 1 |
| | | NEW | |
| 19 | 037.40.052.80.00 | MAIN WIRING HARNESS RR 4T | 1 |
| | | NEW | |
| 20 | 037.40.008.00.00 | RELAY WIRING HARNESS RR 4T | 1 |
| | | NEW | |
| 21 | 020.40.002.00.00 | RR4T MY'10 GROUND WIRING SYSTEM | 1 |
| 22 | 037.40.007.00.00 | RELAY WIRING HARNESS | 1 |
| | | NEW | |
| 23 | 037.40.009.00.00 | SECONDARY WIRING HARNESS RR 4T | 1 |
| | | NEW | |
| 24 | 037.40.023.00.59 | HORN BRACKET BLACK RR | 1 |
| | | NEW | |
| 25 | 2.560.311.000 | M6 SCREW PLATE | 1 |
| 26 | 3.138.020.000 | SCREW 6.10 | 1 |
| 27 | 037.40.026.00.00 | TIE WRAP | 5 |
| | | NEW | |
| 28 | 1.317.121.000 | NUT M8, SPECIAL CH.10 | 1 |
| 29 | 2.524.443.000 | FAIR LEAD, 6/6 | 1 |
| 30 | 1.514.264.000 | WHITE CLAMP | 1 |
| 31 | 031.40.043.82.00 | KIT, FUEL PUMP FILTER | 1 |
| 32 | 007.40.088.00.00 | ECU MAP SWITCH EVO | 1 |
| | | NEW | |
| 33 | 1.146.501.000 | BOLT 6.10 | 1 |
| 34 | 2.525.182.000 | CLAMP "NYLPAS016R" | 1 |
| 35 | 037.40.030.00.00 | CLIP | 1 |
| | | NEW | |
| 36 | 3.173.000.000 | SCREW 4.8 | 2 |
| 37 | 2.734.800.000 | WASHER 4.16 | 2 |
| 38 | 031.40.013.00.00 | RUBBER BUFFER | 2 |

| | | | |
|----|------------------|------------------------------|---|
| 39 | 037.40.031.82.00 | CARBURETOR PUMP - KIT NEW | 1 |
| 40 | 1.149.070.000 | BOLT 6.20 | 2 |
| 41 | 3.130.190.000 | SCREW 6.8 | 2 |
| 42 | 1.146.251.000 | BOLT 5,12 | 3 |
| 43 | 1.312.550.000 | NUT M8.5 | 5 |
| 45 | 3.123.580.000 | PARKER SCREW 4,8.13 | 3 |
| 46 | 037.43.043.00.00 | RUBBER BAND | 1 |
| 47 | 1.147.015.000 | BOLT 6.12 RS CH8 | 2 |
| 49 | 020.40.006.00.00 | 10/32V FUSE | 2 |
| 51 | 1.148.025.000 | BOLT 6.16 | 4 |
| 54 | 3.123.370.000 | SCREW 4.11 | 4 |
| 55 | 031.40.017.00.00 | TILT SENSOR | 1 |
| 56 | 2.734.800.000 | WASHER 4.16 | 2 |
| 57 | 3.123.560.000 | SCREW | 2 |
| 58 | 031.40.039.00.00 | RELAY | 1 |
| 59 | 031.40.016.10.00 | CDI BRACKET | 1 |
| 60 | 031.40.044.82.00 | PACKINGS KIT | 1 |
| 61 | 029.13.004.00.00 | TEMPERATURE SENSOR | 1 |
| 62 | 037.40.002.00.00 | PROBE RR 4T NEW | 1 |
| 63 | 031.43.087.00.00 | FUEL PUMP FIXING PLATE | 1 |
| 64 | 031.43.090.00.00 | FUEL PUMP FIXING PLATE | 1 |
| 65 | C24.75.002.00.00 | STUD BOLT 5.22 | 4 |
| 66 | C24.07.013.00.00 | NUT 5, SELF-BLOCKING | 4 |
| 67 | 1.146.401.000 | BOLT 5.20 RS CH8 | 4 |
| 68 | 037.40.006.00.00 | ELASTIC | 1 |
| 69 | 031.40.045.82.00 | REGULATOR KIT | 1 |
| 70 | 031.40.049.82.00 | KIT | 1 |
| 72 | 2.740.500.000 | WASHER 6.12.1,6 DIN 125 | 3 |
| 73 | 037.40.022.00.00 | CAPACITOR NEW | 1 |
| 74 | 031.40.052.00.00 | DIODES | 1 |

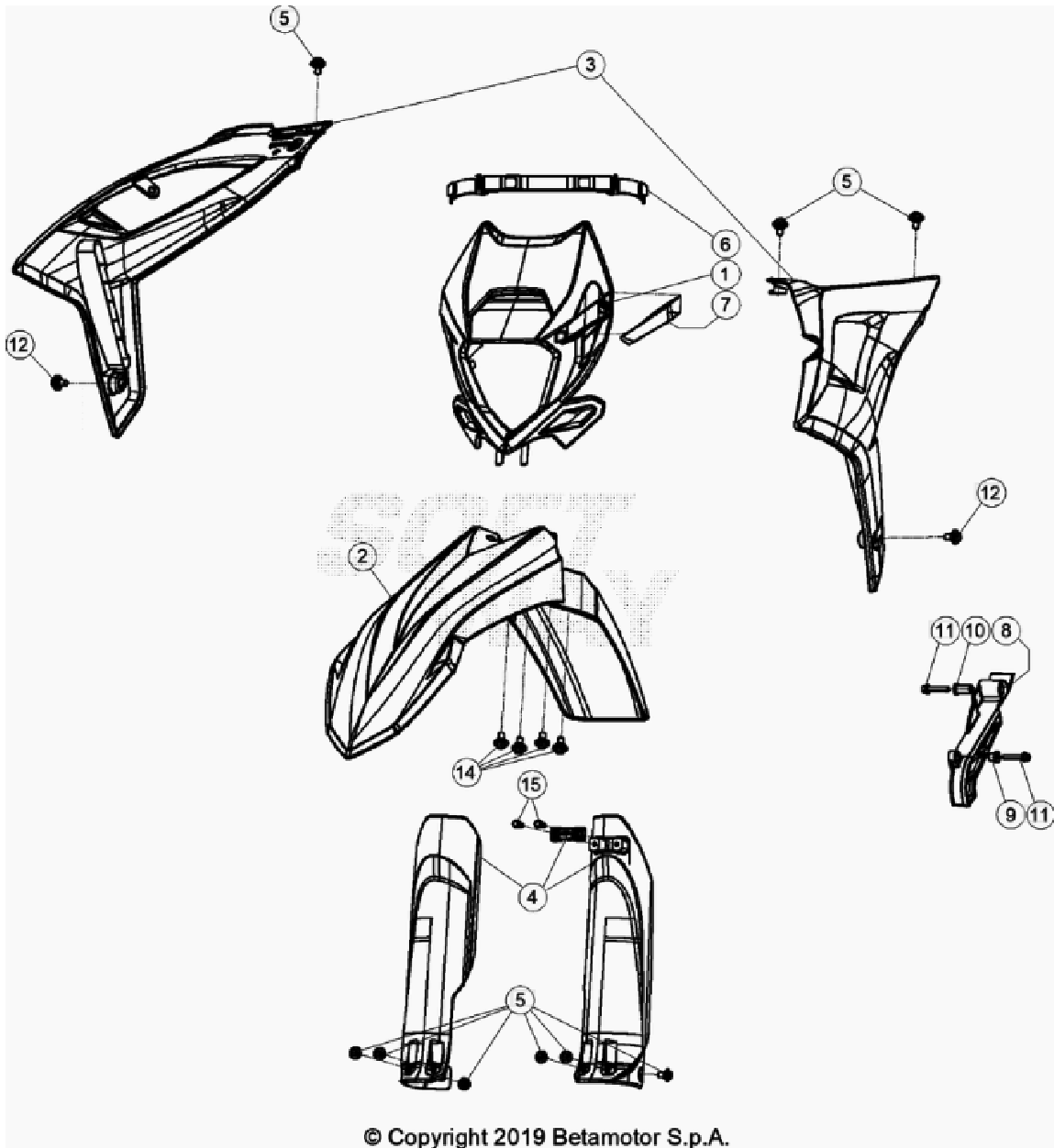
| | | | |
|----|------------------|-----------------------------|---|
| 76 | 031.40.078.00.00 | ELECTRICAL DIAGNOSIS SYSTEM | 1 |
| 77 | 031.40.074.00.00 | PLUG | 1 |



© Copyright 2019 Betamotor S.p.A.

| Ref. | Part Number | Description | Parts |
|------|------------------|------------------------------------|-------|
| 1 | 037.43.000.00.51 | FUEL TANK WHITE RR 4T NEW | 1 |
| 2 | 1.146.251.000 | BOLT 5,12 | 2 |
| 3 | 037.43.006.00.59 | TANK COVER BLACK RR NEW | 1 |
| 4 | 3.189.010.000 | SPECIAL SCREW NEW | 1 |
| 5 | 031.43.116.00.00 | GASKET | 1 |
| 6 | 036.43.041.80.00 | FUEL TANK CAP | 1 |
| 7 | 036.43.041.82.00 | FUEL TANK CAP | 1 |
| 8 | 020.43.003.00.00 | EXHAUST TUBE PLUG/VALVE RR 4TMY'10 | 1 |
| 9 | 032.37.013.00.00 | EXHAUST PIPE SILENT-BLOCK, RR4T | 1 |
| 11 | 1.150.300.000 | BOLT 6.30 RS CH8 | 1 |
| 12 | 037.40.002.00.00 | PROBE RR 4T NEW | 1 |
| 13 | 037.43.019.00.59 | FRAME GUARD - PAIR BLACK RR | 1 |

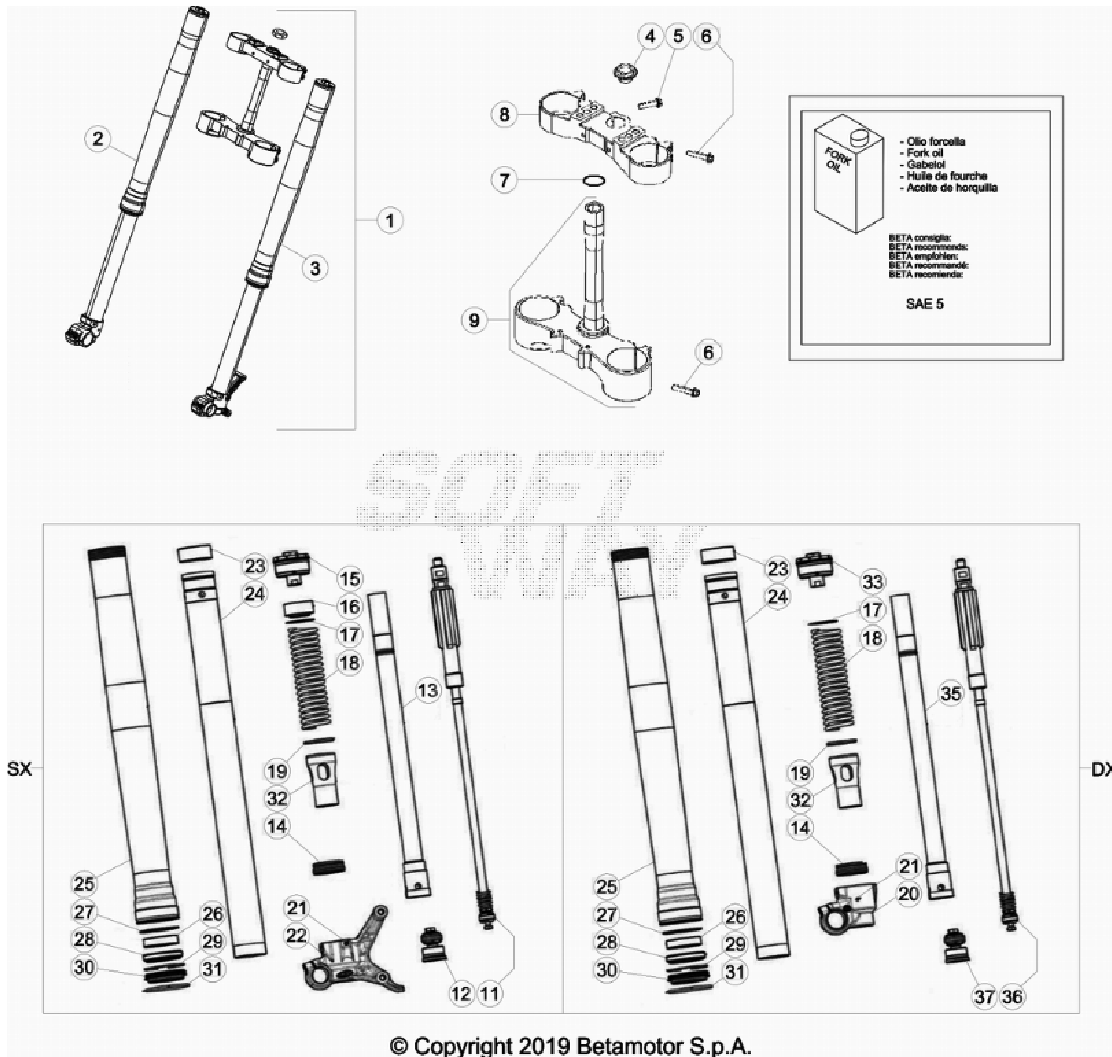
| | | | |
|-----|------------------|-------------------------------|---|
| | | NEW | |
| 14 | C24.31.046.00.00 | SCREW M5X8 8.8 DIN6921 | 2 |
| 15 | 037.43.005.87.51 | SIDE PANEL WHITE RR | 1 |
| | | NEW | |
| 16 | 037.43.007.87.51 | REAR FENDER WHITE RR | 1 |
| | | NEW | |
| 17 | 037.43.028.00.00 | SPECIAL BOLT M6x8 | 4 |
| | | NEW | |
| 18 | 037.43.014.00.59 | LICENSE PLATE HOLDER BLACK RR | 1 |
| | | NEW | |
| 19 | 3.179.960.000 | SCREW, 6X15 | 2 |
| 20 | 037.43.029.00.00 | SPECIAL BOLT M6x12 | 2 |
| | | NEW | |
| 21 | 037.43.030.00.00 | SPECIAL BOLT M6x16 | 2 |
| | | NEW | |
| 22 | 037.43.010.82.59 | NEW | 1 |
| 23 | 037.43.013.82.59 | NEW | 1 |
| 25 | 037.43.018.82.00 | DECALS - FULL SET RR MY20 | 1 |
| | | NEW | |
| 26 | 018.43.010.10.59 | LICENCE PLATE BRACKET | 1 |
| 27 | 1.233.086.000 | REAR REFRECTOR, RR 4T | 1 |
| 28 | 3.129.860.000 | SCREW 5.16 | 3 |
| 29 | 2.736.000.000 | WASHER 5.11 | 3 |
| 30 | 1.311.010.000 | NUT 5, SELF-BLOCKING NUT 5 | 3 |
| 181 | 037.43.015.00.59 | LICENSE PLATE HOLDER BLACK RR | 1 |
| | | NEW | |



© Copyright 2019 Betamotor S.p.A.

| Ref. | Part Number | Description | Parts |
|------|------------------|-----------------------------------|-------|
| 1 | 037.43.008.00.51 | HEADLIGHT MASK WHITE RR NEW | 1 |
| 2 | 037.43.009.00.51 | FRONT FENDER WHITE RR NEW | 1 |
| 3 | 037.43.001.00.51 | TANK PANEL - PAIR WHITE RR NEW | 1 |
| 4 | 026.45.113.82.51 | FORK TUBE COVER - KIT WHITE RR | 1 |
| 5 | 037.43.028.00.00 | SPECIAL BOLT M6x8 NEW | 9 |
| 6 | 037.43.020.00.59 | HEADLIGHT MASK RUBBER BAND NEW | 1 |

| | | | |
|----|------------------|---------------------------------|---|
| 7 | 037.43.017.00.51 | FAIRLEAD WHITE RR NEW | 1 |
| 8 | 037.43.026.00.59 | PINION GUARD BLACK RR 4T NEW | 1 |
| 9 | 1.349.190.000 | SPACER | 1 |
| 10 | 1.349.189.000 | SPACER | 1 |
| 11 | 1.150.300.000 | BOLT 6.30 RS CH8 | 2 |
| 12 | 037.43.030.00.00 | SPECIAL BOLT M6x16 NEW | 2 |
| 13 | 3.123.580.000 | PARKER SCREW 4,8.13 NEW | 1 |
| 14 | 037.43.029.00.00 | SPECIAL BOLT M6x12 NEW | 4 |
| 15 | 3.130.030.000 | SCREW 5,5.15 | 2 |



© Copyright 2019 Betamotor S.p.A.

| Ref. | Part Number | Description | Parts |
|------|------------------|-----------------------------------|-------|
| 1 | 037.34.000.80.00 | FRONT FORK ASSY RR 4T MY20 NEW | 1 |
| 2 | 037.34.003.80.00 | RIGHT FORK LEG RR 4T NEW | 1 |
| 3 | 037.34.004.80.00 | LEFT FORK LEG RR 4T NEW | 1 |
| 4 | 020.34.004.00.00 | FRONT FORK 20X1,5 NUT RR 4T MY'11 | 1 |
| 5 | 1.155.440.000 | BOLT 8.30 RS CH10 | 1 |
| 6 | 1.155.510.000 | BOLT 8.40 | 8 |
| 7 | 1.066.420.000 | O-RING 20,22.3,53 NBR | 1 |
| 8 | 037.34.001.42.00 | UPPER TRIPLE CLAMP RR 4T NEW | 1 |
| 9 | 037.34.002.80.00 | TRIPLE CLAMP ASSY RR NEW | 1 |

| | | | |
|----|------------------|-------------------------------|---|
| 11 | 037.34.017.00.00 | EXTENSION GROUP NEW | 1 |
| 12 | 037.34.019.00.00 | COMPRESSION GROUP NEW | 1 |
| 13 | 037.34.015.00.00 | HOSE NEW | 1 |
| 14 | 020.34.313.00.00 | STEM SUPPORTING RING + O RING | 2 |
| 15 | 037.34.009.00.00 | CAP NEW | 1 |
| 16 | 037.34.011.00.00 | SPACER NEW | 1 |
| 17 | 031.34.323.00.00 | WASHER | 2 |
| 18 | 031.34.025.00.00 | SPRING, K=4,8 N/MM | 2 |
| 19 | 020.34.321.00.00 | CENTERING RING | 2 |
| 20 | 037.34.014.00.00 | FORK BOTTOM NEW | 1 |
| 21 | 020.34.308.00.00 | DOWEL | 2 |
| 22 | 037.34.013.00.00 | FORK BOTTOM NEW | 1 |
| 23 | 020.34.320.00.00 | BUSH D.49/47 L20 | 2 |
| 24 | 031.34.021.00.00 | STEM | 2 |
| 25 | 037.34.008.00.00 | FORK SLIDER NEW | 2 |
| 26 | 031.34.020.00.00 | BUSH | 2 |
| 27 | 020.34.318.00.00 | SPACER | 2 |
| 28 | 020.34.317.00.00 | OIL SEAL | 2 |
| 29 | 020.34.316.00.00 | CIRCLIP D.58,45 | 2 |
| 30 | 020.34.315.00.00 | DUST SCRAPER | 2 |
| 31 | 026.34.364.00.00 | CHECK RING | 2 |
| 32 | 037.34.012.00.00 | SPRING GUIDE NEW | 2 |
| 33 | 037.34.010.00.00 | CAP NEW | 1 |
| 35 | 037.34.016.00.00 | HOSE NEW | 1 |
| 36 | 037.34.018.00.00 | EXTENSION GROUP | 1 |

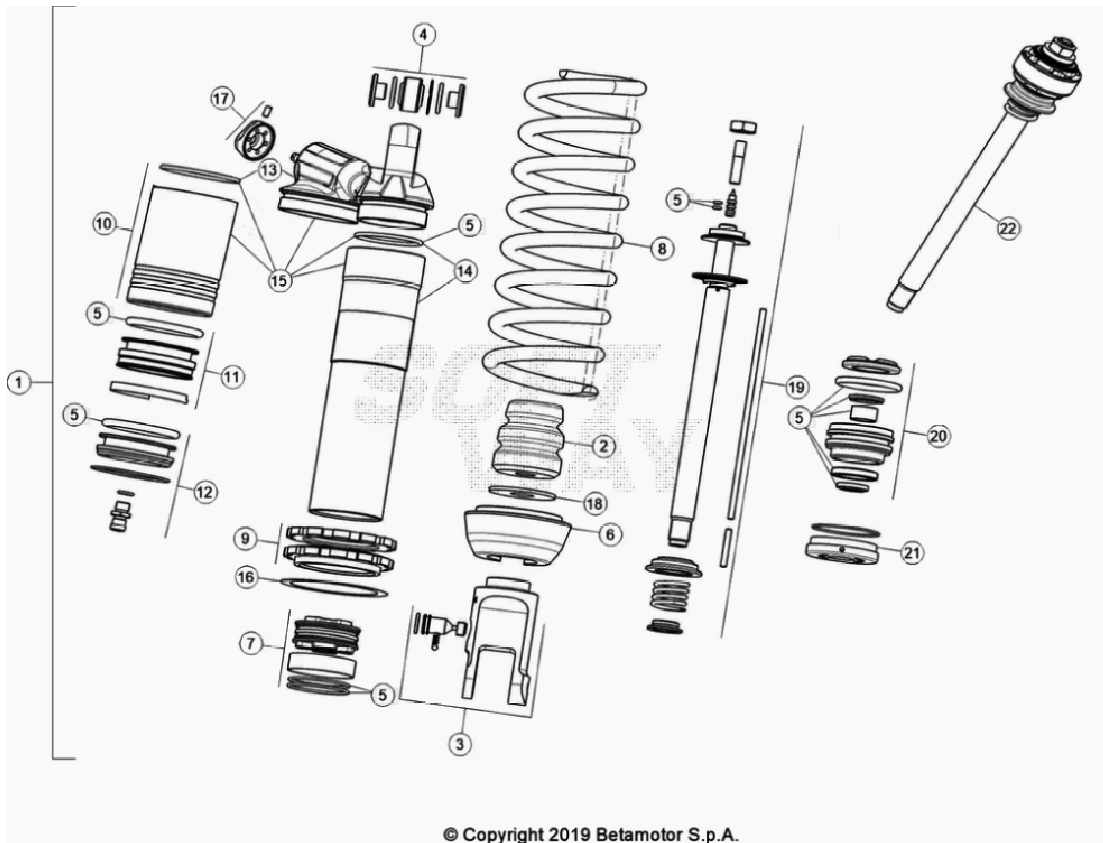
NEW

37 037.34.020.00.00

COMPRESSION GROUP

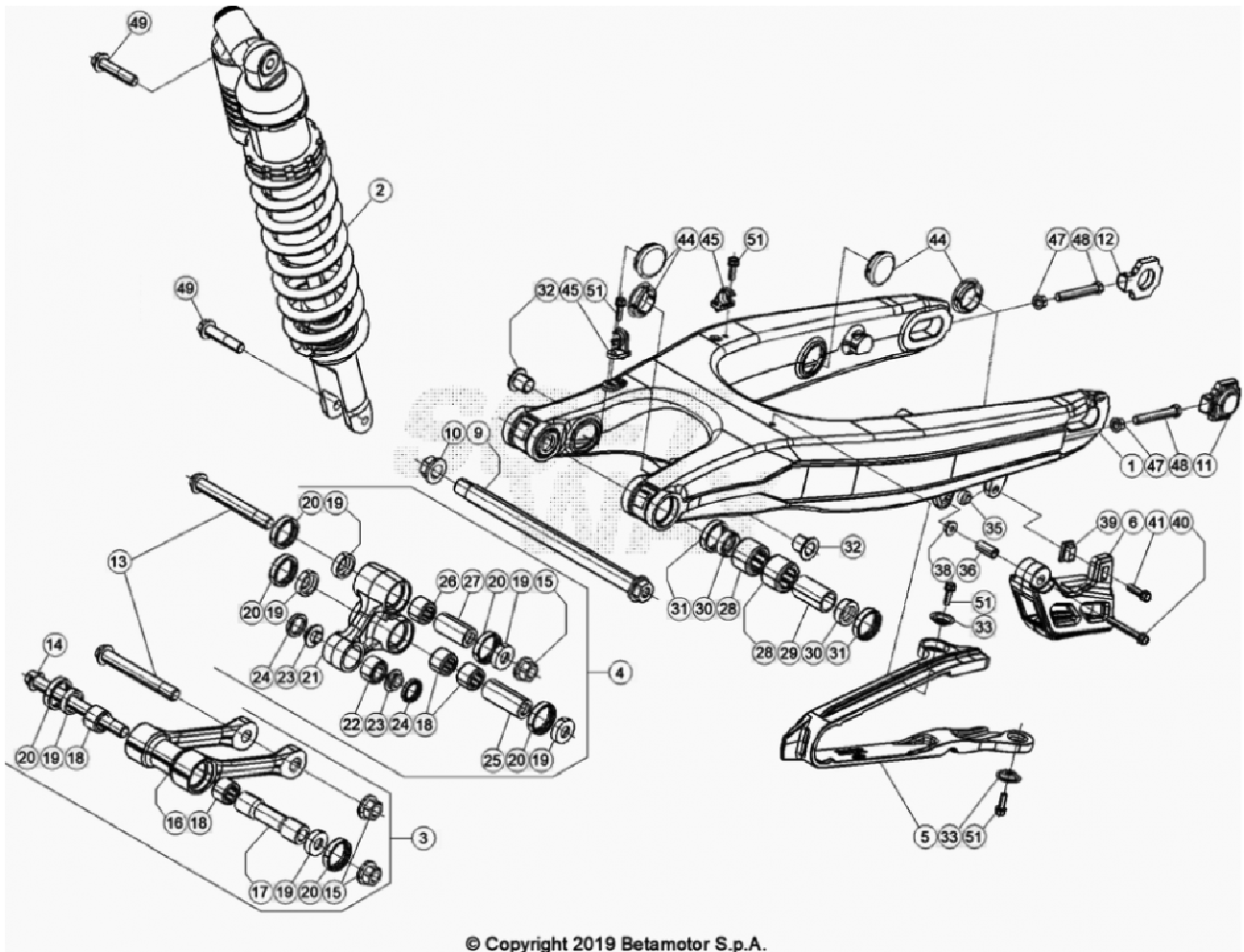
1

NEW



| Ref. | Part Number | Description | Parts |
|------|------------------|------------------------------------|-------|
| 1 | 037.33.000.80.00 | SHOCK ABSORBER RR 4T NEW | 1 |
| 2 | 037.33.009.00.00 | SHOCK ABSORBER BUMPER NEW | 1 |
| 3 | 037.33.010.00.00 | SHOCK ABSORBER FORK NEW | 1 |
| 4 | 1.386.078.800 | SHOCK ABSORBER SPACERS *SET* | 1 |
| 5 | 037.33.011.82.00 | GASKET - KIT NEW | 0 |
| 6 | 037.33.007.00.00 | SPRING CAP NEW | 1 |
| 7 | 026.33.020.00.00 | PISTON | 1 |
| 8 | 031.33.026.00.00 | SPRING K 5,4 N/MM | 1 |
| 9 | 026.33.019.00.00 | SHOCK ABSORBER ADJUSTING NUT - KIT | 1 |
| 10 | 026.33.012.00.00 | SHOCK ABSORBER GAS TANK | 1 |
| 11 | 026.33.013.00.00 | MEMBRANE | 1 |
| 12 | 026.33.014.00.00 | CAP | 1 |
| 13 | 037.33.013.00.00 | CAP | 1 |

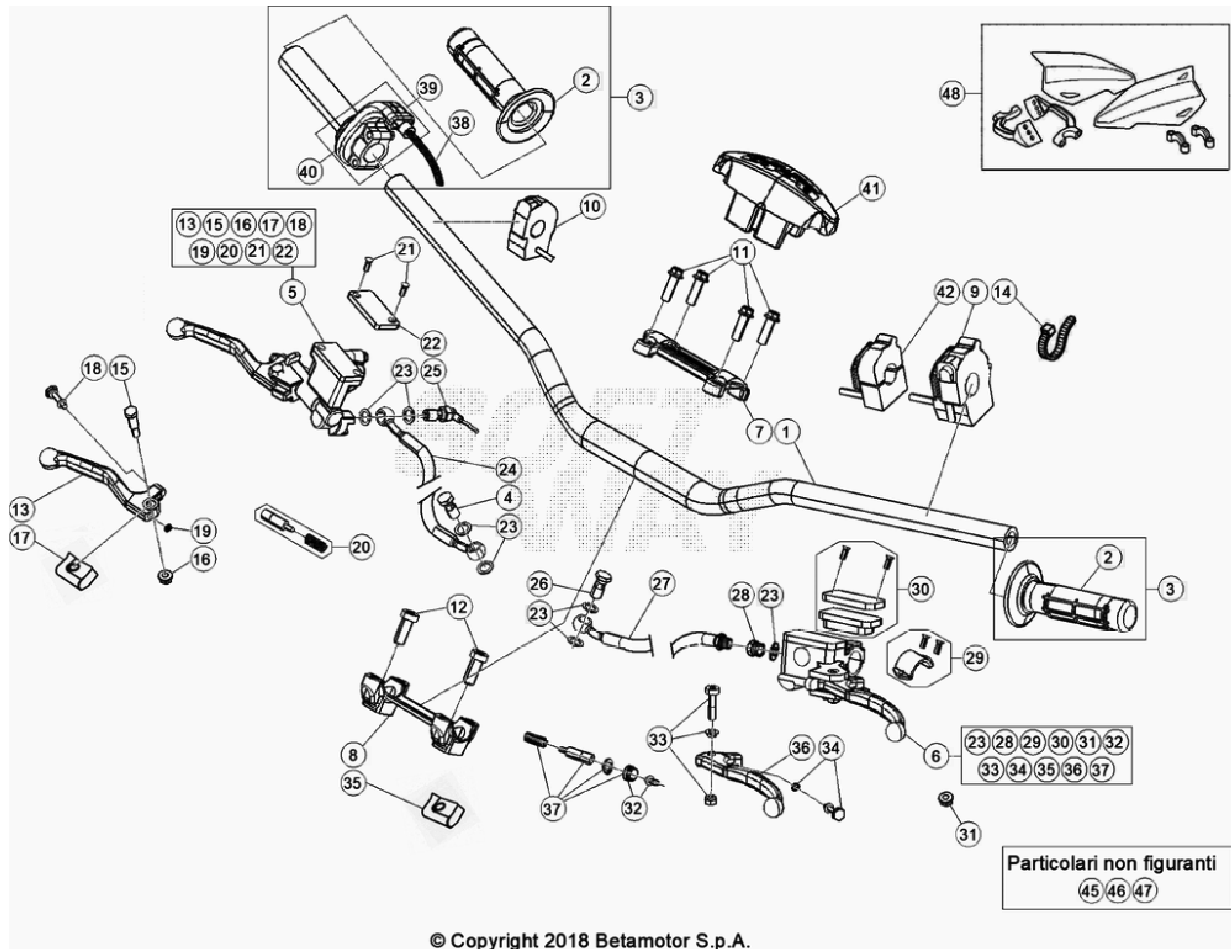
| | | | |
|----|------------------|---------------------|---|
| | | NEW | |
| 14 | 037.33.014.00.00 | SHOCK ABSORBER BODY | 1 |
| | | NEW | |
| 15 | 037.33.015.00.00 | SHOCK ABSORBER BODY | 1 |
| | | NEW | |
| 16 | 031.33.012.00.00 | WASHER | 1 |
| 17 | 026.33.021.00.00 | ADJUSTMENT | 1 |
| 18 | 031.33.014.00.00 | WASHER | 1 |
| 19 | 037.33.016.00.00 | FORK TUBE | 1 |
| | | NEW | |
| 20 | 037.33.017.00.00 | GUIDE | 1 |
| | | NEW | |
| 21 | 026.33.026.00.00 | CAP | 1 |
| 22 | 037.33.018.80.00 | FORK TUBE ASSY | 1 |
| | | NEW | |



| Ref. | Part Number | Description | Parts |
|------|------------------|---------------------------------|-------|
| 1 | 037.33.003.00.59 | SWINGARM BLACK RR NEW | 1 |
| 2 | 037.33.000.80.00 | SHOCK ABSORBER RR 4T NEW | 1 |
| 3 | 020.33.030.80.00 | CONNECTING ROD ASSY | 1 |
| 4 | 020.33.020.80.00 | RELAY ARM ASSY | 1 |
| 5 | 037.33.006.00.00 | CHAIN SLIDING PROTECTION NEW | 1 |
| 6 | 037.33.004.00.00 | CHAIN GUIDE NEW | 1 |
| 9 | 037.33.005.50.00 | SWINGARM PIVOT BOLT NEW | 1 |
| 10 | 037.33.008.50.00 | NUT NEW | 1 |
| 11 | 2.911.866.100 | LEFT CHAIN TIGHTENER, RR 4T | 1 |
| 12 | 2.911.865.100 | RIGHT CHAIN TIGHTENER, RR 4T | 1 |

| | | | |
|----|------------------|-----------------------------------|---|
| 13 | 1.163.992.000 | BOLT 12 . 1,25 . 96 | 2 |
| 14 | 020.33.032.00.00 | SPECIAL SCREW M12 X 1.25 X 124 | 1 |
| 15 | 1.321.130.000 | SELF-BLOCKING NUT 12.1,25 | 3 |
| 16 | 020.33.030.00.00 | CONNECTING ROD | 1 |
| 17 | 020.33.031.00.00 | SPACER, CONNECTING ROD | 1 |
| 18 | 1.122.055.000 | SEAL, 20 X 26 X 16 RR 4T | 4 |
| 19 | 2.814.083.000 | ROCKING LEVER CUP, RR 4T | 6 |
| 20 | 1.064.481.000 | OIL SEAL, 25X32X7 | 6 |
| 21 | 020.33.020.00.00 | RELAY ARM | 1 |
| 22 | 1.617.310.000 | SEAL 24.12.13 | 1 |
| 23 | 1.121.920.000 | BUSH | 2 |
| 24 | 1.056.020.000 | OIL SEAL 16.24.4 | 2 |
| 25 | 1.362.813.000 | SPACER, 12 X 20 X 50 | 1 |
| 26 | 1.122.061.000 | SEAL, 20 X 26 X 30 | 1 |
| 27 | 1.362.812.000 | SPACER, 12 X 20 X 40 | 1 |
| 28 | 1.122.056.000 | SEAL, 22 X 12 V | 4 |
| 29 | 1.349.183.000 | SPACER, SWINGING ARM VEM | 2 |
| 30 | 2.814.081.000 | RR4T SWINGING ARM PART | 4 |
| 31 | 1.064.481.000 | OIL SEAL, 25X32X7 | 4 |
| 32 | 020.33.001.00.00 | SWINGINGARM BUSH, RR 4T MY'10 | 2 |
| 33 | 2.774.786.000 | WASHER | 2 |
| 35 | 1.312.610.000 | SPECIAL NUT | 1 |
| 36 | 1.349.191.000 | SPACER | 1 |
| 38 | 1.313.020.000 | NUT 6, SELF-BLOCKING | 1 |
| 39 | 1.348.868.000 | SPACER | 1 |
| 40 | 1.150.535.000 | BOLT 6,45 | 1 |
| 41 | 1.149.070.000 | BOLT 6.20 | 1 |
| 44 | 2.910.596.136 | PLUG, PIVOT PINE SWING ARM (D.30) | 4 |
| 45 | 1.514.605.000 | CLAMP | 2 |
| 47 | 1.317.122.000 | NUT M8 | 2 |
| 48 | 1.155.909.000 | BOLT 8.55 | 2 |

| | | | |
|----|---------------|-----------------------|---|
| 49 | 1.162.050.000 | BOLT 10.45 1,25(10.9) | 2 |
| 51 | 1.146.251.000 | BOLT 5,12 | 4 |

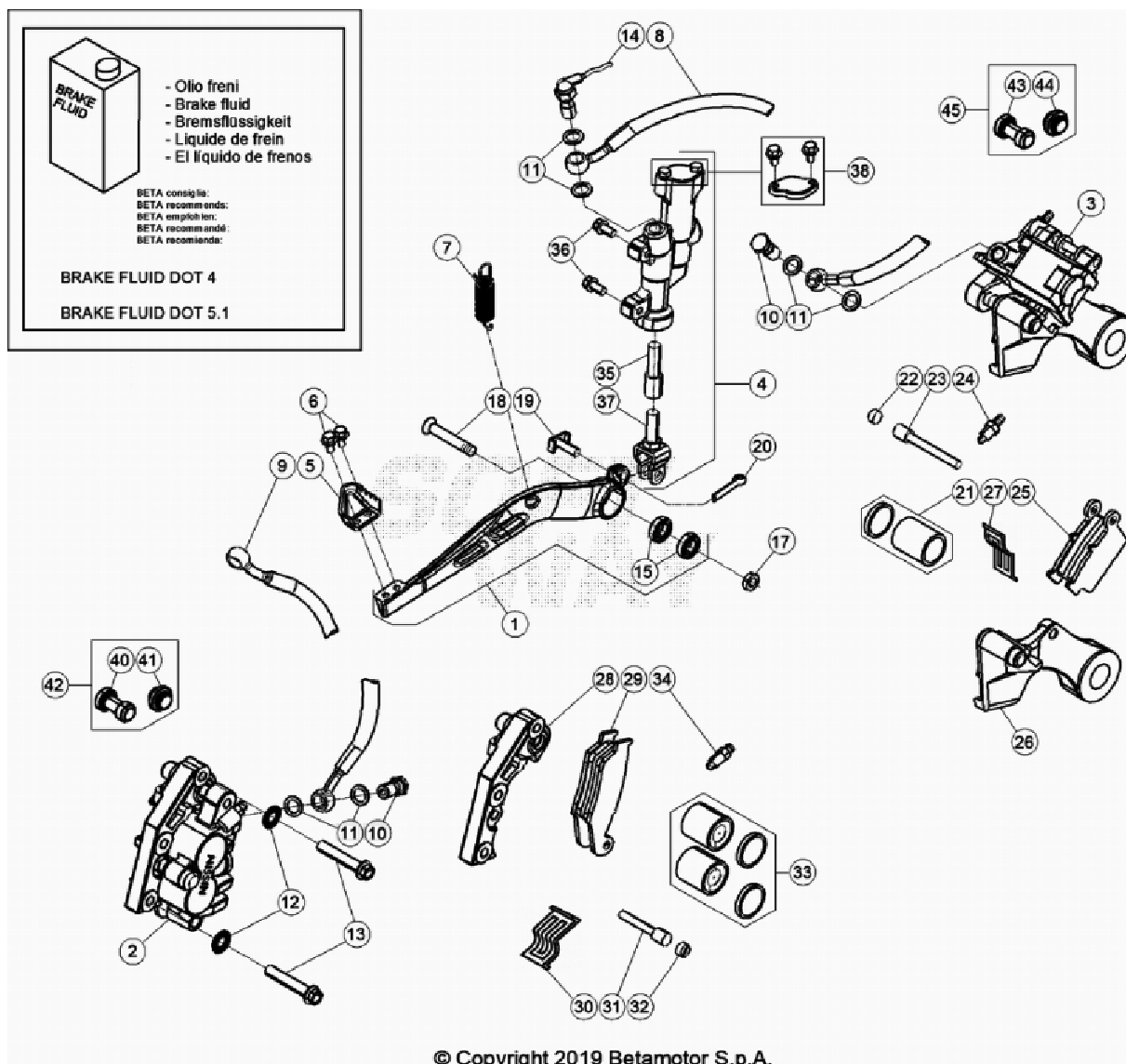


© Copyright 2018 Betamotor S.p.A.

| Ref. | Part Number | Description | Parts |
|------|------------------|--|-------|
| 1 | 037.35.000.00.59 | HANDLEBAR BLACK NEW | 1 |
| 2 | 036.35.005.00.00 | GRIPS (PAIR) | 0 |
| 3 | 037.35.001.80.00 | THROTTLE CONTROL WITH GRIPS RR 4T NEW | 0 |
| 4 | 037.35.004.82.00 | THROTTLE CABLE | 1 |
| 5 | 2.102.057.059 | FRONT BRAKE LEVER | 1 |
| 6 | 020.35.120.82.00 | CLUTCH LEVER, RR 4T | 1 |
| 7 | 1.208.253.000 | UPPER HANDLEBAR BRACKET, FORK15.08050 | 1 |
| 8 | 1.208.263.000 | LOWER HANDLEBAR BRACKET, FORK15.08050 | 1 |
| 9 | 016.35.010.00.00 | DEVICE, RR 4T | 1 |
| 10 | 026.40.047.00.00 | DEVICE | 1 |
| 11 | 3.164.070.000 | SCREW 8.30 | 4 |
| 12 | 3.165.626.000 | SCREW TCCE M10.25 SPECIAL HEAD | 2 |
| 13 | 2.127.104.000 | FRONT BRAKE LEVER ONLY (2102057) | 1 |

| | | | |
|----|------------------|--------------------------------------|---|
| 14 | 1.514.264.000 | WHITE CLAMP | 1 |
| 15 | 3.196.832.000 | RR4Y BRAKE LEVER SPECIAL SCREW | 1 |
| 16 | 1.330.911.000 | SPECIAL NUT BRAKE LEVER RR4T | 1 |
| 17 | 1.633.841.000 | GROMMET | 1 |
| 18 | 3.188.604.000 | BRAKE LEVER ADJUSTING SCREW | 1 |
| 19 | 2.238.704.000 | SPRING FOR BRAKE LEVER ADJUSTMENT | 1 |
| 20 | 2.008.258.000 | BRAKE PUMP PISTON ASSY | 1 |
| 21 | 3.123.410.052 | SCREW | 2 |
| 22 | 031.36.003.82.00 | REAR PLIER KIT | 1 |
| 23 | 1.650.510.000 | GASKET 10.15.1 COPPER | 7 |
| 24 | 037.36.002.00.00 | BRAKE HOSE NEW | 1 |
| 25 | 1.889.621.000 | STOP SWITCH, M10 X 1,25 | 1 |
| 26 | 1.165.040.000 | SPECIAL BOLT | 1 |
| 27 | 037.35.003.00.00 | CLUTCH HOSE RR 4T NEW | 1 |
| 28 | 020.35.032.00.00 | JOINT.P. | 1 |
| 29 | 020.35.025.00.00 | CLAMP, CLUTCH CONTROL LEVER | 1 |
| 30 | 020.35.023.00.00 | RESERVOIR CAP, CLUTCH CONTROLLEVER | 1 |
| 31 | 020.35.028.00.00 | ANTI-BUBBLE, CLUTCH CONTROL LEVER | 1 |
| 32 | 020.35.029.00.00 | PUSH-ROD, CLUTCH CONTROL LEVER | 1 |
| 33 | 020.35.024.00.00 | LEVER PIN, CLUTCH CONTROL LEVER | 1 |
| 34 | 020.35.030.00.00 | SPRING GUIDE, CLUTCH CONTROL LEVER | 1 |
| 35 | 020.35.027.00.00 | DUST COVER, CLUTCH CONTROL LEVER | 1 |
| 36 | 020.35.022.00.00 | LEVER, CLUTCH CONTROL LEVER | 1 |
| 37 | 020.35.026.00.00 | PISTON SET, CLUTCH CONTROL LEVER | 1 |
| 38 | 1.165.053.000 | RR4T BRAKE TUBE M10X25 BOLT | 1 |
| 39 | 031.35.013.00.00 | GUARD | 1 |
| 40 | 037.43.016.00.59 | HANDLEBAR PROTECTION BLACK RR NEW | 1 |
| 42 | 008.35.003.00.00 | COVER | 1 |
| 44 | 1.230.100.000 | HOLDER WITH MIRROR CONNECTION | 1 |

| | | | |
|----|------------------|-----------|---|
| 45 | 2.892.927.000 | RH MIRROR | 1 |
| 46 | 031.35.008.00.00 | MIRROR | 1 |
| 47 | 031.35.014.00.00 | HOSE | 1 |

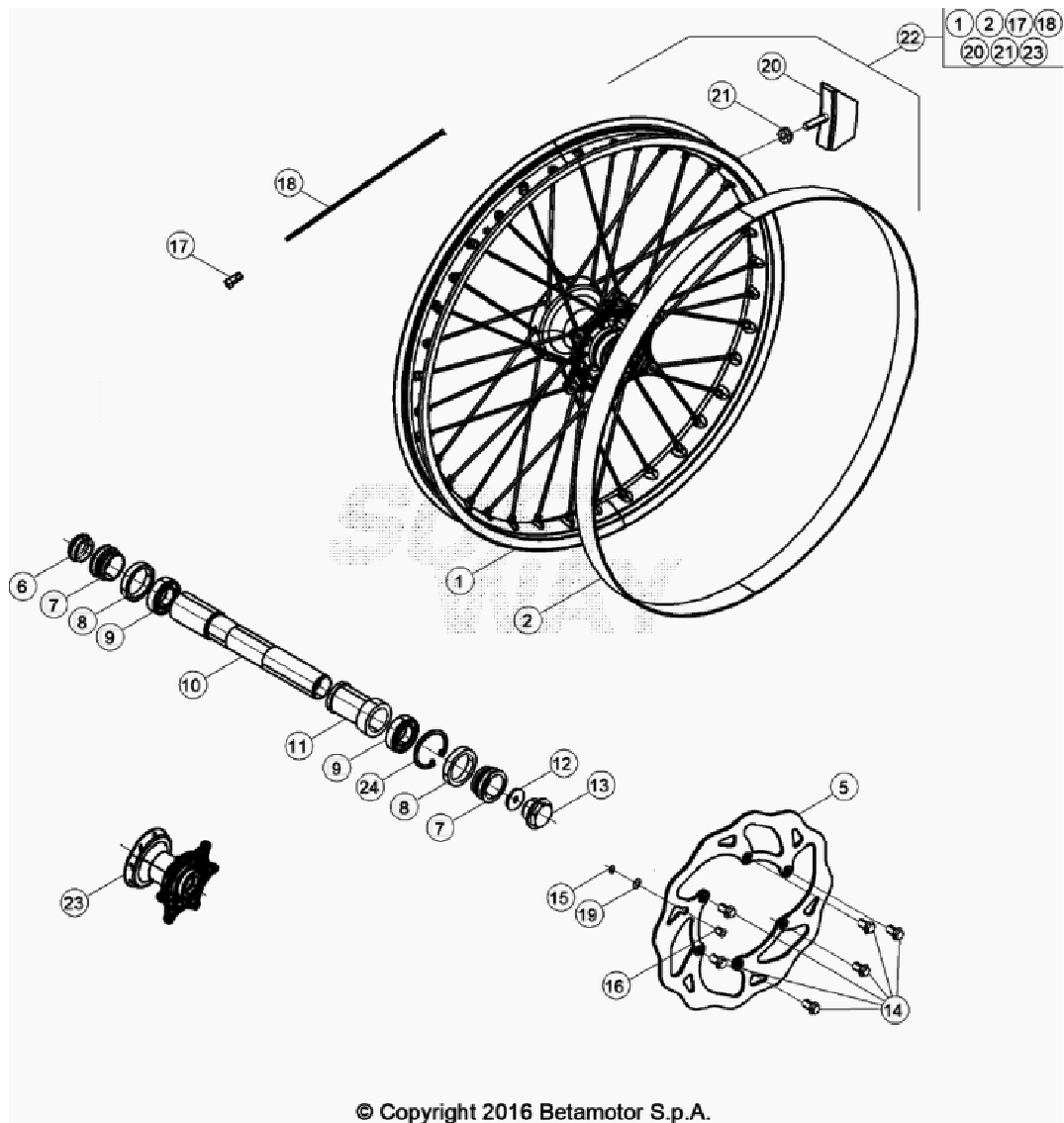


© Copyright 2019 Betamotor S.p.A.

| Ref. | Part Number | Description | Parts |
|------|------------------|---------------------------------|-------|
| 1 | 037.36.004.80.00 | FOOT BRAKE LEVER NEW | 1 |
| 2 | 2.503.056.000 | FRONT DISC BRAKE CALIPER, RR 4T | 1 |
| 3 | 2.503.066.000 | REAR DISC BRAKE CALIPER, RR 4T | 1 |
| 4 | 2.591.178.000 | PUMP, REAR BRAKE | 1 |
| 5 | 2.290.053.000 | FOOTREST HUB, RR 4T | 1 |
| 6 | 1.146.251.000 | BOLT 5,12 | 2 |
| 7 | 037.36.003.00.00 | SPRING NEW | 1 |
| 8 | 2.909.428.000 | REAR BRAKE HOSE, RR 4T '07 | 1 |
| 9 | 037.36.002.00.00 | BRAKE HOSE NEW | 1 |

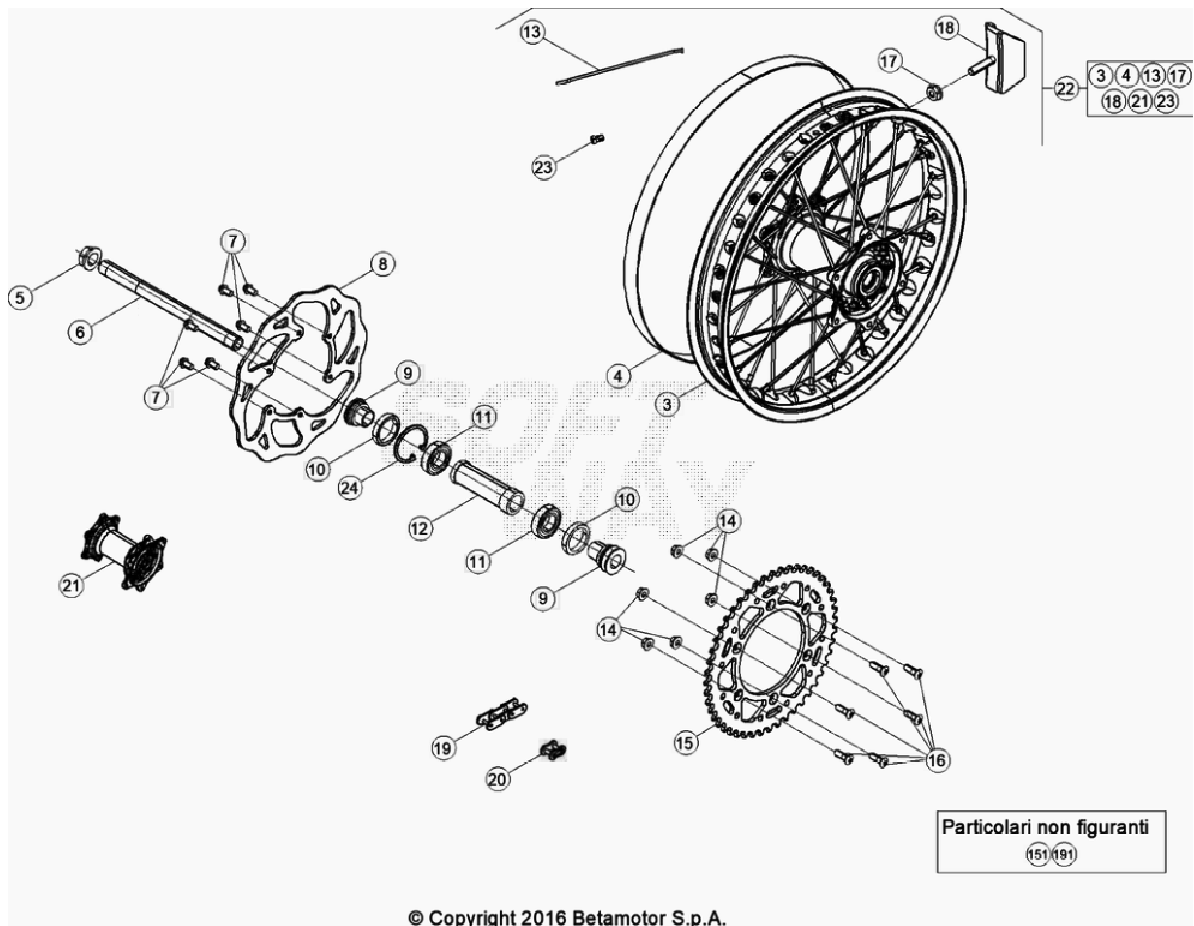
| | | | |
|----|------------------|--|---|
| 10 | 1.165.053.000 | RR4T BRAKE TUBE M10X25 BOLT | 2 |
| 11 | 1.650.510.000 | GASKET 10.15.1 COPPER | 6 |
| 12 | 2.524.442.000 | FAIR LEAD, 6/8 | 1 |
| 13 | 1.155.510.000 | BOLT 8.40 | 2 |
| 14 | 1.889.621.000 | STOP SWITCH, M10 X 1,25 | 1 |
| 15 | C06.01.047.00.00 | BEARING 10X26X8 - 2RSH NEW | 2 |
| 17 | 1.321.060.000 | NUT, M10X1,25 H.8.5 14MM SELF-LOCKING | 1 |
| 18 | 037.36.001.00.00 | SPECIAL BOLT M10x1,25x35 NEW | 1 |
| 19 | 2.541.830.000 | PIN | 1 |
| 20 | 1.281.995.000 | CLIP 2.15 INOX | 1 |
| 21 | 2.002.717.000 | PISTON & OIL SEAL KIT FOR PLIERS 2503066 | 1 |
| 22 | 3.196.821.000 | PIN PLUG, FOR 2503056/2503066 | 1 |
| 23 | 2.541.860.000 | PIN HANGER, FOR 25.03066.000 | 1 |
| 24 | 2.891.002.000 | BREATHER PIPE | 1 |
| 25 | 2.525.362.000 | BRAKE PADS | 1 |
| 26 | 020.36.011.00.00 | REAR BRAKE CALIPER BRACKET ASSY | 1 |
| 27 | 2.232.208.000 | BRAKE PADS SPRING FOR PLIERS | 1 |
| 28 | 020.36.012.00.00 | FRONT BRAKE CALIPER BRACKET ASSY | 1 |
| 29 | 2.525.365.000 | BRAKE PADS | 1 |
| 30 | 2.232.207.000 | BRAKE PADS SPRING FOR PLIERS | 1 |
| 31 | 2.541.859.000 | PIN HANGER, FOR 25.03056.000 | 1 |
| 32 | 3.196.821.000 | PIN PLUG, FOR 2503056/2503066 | 1 |
| 33 | 2.002.716.000 | PISTON & OIL SEAL KIT FOR PLIERS 2503056 | 1 |
| 34 | 2.891.001.000 | BREATHER PIPE | 1 |
| 35 | 2.008.276.000 | KIT PISTON, BRAKE PUMP 25.91178 | 1 |
| 36 | 3.130.750.000 | SCREW 6.16 | 2 |
| 37 | 2.008.277.000 | KIT LEVER, BRAKE PUMP 25.91178 | 1 |
| 38 | 2.008.275.000 | KIT, BRAKE PUMP TANK 25.91178 | 1 |
| 40 | 036.36.002.00.00 | PROTECTOR | 1 |
| 41 | 036.36.003.00.00 | PROTECTOR | 1 |

| | | | |
|----|------------------|-----------------|---|
| 42 | 036.36.006.82.00 | FRONT PROTECTOR | 1 |
| 43 | 036.36.004.00.00 | PROTECTOR | 1 |
| 44 | 036.36.005.00.00 | PROTECTOR | 1 |
| 45 | 036.36.007.82.00 | REAR PROTECTOR | 1 |



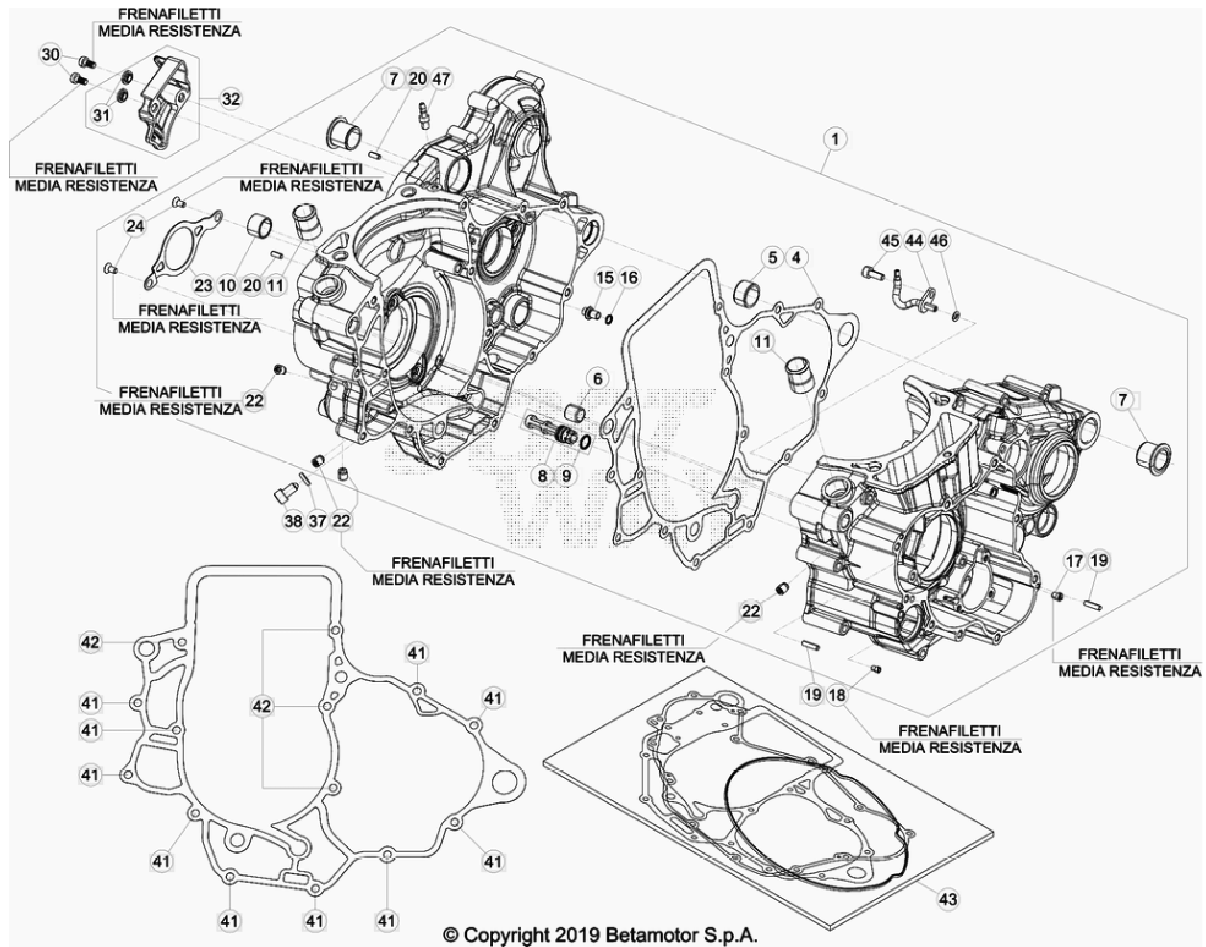
| Ref. | Part Number | Description | Parts |
|------|------------------|---------------------------------------|-------|
| 1 | 031.41.046.00.59 | RIM | 1 |
| 2 | 1.538.200.000 | BEAD 21.25 | 1 |
| 5 | 031.41.030.00.00 | FRONT BRAKE DISK, RR 4T | 1 |
| 6 | 020.41.007.00.00 | PLUG, FRONT WHEEL SPINDLE RR 4T MY'11 | 1 |
| 7 | 031.41.004.00.00 | HUB SPACER, RR 4T | 2 |
| 8 | 1.066.000.000 | SEAL 35.47.7 | 2 |
| 9 | 020.41.003.00.00 | SEAL 30.47.9 | 2 |
| 10 | 020.41.005.00.00 | FRONT WHEEL SPINDLE, RR 4T MY'11 | 1 |
| 11 | 031.41.015.00.00 | FRONT HUB INNER SPACER, RR 4T | 1 |
| 12 | 020.41.110.00.00 | PLUG | 1 |
| 13 | 020.41.006.00.00 | PLUG, FRONT WHEEL SPINDLE RR 4T MY'11 | 1 |

| | | | |
|----|------------------|------------------------|----|
| 14 | 031.41.016.00.00 | DISK SPEC. SCREW M6X14 | 6 |
| 15 | 2.822.660.000 | SEEGER 9E | 1 |
| 16 | 021.41.005.00.00 | MAGNET | 1 |
| 17 | 031.41.050.00.00 | NIPPLE | 36 |
| 18 | 031.41.049.00.52 | SPOKE | 36 |
| 19 | 2.758.080.000 | WASHER 9 . 13 . 0,4 | 1 |
| 20 | 036.41.010.00.00 | TIRE FASTENER | 1 |
| 21 | 1.317.120.000 | NUT M8 | 1 |
| 22 | 026.41.001.00.59 | FRONT WHEEL | 1 |
| 23 | 031.41.014.80.00 | FRONT HUB, RR 4T | 1 |
| 24 | C01.26.001.00.00 | CHECK RING 47X1,75 | 1 |



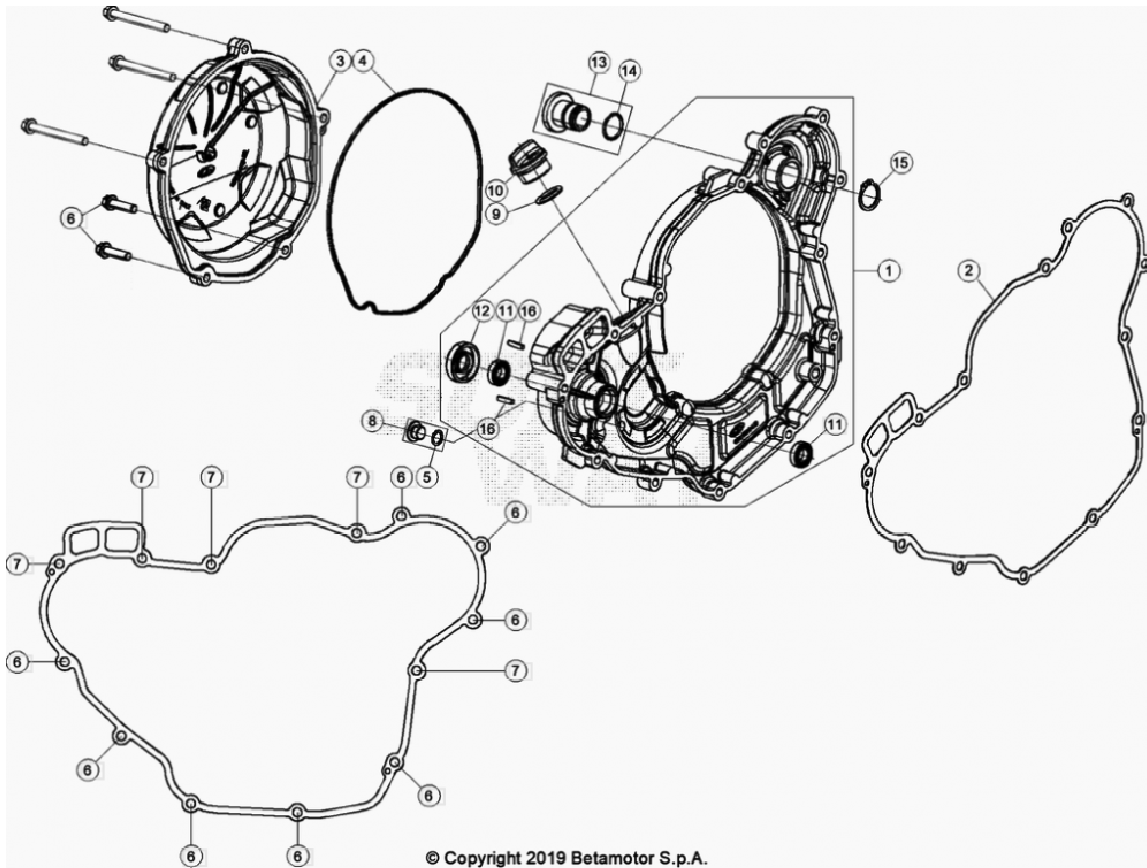
| Ref. | Part Number | Description | Parts |
|------|------------------|------------------------------|-------|
| 3 | 031.42.034.00.59 | RIM | 1 |
| 4 | 1.536.000.000 | BEAD 17/18.25 | 1 |
| 5 | 1.327.120.000 | SPECIAL NUT | 1 |
| 6 | 2.555.812.000 | REAR WHEEL SPINDLE, RR 4T | 1 |
| 7 | 031.41.016.00.00 | DISK SPEC. SCREW M6X14 | 6 |
| 8 | 031.42.030.00.00 | BRAKE DISK, RR 4T | 1 |
| 9 | 031.42.002.00.00 | LH HUB SPACER, RR 4T | 2 |
| 10 | 1.066.000.000 | SEAL 35.47.7 | 2 |
| 11 | 020.42.004.00.00 | SEAL 25.47.12 | 2 |
| 12 | 031.42.005.00.00 | INNER SPACER | 1 |
| 13 | 031.42.037.00.52 | SPOKE | 36 |
| 14 | 1.317.123.000 | NUT M8, (DIN 6927) | 6 |
| 15 | 031.42.039.00.00 | REAR SPROCKET, Z.50 | 1 |
| 16 | 3.196.827.000 | SCREW, SPEC. TGS TORXS M8X26 | 6 |

| | | | |
|-----|------------------|-------------------------------------|----|
| 17 | 1.317.120.000 | NUT M8 | 1 |
| 18 | 036.42.009.00.00 | TIRE FASTENER | 1 |
| 19 | 037.42.001.00.00 | CHAIN 5/8 1/4 P.116 NEW | 1 |
| 20 | 031.42.008.00.00 | CHAIN-5/8.1/4 LINK | 1 |
| 21 | 031.42.014.80.00 | REAR HUB, RR4T | 1 |
| 22 | 026.42.008.00.59 | REAR WHEEL | 1 |
| 23 | 031.42.051.00.00 | NIPPLE | 36 |
| 24 | C01.26.001.00.00 | CHECK RING 47X1,75 | 1 |
| 151 | 031.42.028.00.00 | REAR SPROCKET, Z.45 | 1 |
| 191 | 037.42.002.00.00 | CHAIN 5/8 1/4 P.114 RR 4T EU NEW | 1 |



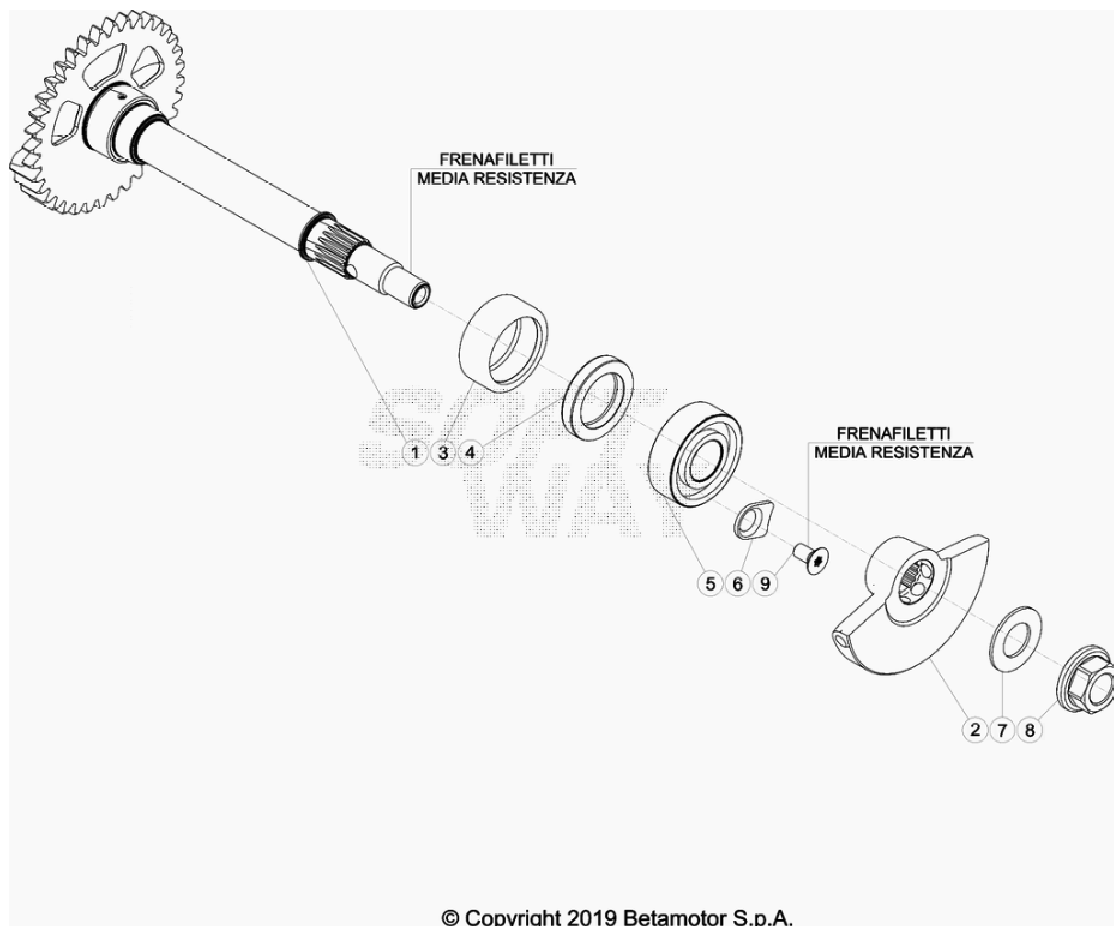
| Ref. | Part Number | Description | Parts |
|------|------------------|---------------------------------------|-------|
| 1 | 037.01.014.80.00 | ENGINE CASE RR 4T NEW | 1 |
| 4 | 037.01.003.00.00 | ENGINE CASE GASKET NEW | 1 |
| 5 | 006.01.012.00.00 | BUSH (BACK) 17.21.12 | 1 |
| 6 | 1.641.500.000 | DOWEL 10,5.13.13 | 1 |
| 7 | 006.01.011.00.00 | DOWEL 17.21.19 | 2 |
| 8 | 006.08.053.80.00 | OILSIEVE (CRANKCASE) | 1 |
| 9 | 1.050.010.000 | OIL SEAL 8.1,5 | 1 |
| 10 | 037.01.010.00.00 | BUSH LR15X18X12,5 NEW | 1 |
| 11 | 006.11.108.00.00 | CONNECTION NOZZLE M20.1,5 | 2 |
| 15 | 029.01.024.80.00 | OIL JET ASSY | 1 |
| 16 | 1.066.139.000 | OIL SEAL 6 . 1,5 -VITON- | 1 |
| 17 | 1.642.903.000 | JET 100, BREATHING, LUBRICATION CRANK | 1 |

| | | | |
|----|------------------|---------------------------------------|----|
| 18 | 1.642.904.000 | JET 100, BREATHING, LUBRICATION CRANK | 1 |
| 19 | 1.293.384.000 | NEEDLE ROLL 4.15,8 G2 NBR | 2 |
| 20 | 3.625.021.000 | NEEDLE ROLLER 4,0 X 9,8 | 2 |
| 22 | 006.01.021.00.00 | SEALING OIL PLUG 73X9 | 4 |
| 23 | 006.01.018.00.09 | RETAINIG PLATE (SHAFT SEAL RIGHT) | 1 |
| 24 | 3.130.085.000 | TORX SCREW M5X10 8.8 | 2 |
| 30 | C24.24.047.00.00 | SCREW 5.12 | 2 |
| 31 | 006.08.081.00.00 | DISTANCE BUSH | 2 |
| 32 | 037.08.003.80.00 | TANK PANEL NEW | 1 |
| 37 | 029.01.026.00.00 | CU-COPPER WASHER 8.14.5 | 1 |
| 38 | 029.01.025.00.00 | LOCATING SCREW | 1 |
| 41 | 1.105.485.000 | BOLT 6.60 | 10 |
| 42 | C24.31.041.00.00 | BOLT 6.70 | 4 |
| 43 | 037.01.018.82.00 | ENGINE CASE GASKET - KIT RR 4T NEW | 1 |
| 44 | 029.01.021.00.00 | COOLING OIL JET | 1 |
| 45 | 3.126.790.000 | SCREW 4.10 | 1 |
| 46 | C02.06.054.00.00 | O-RING 3.5 , 1.5 | 1 |
| 47 | 2.900.280.000 | COUPLING | 1 |

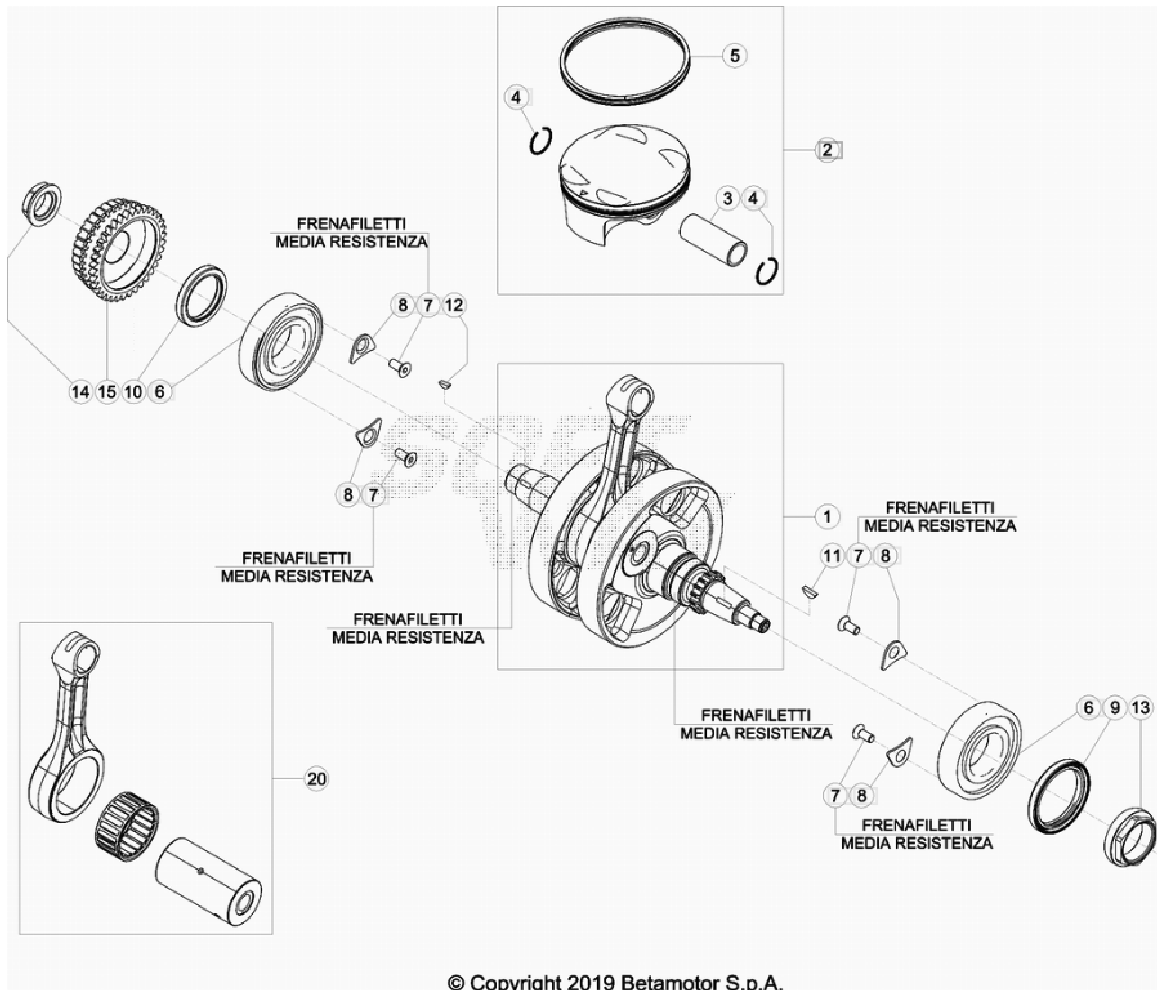


| Ref. | Part Number | Description | Parts |
|------|------------------|-----------------------------|-------|
| 1 | 037.01.004.80.00 | CLUTCH COVER RR 4T NEW | 1 |
| 2 | 037.01.005.00.00 | COVER GASKET NEW | 1 |
| 3 | 037.01.006.80.52 | CLUTCH COVER NEW | 1 |
| 4 | 037.01.007.00.00 | COVER GASKET NEW | 1 |
| 5 | 1.050.010.000 | OIL SEAL 8.1,5 | 1 |
| 6 | 1.150.010.000 | BOLT 6.25 | 10 |
| 7 | 1.105.485.000 | BOLT 6.60 | 5 |
| 8 | 006.11.045.80.00 | SEALING PLUG (SHAFT FINGER) | 1 |
| 9 | 1.066.340.000 | OIL SEAL 16.3 | 1 |
| 10 | 2.909.601.000 | OIL FILLER PLUG | 1 |
| 11 | 1.293.400.000 | BALL BEARING 10.19.5 | 2 |
| 12 | 1.048.030.000 | OIL SEAL 12.30.7 | 1 |
| 13 | 037.01.017.80.59 | CAP | 1 |

| NEW | | | |
|-----|---------------|---------------------------|---|
| 14 | 1.066.321.000 | OIL SEAL | 1 |
| 15 | 3.300.070.000 | SEEGER D.19 | 1 |
| 16 | 1.293.384.000 | NEEDLE ROLL 4.15,8 G2 NBR | 2 |

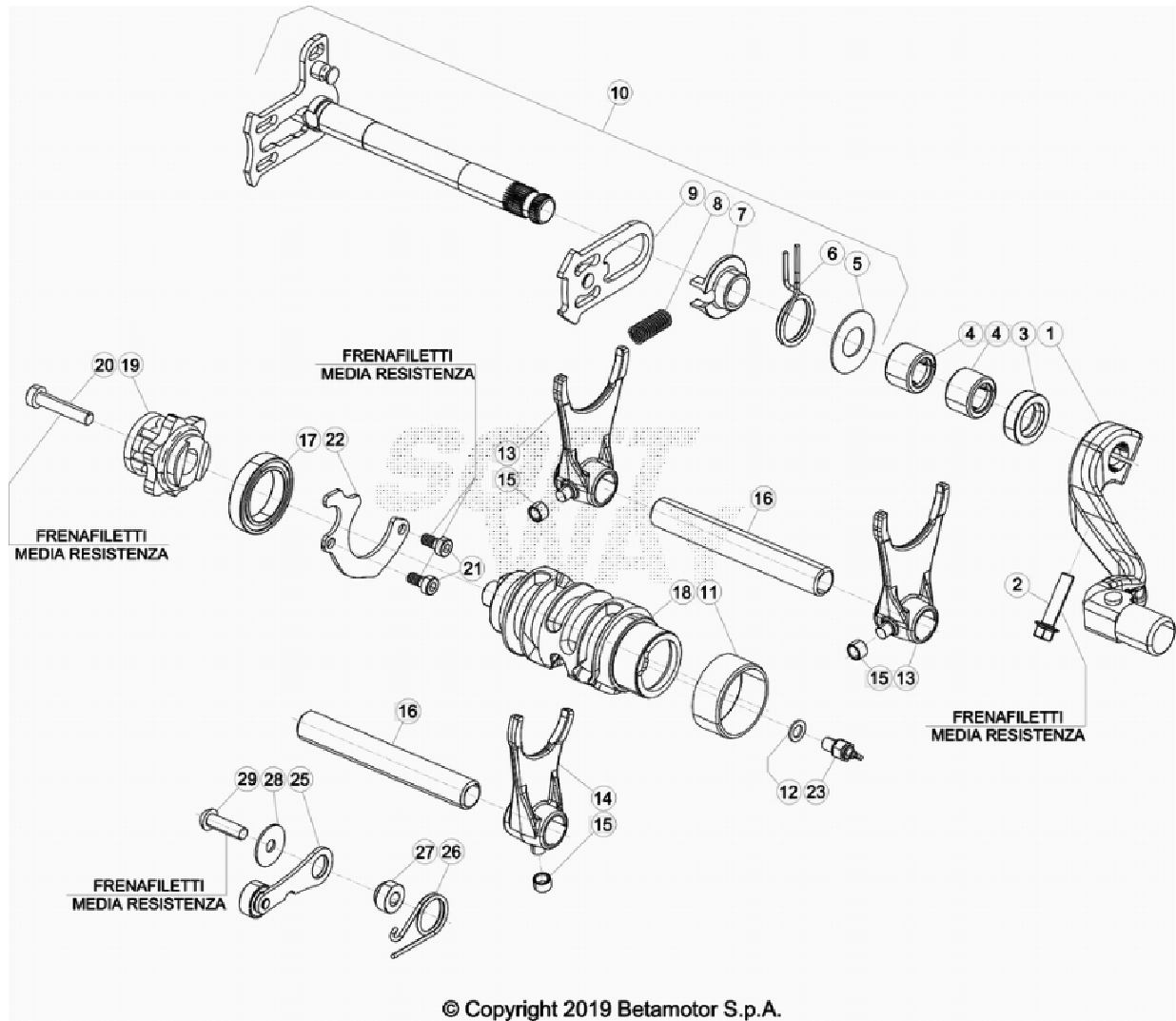


| Ref. | Part Number | Description | Parts |
|------|------------------|---------------------------------------|-------|
| 1 | 029.02.020.00.00 | BALANCER SHAFT | 1 |
| 2 | 029.02.021.00.00 | BALANCER SHAFT WEIGHT | 1 |
| 3 | C06.14.019.00.00 | NEEDLE BEARING, 25.33.15 (HMK2515C) | 1 |
| 4 | 1.064.490.000 | OIL SEAL 20.30.5/6 TCYJ TF | 1 |
| 5 | C06.01.034.00.00 | BALL BEARING 15.32.9 NTN 6002LLUC3/5K | 1 |
| 6 | 006.01.016.00.00 | RETAINIG PLATE MAINBEARING | 1 |
| 7 | 2.774.810.000 | SPRING WASHER DIN137 B12 FST | 1 |
| 8 | 1.325.010.000 | NUT | 1 |
| 9 | C24.90.002.00.00 | TORX SCREW M6X12 - 10.9/12.9 | 1 |



| Ref. | Part Number | Description | Parts |
|------|------------------|------------------------------|-------|
| 1 | 037.02.100.80.00 | CRANKSHAFT NEW | 1 |
| 2 | 028.02.151.80.01 | PISTON D88 - 1 | 1 |
| 3 | 027.02.051.00.00 | PISTON PIN | 1 |
| 4 | 022.02.052.00.00 | CIRCLIP | 2 |
| 5 | 027.02.011.82.00 | PISTON RING D88 - KIT | 1 |
| 6 | 1.299.700.000 | SEAL 35.72.17 C4 | 2 |
| 7 | C24.90.002.00.00 | TORX SCREW M6X12 - 10.9/12.9 | 4 |
| 8 | 006.01.016.00.00 | RETAINIG PLATE MAINBEARING | 4 |
| 9 | 1.066.085.000 | OIL SEAL 45.58.6 SCJ (KOK) | 1 |
| 10 | 1.065.900.000 | OIL SEAL 35.47.6 TCJ | 1 |
| 11 | 1.246.020.000 | KEY 3.5 | 1 |
| 12 | 1.246.000.000 | WOODRUFF KEY 3.3,7,9,7 | 1 |
| 13 | 022.02.011.00.00 | NUT M32X1 (CRANKSHAFT) | 1 |

| | | | |
|----|------------------|------------------------------|---|
| 14 | 006.03.023.00.00 | NUT M20X1,5LH (PRIMARY GEAR) | 1 |
| 15 | 022.03.021.80.00 | CHAIN SPROCKET MEM88 | 1 |
| 20 | 027.02.008.80.00 | CONNECTING ROD ASSY | 1 |

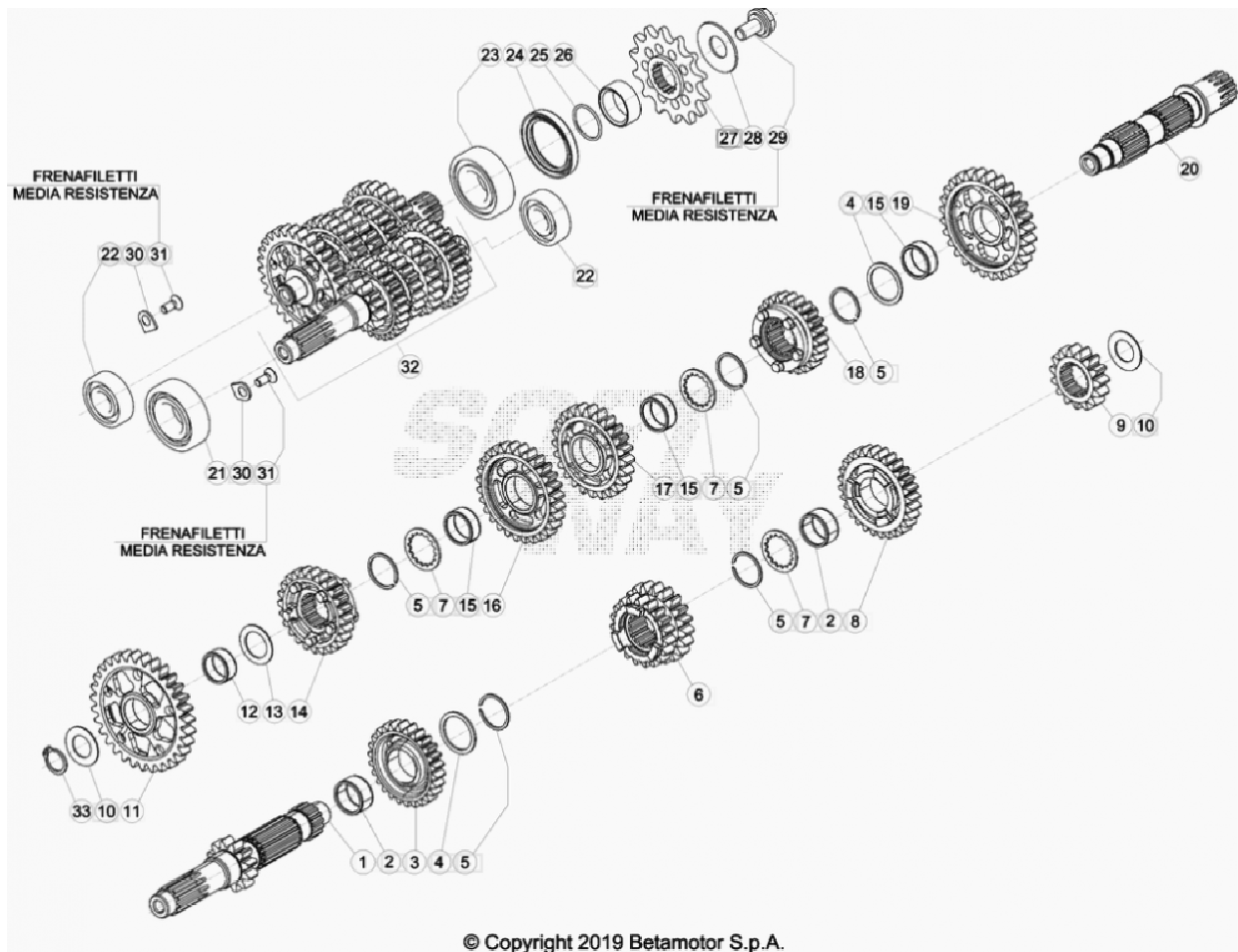


© Copyright 2019 Betamotor S.p.A.

| Ref. | Part Number | Description | Parts |
|------|------------------|---------------------------------|-------|
| 1 | 037.05.007.80.00 | GEAR SHIFT LEVER RR 4T NEW | 1 |
| 2 | 1.150.010.000 | BOLT 6.25 | 1 |
| 3 | 1.052.012.000 | OIL SEAL 14.24.6 B1SL | 1 |
| 4 | 1.122.320.000 | NEEDLE BEARING HK1414RS | 2 |
| 5 | 2.763.020.000 | WASHER 14.30.1 | 1 |
| 6 | 006.05.017.00.00 | GEAR BOX RETURN SPRING | 1 |
| 7 | 1.692.911.000 | SPRING GUIDE | 1 |
| 8 | 006.05.016.00.00 | SPRING BOLT 0,8MM | 1 |
| 9 | 006.05.014.80.00 | MOVEABLE PLATE ASSY (WITH BOLT) | 1 |
| 10 | 037.05.003.80.00 | SHIFTING SHAFT NEW | 1 |
| 11 | 037.01.013.00.00 | BUSHING 32X36X15 | 1 |

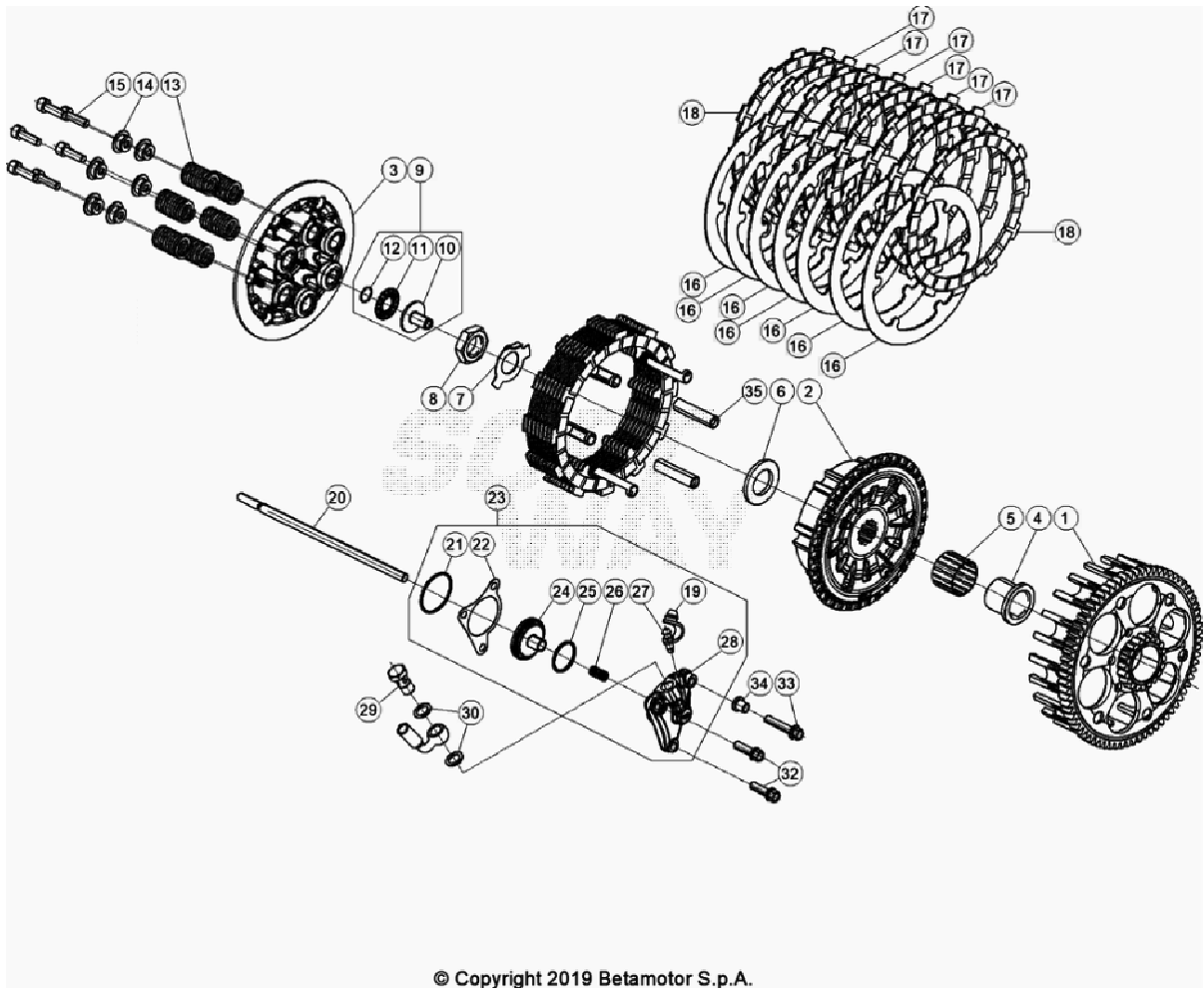
NEW

| | | | |
|----|------------------|-----------------------|---|
| 12 | 1.650.510.000 | GASKET 10.15.1 COPPER | 1 |
| 13 | 006.05.020.00.00 | FORK 1/4 GEAR | 2 |
| 14 | 037.05.005.00.00 | GEAR SELECTOR FORK | 1 |
| | | NEW | |
| 15 | 006.05.027.00.00 | BUSHING 6.8.5,2 | 3 |
| 16 | 026.05.025.00.00 | SPINDLE (FORKS) | 2 |
| 17 | 1.293.405.000 | SEAL 61805-2RS1 | 1 |
| 18 | 037.05.001.00.00 | GEARSHIFT CAM | 1 |
| | | NEW | |
| 19 | 029.05.001.80.00 | DETENT CAM ALU ASSY | 1 |
| 20 | 3.145.115.000 | SCREW M6X30 DIN 6912 | 1 |
| 21 | C24.24.047.00.00 | SCREW 5.12 | 2 |
| 22 | 037.05.002.00.00 | FIXING PLATE | 1 |
| | | NEW | |
| 23 | 037.05.006.00.00 | NEUTRAL GEAR SENSOR | 1 |
| | | NEW | |
| 25 | 029.05.050.80.00 | DETENT LEVER ASSY | 1 |
| 26 | 2.239.591.000 | LEVER SPRING | 1 |
| 27 | 029.05.054.00.00 | SPACER (DETENT LEVER) | 1 |
| 28 | 2.742.000.100 | WASHER 6.20.1,0 | 1 |
| 29 | 3.130.780.000 | SCREW 6.20 | 1 |



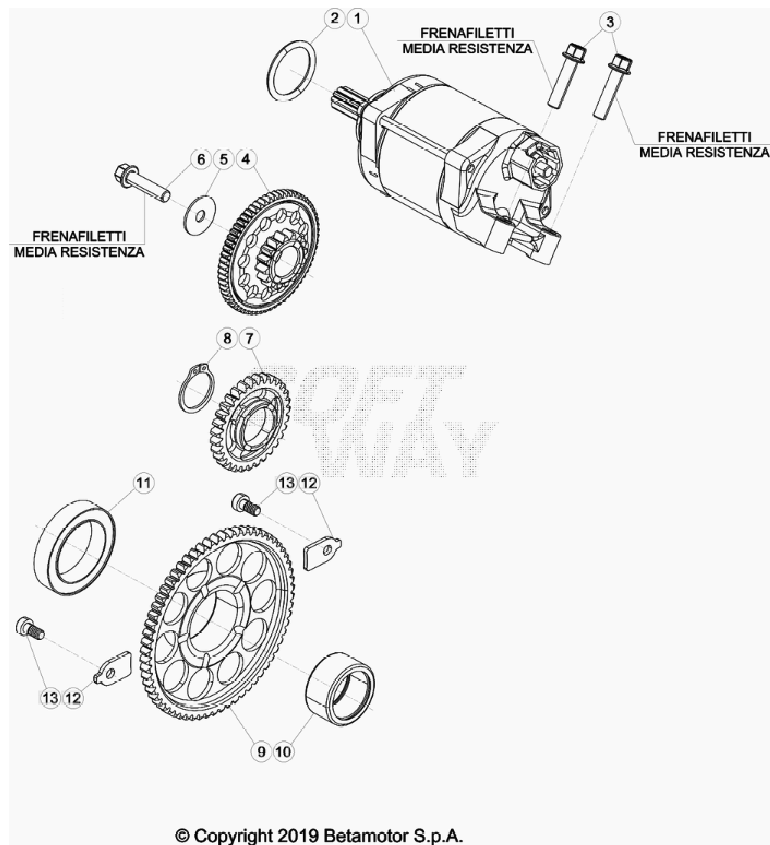
| Ref. | Part Number | Description | Parts |
|------|------------------|---|-------|
| 1 | 006.04.011.00.00 | MAINSHAFT NEW | 1 |
| 2 | 1.122.855.000 | NEEDLE BEARING K 22.26.13 TN (SPLITTED) | 2 |
| 3 | 006.04.015.00.00 | 5°GEAR MAINSHAFT | 1 |
| 4 | 006.04.031.00.00 | THRUST WASHER 26.32.1,5 | 2 |
| 5 | 2.825.520.000 | SEEGER 25 SW | 5 |
| 6 | 006.04.013.00.00 | 3/4°GEAR MAINSHAFT | 1 |
| 7 | 006.04.030.00.00 | THRUST WASHER 23.32.1,5 | 3 |
| 8 | 006.04.016.00.00 | 6°GEAR MAINSHAFT | 1 |
| 9 | 006.04.012.00.00 | 2°GEAR MAINSHAFT | 1 |
| 10 | 006.04.032.00.00 | THRUST WASHER 17.30.1 | 2 |
| 11 | 006.04.021.00.00 | 1°GEAR COUNTERSHAFT | 1 |
| 12 | 1.122.835.000 | NEEDLE BEARING K 20.24.10 | 1 |
| 13 | 006.04.033.00.00 | THRUST WASHER 20.30.1 | 1 |

| | | | |
|----|------------------|---|---|
| 14 | 006.04.025.00.00 | 5°GEAR COUNTERSHAFT | 1 |
| 15 | 1.122.845.000 | NEEDLE BEARING K 20.24.10 (SPLITTED) | 3 |
| 16 | 006.04.023.00.00 | 3°GEAR COUNTERSHAFT | 1 |
| 17 | 006.04.024.00.00 | 4°GEAR COUNTERSHAFT | 1 |
| 18 | 006.04.026.00.00 | 6°GEAR COUNTERSHAFT | 1 |
| 19 | 006.04.022.00.00 | 2°GEAR COUNTERSHAFT | 1 |
| 20 | 037.04.001.00.00 | GEARBOX COUNTERSHAFT NEW | 1 |
| 21 | 1.295.610.000 | SEAL (6205) C3 | 1 |
| 22 | 1.295.605.000 | SEAL (6203) JR2 C3 | 2 |
| 23 | 1.299.710.000 | SEAL NJ205 | 1 |
| 24 | 1.066.020.000 | OIL SEAL 32.45.7 BSL | 1 |
| 25 | 1.066.620.000 | OIL SEAL | 1 |
| 26 | 006.04.040.00.00 | DISTANCE BUSH | 1 |
| 27 | 006.04.050.00.00 | PINION | 1 |
| 28 | 006.04.041.00.00 | SPROCKET FIXING DISK SPRING 17,2.40.1,5 | 1 |
| 29 | 006.04.042.00.00 | SCREW M10X18 | 1 |
| 30 | 006.01.016.00.00 | RETAINIG PLATE MAINBEARING | 2 |
| 31 | C24.90.002.00.00 | TORX SCREW M6X12 - 10.9/12.9 | 2 |
| 32 | 037.04.000.80.00 | GEARBOX NEW | 1 |
| 33 | 2.824.955.000 | SEEGER AS 17.1,5 DIN 471 | 1 |

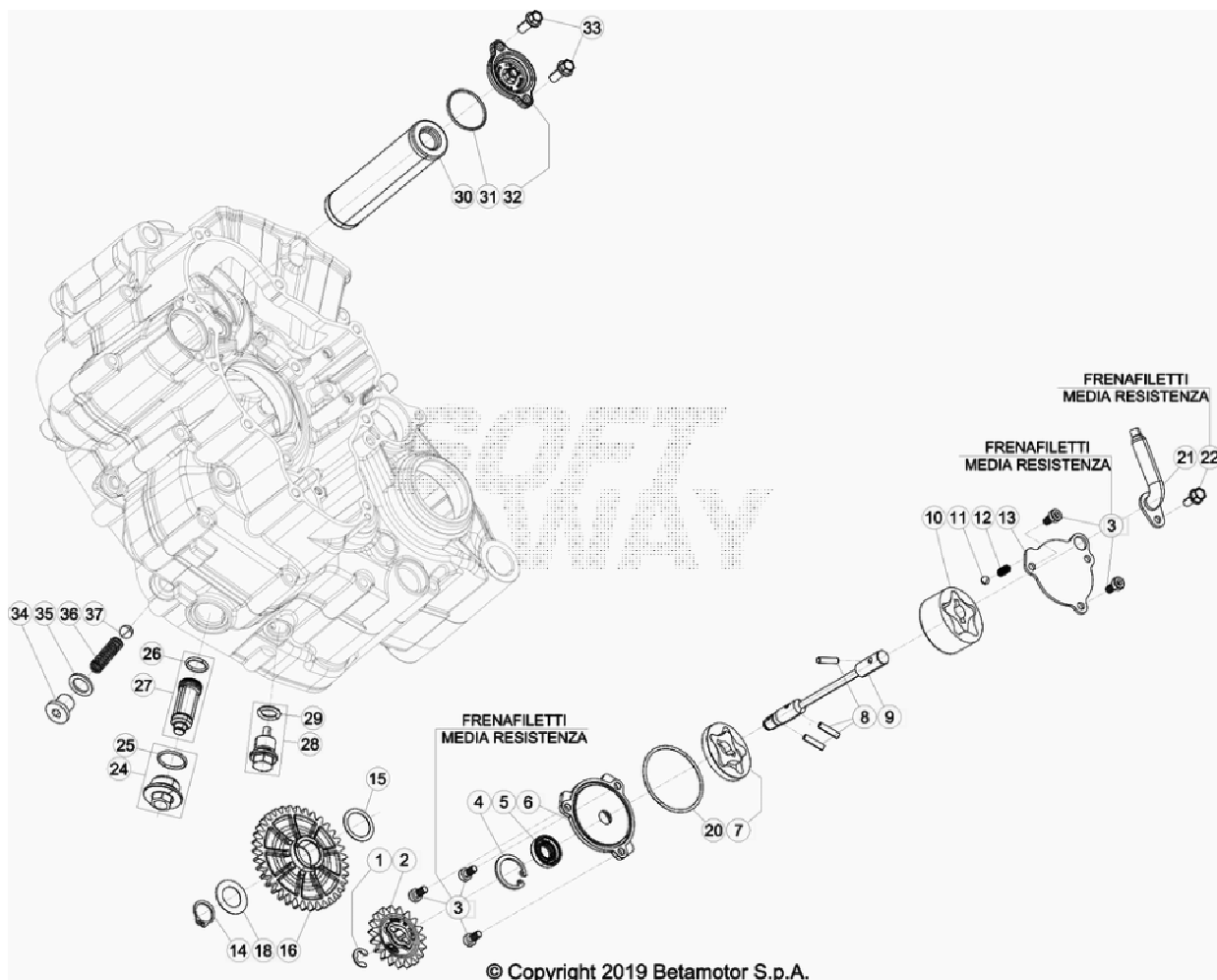


| Ref. | Part Number | Description | Parts |
|------|------------------|------------------------------|-------|
| 1 | 027.03.011.00.00 | CLUTCH GEAR | 1 |
| 2 | 029.03.141.00.00 | CLUTCH DRUM | 1 |
| 3 | 029.03.031.00.00 | PRESSURE CAP | 1 |
| 4 | 006.03.061.00.00 | CLUTCH BUSH | 1 |
| 5 | 006.03.063.00.00 | SEAL 26.30.22 | 1 |
| 6 | 006.03.062.00.00 | THRUST WASHER 21,7X38X3 | 1 |
| 7 | 029.03.000.48.00 | WASHER | 1 |
| 8 | 006.03.065.00.00 | S/ARM SPECIAL NUT 18.1,50 | 1 |
| 9 | 029.03.071.80.00 | LIFTER, CLUTCH PUSH ROD ASSY | 1 |
| 10 | 029.03.071.00.00 | LIFTER, CLUTCH PUSH ROD | 1 |
| 11 | 1.611.370.000 | BUSH 15.28.2 | 1 |
| 12 | 2.823.105.000 | SEEGER RB14 DIN 7993 | 1 |
| 13 | 029.03.055.00.00 | SPRING | 6 |

| | | | |
|----|------------------|------------------------------|---|
| 14 | 029.03.056.00.00 | SPRING CAP | 6 |
| 15 | 3.134.510.000 | SCREW 6.20 | 6 |
| 16 | 029.03.005.00.00 | DRIVEN DISK NEW | 7 |
| 17 | 029.03.053.00.00 | DRIVING PLATE | 6 |
| 18 | 029.03.054.00.00 | DRIVING PLATE | 2 |
| 19 | 1.633.788.000 | CAP | 1 |
| 20 | 006.03.070.00.00 | CLUTCH PUSH ROD | 1 |
| 21 | 1.066.840.000 | O-RING 33X1,5 | 1 |
| 22 | 006.03.085.00.00 | GASKET CLUTCH SLAVE CYLINDER | 1 |
| 23 | 029.03.001.80.00 | CLUTCH SLAVE CYLINDER RR | 1 |
| 24 | 006.03.281.80.00 | CLUTCH SLAVE PISTON RR | 1 |
| 25 | 1.066.520.000 | OIL SEAL 23,52.1,78 | 1 |
| 26 | 006.03.083.00.00 | SPRING SLAVE CYLINDER | 1 |
| 27 | 2.891.050.000 | REAR PLIERS BLEED | 1 |
| 28 | 029.03.001.00.00 | CLUTCH SLAVE CYLINDER RR | 1 |
| 29 | 1.165.040.000 | SPECIAL BOLT | 1 |
| 30 | 1.650.510.000 | GASKET 10.15.1 COPPER | 2 |
| 32 | 1.149.070.000 | BOLT 6.20 | 2 |
| 33 | 1.150.355.000 | BOLT 6.35 RS CH8 | 1 |
| 34 | 1.349.190.000 | SPACER | 1 |
| 35 | 029.03.107.00.00 | PLATE GUIDE | 6 |

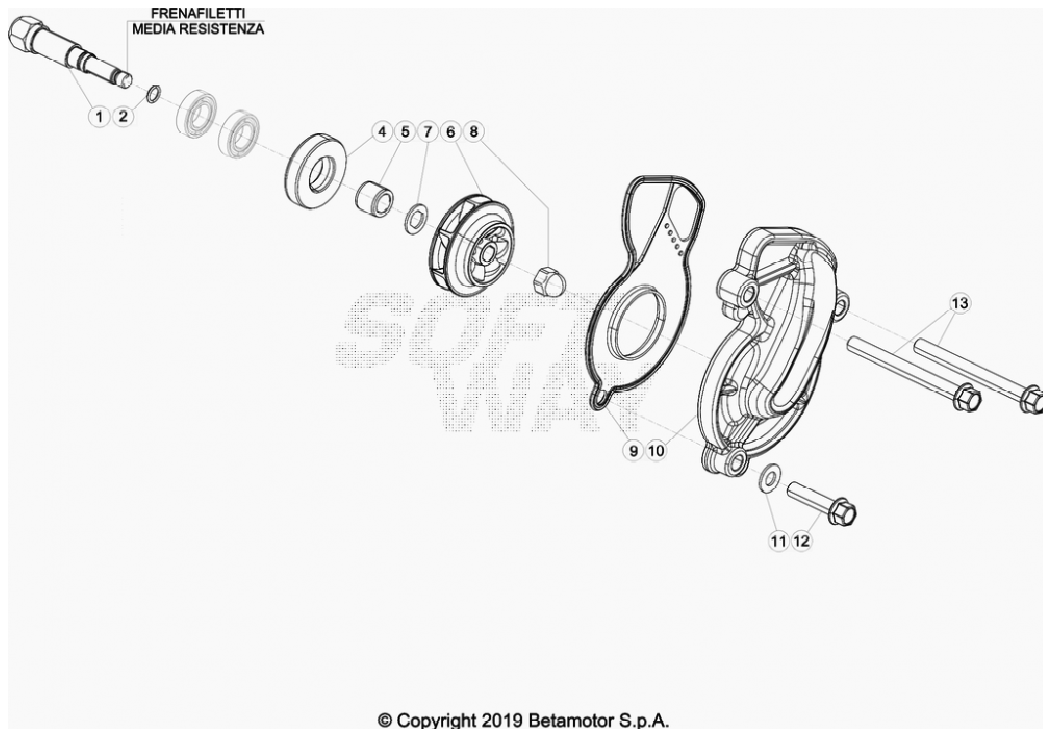


| Ref. | Part Number | Description | Parts |
|------|------------------|--|-------|
| 1 | 037.07.000.80.00 | STARTING MOTOR NEW | 1 |
| 2 | 3.625.056.000 | O RING 25,00X3,00 NBR70 | 1 |
| 3 | 1.150.010.000 | BOLT 6.25 | 2 |
| 4 | 029.07.011.80.00 | TORQUE LIMITER NEW | 1 |
| 5 | 2.742.000.100 | WASHER 6.20.1,0 | 1 |
| 6 | 1.150.010.000 | BOLT 6.25 | 1 |
| 7 | 037.07.001.00.00 | GEAR NEW | 1 |
| 8 | 2.825.400.000 | SEEGER 20 E | 1 |
| 9 | 029.07.030.00.00 | STARTER CLUTCH GEAR | 1 |
| 10 | 006.07.031.00.00 | NEEDLE BEARING HK2516 | 1 |
| 11 | 006.07.040.00.00 | CAM CLUTCH (BORG WARNER FWD331608-BLS) | 1 |
| 12 | 029.07.025.00.00 | GUIDING PLATE | 2 |
| 13 | C24.24.047.00.00 | SCREW 5.12 | 2 |

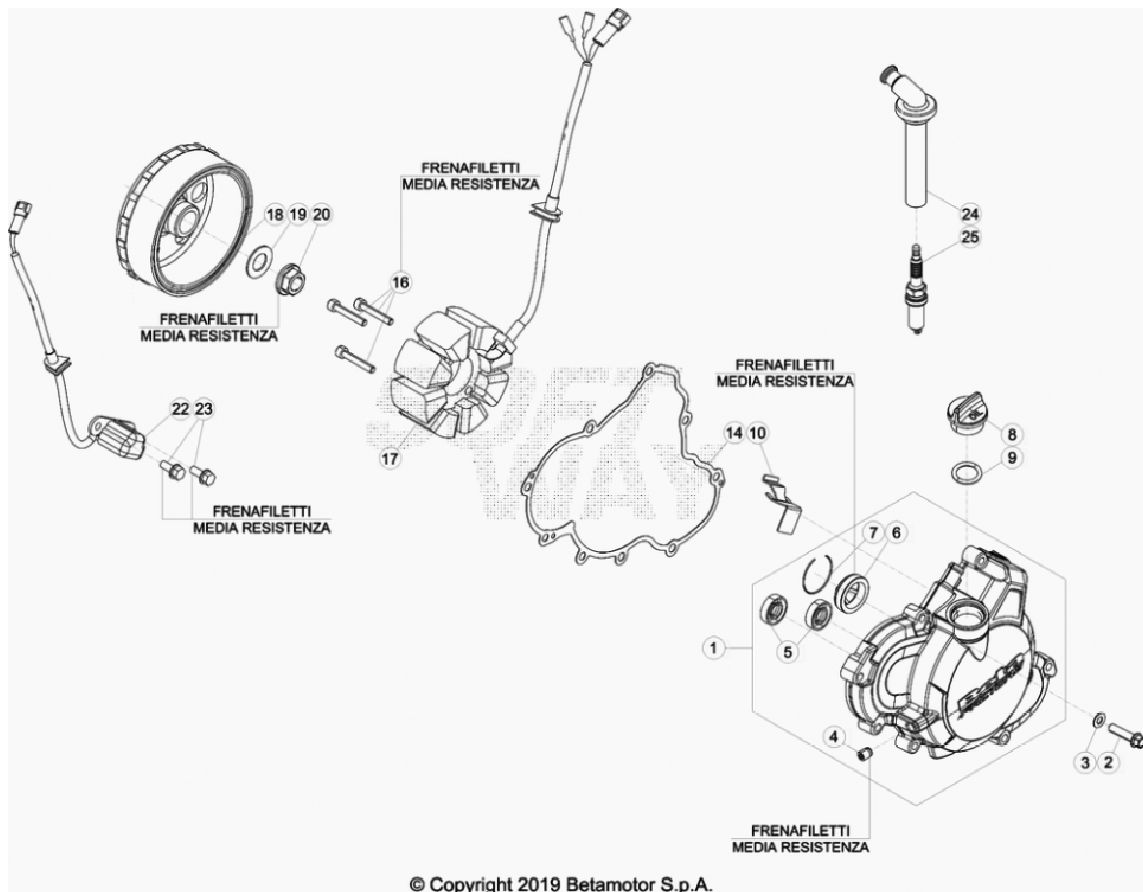


| Ref. | Part Number | Description | Parts |
|------|------------------|---------------------------------|-------|
| 1 | 2.822.645.000 | CICLIP RA 7 DIN 6799 | 1 |
| 2 | 037.08.008.00.00 | OIL PUMP GEAR Z19 NEW | 1 |
| 3 | C24.24.047.00.00 | SCREW 5.12 | 5 |
| 4 | 2.825.502.000 | SEEGER JS24 DIN 472 | 1 |
| 5 | 1.044.695.000 | OIL SEAL 10.22.6 BABSL 75FKW595 | 1 |
| 6 | 029.08.011.00.00 | OILPUMP COVER (PRESSURE PUMP) | 1 |
| 7 | 006.08.010.80.00 | OIL PUMP 40,56 B5 | 1 |
| 8 | 1.293.384.000 | NEEDLE ROLL 4.15,8 G2 NBR | 3 |
| 9 | 037.08.007.00.00 | OIL PUMP SHAFT NEW | 1 |
| 10 | 006.08.000.80.00 | OIL PUMP 40,56 B19 | 1 |
| 11 | 2.890.220.000 | BALL D=5,5 DIN 5401 | 1 |
| 12 | 006.08.041.00.00 | SPRING (VENTILATION) | 1 |

| | | | |
|----|------------------|--------------------------|---|
| 13 | 037.08.004.00.00 | OIL PUMP COVER NEW | 1 |
| 14 | 2.823.600.000 | SEEGER 15E | 1 |
| 15 | 037.08.010.00.00 | WASHER 18X23X0,5 NEW | 1 |
| 16 | 037.08.009.00.00 | OIL PUMP GEAR Z36 NEW | 1 |
| 18 | 2.764.500.050 | 15.25.0,50 WASHER | 1 |
| 20 | 1.066.934.000 | O-RING 45 . 2 NBR | 1 |
| 21 | 037.08.005.85.00 | OIL HOSE NEW | 1 |
| 22 | 1.146.251.000 | BOLT 5,12 | 1 |
| 24 | 029.08.050.80.00 | OIL DRAIN PLUG | 1 |
| 25 | 1.066.321.000 | OIL SEAL | 1 |
| 26 | 1.066.168.000 | O-RING, 12.2 | 1 |
| 27 | 029.08.051.80.00 | OIL FILTER | 1 |
| 28 | 006.08.152.80.00 | SCREW | 1 |
| 29 | 1.066.164.000 | O-RING, 11.2 NBR 70SH | 1 |
| 30 | 006.08.070.00.00 | OIL FILTER | 1 |
| 31 | 1.066.685.000 | O-RING 28 . 1,5 VITON | 1 |
| 32 | 029.08.060.00.00 | OIL FILTER CAP | 1 |
| 33 | 1.148.025.000 | BOLT 6.16 | 2 |
| 34 | 3.625.062.000 | PLUG - M12 X 1,5 | 1 |
| 35 | 2.760.265.000 | WASHER 12.181,5 | 1 |
| 36 | 029.08.040.00.00 | SPRING (PRESSURE VALVE) | 1 |
| 37 | 2.890.225.000 | BALL D=9 DIN 5401 | 1 |

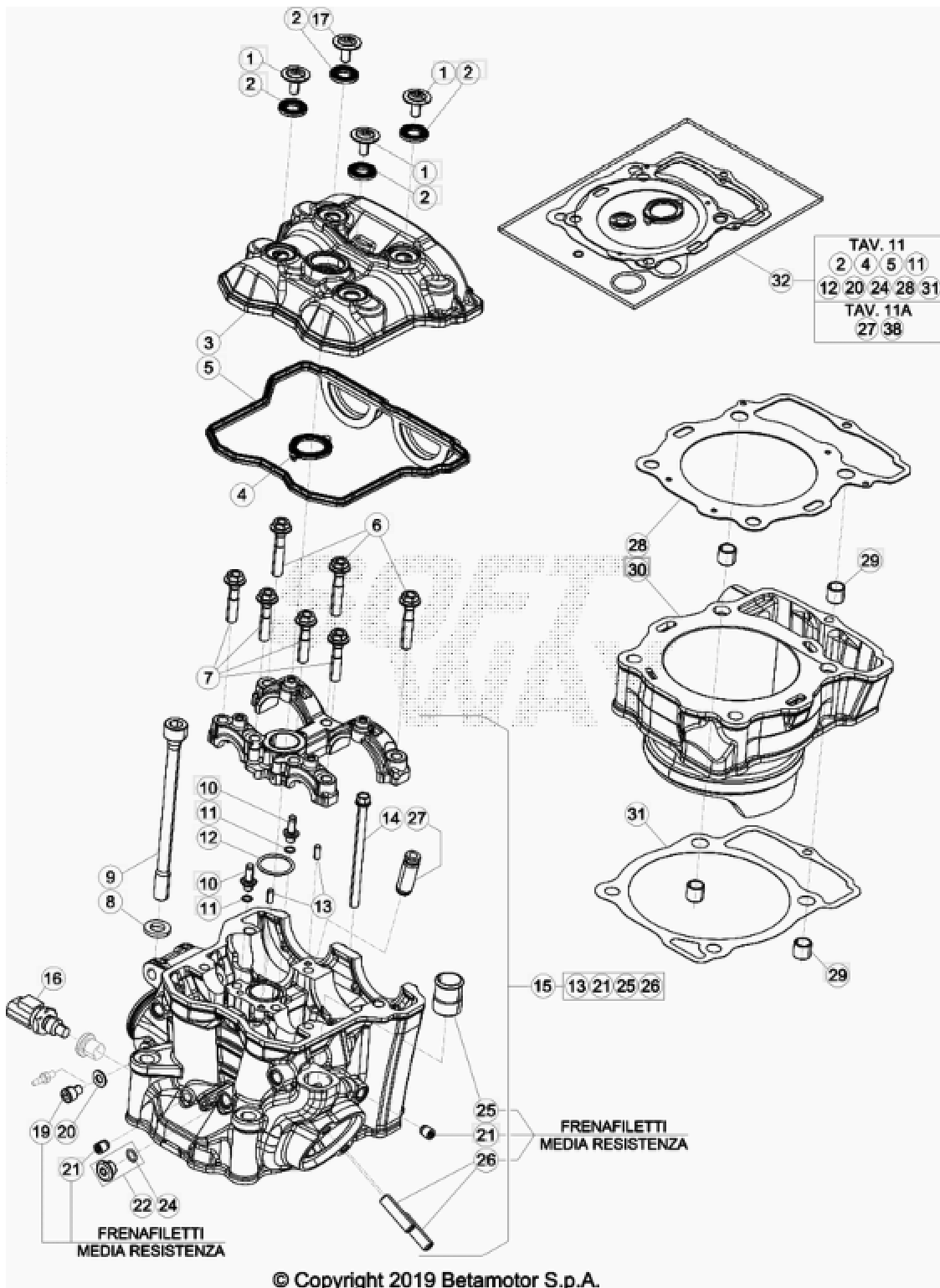


| Ref. | Part Number | Description | Parts |
|------|------------------|----------------------------------|-------|
| 1 | 037.09.001.00.00 | WATER PUMP SHAFT NEW | 1 |
| 2 | 1.066.136.000 | O-RING 5,5 . 1 VITON | 1 |
| 4 | 1.048.030.000 | OIL SEAL 12.30.7 | 1 |
| 5 | 006.09.011.00.00 | BUSH WATER PUMP IR 8.12.10 | 1 |
| 6 | 037.09.002.80.00 | WATER PUMP IMPELLER RR 4T NEW | 1 |
| 7 | 006.09.012.00.00 | WASHER WATER PUMP | 1 |
| 8 | 1.311.520.000 | NUT M6X1 DIN 1587 | 1 |
| 9 | 037.09.006.87.00 | INSERT NEW | 1 |
| 10 | 037.09.005.00.00 | WATER PUMP COVER NEW | 1 |
| 11 | 2.740.490.000 | WASHER 6.10.2 | 1 |
| 12 | 1.150.010.000 | BOLT 6.25 | 1 |
| 13 | 1.105.485.000 | BOLT 6.60 | 2 |



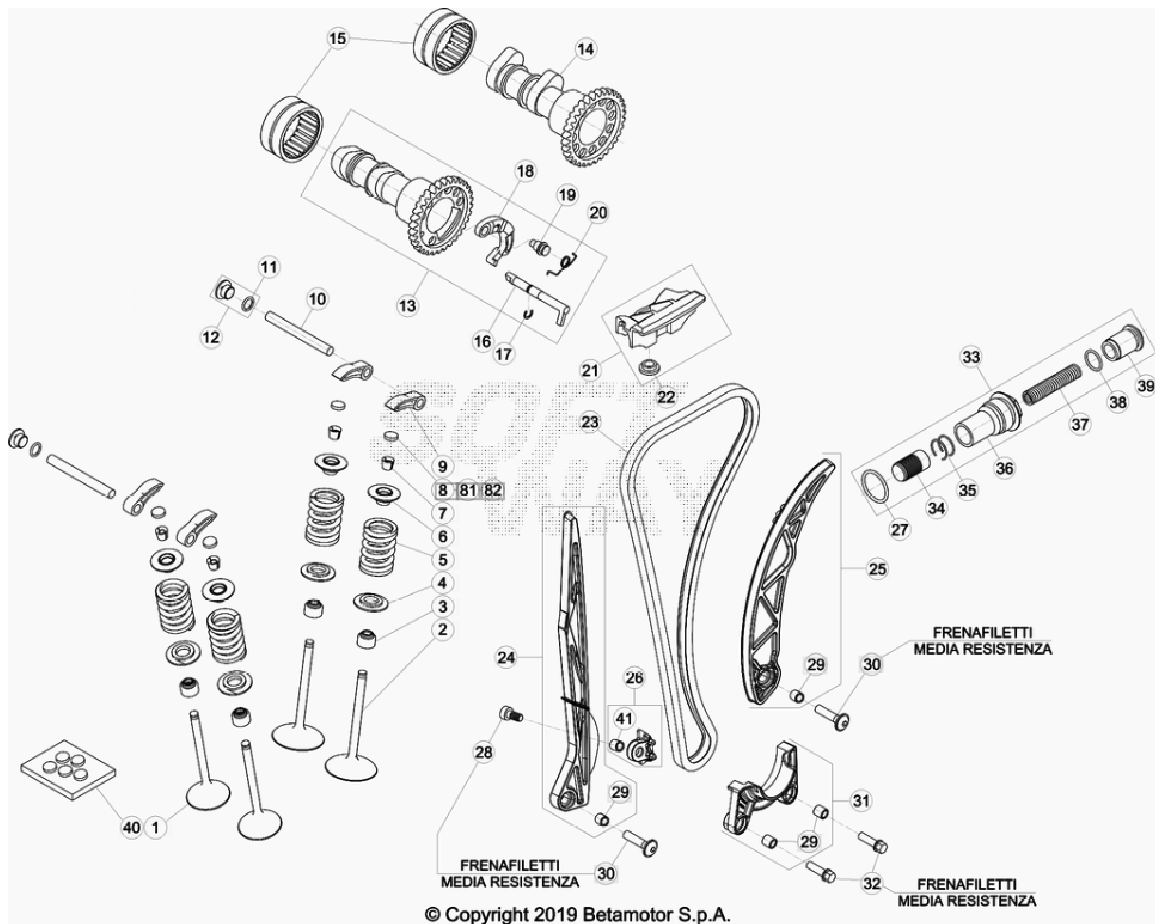
| Ref. | Part Number | Description | Parts |
|------|------------------|-----------------------------------|-------|
| 1 | 037.01.008.80.52 | FLYWHEEL COVER BLACK RR 4T NEW | 1 |
| 2 | 1.150.010.000 | BOLT 6.25 | 9 |
| 3 | 2.758.000.000 | WASHER 6.12 | 1 |
| 4 | 006.01.021.00.00 | SEALING OIL PLUG 73X9 | 1 |
| 5 | 1.044.690.000 | OIL SEAL 10.22.6 B | 2 |
| 6 | 006.01.056.00.00 | OIL CHECK GLASS, 22X30X8,5 | 1 |
| 7 | 2.825.680.000 | SEEGER 30X1 RB (DIN 7993) | 1 |
| 8 | 2.909.601.000 | OIL FILLER PLUG | 1 |
| 9 | 1.066.340.000 | OIL SEAL 16.3 | 1 |
| 10 | 037.01.012.15.00 | RETAINING PLATE NEW | 1 |
| 14 | 037.01.009.00.00 | COVER GASKET NEW | 1 |
| 16 | C24.24.039.00.00 | SCREW 5.30 | 3 |
| 17 | 037.10.002.00.00 | GENERATOR NEW | 1 |

| | | | |
|----|------------------|---------------------------------|---|
| 18 | 006.10.110.00.00 | ROTOR, FLYWHEEL | 1 |
| 19 | 2.774.810.000 | SPRING WASHER DIN137 B12 FST | 1 |
| 20 | 1.325.010.000 | NUT | 1 |
| 22 | 037.10.001.00.00 | PICK UP NEW | 1 |
| 23 | 1.146.251.000 | BOLT 5,12 | 2 |
| 24 | 006.10.055.00.00 | SPARK PLUG CONNECTOR RR4T MY'10 | 1 |
| 25 | 006.10.050.00.00 | SPARK PLUG, M12X1,25 | 1 |



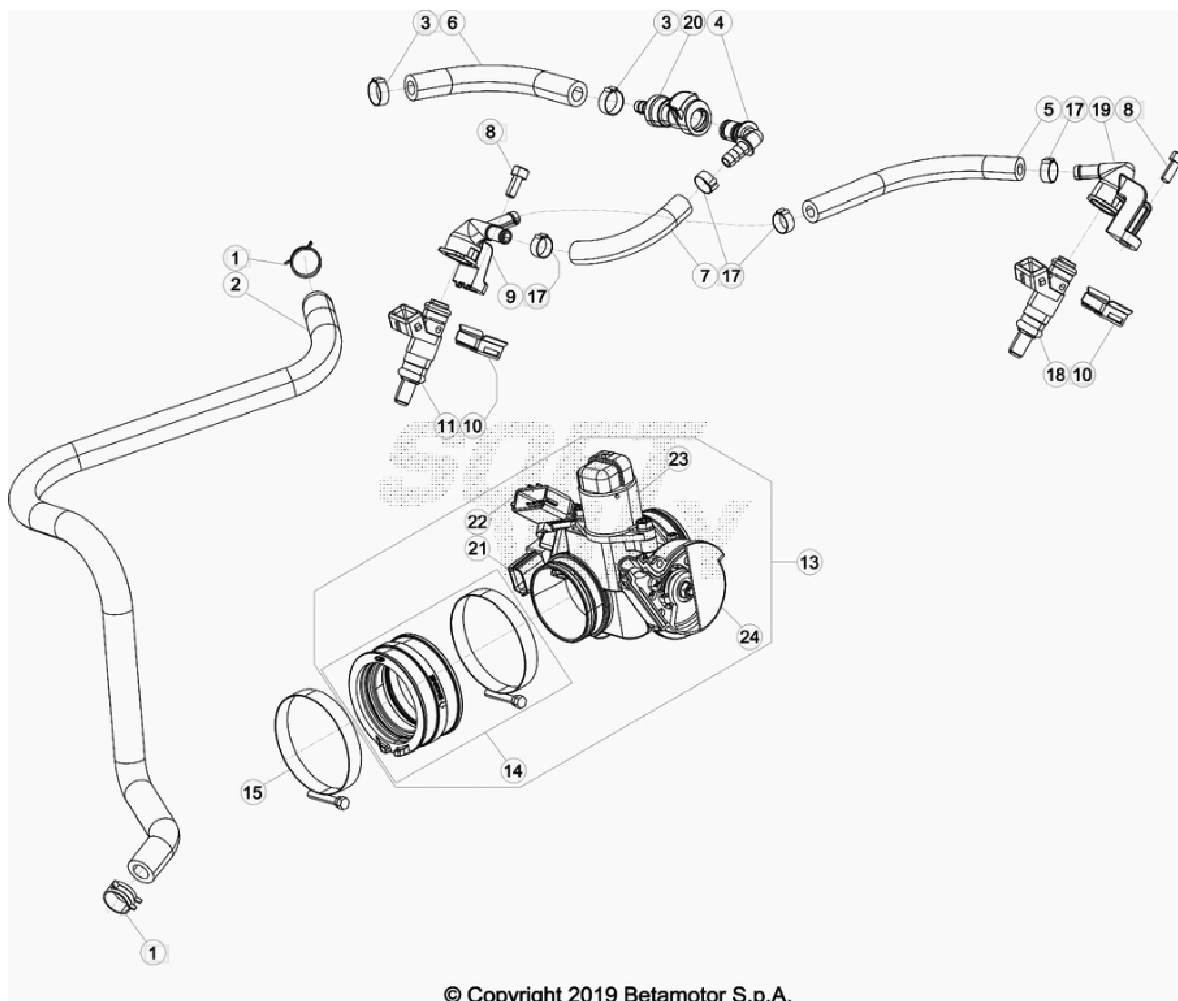
| Ref. | Part Number | Description | Parts |
|------|------------------|---------------------------------|-------|
| 1 | 006.11.025.00.00 | SCREW HEAD COVER | 3 |
| 2 | 006.11.026.00.00 | RUBBER, SCREW CYLINDEHEAD COVER | 4 |
| 3 | 006.11.020.00.52 | CYLINDERHEAD COVER | 1 |
| 4 | 006.11.022.00.00 | SEALING CYLINDERHEAD COVER | 1 |

| | | | |
|----|------------------|--|---|
| 5 | 029.11.021.00.00 | SEALING PLUG | 1 |
| 6 | 1.152.427.000 | BOLT 7.38, SPECIAL | 3 |
| 7 | 1.152.425.000 | SPECIAL BOLT 7.33 | 4 |
| 8 | 006.11.012.00.00 | WASHER 10,5.18,5.2,5 | 4 |
| 9 | 022.11.013.00.00 | SCREW M10.1,25 L=127.5 | 4 |
| 10 | 006.11.009.00.00 | OIL JET | 2 |
| 11 | 1.066.136.000 | O-RING 5,5 . 1 VITON | 2 |
| 12 | 1.066.495.000 | O-RING 22 . 2 | 1 |
| 13 | 3.625.021.000 | NEEDLE ROLLER 4,0 X 9,8 | 2 |
| 14 | 1.105.445.000 | BOLT 6.80 RS CH8 | 1 |
| 15 | 037.11.002.80.00 | ENGINE HEAD D88 RR 4T NEW | 1 |
| 16 | 029.13.004.00.00 | TEMPERATURE SENSOR | 1 |
| 17 | 006.11.035.00.00 | SECURITY SCREW | 1 |
| 19 | C24.24.044.00.00 | SCREW 6.8 | 1 |
| 20 | 2.758.000.000 | WASHER 6.12 | 1 |
| 21 | 006.01.021.00.00 | SEALING OIL PLUG 73X9 | 2 |
| 22 | 006.11.045.80.00 | SEALING PLUG (SHAFT FINGER) | 1 |
| 24 | 1.050.010.000 | OIL SEAL 8.1,5 | 1 |
| 25 | 006.11.108.00.00 | CONNECTION NOZZLE M20.1,5 | 1 |
| 26 | 006.11.019.00.00 | STUD BOLT M8X30 DIN 913 A2 INOX | 2 |
| 27 | 006.11.005.00.00 | VALVE GUIDE INLET | 4 |
| 28 | 037.11.003.00.00 | ENGINE HEAD GASKET D88 NEW | 1 |
| 29 | 006.02.070.00.00 | BUSH 10,5.12.11 (CYLINDER BASE/CYL.HEAD) | 4 |
| 30 | 037.11.000.00.01 | CYLINDER D88 - 1 RR 4T NEW | 1 |
| 31 | 037.11.001.00.00 | CYLINDER GASKET NEW | 1 |
| 32 | 037.11.007.82.00 | GASKET - KIT RR 4T NEW | 1 |



| Ref. | Part Number | Description | Parts |
|------|------------------|------------------------------|-------|
| 1 | 027.11.033.00.00 | VALVE EXHAUST MEM88 TITANIUM | 2 |
| 2 | 027.11.032.00.00 | VALVE INLET M88 TITANIUM | 2 |
| 3 | 006.11.139.00.00 | VALVE STEM SEAL | 4 |
| 4 | 027.11.037.00.00 | VALVE SPRING LOWER SUPPORT | 4 |
| 5 | 027.11.034.00.00 | VALVE SPRING | 4 |
| 6 | 027.11.036.00.00 | VALVE SPRING RETAINER | 4 |
| 7 | 006.11.038.00.00 | VALVE COLLET | 8 |
| 8 | 006.11.040.20.10 | SHIM 2,100 | 1 |
| 9 | 006.11.030.00.00 | FINGER FOLLOWER | 4 |
| 10 | 006.11.031.00.00 | SHAFT (FINGER FOLLOWER) | 2 |
| 11 | 1.050.010.000 | OIL SEAL 8,1,5 | 2 |
| 12 | 006.11.045.80.00 | SEALING PLUG (SHAFT FINGER) | 2 |
| 13 | 027.11.151.80.00 | CAMSHAFT EX CPL. 350/390 | 1 |
| 14 | 029.11.150.00.00 | CAMSHAFT INTAKE | 1 |
| 15 | 006.11.053.00.00 | BEARING NK35/20R | 2 |

| | | | |
|----|------------------|---------------------------------|---|
| 16 | 006.11.156.00.00 | AUTODECO SHAFT | 1 |
| 17 | 2.822.635.000 | CICLIP H7 | 1 |
| 18 | 006.11.155.00.00 | AUTODECO WEIGHT | 1 |
| 19 | 006.11.057.00.00 | BEARING BOLT | 1 |
| 20 | 029.11.058.00.00 | SPRING | 1 |
| 21 | 006.11.063.80.00 | TIMING CHAIN GUIDE HEAD | 1 |
| 22 | 006.11.066.00.00 | DUSTANCE BUSH | 1 |
| 23 | 022.11.060.00.00 | TIMING CHAIN Z=124 | 1 |
| 24 | 037.11.005.80.00 | CHAIN GUIDE NEW | 1 |
| 25 | 037.11.006.80.00 | CHAIN TENSIONER NEW | 1 |
| 26 | 037.11.301.80.00 | CHAIN GUIDE NEW | 1 |
| 27 | 1.066.466.000 | O-RING 20 . 2 | 1 |
| 28 | C24.24.047.00.00 | SCREW 5.12 | 1 |
| 29 | 006.11.065.00.00 | DUSTANCE BUSH, 6,2.9.9 | 4 |
| 30 | 3.130.792.000 | SCREW 6.25 DIN 7380 HEAD D=13,6 | 2 |
| 31 | 037.11.300.80.00 | CHAIN GUIDE NEW | 1 |
| 32 | 1.149.070.000 | BOLT 6.20 | 2 |
| 33 | 006.11.167.80.00 | CHAIN TENSIONER CPL RR4T | 1 |
| 34 | 006.11.167.20.00 | PISTON | 1 |
| 35 | 2.823.105.000 | SEEGER RB14 DIN 7993 | 2 |
| 36 | 006.11.167.10.00 | SCREW CHAIN TENSIONER | 1 |
| 37 | 006.11.267.30.00 | CHAIN TIGHTENER SPRING | 1 |
| 38 | 1.066.175.000 | OIL SEAL 13.1,5 | 1 |
| 39 | 006.11.168.80.00 | COMPLETE CAP | 1 |
| 40 | 006.45.001.80.00 | KIT, VALVE SHIM RR MY*10 | 1 |
| 41 | 006.08.081.00.00 | DISTANCE BUSH | 1 |
| 81 | 006.11.040.20.67 | SHIM 2,675 | 1 |
| 82 | 006.11.040.30.10 | SHIM 3,100 | 1 |



© Copyright 2019 Betamotor S.p.A.

| Ref. | Part Number | Description | Parts |
|------|------------------|-----------------------------------|-------|
| 1 | 1.067.470.000 | RING | 2 |
| 2 | 037.13.002.00.00 | AIR HOSE NEW | 1 |
| 3 | C07.16.002.00.00 | SELF LOCKING CLAMP, NORMA 13/8 W4 | 2 |
| 4 | 029.13.008.00.00 | FUEL HOSE CONNECTOR | 1 |
| 5 | 037.13.003.00.00 | FUEL HOSE NEW | 1 |
| 6 | 037.13.004.00.00 | FUEL HOSE NEW | 1 |
| 7 | 037.13.007.00.00 | FUEL HOSE NEW | 1 |
| 8 | 3.129.910.000 | SCREW 5.12 | 2 |
| 9 | 029.13.016.00.00 | INJECTOR CAP | 1 |
| 10 | 029.13.009.15.00 | FIXING BRACKET | 2 |
| 11 | 029.13.005.00.00 | INJECTOR | 1 |

| | | | |
|----|------------------|-----------------------------------|---|
| 13 | 029.13.013.80.00 | COMPL.THROTTLE BODY | 1 |
| 14 | 029.13.000.82.00 | MANIFOLD INSERT | 1 |
| 15 | 1.514.607.800 | CLAMP, D.58 | 1 |
| 17 | C07.16.003.00.00 | SELF LOCKING CLAMP, NORMA 12/8 W4 | 4 |
| 18 | 029.13.018.00.00 | INJECTOR | 1 |
| 19 | 037.13.001.00.00 | INJECTOR CAP NEW | 1 |
| 20 | 031.40.125.00.00 | FUEL PIPE CONNECTOR | 1 |
| 21 | 029.13.029.00.00 | THROTTLE POSITION SENSOR | 1 |
| 22 | 029.13.030.00.00 | TEMPERATURE SENSOR | 1 |
| 23 | 029.13.031.00.00 | STEPPER MOTOR | 1 |
| 24 | 029.13.032.00.00 | PULLEY | 1 |