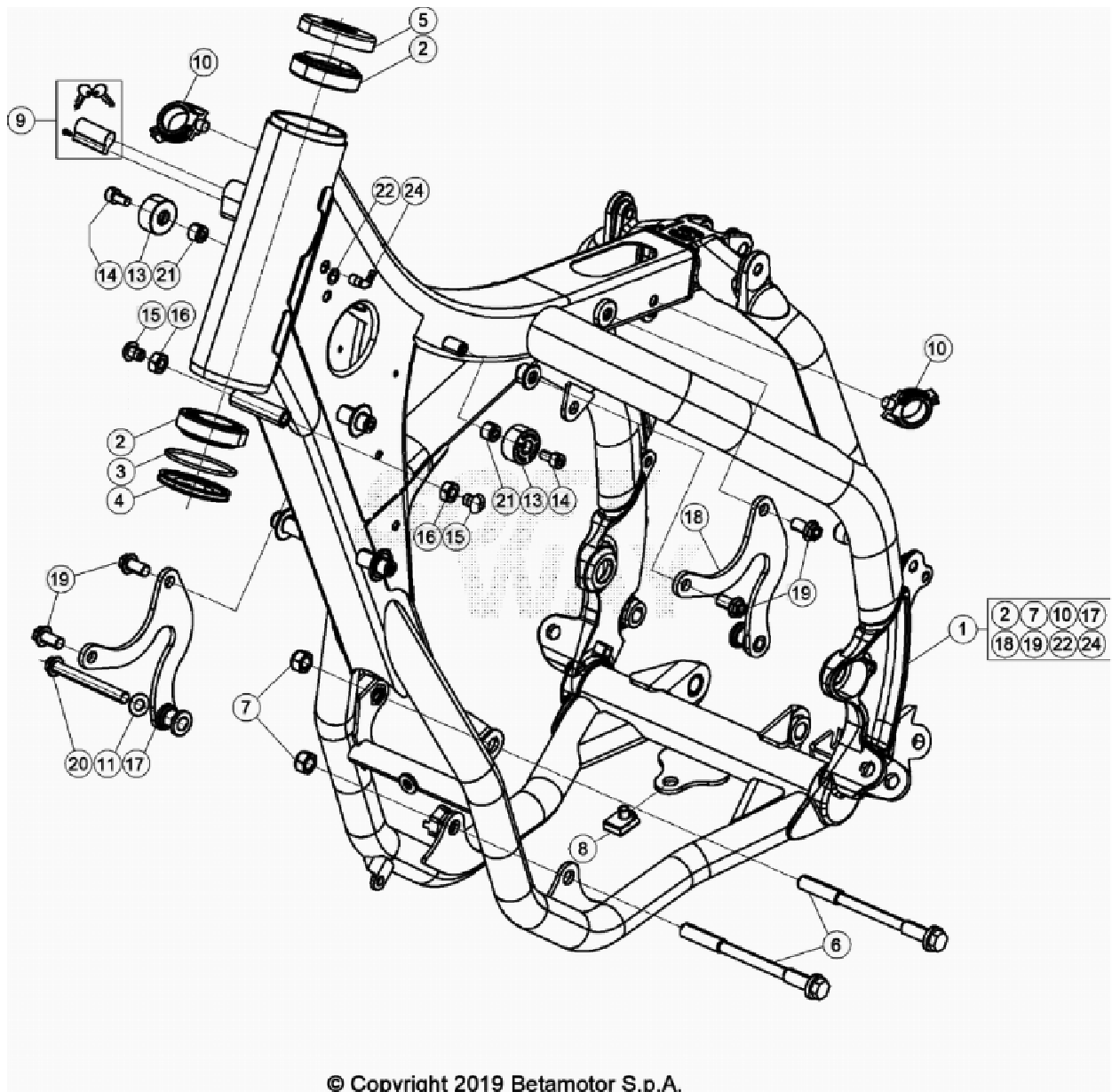


# **MFC** **MOTOCROSS** **CENTER.COM**

Beta Enduro RR 300 Racing 2020

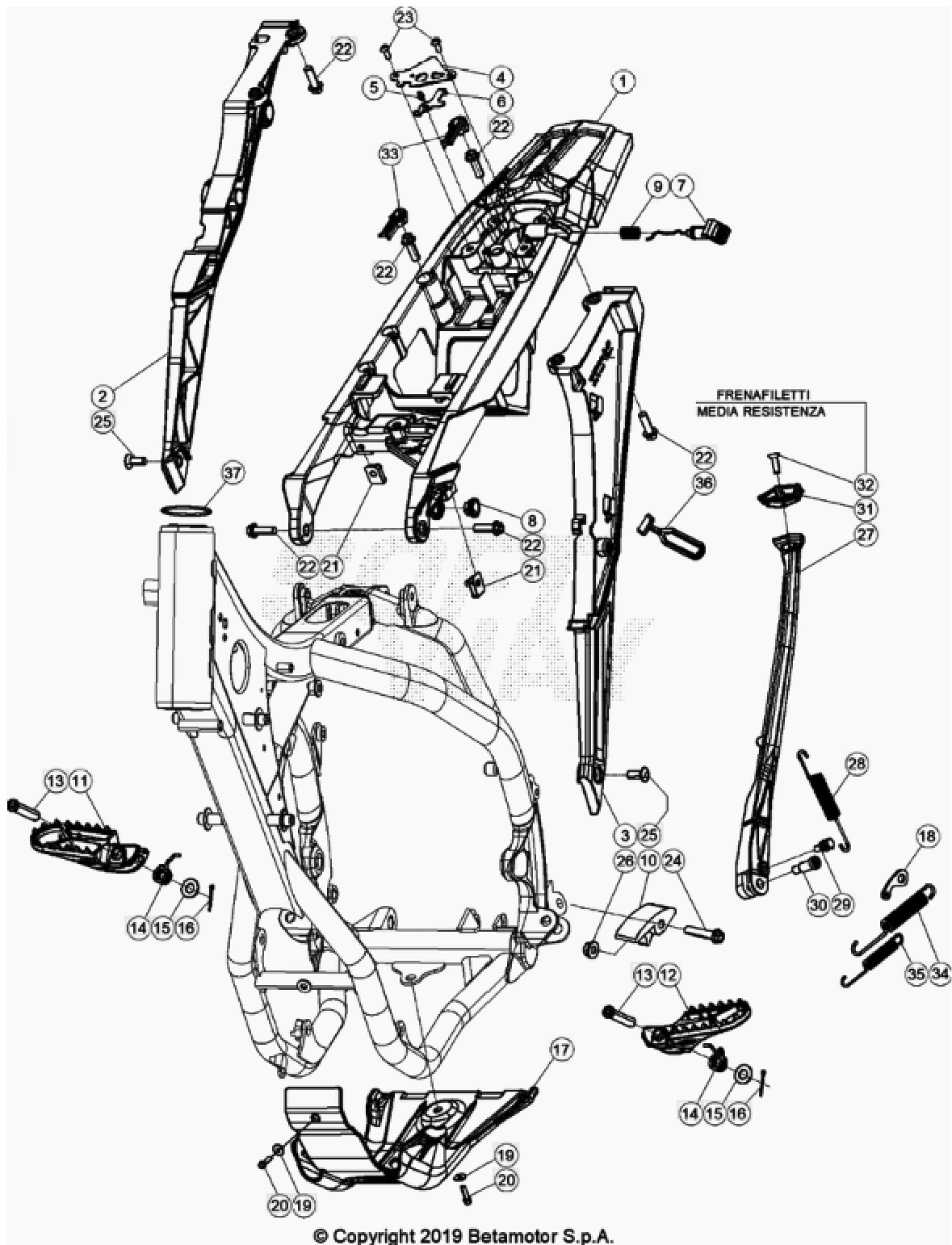




© Copyright 2019 Betamotor S.p.A.

| Ref | Part nr.         | Description                           |   |
|-----|------------------|---------------------------------------|---|
| 1   | 040.31.022.80.50 | FRAME RED RR 2T<br>NEW                | 1 |
| 2   | 1.299.510.000    | SEAL 29.50.15                         | 2 |
| 3   | 1.066.935.000    | O RING                                | 1 |
| 4   | 020.31.039.00.00 | FRONT FORK RING, RR 4T MY'10          | 1 |
| 5   | 031.31.016.22.00 | PROTECTION, UPPER BEARING             | 1 |
| 6   | 1.164.607.000    | SPECIAL BOLT                          | 2 |
| 7   | 1.321.060.000    | NUT, M10X1,25 H.8.5 14MM SELF-LOCKING | 2 |
| 8   | 2.560.311.000    | M6 SCREW PLATE                        | 1 |
| 9   | 037.31.024.00.00 | STEERING LOCK PIN TUMBLER             | 1 |

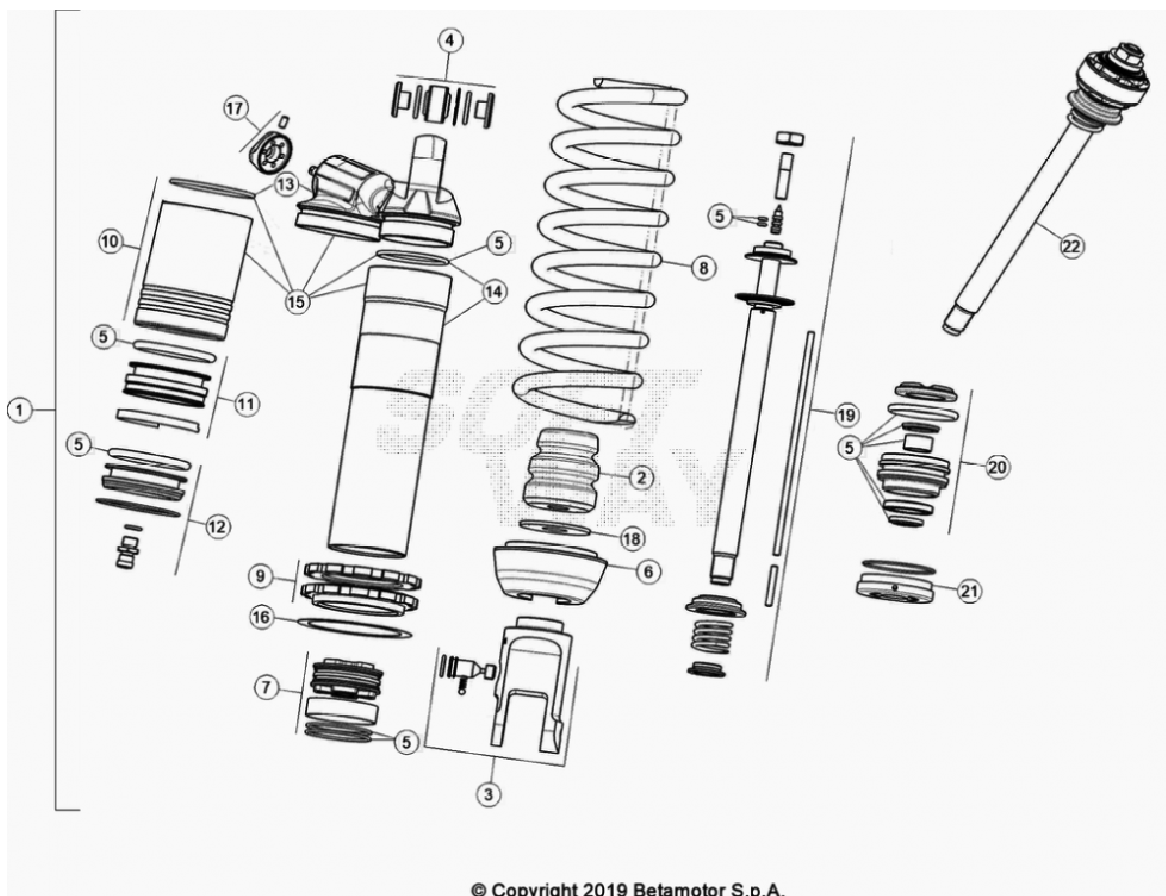
| NEW |                  |                                |   |
|-----|------------------|--------------------------------|---|
| 10  | 2.524.441.000    | FAIR LEAD D.15, RR 4T          | 2 |
| 11  | C19.28.008.00.00 | WASHER 8X16X1,6 DIN125-A HV300 | 1 |
| NEW |                  |                                |   |
| 13  | 2.910.310.000    | TANK RUBBER PAD                | 2 |
| 14  | 3.131.050.000    | SCREW 6.20                     | 2 |
| 15  | 3.164.060.000    | SCREW 8.16                     | 2 |
| 16  | 1.316.000.000    | NUT 8.6                        | 2 |
| 17  | 040.32.000.80.00 | ENGINE CONNECTION RR 2T        | 1 |
| NEW |                  |                                |   |
| 18  | 040.32.001.50.00 | ENGINE CONNECTION RR 2T        | 1 |
| NEW |                  |                                |   |
| 19  | 1.154.521.000    | BOLT 8.16 CH.10                | 4 |
| 20  | 1.155.970.000    | BOLT 8.65 PF CH13 RS           | 1 |
| 22  | 2.733.741.000    | SPACER                         | 1 |
| 24  | 2.723.473.000    | RIVNUT                         | 1 |
| 25  | 2.524.443.000    | BREATHER PIPE HOSE             | 1 |



| Ref. | Part Number      | Description                           | Parts |
|------|------------------|---------------------------------------|-------|
| 1    | 040.32.035.80.59 | REAR FRAME<br>NEW                     | 1     |
| 2    | 037.32.041.87.59 | REAR FRAME CONNECTION BLACK RR<br>NEW | 1     |
| 3    | 037.32.043.87.59 | REAR FRAME CONNECTION BLACK RR        | 1     |

|    |                  |                           |   |
|----|------------------|---------------------------|---|
|    |                  | NEW                       |   |
| 4  | 020.32.010.00.05 | SEAT LOCK FIXING PLATE    | 1 |
| 5  | 020.32.112.00.00 | SEAT LOCK SPECIAL RIVET   | 1 |
| 6  | 037.32.013.50.00 | RETAINING PLATE           | 1 |
|    |                  | NEW                       |   |
| 7  | 037.32.014.87.59 | SEAT BUTTON BLACK RR      | 1 |
|    |                  | NEW                       |   |
| 8  | 037.38.003.00.00 | INSERT                    | 1 |
|    |                  | NEW                       |   |
| 9  | 020.32.016.00.00 | SEAT LOCK BUTTON SPRING   | 1 |
| 10 | 2.525.601.000    | SLIDING BLOCK             | 1 |
| 11 | 037.32.040.00.59 | FOOTPEG BLACK RR RACING   | 1 |
|    |                  | NEW                       |   |
| 12 | 037.32.039.00.59 | FOOTPEG BLACK RR RACING   | 1 |
|    |                  | NEW                       |   |
| 13 | 2.554.465.000    | PIVOT PIN, FOOTREST RR 4T | 2 |
| 14 | 037.32.019.00.00 | SPRING                    | 2 |
|    |                  | NEW                       |   |
| 15 | 031.32.001.00.00 | WASHER 10.20..1,5         | 2 |
| 16 | 1.281.993.000    | SPLIT PIN                 | 2 |
| 17 | 040.32.005.00.59 | ENGINE GUARD BLACK RR 2T  | 1 |
|    |                  | NEW                       |   |
| 18 | 037.32.031.50.00 | STAND SPRING BRACKET      | 1 |
|    |                  | NEW                       |   |
| 19 | 2.742.000.000    | WASHER 6.18               | 2 |
| 20 | 1.149.070.000    | BOLT 6.20                 | 2 |
| 21 | 2.560.311.000    | M6 SCREW PLATE            | 2 |
| 22 | 3.164.070.000    | SCREW 8.30                | 6 |
| 23 | 3.129.810.000    | SCREW 5.12                | 2 |
| 24 | 1.155.480.000    | BOLT 8.40                 | 1 |
| 25 | 007.32.032.00.00 | SCREW TSBEI CH 6 M8X20    | 2 |
| 26 | 1.317.120.000    | NUT M8                    | 1 |
| 27 | 037.32.010.82.00 | SUPPORT - KIT             | 1 |
|    |                  | NEW                       |   |
| 28 | 037.32.030.00.00 | SPRING                    | 1 |
|    |                  | NEW                       |   |

|    |                  |                         |   |
|----|------------------|-------------------------|---|
| 29 | 1.166.615.000    | SPECIAL BOLT            | 1 |
| 30 | 1.166.614.000    | SPECIAL BOLT, RR 4T '08 | 1 |
| 31 | 037.32.017.00.00 | INSERT<br>NEW           | 1 |
| 32 | 3.134.400.000    | SCREW 6.20              | 1 |
| 33 | 037.32.027.00.00 | RUBBER PAD - KIT<br>NEW | 1 |
| 34 | 037.32.029.00.00 | SPRING<br>NEW           | 1 |
| 35 | 037.32.028.00.00 | SPRING<br>NEW           | 1 |
| 36 | 1.634.907.000    | STAND RUBBER, RR 4T     | 1 |
| 37 | 031.32.007.00.00 | OIL SEAL                | 1 |



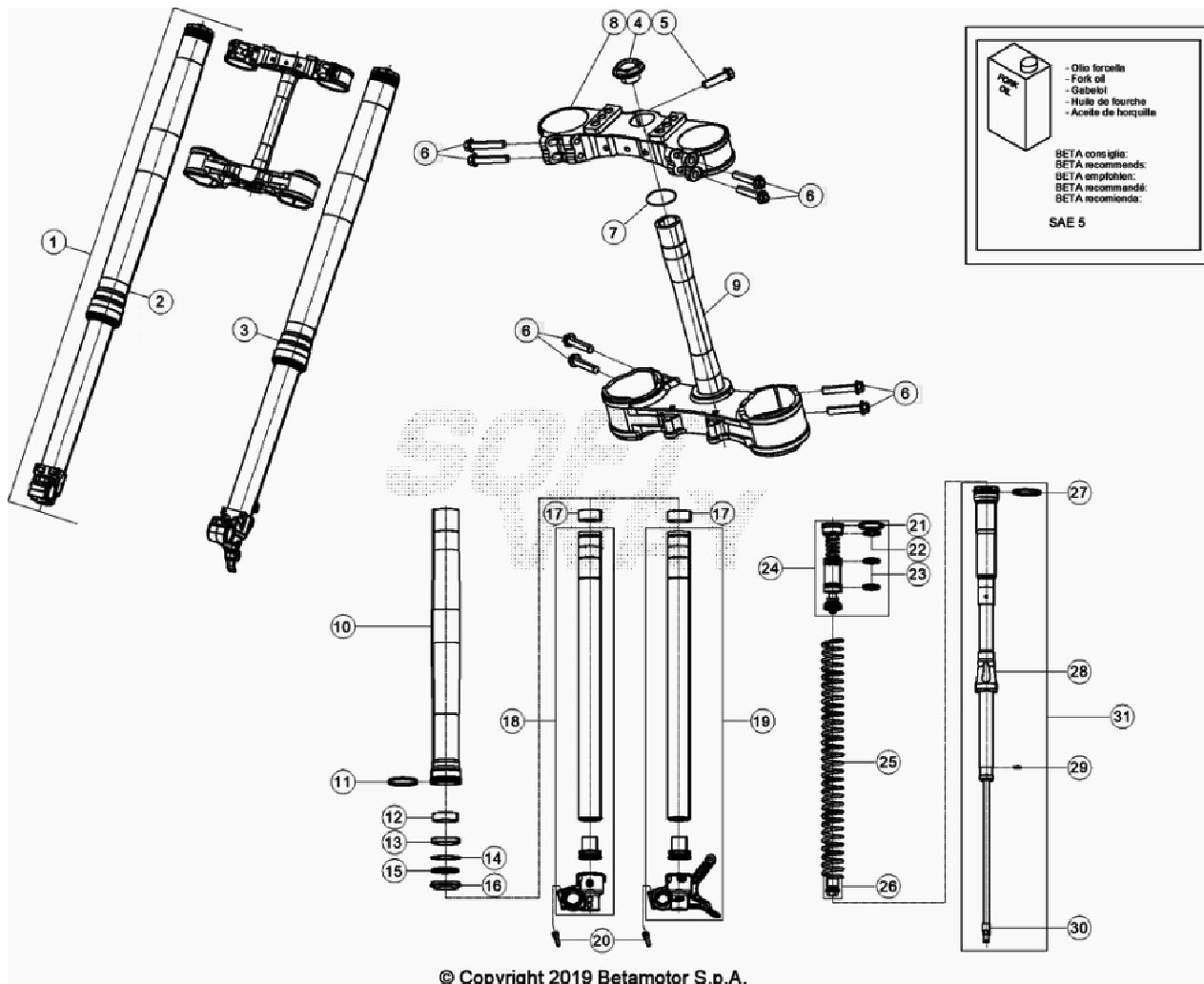
| Ref. | Part Number      | Description                        | Parts |
|------|------------------|------------------------------------|-------|
| 1    | 040.33.000.80.00 | SHOCK ABSORBER RR 2T<br>NEW        | 1     |
| 2    | 037.33.009.00.00 | SHOCK ABSORBER BUMPER<br>NEW       | 1     |
| 3    | 037.33.010.00.00 | SHOCK ABSORBER FORK<br>NEW         | 1     |
| 4    | 1.386.078.800    | SHOCK ABSORBER SPACERS *SET*       | 1     |
| 5    | 037.33.011.82.00 | GASKET - KIT<br>NEW                | 0     |
| 6    | 037.33.007.00.00 | SPRING CAP<br>NEW                  | 1     |
| 7    | 026.33.020.00.00 | PISTON                             | 1     |
| 8    | 026.33.022.00.00 | SPRING K 5,2 N/MM                  | 1     |
| 9    | 026.33.019.00.00 | SHOCK ABSORBER ADJUSTING NUT - KIT | 1     |
| 10   | 026.33.012.00.00 | SHOCK ABSORBER GAS TANK            | 1     |
| 11   | 026.33.013.00.00 | MEMBRANE                           | 1     |
| 12   | 026.33.014.00.00 | CAP                                | 1     |

---

|    |                  |                            |   |
|----|------------------|----------------------------|---|
| 13 | 037.33.013.00.00 | CAP<br>NEW                 | 1 |
| 14 | 037.33.014.00.00 | SHOCK ABSORBER BODY<br>NEW | 1 |
| 15 | 037.33.015.00.00 | SHOCK ABSORBER BODY<br>NEW | 1 |
| 16 | 031.33.012.00.00 | WASHER                     | 1 |
| 17 | 026.33.021.00.00 | ADJUSTMENT                 | 1 |
| 18 | 031.33.014.00.00 | WASHER                     | 1 |
| 19 | 037.33.016.00.00 | FORK TUBE<br>NEW           | 1 |
| 20 | 037.33.017.00.00 | GUIDE<br>NEW               | 1 |
| 21 | 026.33.026.00.00 | CAP                        | 1 |
| 22 | 040.33.002.80.00 | FORK TUBE ASSY<br>NEW      | 1 |

---



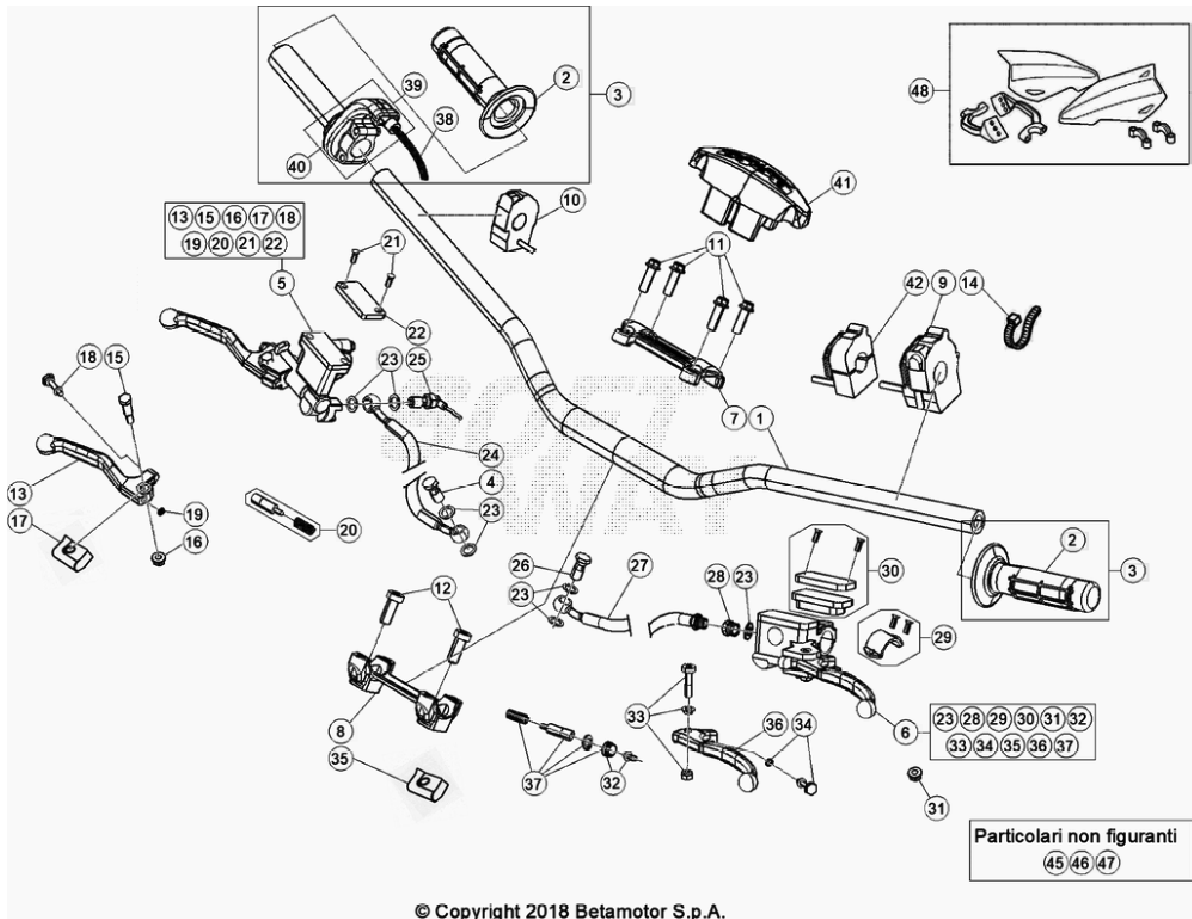


© Copyright 2019 Betamotor S.p.A.

| Ref. | Part Number      | Description                              | Parts |
|------|------------------|--|-------|
| 1    | 040.34.005.80.00 | FRONT FORK ASSY RR 2T RACING MY20<br>NEW | 1     |
| 2    | 040.34.006.80.61 | RIGHT FORK LEG RR 2T RACING<br>NEW       | 1     |
| 3    | 040.34.007.80.61 | LEFT FORK LEG RR 2T RACING<br>NEW        | 1     |
| 4    | 020.34.004.00.00 | FRONT FORK 20X1,5 NUT RR 4T MY'11        | 1     |
| 5    | 1.155.440.000    | BOLT 8.30 RS CH10                        | 1     |
| 6    | 1.155.510.000    | BOLT 8.40                                | 8     |
| 7    | 1.066.420.000    | O-RING 20,22.3,53 NBR                    | 1     |
| 8    | 026.34.036.42.59 | TRIPLE CLAMP                             | 1     |
| 9    | 026.34.037.82.59 | TRIPLE CLAMP ASSY                        | 1     |
| 10   | 037.34.021.00.00 | FORK SLIDER<br>NEW                       | 2     |

|    |                  |                          |   |
|----|------------------|--------------------------|---|
| 11 | 037.34.059.00.00 | SEALING RING<br>NEW      | 2 |
| 12 | 037.34.023.00.00 | BUSH<br>NEW              | 2 |
| 13 | 037.34.024.00.00 | SEALING RING<br>NEW      | 2 |
| 14 | 037.34.025.00.00 | STOP RING<br>NEW         | 2 |
| 15 | 037.34.026.00.00 | GUARD<br>NEW             | 2 |
| 16 | 037.34.027.00.00 | DUST COLLAR<br>NEW       | 2 |
| 17 | 037.34.022.00.00 | BUSH<br>NEW              | 2 |
| 18 | 037.34.032.00.00 | FORK TUBE ASSY<br>NEW    | 1 |
| 19 | 037.34.033.00.00 | FORK TUBE ASSY<br>NEW    | 1 |
| 20 | 037.34.031.00.00 | SCREW M8X25<br>NEW       | 4 |
| 21 | 037.34.045.00.00 | SEALING RING<br>NEW      | 2 |
| 22 | 037.34.046.00.00 | SEALING RING<br>NEW      | 2 |
| 23 | 037.34.047.00.00 | SEALING RING<br>NEW      | 4 |
| 24 | 040.34.012.00.00 | FORK CAP<br>NEW          | 2 |
| 25 | 037.34.054.00.00 | SPRING K 4.4 N/MM<br>NEW | 2 |
| 26 | 037.34.030.00.00 | ADJUSTMENT<br>NEW        | 2 |
| 27 | 037.34.035.00.00 | SEALING RING<br>NEW      | 2 |
| 28 | 037.34.034.00.00 | SPRING GUIDE<br>NEW      | 2 |
| 29 | 037.34.039.00.00 | SEALING RING<br>NEW      | 2 |
| 30 | 037.34.036.00.00 | NUT<br>NEW               | 2 |

|    |                  |                 |   |
|----|------------------|-----------------|---|
| 31 | 040.34.013.00.00 | EXTENSION GROUP | 2 |
|    |                  | NEW             |   |



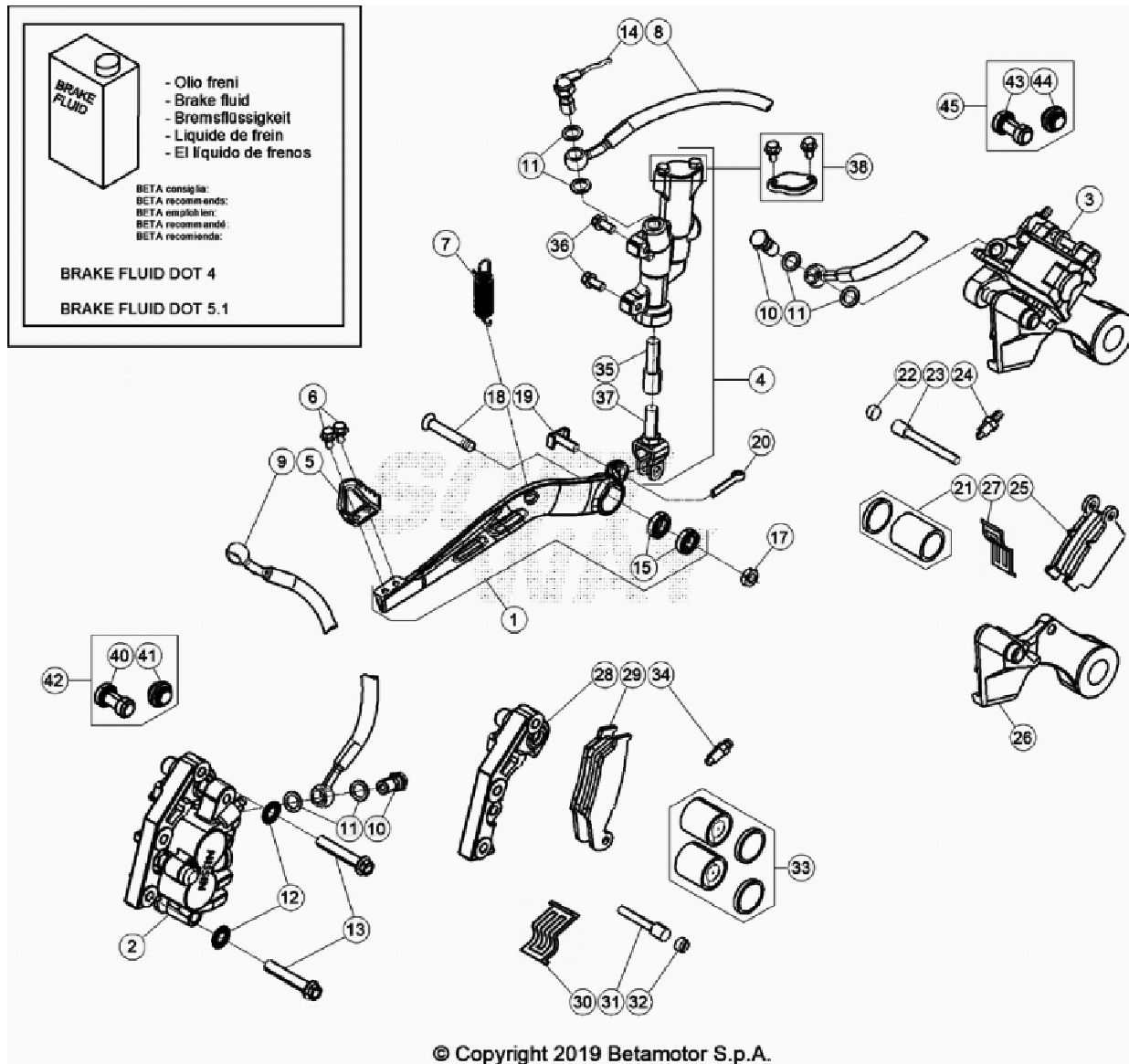
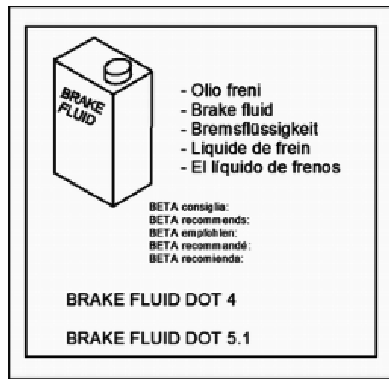
| Ref. | Part Number      | Description                           | Parts |
|------|------------------|---------------------------------------|-------|
| 1    | 037.35.000.00.59 | HANDLEBAR BLACK<br>NEW                | 1     |
| 2    | 036.35.005.00.00 | GRIPS (PAIR)                          | 0     |
| 3    | 026.35.002.80.00 | TWIST GRIP                            | 0     |
| 4    | 1.165.053.000    | RR4T BRAKE TUBE M10X25 BOLT           | 1     |
| 5    | 2.102.057.059    | FRONT BRAKE LEVER                     | 1     |
| 6    | 020.35.020.00.00 | CLUTCH LEVER                          | 1     |
| 7    | 1.208.253.000    | UPPER HANDLEBAR BRACKET, FORK15.08050 | 1     |
| 8    | 1.208.263.000    | LOWER HANDLEBAR BRACKET, FORK15.08050 | 1     |
| 9    | 016.35.010.00.00 | DEVICE, RR 4T                         | 1     |
| 10   | 026.40.047.00.00 | DEVICE                                | 1     |
| 11   | 3.164.070.000    | SCREW 8.30                            | 4     |
| 12   | 3.165.626.000    | SCREW TCCE M10.25 SPECIAL HEAD        | 2     |
| 13   | 2.127.104.000    | FRONT BRAKE LEVER ONLY (2102057)      | 1     |
| 14   | 1.514.264.000    | WHITE CLAMP                           | 3     |

|    |                  |                                      |   |
|----|------------------|--------------------------------------|---|
| 15 | 3.196.832.000    | RR4Y BRAKE LEVER SPECIAL SCREW       | 1 |
| 16 | 1.330.911.000    | SPECIAL NUT BRAKE LEVER RR4T         | 1 |
| 17 | 1.633.841.000    | GROMMET                              | 1 |
| 18 | 3.188.604.000    | BRAKE LEVER ADJUSTING SCREW          | 1 |
| 19 | 2.238.704.000    | SPRING FOR BRAKE LEVER ADJUSTMENT    | 1 |
| 20 | 2.008.258.000    | BRAKE PUMP PISTON ASSY               | 1 |
| 21 | 3.123.410.052    | SCREW                                | 2 |
| 22 | 031.36.003.82.00 | REAR PLIER KIT                       | 1 |
| 23 | 1.650.510.000    | GASKET 10.15.1 COPPER                | 7 |
| 24 | 037.36.002.00.00 | BRAKE HOSE<br>NEW                    | 1 |
| 25 | 1.889.621.000    | STOP SWITCH, M10 X 1,25              | 1 |
| 26 | 1.165.040.000    | SPECIAL BOLT                         | 1 |
| 27 | 026.35.014.00.00 | CLUTCH TUBE                          | 1 |
| 28 | 020.35.032.00.00 | JOINT.P.                             | 1 |
| 29 | 020.35.025.00.00 | CLAMP, CLUTCH CONTROL LEVER          | 1 |
| 30 | 020.35.023.00.00 | RESERVOIR CAP, CLUTCH CONTROLLEVER   | 1 |
| 31 | 020.35.028.00.00 | ANTI-BUBBLE, CLUTCH CONTROL LEVER    | 1 |
| 32 | 020.35.029.00.00 | PUSH-ROD, CLUTCH CONTROL LEVER       | 1 |
| 33 | 020.35.024.00.00 | LEVER PIN, CLUTCH CONTROL LEVER      | 1 |
| 34 | 020.35.030.00.00 | SPRING GUIDE, CLUTCH CONTROL LEVER   | 1 |
| 35 | 020.35.027.00.00 | DUST COVER, CLUTCH CONTROL LEVER     | 1 |
| 36 | 020.35.022.00.00 | LEVER, CLUTCH CONTROL LEVER          | 1 |
| 37 | 020.35.026.00.00 | PISTON SET, CLUTCH CONTROL LEVER     | 1 |
| 38 | 026.35.011.82.00 | GAS TRASMISSION                      | 1 |
| 39 | 026.35.010.00.00 | TWIST GRIP, RR 2T                    | 1 |
| 40 | 031.35.013.00.00 | GUARD                                | 1 |
| 41 | 037.43.016.00.59 | HANDLEBAR PROTECTION BLACK RR<br>NEW | 1 |
| 42 | 007.40.088.00.00 | ECU MAP SWITCH EVO                   | 1 |
| 45 | 1.230.100.000    | HOLDER WITH MIRROR CONNECTION        | 1 |
| 46 | 2.892.927.000    | RH MIRROR                            | 1 |

---

|    |                  |                  |   |
|----|------------------|------------------|---|
| 47 | 031.35.008.00.00 | MIRROR           | 1 |
| 48 | 026.46.005.82.51 | RR HANDGUARD KIT | 1 |

---



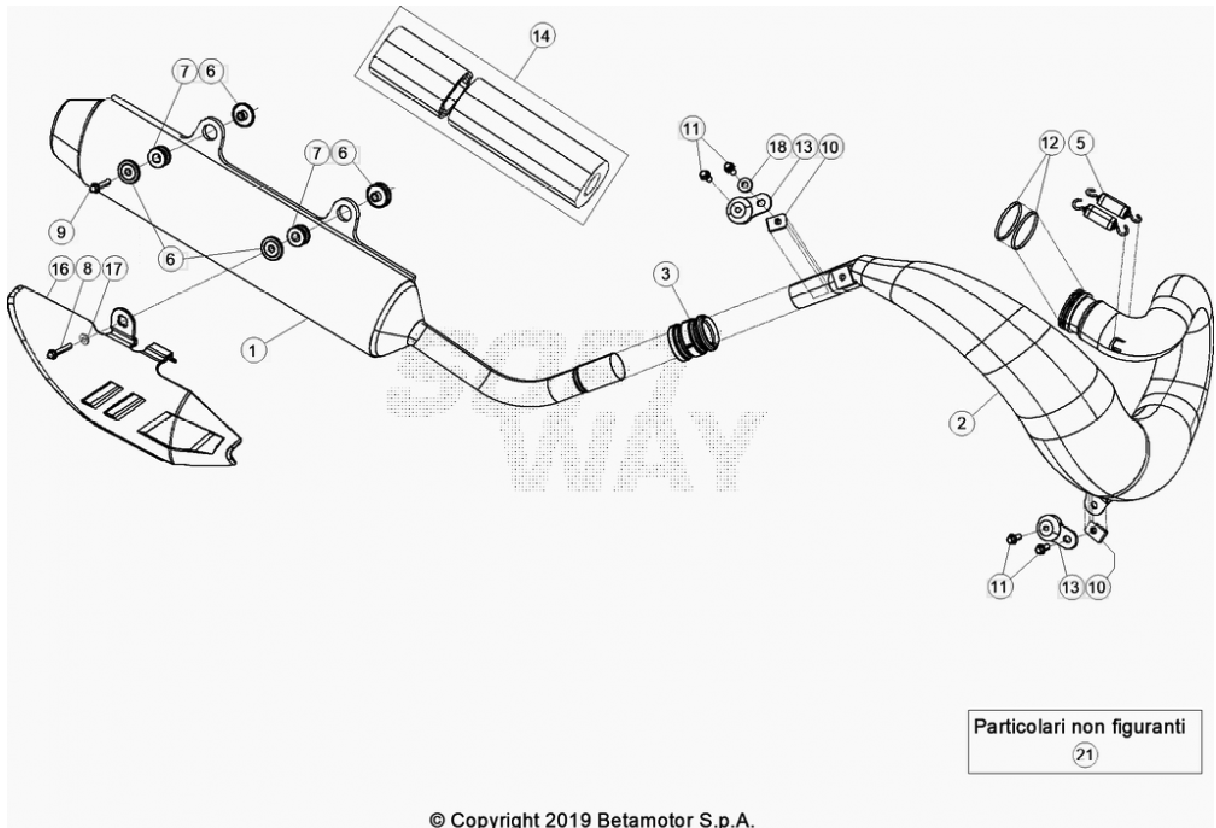
© Copyright 2019 Betamotor S.p.A.

| Ref. | Part Number      | Description                     | Parts |
|------|------------------|---------------------------------|-------|
| 1    | 037.36.004.80.59 | NEW                             | 1     |
| 2    | 2.503.056.000    | FRONT DISC BRAKE CALIPER, RR 4T | 1     |
| 3    | 2.503.066.000    | REAR DISC BRAKE CALIPER, RR 4T  | 1     |
| 4    | 2.591.178.000    | PUMP, REAR BRAKE                | 1     |
| 5    | 2.290.053.000    | FOOTREST HUB, RR 4T             | 1     |
| 6    | 1.146.251.000    | BOLT 5,12                       | 2     |
| 7    | 2.248.813.000    | SPRING                          | 1     |
| 8    | 2.909.428.000    | REAR BRAKE HOSE, RR 4T '07      | 1     |
| 9    | 037.36.002.00.00 | BRAKE HOSE<br>NEW               | 1     |
| 10   | 1.165.053.000    | RR4T BRAKE TUBE M10X25 BOLT     | 2     |

|    |                  |   |   |
|----|------------------|---|---|
| 11 | 1.650.510.000    | GASKET 10.15.1 COPPER                       | 6 |
| 12 | 2.756.055.000    | WASHER 8.13 KNURLED<br>NEW                  | 2 |
| 13 | 1.155.470.000    | BOLT 8.35<br>NEW                            | 2 |
| 14 | 1.889.621.000    | STOP SWITCH, M10 X 1,25                     | 1 |
| 15 | C06.01.047.00.00 | BEARING 10X26X8 - 2RSH<br>NEW               | 2 |
| 16 | 2.524.442.000    | FAIR LEAD, 6/8                              | 1 |
| 17 | 1.321.060.000    | NUT, M10X1,25 H.8.5 14MM SELF-LOCKING       | 1 |
| 18 | 037.36.001.00.00 | SPECIAL BOLT M10x1,25x35<br>NEW             | 1 |
| 19 | 2.541.830.000    | PIN   | 1 |
| 20 | 1.281.995.000    | CLIP 2.15 INOX                              | 1 |
| 21 | 2.002.717.000    | PISTON & OIL SEAL KIT FOR PLIERS<br>2503066 | 1 |
| 22 | 3.196.821.000    | PIN PLUG, FOR 2503056/2503066               | 1 |
| 23 | 2.541.860.000    | PIN HANGER, FOR 25.03066.000                | 1 |
| 24 | 2.891.002.000    | BREATHER PIPE                               | 1 |
| 25 | 2.525.362.000    | BRAKE PADS                                  | 1 |
| 26 | 020.36.011.00.00 | REAR BRAKE CALIPER BRACKET ASSY             | 1 |
| 27 | 2.232.208.000    | BRAKE PADS SPRING FOR PLIERS                | 1 |
| 28 | 020.36.012.00.00 | FRONT BRAKE CALIPER BRACKET ASSY            | 1 |
| 29 | 2.525.361.000    | BRAKE PADS                                  | 1 |
| 30 | 2.232.207.000    | BRAKE PADS SPRING FOR PLIERS                | 1 |
| 31 | 2.541.859.000    | PIN HANGER, FOR 25.03056.000                | 1 |
| 32 | 3.196.821.000    | PIN PLUG, FOR 2503056/2503066               | 1 |
| 33 | 2.002.716.000    | PISTON & OIL SEAL KIT FOR PLIERS<br>2503056 | 1 |
| 34 | 2.891.001.000    | BREATHER PIPE                               | 1 |
| 35 | 2.008.276.000    | KIT PISTON, BRAKE PUMP 25.91178             | 1 |
| 36 | 3.130.750.000    | SCREW 6.16                                  | 2 |
| 37 | 2.008.277.000    | KIT LEVER, BRAKE PUMP 25.91178              | 1 |
| 38 | 2.008.275.000    | KIT, BRAKE PUMP TANK 25.91178               | 1 |



|    |                  |                 |   |
|----|------------------|-----------------|---|
| 40 | 036.36.002.00.00 | PROTECTOR       | 1 |
| 41 | 036.36.003.00.00 | PROTECTOR       | 1 |
| 42 | 036.36.006.82.00 | FRONT PROTECTOR | 1 |
| 43 | 036.36.004.00.00 | PROTECTOR       | 1 |
| 44 | 036.36.005.00.00 | PROTECTOR       | 1 |
| 45 | 036.36.007.82.00 | REAR PROTECTOR  | 1 |



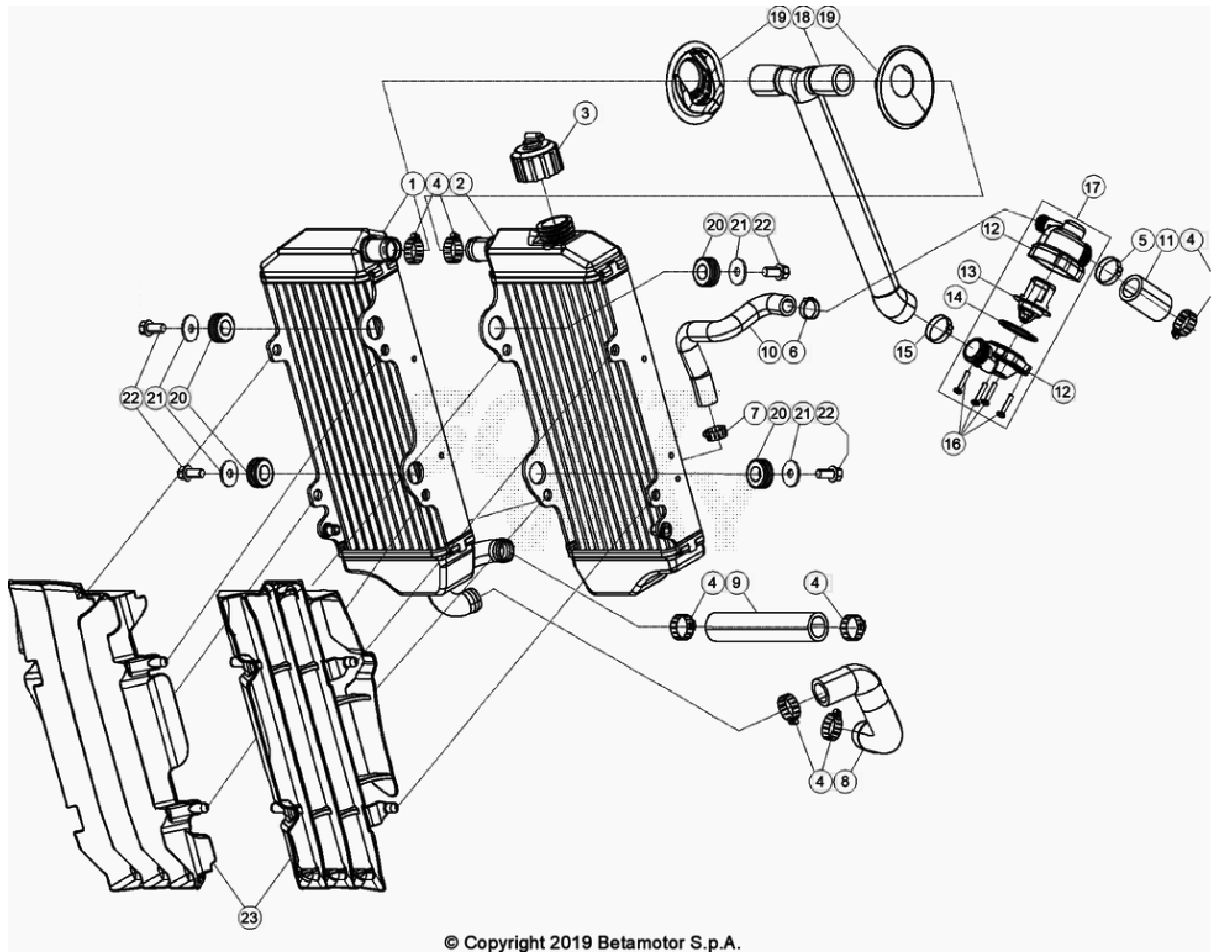
| Ref. | Part Number      | Description                     | Parts |
|------|------------------|---------------------------------|-------|
| 1    | 040.37.000.80.00 | SILENCER RR 2T<br>NEW           | 1     |
| 2    | 026.37.023.00.00 | EXHAUST RR 2T                   | 1     |
| 3    | 026.37.103.00.00 | EXHAUST GASKET                  | 1     |
| 5    | 026.37.005.00.00 | SPRING, EXAUST PIPE RR 2T       | 2     |
| 6    | 026.37.006.00.00 | SPACER                          | 4     |
| 7    | 032.37.013.00.00 | EXHAUST PIPE SILENT-BLOCK, RR4T | 2     |
| 8    | 1.150.355.000    | BOLT 6.35 RS CH8                | 1     |
| 9    | 1.150.300.000    | BOLT 6.30 RS CH8                | 1     |
| 10   | 2.560.311.000    | M6 SCREW PLATE                  | 2     |
| 11   | 1.148.025.000    | BOLT 6.16                       | 4     |
| 12   | C02.06.051.00.00 | OIL SEAL OR 43,00.3,00          | 2     |
| 13   | 2.891.943.000    | SILENT-BLOCK                    | 2     |
| 14   | 026.37.007.82.00 | KIT FOR SILENCER OVERHAULING    | 1     |
| 16   | 040.37.002.82.59 | SILENCER GUARD BLACK RR 2T      | 1     |

---

NEW

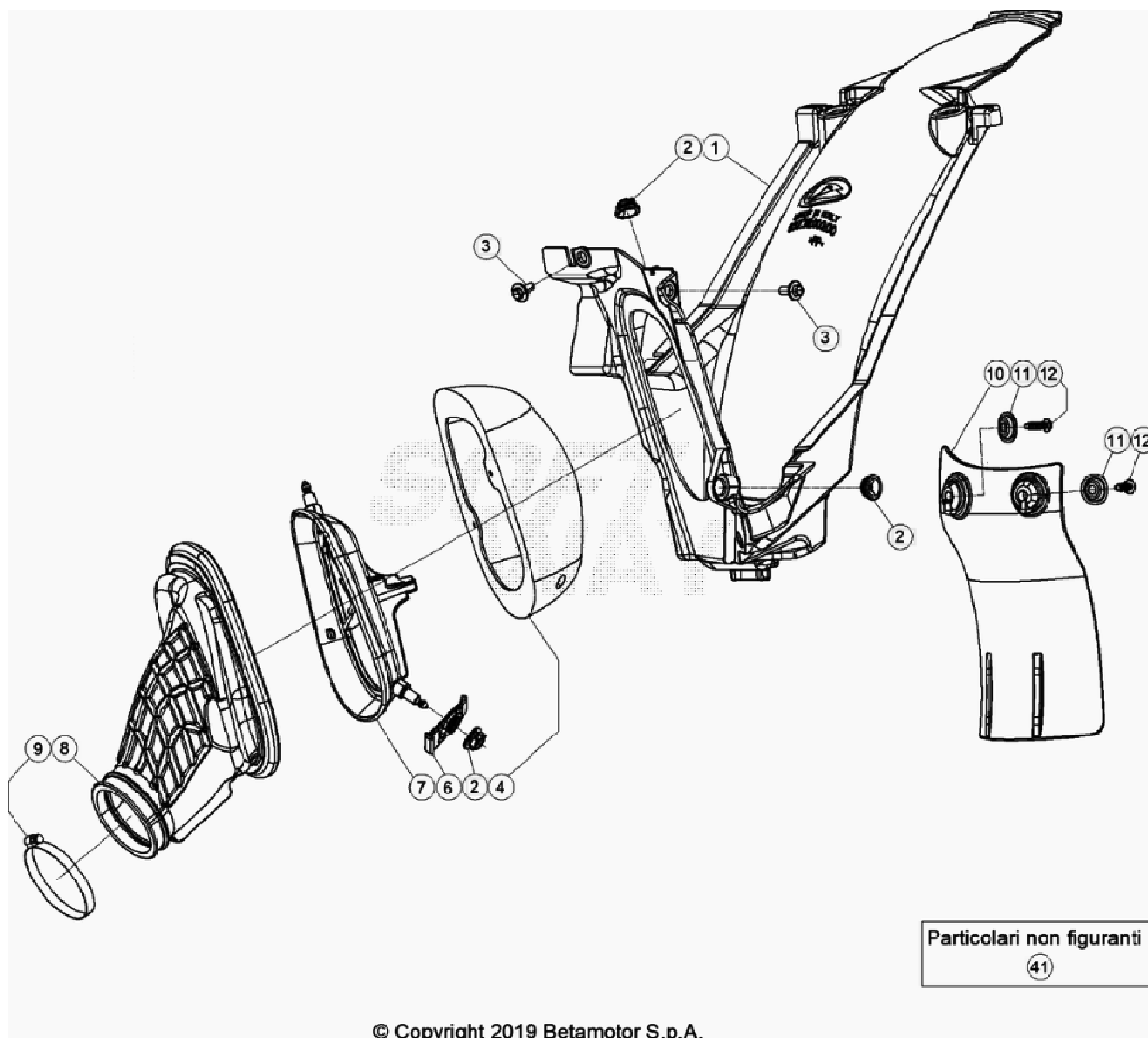
---

|    |                  |                            |   |
|----|------------------|----------------------------|---|
| 17 | 1.354.841.000    | SPACER 6,5/10,0/16,0 . 4,3 | 1 |
| 18 | 2.742.000.000    | WASHER 6.18                | 1 |
| 21 | 026.37.016.80.00 | EXHAUST 2T                 | 1 |



| Ref. | Part Number      | Description             | Parts |
|------|------------------|-------------------------|-------|
| 1    | 040.39.001.00.00 | RADIATOR RR 2T<br>NEW   | 1     |
| 2    | 041.39.004.00.00 | RADIATOR RR 2T<br>NEW   | 1     |
| 3    | 036.39.008.00.00 | WATER TANK COVER<br>NEW | 1     |
| 4    | 1.515.240.000    | CLAMP 16/27             | 7     |
| 5    | C07.16.005.00.00 | TIE WRAP                | 1     |
| 6    | 020.39.009.00.00 | SELF LOCKING CLAMP, 17  | 1     |
| 7    | 1.515.220.000    | CLAMP                   | 1     |
| 8    | 026.39.006.00.00 | WATER PUMP PIPE         | 1     |
| 9    | 040.39.007.00.00 | WATER HOSE RR 2T<br>NEW | 1     |
| 10   | 040.39.008.00.00 | WATER HOSE RR 2T<br>NEW | 1     |
| 11   | 041.39.002.00.00 | WATER HOSE RR 2T 200    | 1     |

| NEW |                  |                               |   |
|-----|------------------|-------------------------------|---|
| 12  | 037.39.006.00.00 | THERMOSTAT CASE RR            | 0 |
| NEW |                  |                               |   |
| 13  | 026.39.013.00.00 | TERMOSTAT RR TS               | 1 |
| 14  | 1.066.830.000    | O-RING                        | 1 |
| 15  | C07.16.007.00.00 | TIE WRAP D26                  | 1 |
| 16  | 031.39.017.50.00 | SCREW M3,5X18                 | 4 |
| 17  | 040.39.003.80.00 | THERMOSTAT RR 2T              | 1 |
| NEW |                  |                               |   |
| 18  | 040.39.004.00.00 | THERMOSTAT HOSE RR 2T         | 1 |
| NEW |                  |                               |   |
| 19  | 037.39.015.00.00 | CAP                           | 2 |
| NEW |                  |                               |   |
| 20  | 035.39.006.00.00 | SILENT BLOCK                  | 4 |
| 21  | 2.743.250.000    | WASHER 6.24                   | 4 |
| 22  | 1.147.015.000    | BOLT 6.12 RS CH8              | 4 |
| 23  | 037.39.003.00.51 | RADIATOR LOUVER PAIR WHITE RR | 1 |
| NEW |                  |                               |   |

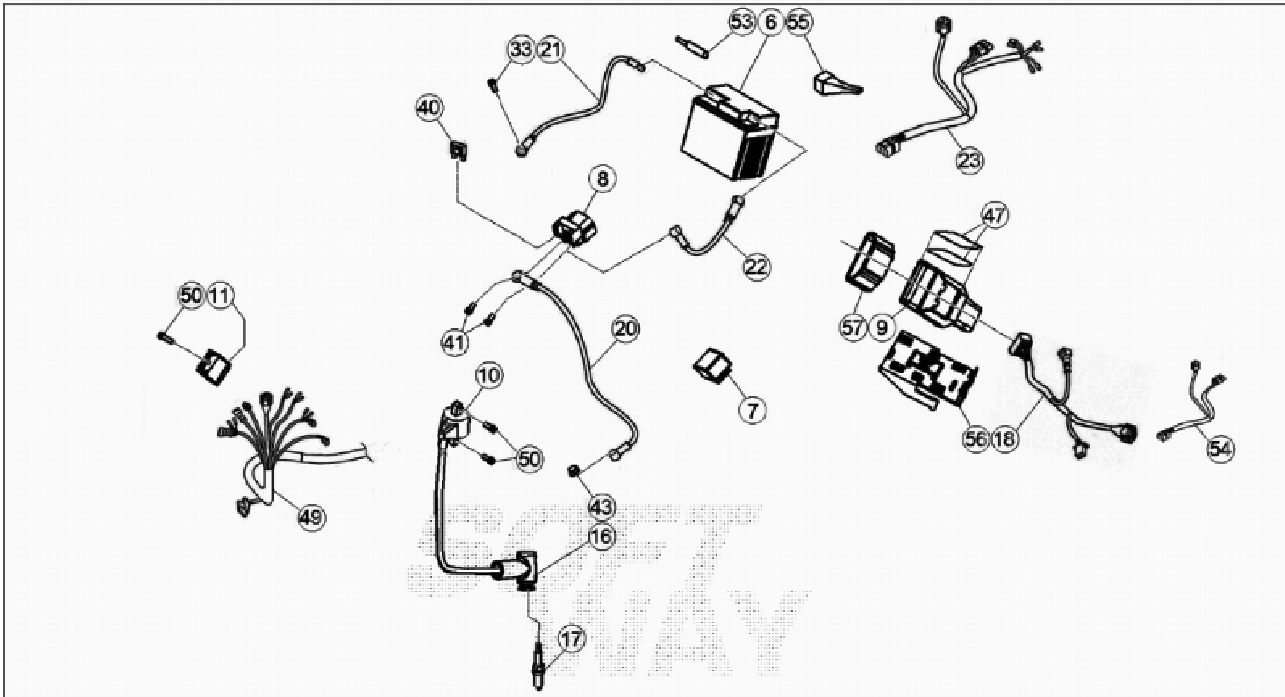


© Copyright 2019 Betamotor S.p.A.

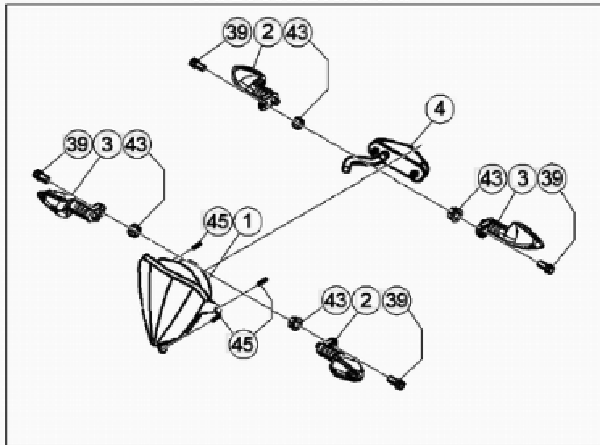
| Ref. | Part Number      | Description                     | Parts |
|------|------------------|---------------------------------|-------|
| 1    | 037.38.000.87.59 | AIRBOX BLACK RR<br>NEW          | 1     |
| 2    | 037.38.003.00.00 | INSERT<br>NEW                   | 3     |
| 3    | 037.43.029.00.00 | SPECIAL BOLT M6X12<br>NEW       | 2     |
| 4    | 037.38.002.82.00 | AIR FILTER<br>NEW               | 1     |
| 6    | 037.38.006.00.59 | AIR BOX BRACKET BLACK RR<br>NEW | 1     |
| 7    | 037.38.001.00.00 | AIR FILTER CAGE RR<br>NEW       | 1     |
| 8    | 040.38.000.00.00 | AIRBOX SLEEVE RR 2T<br>NEW      | 1     |
| 9    | 1.514.272.000    | CLAMP                           | 1     |

|    |                  |                       |   |
|----|------------------|-----------------------|---|
| 10 | 026.38.007.10.59 | PROTECTION REAR SHOCK | 1 |
| 11 | 2.774.786.000    | WASHER                | 2 |
| 12 | 3.130.815.000    | SCREW 6.20            | 2 |
| 41 | 040.38.002.82.00 | AIR FILTER RR 2T      | 1 |
|    |                  | NEW                   |   |

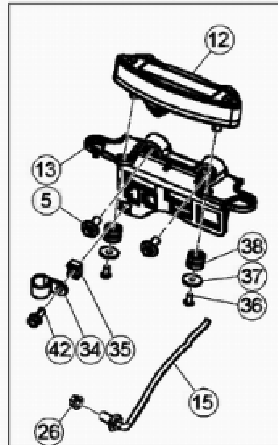
GR. COMPONENTI ELETTRICI/CABLAGGI



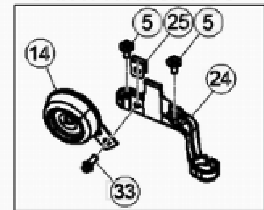
GR. LUCI/INDICATORI



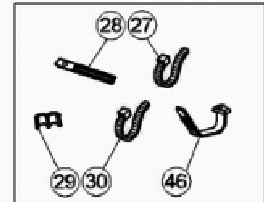
GR. STRUMENTAZIONE



GR. AVV. ACUSTICO



GR. ACCESSORI



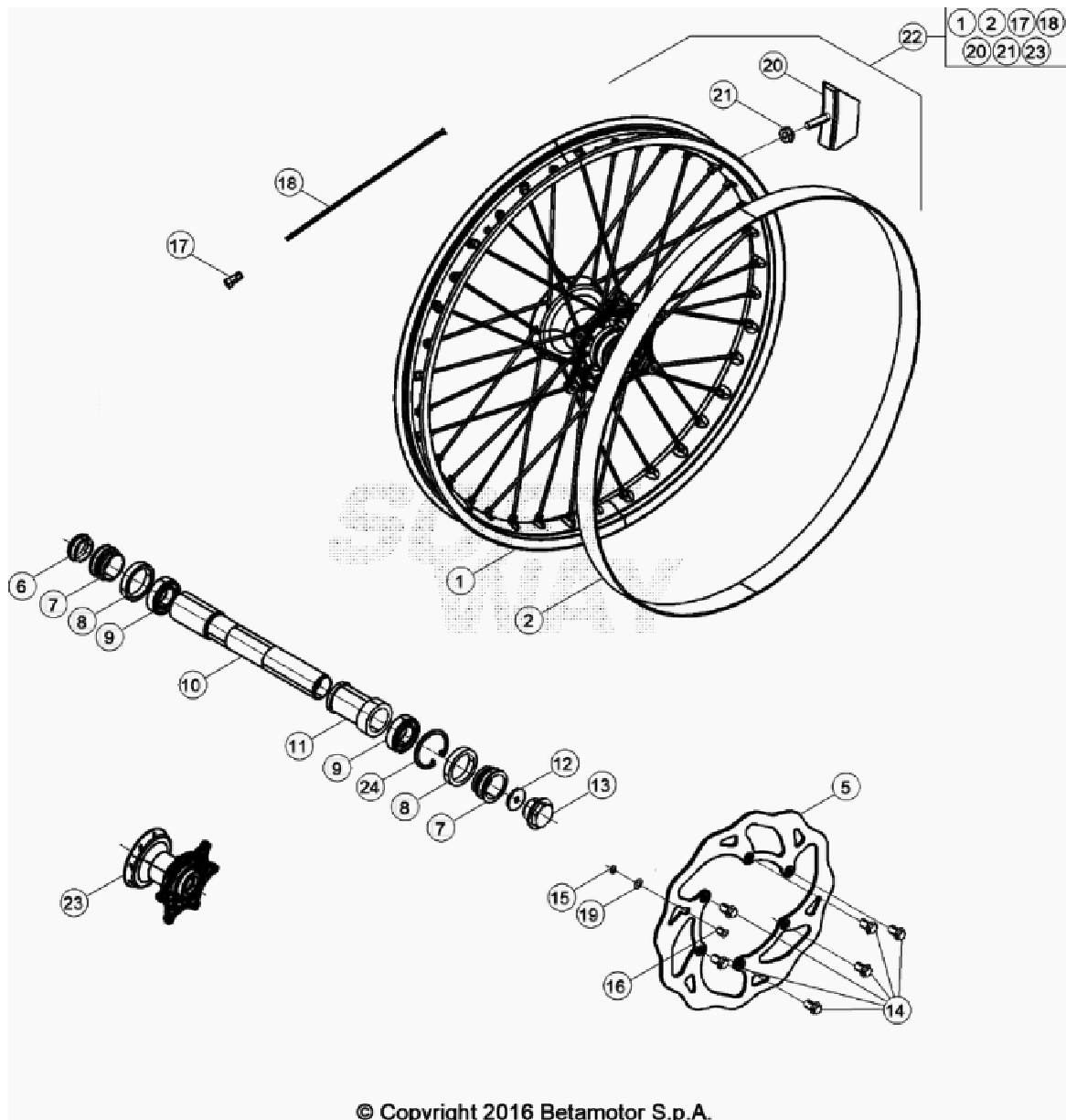
© Copyright 2019 Betamotor S.p.A.

| Ref. | Part Number      | Description              | Parts |
|------|------------------|--------------------------|-------|
| 1    | 031.40.006.00.00 | HEADLIGHT                | 1     |
| 2    | 020.40.061.00.00 | BLINKER F/LF - R/RH      | 2     |
| 3    | 020.40.060.00.00 | BLINKER F/RH - R/LF      | 2     |
| 4    | 037.40.012.00.00 | REAR HEADLIGHT<br>NEW    | 1     |
| 5    | 037.43.028.00.00 | SPECIAL BOLT M6X8<br>NEW | 4     |
| 6    | 031.40.124.00.00 | BATTERY<br>NEW           | 1     |



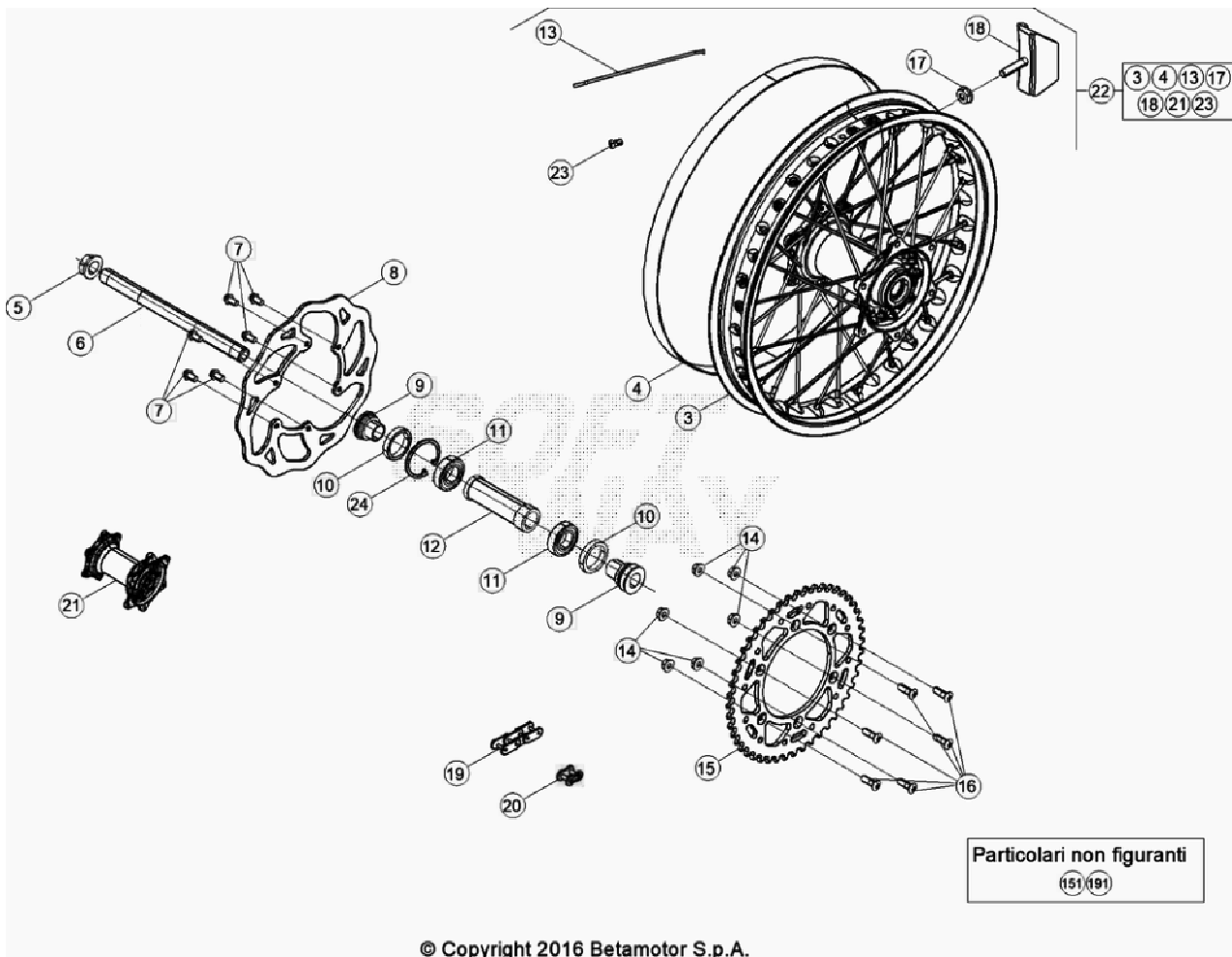
|    |                  |                                       |   |
|----|------------------|---------------------------------------|---|
| 7  | 1.884.948.000    | FLASHING DEVICE                       | 1 |
| 8  | 2.728.471.000    | RELAIS, STARTING                      | 1 |
| 9  | 040.40.007.82.00 | CONTROL UNIT RR 2T 250 MY20<br>NEW    | 1 |
| 10 | 006.40.010.80.00 | INGNITION COIL RR 4T MY'10            | 1 |
| 11 | 2.728.101.000    | RECTIFIER, ENGINE 250/400/450/525 EXC | 1 |
| 12 | 040.40.004.00.00 | DIGITAL DASHBOARD RR 2T<br>NEW        | 1 |
| 13 | 037.40.001.00.00 | DASHBOARD BRACKET RR<br>NEW           | 1 |
| 14 | 007.40.050.00.00 | HORN                                  | 1 |
| 15 | 031.40.166.00.00 | REED SENSOR<br>NEW                    | 1 |
| 16 | 2.713.514.000    | SPARK PLUG PROTECTIOR CR65-2001       | 1 |
| 17 | 1.225.123.000    | SPARK PLUG, NGK BR8 ECM               | 1 |
| 18 | 040.40.000.00.00 | MAIN WIRING HARNESS RR 2T             | 1 |
| 20 | 040.40.002.00.00 | RELAY WIRING HARNESS RR 2T<br>NEW     | 1 |
| 21 | 020.40.002.00.00 | RR4T MY'10 GROUND WIRING SYSTEM       | 1 |
| 22 | 037.40.007.00.00 | RELAY WIRING HARNESS<br>NEW           | 1 |
| 23 | 040.40.006.00.00 | SECONDARY WIRING HARNESS RR 2T<br>NEW | 1 |
| 24 | 037.40.023.00.59 | HORN BRACKET BLACK RR<br>NEW          | 1 |
| 25 | 2.560.311.000    | M6 SCREW PLATE                        | 1 |
| 26 | 1.317.121.000    | NUT M8, SPECIAL CH.10                 | 1 |
| 27 | 037.40.026.00.00 | TIE WRAP<br>NEW                       | 5 |
| 28 | 1.514.268.000    | CLAMP                                 | 1 |
| 29 | 2.524.443.000    | FAIR LEAD, 6/6                        | 4 |
| 30 | 1.514.264.000    | WHITE CLAMP                           | 6 |
| 33 | 1.146.501.000    | BOLT 6.10                             | 2 |

|    |                  |                                       |   |
|----|------------------|---------------------------------------|---|
| 34 | 2.525.182.000    | CLAMP "NYLPAS016R"                    | 1 |
| 35 | 037.40.030.00.00 | CLIP<br>NEW                           | 1 |
| 36 | 3.173.000.000    | SCREW 4.8                             | 2 |
| 37 | 2.734.800.000    | WASHER 4.16                           | 2 |
| 38 | 031.40.013.00.00 | RUBBER BUFFER                         | 2 |
| 39 | 1.148.025.000    | BOLT 6.16                             | 4 |
| 40 | 020.40.006.00.00 | 10/32V FUSE                           | 2 |
| 41 | 3.130.190.000    | SCREW 6.8                             | 2 |
| 42 | 1.146.251.000    | BOLT 5,12                             | 1 |
| 43 | 1.312.550.000    | NUT M8.5                              | 5 |
| 45 | 3.126.190.000    | SCREW 4.12                            | 3 |
| 46 | 037.43.043.00.00 | RUBBER BAND                           | 1 |
| 47 | 2.910.317.000    | RUBBER, BUMBER RR 4T                  | 2 |
| 49 | 040.40.003.00.00 | SECONDARY WIRING HARNESS RR 2T<br>NEW | 1 |
| 50 | 1.149.070.000    | BOLT 6.20                             | 3 |
| 53 | 037.40.022.00.00 | CAPACITOR<br>NEW                      | 1 |
| 54 | 026.40.057.00.00 | DIAGNOSTIC WIRING HARNESS             | 1 |
| 55 | 031.40.052.00.00 | DIODES                                | 1 |
| 56 | 040.40.001.00.00 | ECU BRACKET RR-S 2T<br>NEW            | 1 |
| 57 | 007.40.081.00.00 | ECU RUBBER BAND                       | 1 |



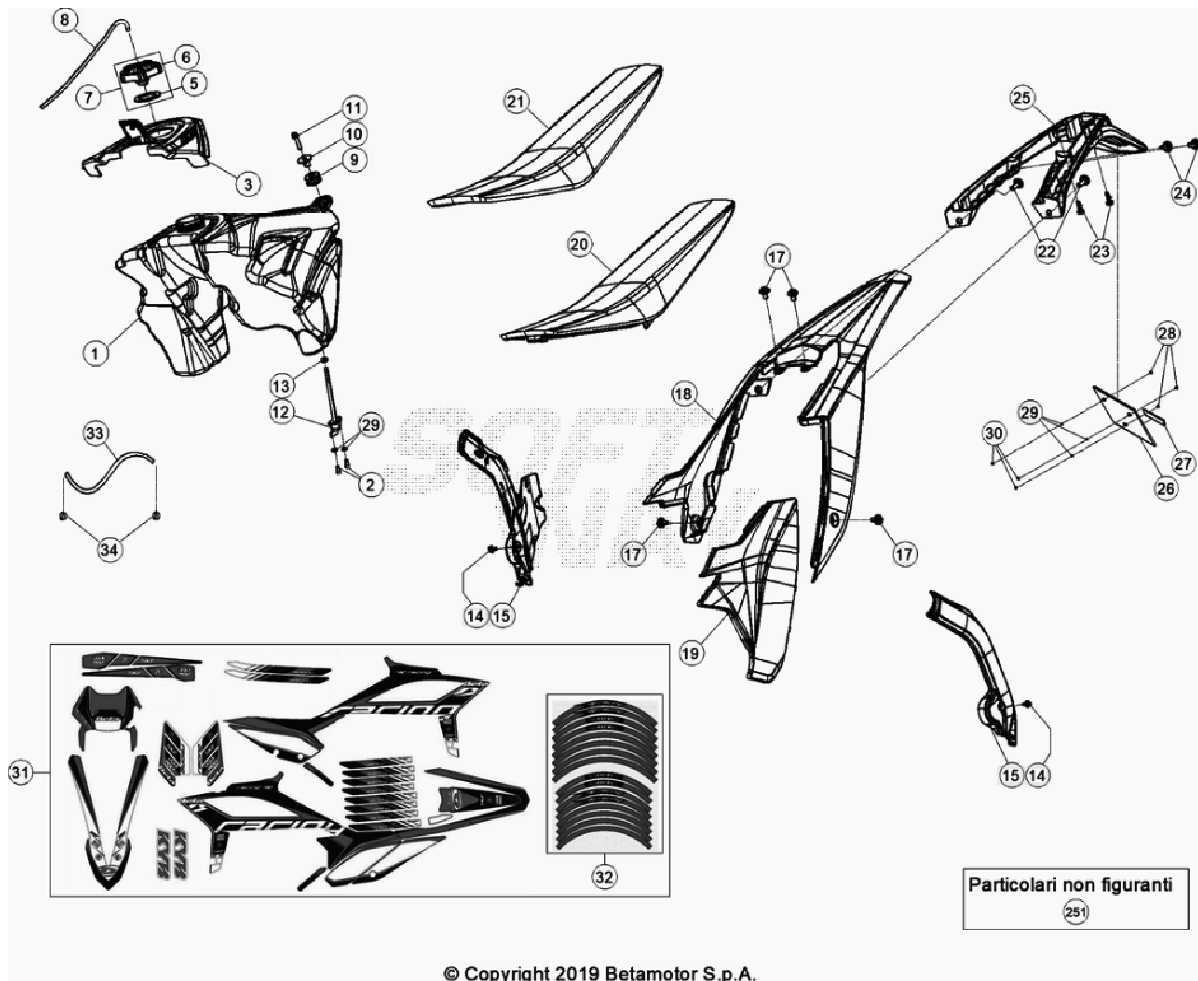
| Ref. | Part Number      | Description                      | Parts |
|------|------------------|----------------------------------|-------|
| 1    | 031.41.046.00.59 | RIM                              | 1     |
| 2    | 1.538.200.000    | BEAD 21.25                       | 1     |
| 5    | 031.41.030.00.00 | FRONT BRAKE DISK, RR 4T          | 1     |
| 6    | 026.41.002.00.00 | WHEEL SPINDLE CAP                | 1     |
| 7    | 031.41.004.00.00 | HUB SPACER, RR 4T                | 2     |
| 8    | 1.066.000.000    | SEAL 35.47.7                     | 2     |
| 9    | 020.41.003.00.00 | SEAL 30.47.9                     | 2     |
| 10   | 020.41.005.00.00 | FRONT WHEEL SPINDLE, RR 4T MY'11 | 1     |

|    |                  |  |    |
|----|------------------|--|----|
| 11 | 031.41.015.00.00 | FRONT HUB INNER SPACER, RR 4T            | 1  |
| 12 | 020.41.110.00.00 | PLUG                                     | 1  |
| 13 | 020.41.006.00.00 | PLUG, FRONT WHEEL SPINDLE RR 4T<br>MY'11 | 1  |
| 14 | 031.41.016.00.00 | DISK SPEC. SCREW M6X14                   | 6  |
| 15 | 2.822.660.000    | SEEGER 9E                                | 1  |
| 16 | 021.41.005.00.00 | HALL SENSOR                              | 1  |
| 17 | 031.41.050.00.00 | NIPPLE                                   | 36 |
| 18 | 031.41.049.00.52 | SPOKE                                    | 36 |
| 19 | 2.758.080.000    | WASHER 9 . 13 . 0,4                      | 1  |
| 20 | 036.41.010.00.00 | TIRE FASTENER                            | 1  |
| 21 | 1.317.120.000    | NUT M8                                   | 1  |
| 22 | 026.41.001.00.59 | FRONT WHEEL                              | 1  |
| 23 | 031.41.014.80.00 | FRONT HUB, RR 4T                         | 1  |
| 24 | C01.26.001.00.00 | CHECK RING 47X1,75                       | 1  |



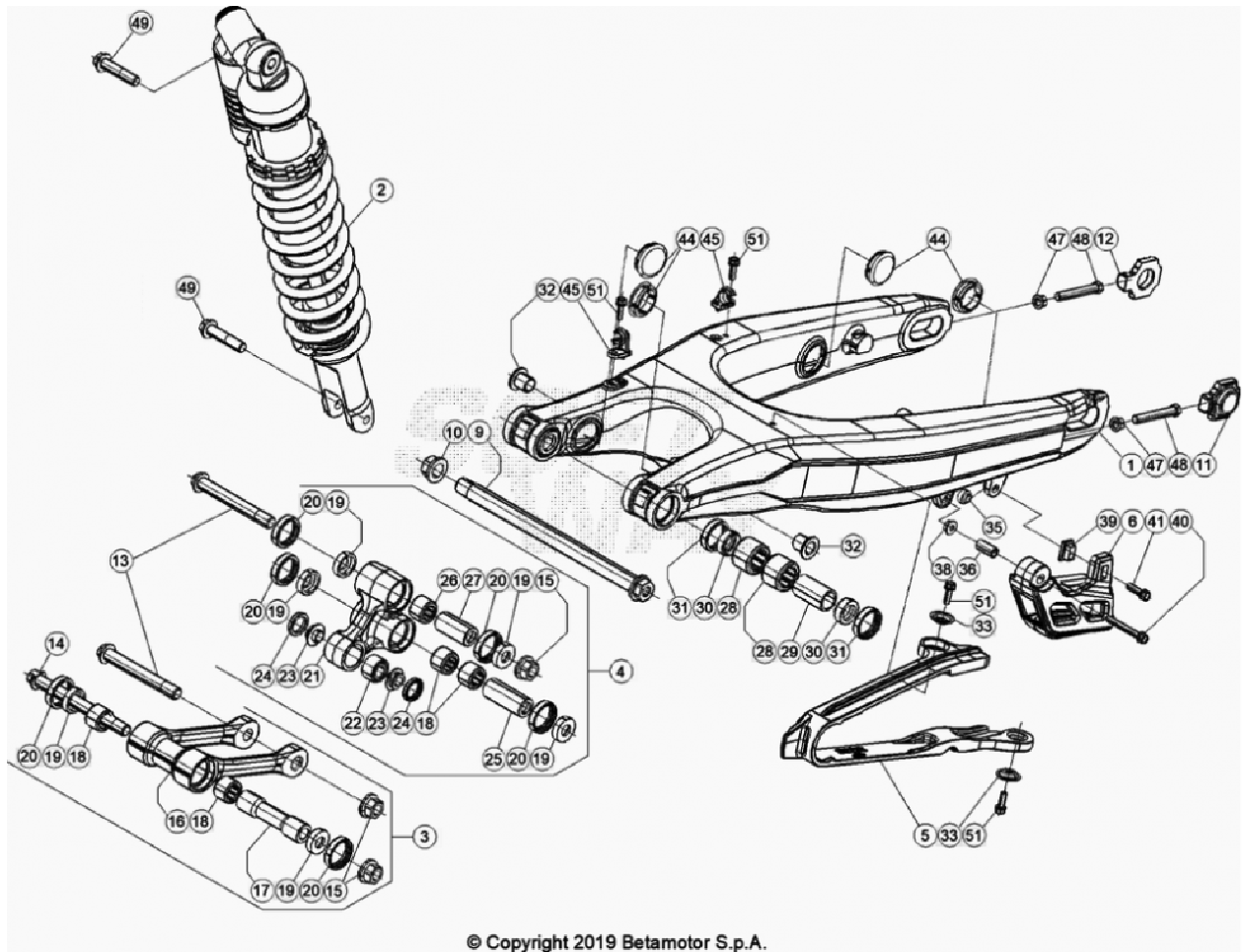
| Ref. | Part Number      | Description               | Parts |
|------|------------------|---------------------------|-------|
| 3    | 031.42.034.00.59 | RIM                       | 1     |
| 4    | 1.536.000.000    | BEAD 17/18.25             | 1     |
| 5    | 1.327.120.000    | SPECIAL NUT               | 1     |
| 6    | 2.555.812.000    | REAR WHEEL SPINDLE, RR 4T | 1     |
| 7    | 031.41.016.00.00 | DISK SPEC. SCREW M6X14    | 6     |
| 8    | 031.42.030.00.00 | BRAKE DISK, RR 4T         | 1     |
| 9    | 031.42.002.00.00 | LH HUB SPACER, RR 4T      | 2     |
| 10   | 1.066.000.000    | SEAL 35.47.7              | 2     |
| 11   | 020.42.004.00.00 | SEAL 25.47.12             | 2     |
| 12   | 031.42.005.00.00 | INNER SPACER              | 1     |
| 13   | 031.42.037.00.52 | SPOKE                     | 36    |
| 14   | 1.317.123.000    | NUT M8, (DIN 6927)        | 6     |

|     |                  |                              |    |
|-----|------------------|------------------------------|----|
| 15  | 026.42.007.00.00 | REAR SPROCKET, Z.49          | 1  |
| 16  | 3.196.827.000    | SCREW, SPEC. TGS TORXS M8X26 | 6  |
| 17  | 1.317.120.000    | NUT M8                       | 1  |
| 18  | 036.42.009.00.00 | TIRE FASTENER                | 1  |
| 19  | 035.42.002.00.00 | CHAIN                        | 1  |
| 20  | 031.42.008.00.00 | CHAIN-5/8.1/4 LINK           | 1  |
| 21  | 031.42.014.80.00 | REAR HUB, RR4T               | 1  |
| 22  | 026.42.008.00.59 | REAR WHEEL                   | 1  |
| 23  | 031.42.051.00.00 | NIPPLE                       | 36 |
| 24  | C01.26.001.00.00 | CHECK RING 47X1,75           | 1  |
| 151 | 026.42.013.00.00 | REAR SPROCKET, Z.42          | 1  |
| 191 | 1.208.204.000    | CHAIN, 5/8.1/4 P.112         | 1  |



|     |                  |                                      |   |
|-----|------------------|--------------------------------------|---|
| 12  | 020.43.007.00.00 | PETCOCK, RR 4T MY'10                 | 1 |
| 13  | 026.43.034.00.00 | OIL SEAL                             | 1 |
| 14  | C24.31.046.00.00 | SCREW M5X8 8.8 DIN6921               | 2 |
| 15  | 037.43.019.00.97 | FRAME GUARD - PAIR RED RR<br>NEW     | 1 |
| 17  | 037.43.028.00.00 | SPECIAL BOLT M6x8<br>NEW             | 4 |
| 18  | 037.43.007.87.97 | REAR FENDER RED RR<br>NEW            | 1 |
| 19  | 037.43.005.87.97 | SIDE PANEL RED RR<br>NEW             | 1 |
| 20  | 037.43.051.82.00 | NEW                                  | 1 |
| 21  | 037.43.052.00.00 | SEAT COVER RR RACING<br>NEW          | 1 |
| 22  | 037.43.030.00.00 | SPECIAL BOLT M6x16<br>NEW            | 2 |
| 23  | 3.179.960.000    | SCREW, 6X15                          | 2 |
| 24  | 037.43.029.00.00 | SPECIAL BOLT M6x12<br>NEW            | 2 |
| 25  | 037.43.014.00.59 | LICENSE PLATE HOLDER BLACK RR<br>NEW | 1 |
| 26  | 018.43.010.10.59 | LIGENCE PLATE BRACKET                | 1 |
| 27  | 1.233.086.000    | REAR REFLECTOR, RR 4T                | 1 |
| 28  | 3.129.860.000    | SCREW 5.16                           | 3 |
| 29  | 2.736.000.000    | WASHER 5.11                          | 5 |
| 30  | 1.311.010.000    | NUT 5, SELF-BLOCKING NUT 5           | 3 |
| 31  | 037.43.070.82.00 | NEW                                  | 1 |
| 32  | 037.43.027.00.00 | RIMS DECALS RR RACING MY20<br>NEW    | 1 |
| 33  | 026.43.005.00.00 | GASOLINE TUBE TANK/CARBUR. RR2T      | 1 |
| 34  | C07.08.008.00.00 | RING CE 12                           | 2 |
| 251 | 037.43.015.00.59 | LICENSE PLATE HOLDER BLACK RR<br>NEW | 1 |



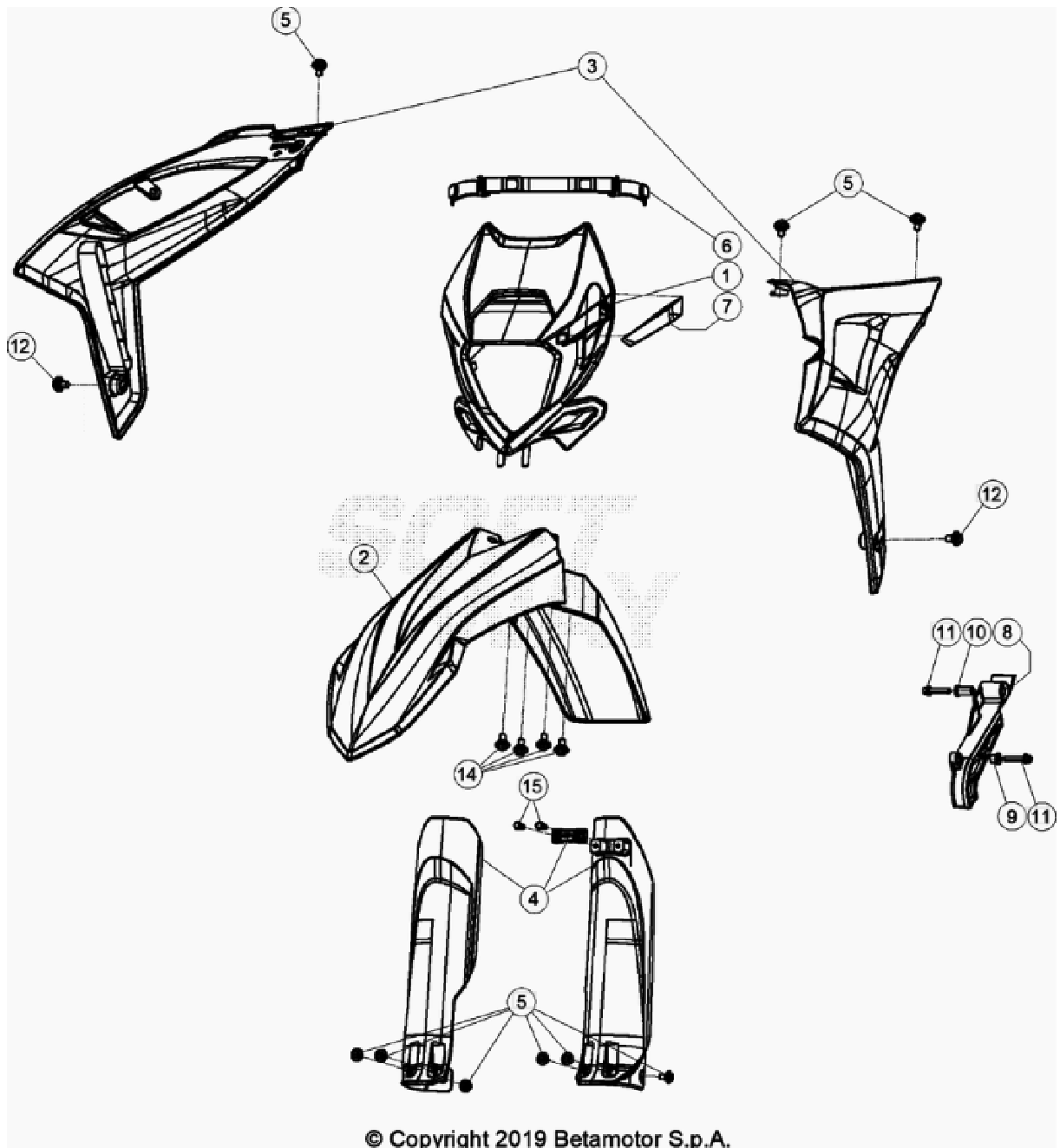


© Copyright 2019 Betamotor S.p.A.

| Ref. | Part Number      | Description                     | Parts |
|------|------------------|---------------------------------|-------|
| 1    | 037.33.003.00.59 | SWINGARM BLACK RR<br>NEW        | 1     |
| 2    | 040.33.000.80.00 | SHOCK ABSORBER RR 2T<br>NEW     | 1     |
| 3    | 020.33.030.80.00 | CONNECTING ROD ASSY             | 1     |
| 4    | 020.33.020.80.00 | RELAY ARM ASSY                  | 1     |
| 5    | 037.33.006.00.00 | CHAIN SLIDING PROTECTION<br>NEW | 1     |
| 6    | 037.33.004.00.53 | CHAIN GUIDE RED RR<br>NEW       | 1     |
| 9    | 037.33.005.50.00 | SWINGARM PIVOT BOLT<br>NEW      | 1     |
| 10   | 037.33.008.50.00 | NUT<br>NEW                      | 1     |
| 11   | 031.33.003.42.50 | LEFT CHAIN TIGHTENER, RR 2T/4T  | 1     |

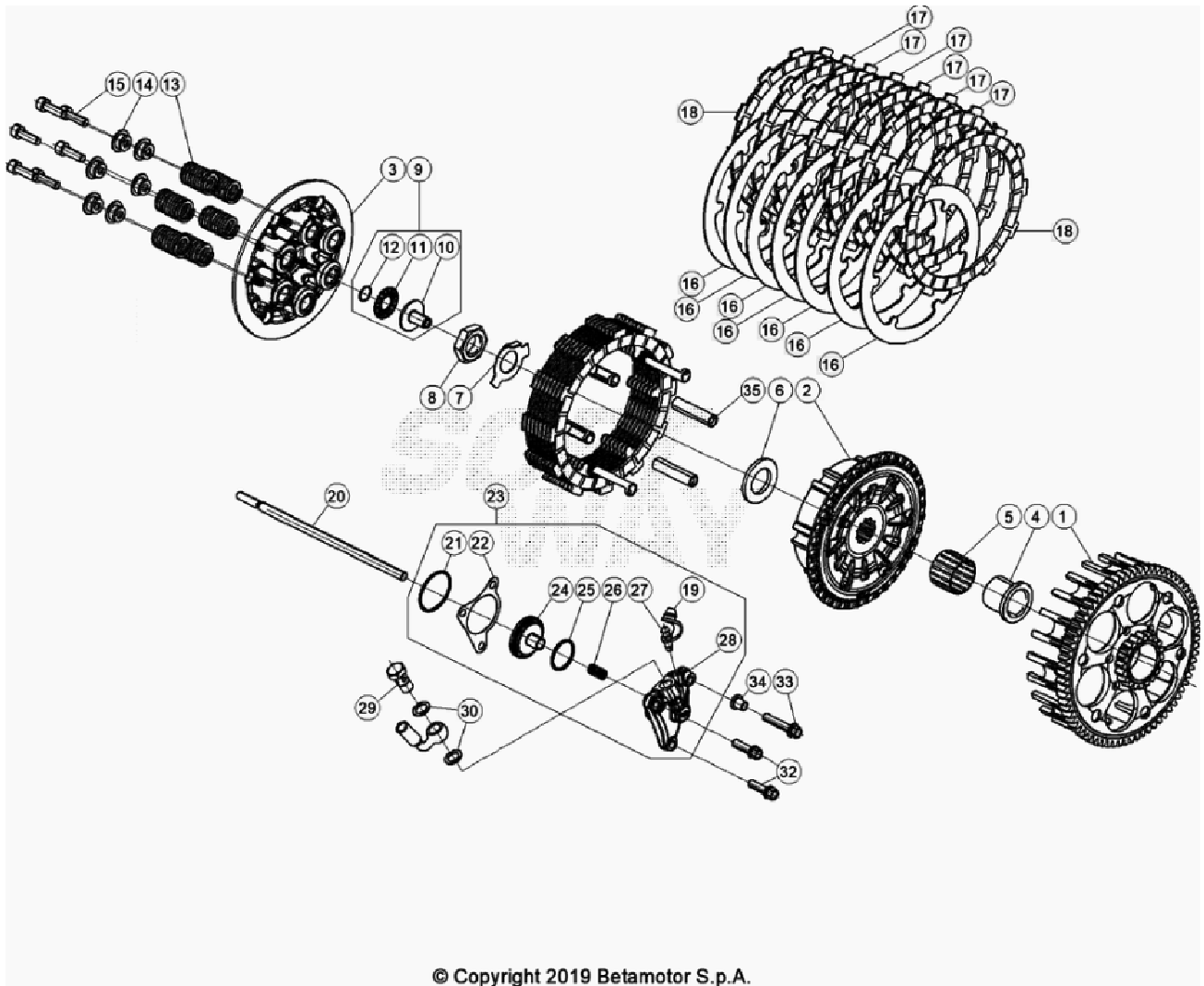
|    |                  |                                      |   |
|----|------------------|--------------------------------------|---|
| 12 | 031.33.002.42.50 | RIGHT CHAIN TIGHTENER, RR<br>2T/4T   | 1 |
| 13 | 1.163.992.000    | BOLT 12 . 1,25 . 96                  | 2 |
| 14 | 020.33.032.00.00 | SPECIAL SCREW M12 X 1.25 X 124       | 1 |
| 15 | 1.321.130.000    | SELF-BLOCKING NUT 12.1,25            | 3 |
| 16 | 020.33.030.00.00 | CONNECTING ROD                       | 1 |
| 17 | 020.33.031.00.00 | SPACER, CONNECTING ROD               | 1 |
| 18 | 1.122.055.000    | SEAL, 20 X 26 X 16 RR 4T             | 4 |
| 19 | 2.814.083.000    | ROCKING LEVER CUP, RR 4T             | 6 |
| 20 | 1.064.481.000    | OIL SEAL, 25X32X7                    | 6 |
| 21 | 020.33.020.00.00 | RELAY ARM                            | 1 |
| 22 | 1.617.310.000    | SEAL 24.12.13                        | 1 |
| 23 | 1.121.920.000    | BUSH                                 | 2 |
| 24 | 1.056.020.000    | OIL SEAL 16.24.4                     | 2 |
| 25 | 1.362.813.000    | SPACER, 12 X 20 X 50                 | 1 |
| 26 | 1.122.061.000    | SEAL, 20 X 26 X 30                   | 1 |
| 27 | 1.362.812.000    | SPACER, 12 X 20 X 40                 | 1 |
| 28 | 1.122.056.000    | SEAL, 22 X 12 V                      | 4 |
| 29 | 1.349.183.000    | SPACER, SWINGING ARM VEM             | 2 |
| 30 | 2.814.081.000    | RR4T SWINGING ARM PART               | 4 |
| 31 | 1.064.481.000    | OIL SEAL, 25X32X7                    | 4 |
| 32 | 020.33.001.00.00 | SWINGINGARM BUSH, RR 4T MY'10        | 2 |
| 33 | 2.774.786.000    | WASHER                               | 2 |
| 35 | 1.312.610.000    | SPECIAL NUT                          | 1 |
| 36 | 1.349.191.000    | SPACER                               | 1 |
| 38 | 1.313.020.000    | NUT 6, SELF-BLOCKING                 | 1 |
| 39 | 1.348.868.000    | SPACER                               | 1 |
| 40 | 1.150.535.000    | BOLT 6,45                            | 1 |
| 41 | 1.149.070.000    | BOLT 6.20                            | 1 |
| 44 | 2.910.596.136    | PLUG, PIVOT PINE SWING ARM<br>(D.30) | 4 |

|    |               |                       |   |
|----|---------------|-----------------------|---|
| 45 | 1.514.605.000 | CLAMP                 | 2 |
| 47 | 1.317.122.000 | NUT M8                | 2 |
| 48 | 1.155.909.000 | BOLT 8.55             | 2 |
| 49 | 1.162.050.000 | BOLT 10.45 1,25(10.9) | 2 |
| 51 | 1.146.251.000 | BOLT 5,12             | 4 |



| Ref. | Part Number      | Description                     | Parts |
|------|------------------|---------------------------------|-------|
| 1    | 037.43.008.00.51 | HEADLIGHT MASK WHITE RR<br>NEW  | 1     |
| 2    | 037.43.009.00.97 | FRONT FENDER RED RR<br>NEW      | 1     |
| 3    | 037.43.001.00.97 | TANK PANEL - PAIR RED RR<br>NEW | 1     |
| 4    | 026.45.113.82.51 | FORK TUBE COVER - KIT WHITE RR  | 1     |
| 5    | 037.43.028.00.00 | SPECIAL BOLT M6x8               | 9     |

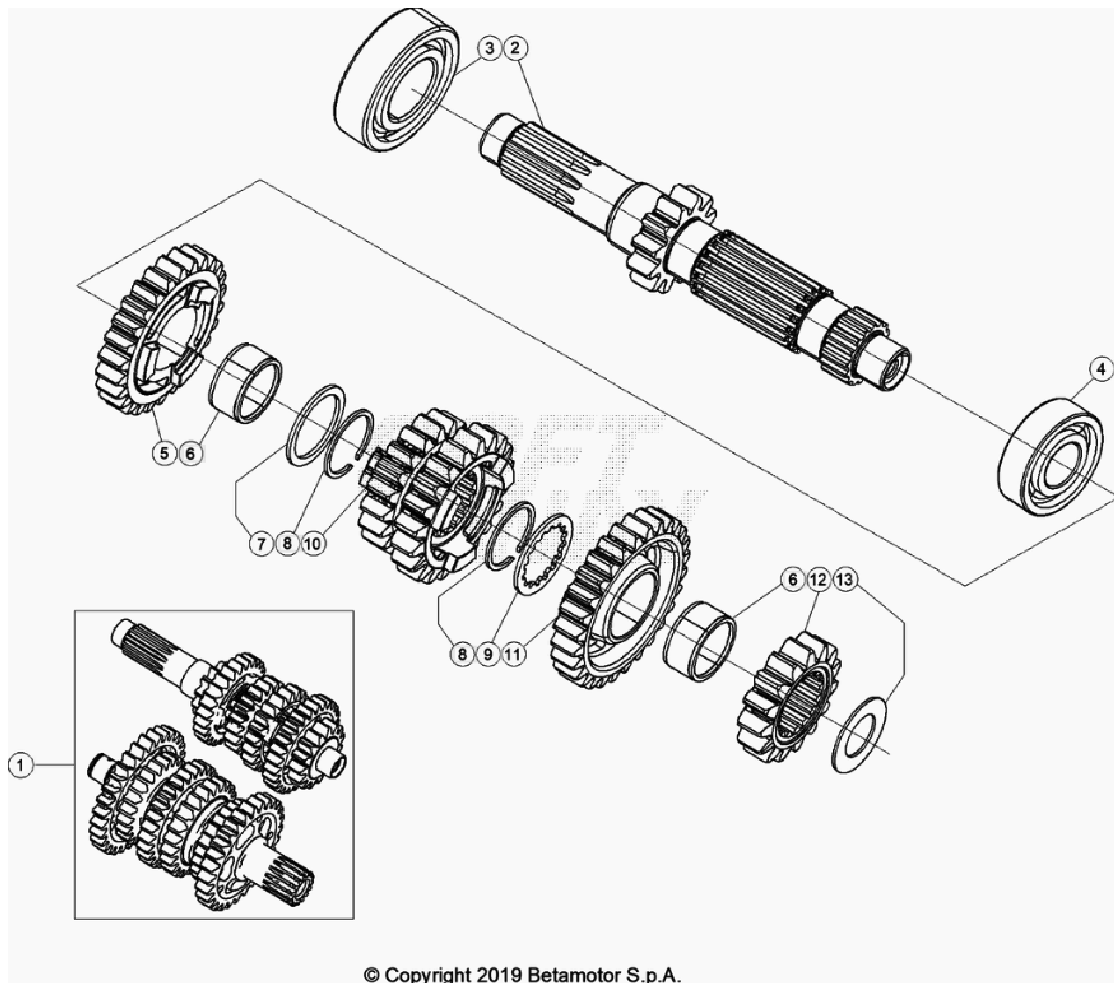
|    |                  |                            |   |
|----|------------------|----------------------------|---|
|    |                  | NEW                        |   |
| 6  | 037.43.020.00.59 | HEADLIGHT MASK RUBBER BAND | 1 |
|    |                  | NEW                        |   |
| 7  | 037.43.017.00.51 | FAIRLEAD WHITE RR          | 1 |
|    |                  | NEW                        |   |
| 8  | 040.43.005.00.59 | PINION GUARD BLACK RR 2T   | 1 |
|    |                  | NEW                        |   |
| 9  | 1.349.190.000    | SPACER                     | 1 |
| 10 | 1.349.189.000    | SPACER                     | 1 |
| 11 | 1.150.300.000    | BOLT 6.30 RS CH8           | 2 |
| 12 | 037.43.030.00.00 | SPECIAL BOLT M6x16         | 2 |
|    |                  | NEW                        |   |
| 13 | 3.123.580.000    | PARKER SCREW 4,8.13        | 1 |
|    |                  | NEW                        |   |
| 14 | 037.43.029.00.00 | SPECIAL BOLT M6x12         | 4 |
|    |                  | NEW                        |   |
| 15 | 3.179.960.000    | SCREW, 6X15                | 2 |



© Copyright 2019 Betamotor S.p.A.

| Ref. | Part Number      | Description                  | Parts |
|------|------------------|------------------------------|-------|
| 1    | 029.03.011.00.00 | CLUTCH GEAR                  | 1     |
| 2    | 029.03.141.00.00 | CLUTCH DRUM                  | 1     |
| 3    | 029.03.031.00.00 | PRESSURE CAP                 | 1     |
| 4    | 026.03.061.00.00 | BUSH                         | 1     |
| 5    | 006.03.063.00.00 | SEAL 26.30.22                | 1     |
| 6    | 006.03.062.00.00 | THRUST WASHER 21,7X38X3      | 1     |
| 7    | 029.03.000.48.00 | WASHER                       | 1     |
| 8    | 006.03.065.00.00 | S/ARM SPECIAL NUT 18.1,50    | 1     |
| 9    | 029.03.071.80.00 | LIFTER, CLUTCH PUSH ROD ASSY | 1     |
| 10   | 029.03.071.00.00 | LIFTER, CLUTCH PUSH ROD      | 1     |
| 11   | 1.611.370.000    | BUSH 15.28.2                 | 1     |
| 12   | 2.823.105.000    | SEEGER RB14 DIN 7993         | 1     |

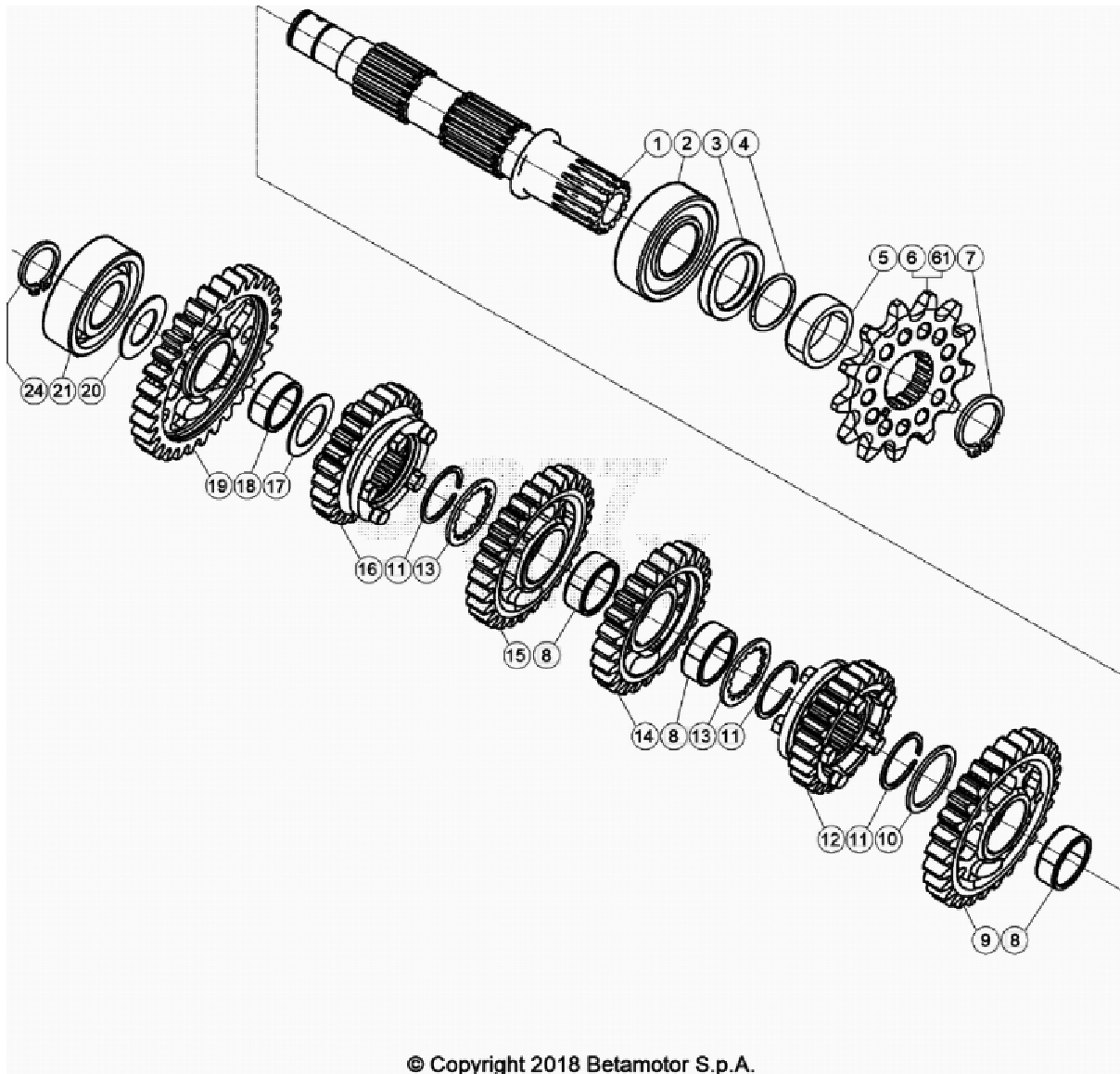
|    |                  |                              |   |
|----|------------------|------------------------------|---|
| 13 | 029.03.055.00.00 | CLUTCH SPRING                | 6 |
| 14 | 029.03.056.00.00 | CLUTCH SPRING WASHER         | 6 |
| 15 | 3.134.510.000    | SCREW 6.20                   | 6 |
| 16 | 029.03.005.00.00 | DRIVEN DISK<br>NEW           | 7 |
| 17 | 029.03.053.00.00 | DRIVING PLATE                | 6 |
| 18 | 029.03.054.00.00 | DRIVING PLATE                | 2 |
| 19 | 1.633.788.000    | CAP                          | 1 |
| 20 | 026.03.070.00.00 | CLUTCH FL. DIPSTICK          | 1 |
| 21 | 1.066.840.000    | O-RING 33X1,5                | 1 |
| 22 | 006.03.085.00.00 | GASKET CLUTCH SLAVE CYLINDER | 1 |
| 23 | 029.03.001.80.00 | CLUTCH SLAVE CYLINDER RR     | 1 |
| 24 | 006.03.281.80.00 | CLUTCH SLAVE PISTON RR       | 1 |
| 25 | 1.066.520.000    | OIL SEAL 23,52.1,78          | 1 |
| 26 | 006.03.083.00.00 | SPRING SLAVE CYLINDER        | 1 |
| 27 | 2.891.050.000    | REAR PLIERS BLEED            | 1 |
| 28 | 029.03.001.00.00 | CLUTCH SLAVE CYLINDER RR     | 1 |
| 29 | 1.165.040.000    | SPECIAL BOLT                 | 1 |
| 30 | 1.650.510.000    | GASKET 10.15.1 COPPER        | 2 |
| 32 | 1.149.070.000    | BOLT 6.20                    | 2 |
| 33 | 1.150.355.000    | BOLT 6.35 RS CH8             | 1 |
| 34 | 1.349.190.000    | SPACER                       | 1 |
| 35 | 029.03.107.00.00 | PLATE GUIDE                  | 6 |



© Copyright 2019 Betamotor S.p.A.

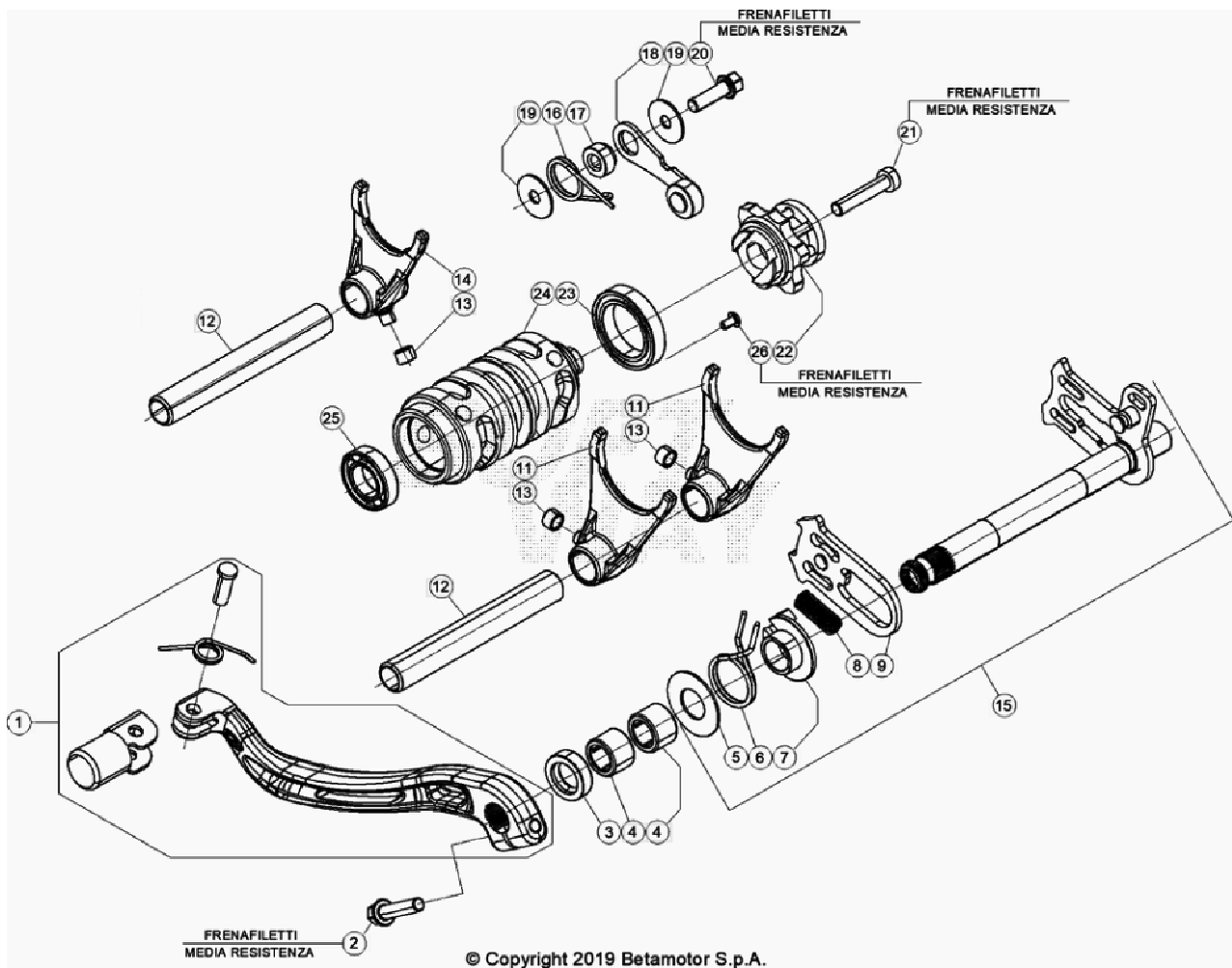
| Ref. | Part Number      | Description                             | Parts |
|------|------------------|---|-------|
| 1    | 026.04.000.80.00 | GEARBOX ASSY                            | 1     |
| 2    | 026.04.010.00.00 | MAINSHAFT WITH BUSH                     | 1     |
| 3    | 1.295.610.000    | SEAL (6205) C3                          | 1     |
| 4    | 1.295.605.000    | SEAL (6203) JR2 C3                      | 1     |
| 5    | 006.04.015.00.00 | 5°GEAR MAINSHAFT                        | 1     |
| 6    | 1.122.855.000    | NEEDLE BEARING K 22.26.13 TN (SPLITTED) | 2     |
| 7    | 006.04.031.00.00 | THRUST WASHER 26.32.1,5                 | 1     |
| 8    | 2.825.520.000    | SEEGER 25 SW                            | 2     |
| 9    | 006.04.030.00.00 | THRUST WASHER 23.32.1,5                 | 1     |
| 10   | 006.04.013.00.00 | 3°4°GEAR MAINSHAFT                      | 1     |
| 11   | 006.04.016.00.00 | 6°GEAR MAINSHAFT                        | 1     |
| 12   | 006.04.012.00.00 | 2°GEAR MAINSHAFT                        | 1     |
| 13   | 006.04.032.00.00 | THRUST WASHER 17.30.1                   | 1     |





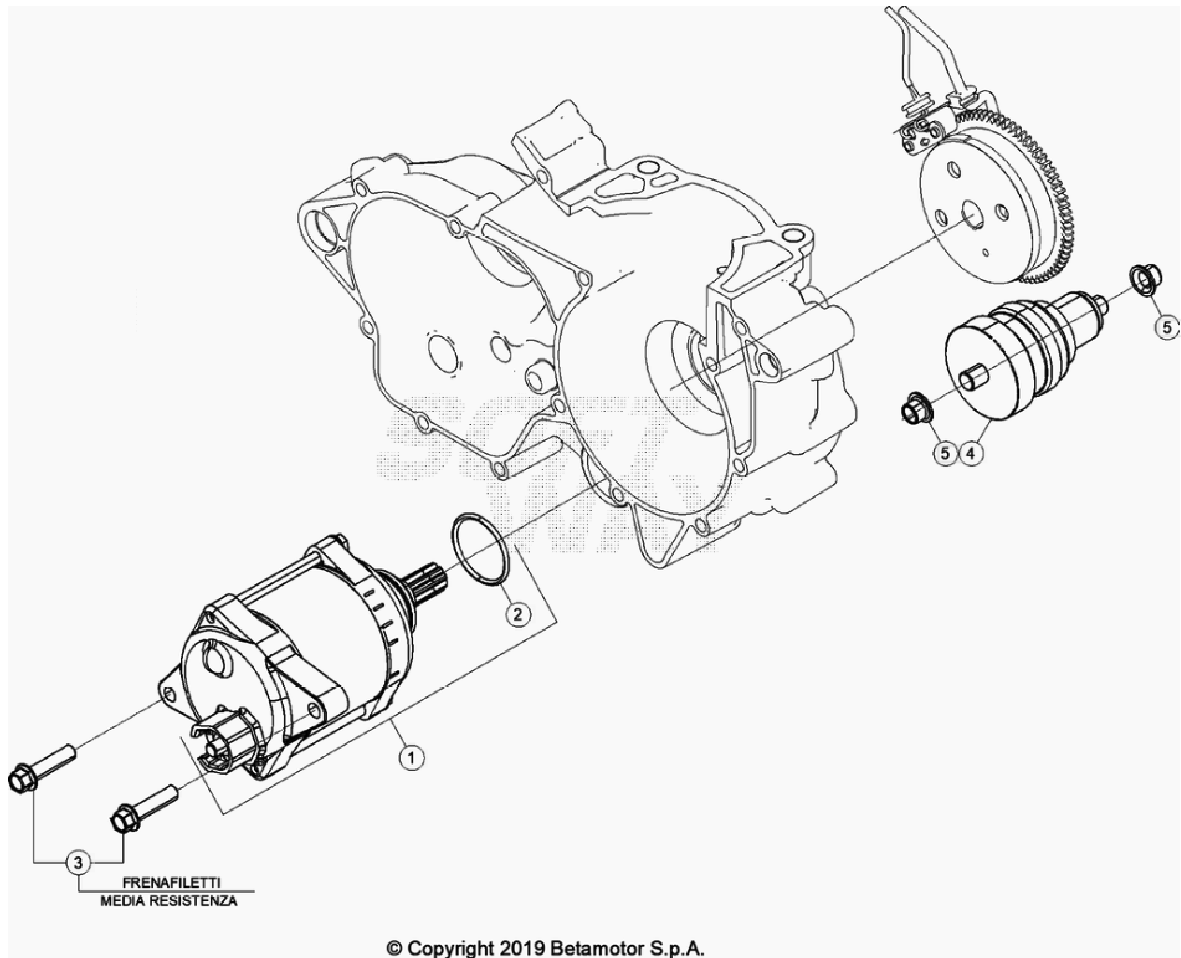
| Ref. | Part Number      | Description                          | Parts |
|------|------------------|--------------------------------------|-------|
| 1    | 026.04.020.00.00 | COUNTERSHAFT                         | 1     |
| 2    | 1.299.710.000    | SEAL NJ205                           | 1     |
| 3    | 1.066.020.000    | OIL SEAL 32.45.7 BSL                 | 1     |
| 4    | 1.066.540.000    | O-RING 24.2 NBR70                    | 1     |
| 5    | 006.04.040.00.00 | DISTANCE BUSH                        | 1     |
| 6    | 006.04.051.00.00 | SPROCKET 14-Z                        | 1     |
| 7    | 2.825.530.000    | SEEGER AS 25X2 DIN 471               | 1     |
| 8    | 1.122.845.000    | NEEDLE BEARING K 20.24.10 (SPLITTED) | 3     |
| 9    | 006.04.022.00.00 | 2° GEAR COUNTERSHAFT                 | 1     |
| 10   | 006.04.031.00.00 | THRUST WASHER 26.32.1,5              | 1     |

|    |                  |                           |   |
|----|------------------|---------------------------|---|
| 11 | 2.825.520.000    | SEEGER 25 SW              | 3 |
| 12 | 006.04.026.00.00 | 6°GEAR COUNTERSHAFT       | 1 |
| 13 | 006.04.030.00.00 | THRUST WASHER 23.32.1,5   | 2 |
| 14 | 006.04.024.00.00 | 4°GEAR COUNTERSHAFT       | 1 |
| 15 | 006.04.023.00.00 | 3°GEAR COUNTERSHAFT       | 1 |
| 16 | 006.04.025.00.00 | 5°GEAR COUNTERSHAFT       | 1 |
| 17 | 006.04.033.00.00 | THRUST WASHER 20.30.1     | 1 |
| 18 | 1.122.835.000    | NEEDLE BEARING K 20.24.10 | 1 |
| 19 | 006.04.021.00.00 | 1°GEAR COUNTERSHAFT       | 1 |
| 20 | 006.04.032.00.00 | THRUST WASHER 17.30.1     | 1 |
| 21 | 1.295.605.000    | SEAL (6203) JR2 C3        | 1 |
| 24 | C01.23.001.00.00 | CHECK RING 17X1           | 1 |
| 61 | 006.04.052.00.00 | SPROCKET 15-Z             | 1 |

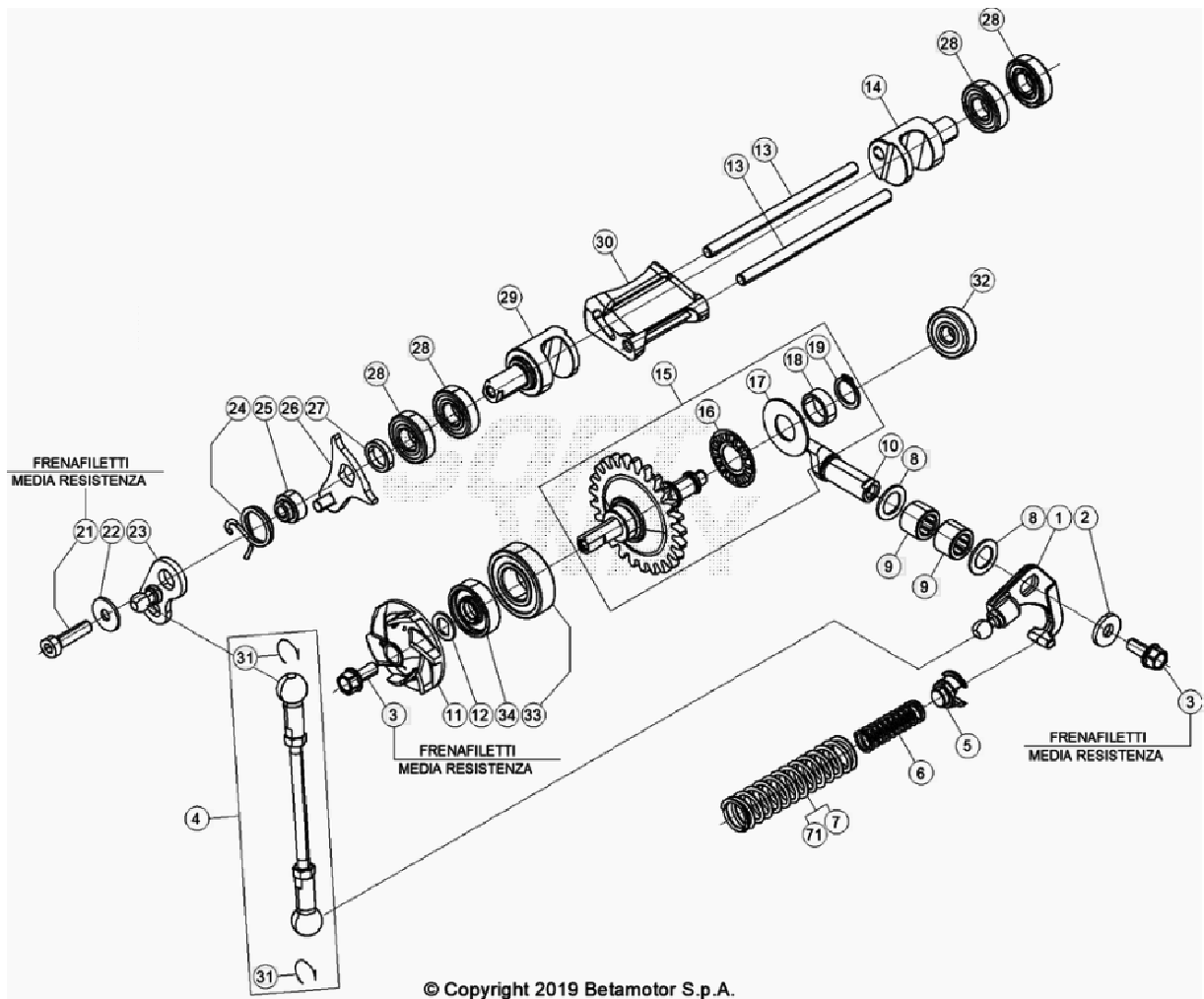


| Ref. | Part Number      | Description                     | Parts |
|------|------------------|---------------------------------|-------|
| 1    | 006.05.000.80.59 | GEAR CHANGE LEVER ASSY          | 1     |
| 2    | 1.150.010.000    | BOLT 6.25                       | 1     |
| 3    | 1.052.012.000    | OIL SEAL 14.24.6 B1SL           | 1     |
| 4    | 1.122.320.000    | NEEDLE BEARING HK1414RS         | 2     |
| 5    | 2.763.020.000    | WASHER 14.30.1                  | 1     |
| 6    | 006.05.017.00.00 | GEAR BOX RETURN SPRING          | 1     |
| 7    | 1.692.911.000    | SPRING GUIDE                    | 1     |
| 8    | 006.05.016.00.00 | SPRING BOLT 0,8MM               | 1     |
| 9    | 006.05.014.80.00 | MOVEABLE PLATE ASSY (WITH BOLT) | 1     |
| 11   | 006.05.020.00.00 | FORK 1/4 GEAR                   | 2     |
| 12   | 026.05.025.00.00 | SPINDLE (FORKS)                 | 2     |
| 13   | 006.05.027.00.00 | BUSHING 6.8.5,2                 | 3     |
| 14   | 006.05.021.00.00 | FORK 5/6 GEAR                   | 1     |

|    |                  |                                  |   |
|----|------------------|----------------------------------|---|
| 15 | 026.05.010.80.00 | SHIFT SHAFT CPL.                 | 1 |
| 16 | 2.239.591.000    | LEVER SPRING                     | 1 |
| 17 | 029.05.054.00.00 | SPACER (DETENT LEVER)            | 1 |
| 18 | 026.05.050.80.00 | LEVER                            | 1 |
| 19 | 2.742.000.100    | WASHER 6.20.1,0                  | 2 |
| 20 | 1.149.070.000    | BOLT 6.20                        | 1 |
| 21 | 3.145.000.000    | SCREW 6.30                       | 1 |
| 22 | 029.05.001.80.00 | DETENT CAM ALU ASSY              | 1 |
| 23 | 1.293.405.000    | SEAL 61805-2RS1                  | 1 |
| 24 | 026.05.030.00.00 | GEAR CAM                         | 1 |
| 25 | 1.293.840.000    | BALL BEARING 15.28.7             | 1 |
| 26 | 3.130.084.000    | COUNTERSUNK SCREW M5X8 "TORX 25" | 1 |

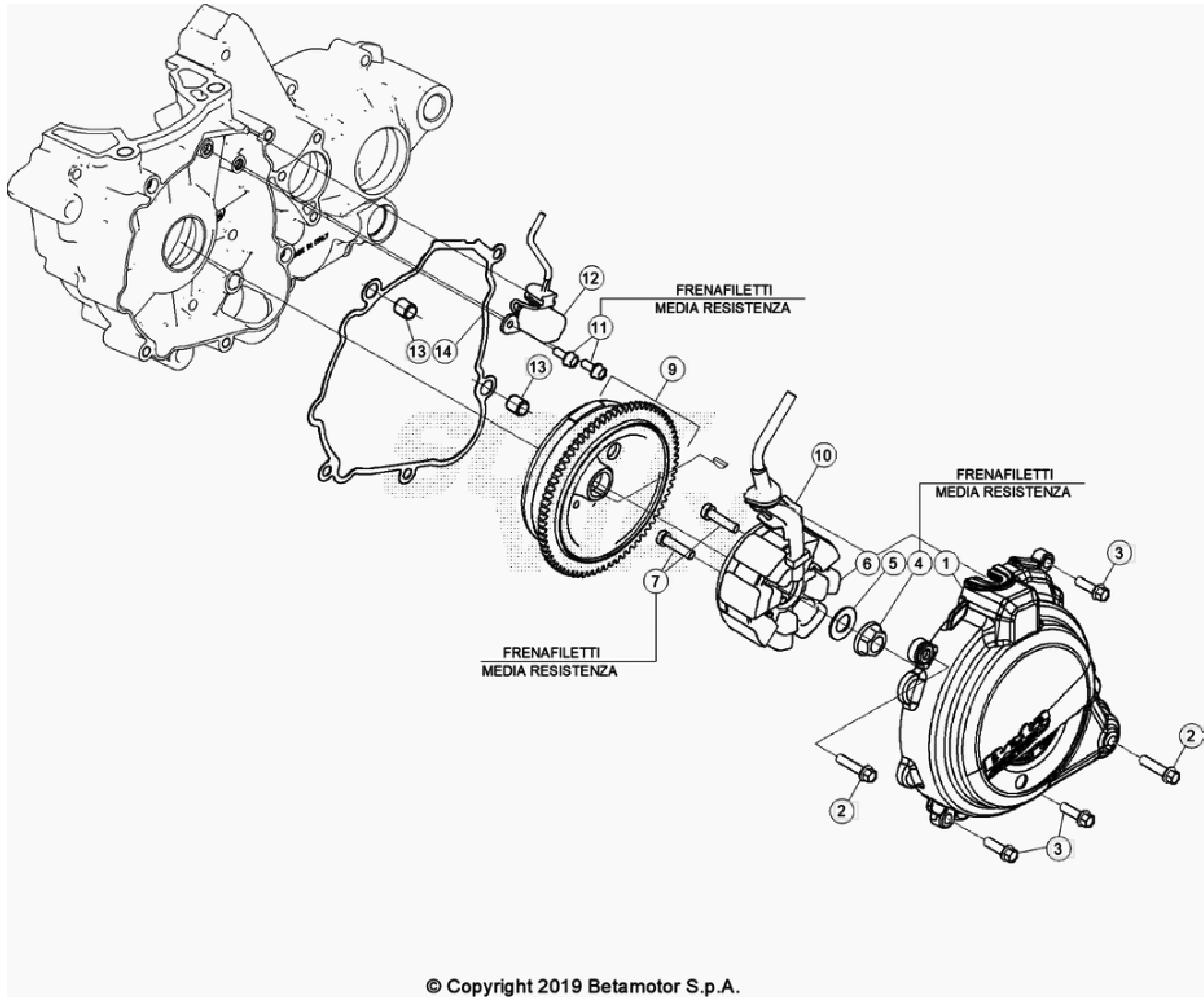


| Ref. | Part Number      | Description             | Parts |
|------|------------------|-------------------------|-------|
| 1    | 026.07.000.80.00 | E-STARTER               | 1     |
| 2    | 3.625.056.000    | O RING 25,00X3,00 NBR70 | 1     |
| 3    | 1.150.010.000    | BOLT 6.25               | 2     |
| 4    | 026.07.010.00.00 | CONTACT TAG, BENDIX     | 1     |
| 5    | C03.02.001.00.00 | BUSH 8X10X8             | 2     |



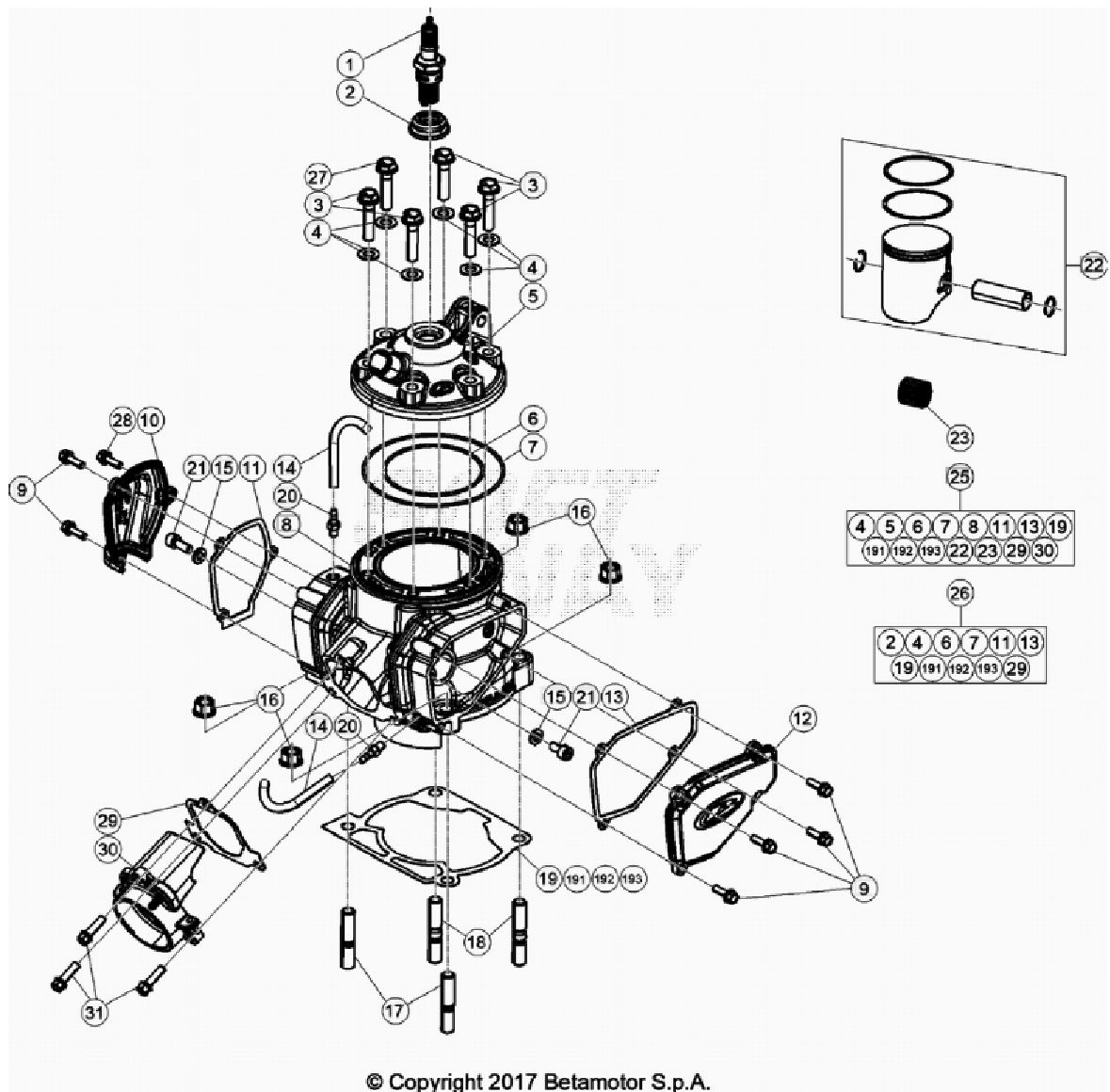
| Ref. | Part Number      | Description                  | Parts |
|------|------------------|------------------------------|-------|
| 1    | 026.09.013.80.00 | ROCKER ARM ASSY              | 1     |
| 2    | C16.02.001.00.00 | WASHER 5.15.2 DIN 7349       | 1     |
| 3    | 1.146.251.000    | BOLT 5,12                    | 2     |
| 4    | 026.09.015.80.00 | VALVE CONTROL ROD            | 1     |
| 5    | 026.09.017.00.00 | SPRING GUIDE                 | 1     |
| 6    | 026.09.018.00.00 | SPRING                       | 1     |
| 7    | 026.09.022.00.00 | ADJUSTING SPRING             | 1     |
| 8    | C19.04.001.00.00 | SHIM WASHER, 10.16.1 DIN 988 | 2     |
| 9    | 1.122.100.000    | BUSH 10.14.10                | 2     |
| 10   | 026.09.011.00.00 | CONTROL LEVER                | 1     |
| 11   | 006.09.000.00.00 | IMPELLER WATER PUMP          | 1     |
| 12   | 006.09.012.00.00 | WASHER WATER PUMP            | 1     |
| 13   | 026.09.031.00.00 | EXHAUST VALVE PIN            | 2     |

|    |                  |                            |   |
|----|------------------|----------------------------|---|
| 14 | 026.09.040.00.00 | BOOSTER VALVE, LEFT        | 1 |
| 15 | 026.09.005.80.00 | CENTRIFUGAL UNIT           | 1 |
| 16 | 1.611.512.000    | AXIAL NEEDLE BEARING 12.26 | 1 |
| 17 | 2.756.400.000    | WASHER AS1226              | 1 |
| 18 | 026.09.003.00.00 | SPACER                     | 1 |
| 19 | 2.822.760.000    | SEEGER A12 DIN 471         | 1 |
| 21 | 3.130.015.000    | SCREW 5.20                 | 1 |
| 22 | 2.736.500.000    | WASHER 5.15                | 1 |
| 23 | 026.09.042.85.00 | OPERATING LEVER            | 1 |
| 24 | 026.09.046.00.00 | SPRING                     | 1 |
| 25 | 026.09.044.00.00 | SPACER                     | 1 |
| 26 | 026.09.043.85.00 | TRAVEL LIMIT LEVER         | 1 |
| 27 | 026.09.047.00.00 | SPACER                     | 1 |
| 28 | 1.293.410.000    | BALL BUSHING 10.22.6. 2RS1 | 4 |
| 29 | 026.09.041.00.00 | BOOSTER VALVE, RIGHT       | 1 |
| 30 | 026.09.049.00.00 | EXHAUST VALVE              | 1 |
| 31 | C21.31.001.00.00 | LOCKING SPRING             | 2 |
| 32 | 1.293.387.000    | BALL BEARING 6.19.6        | 1 |
| 33 | C06.01.001.00.00 | SEAL 15X32X9               | 1 |
| 34 | 1.043.720.000    | OIL SEAL                   | 1 |
| 71 | 026.09.019.00.00 | ADJUSTING SPRING 300CC     | 1 |



| Ref. | Part Number      | Description                    | Parts |
|------|------------------|--------------------------------|-------|
| 1    | 026.01.051.80.52 | FLYWHEEL COVER - COMPLETE RR2T | 1     |
| 2    | 1.150.010.000    | BOLT 6.25                      | 2     |
| 3    | 1.149.070.000    | BOLT 6.20                      | 3     |
| 4    | 1.325.010.000    | NUT                            | 1     |
| 5    | 2.774.810.000    | SPRING WASHER DIN137 B12 FST   | 1     |
| 6    | 006.10.020.00.00 | STATOR, FLYWHEEL               | 1     |
| 7    | 3.148.507.000    | SCREW 6.25                     | 2     |
| 9    | 026.10.001.85.00 | FLYWHEEL ROTOR                 | 1     |
| 10   | 006.01.054.00.00 | CABLE RETAINING PLATE          | 1     |
| 11   | 1.146.251.000    | BOLT 5,12                      | 2     |
| 12   | 026.10.003.00.00 | PICK UP                        | 1     |
| 13   | 1.636.500.000    | DOWEL 9.10                     | 2     |
| 14   | 026.01.053.00.00 | GASKET, IGNITION COVER         | 1     |

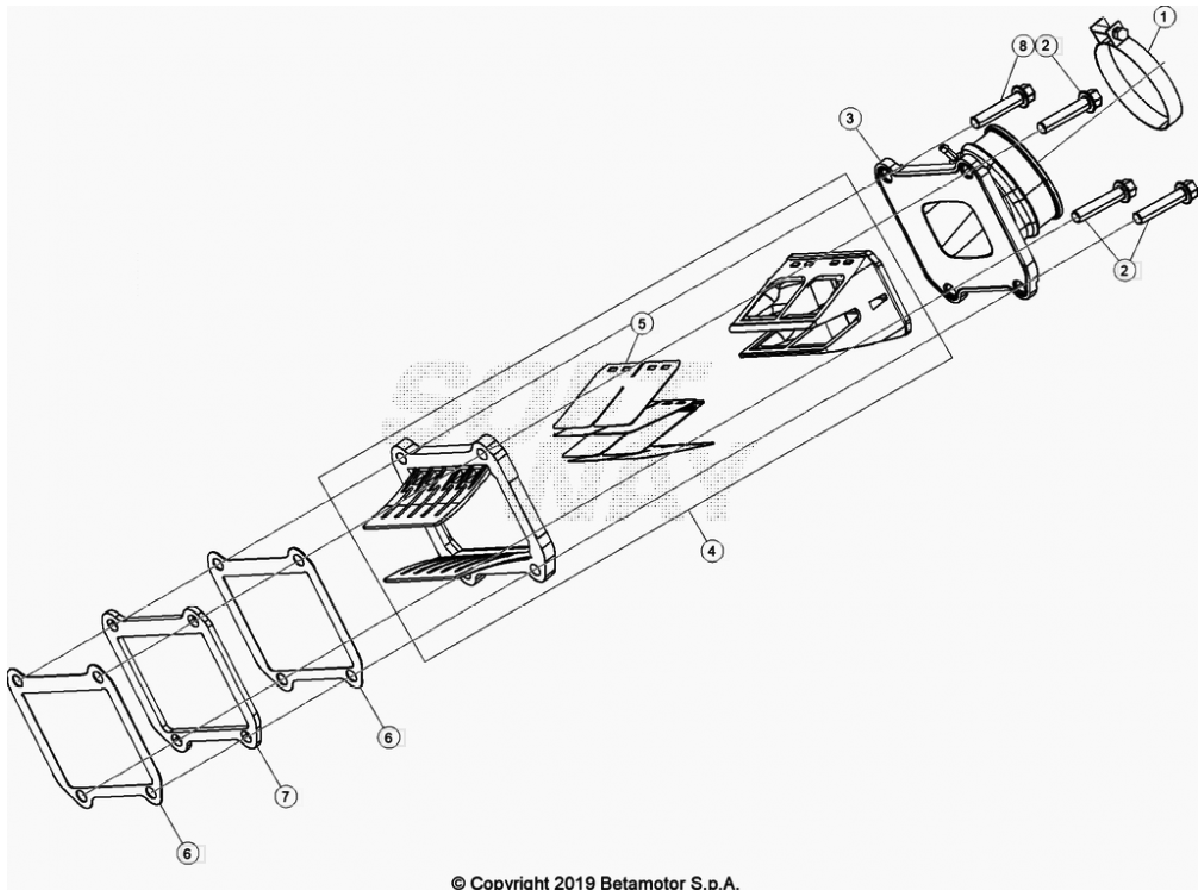




© Copyright 2017 Betamotor S.p.A.

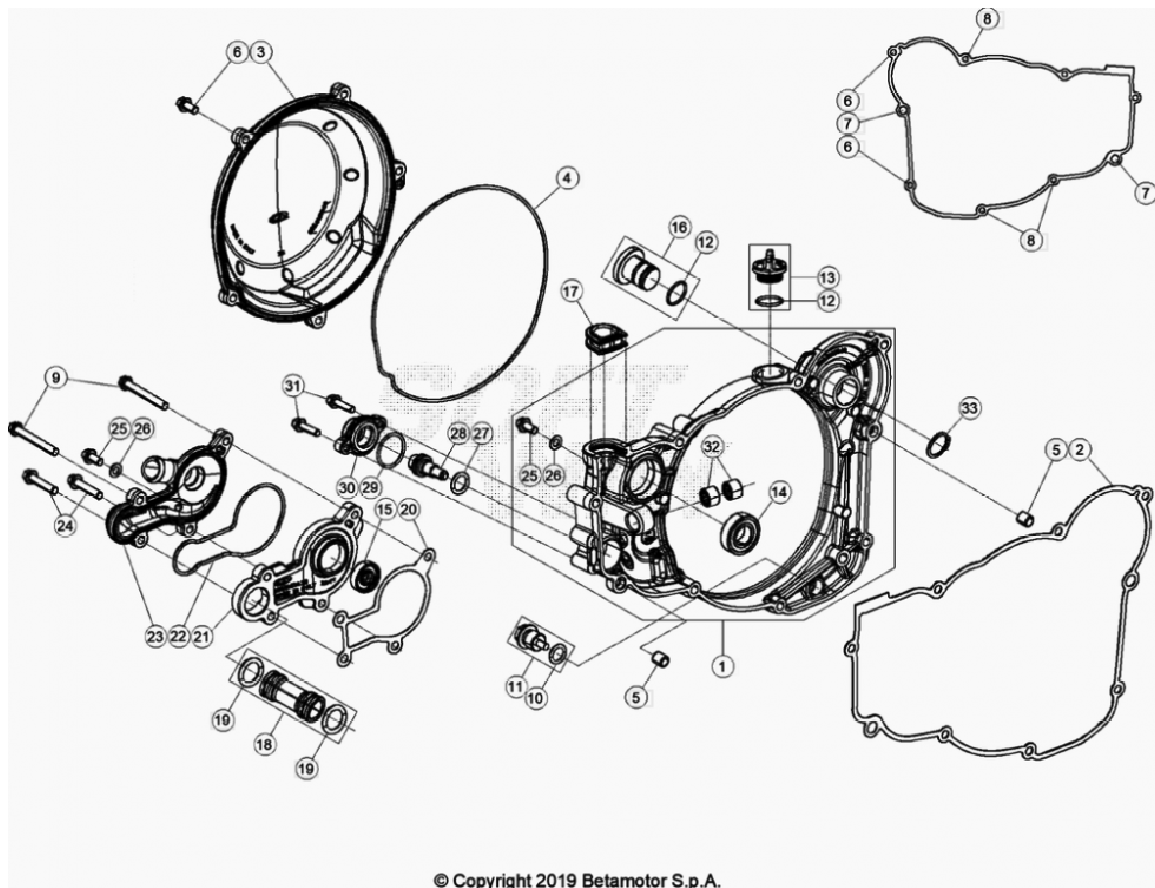
| Ref. | Part Number      | Description                 | Parts |
|------|------------------|-----------------------------|-------|
| 1    | 1.225.220.000    | SPARK PLUG BR7ES            | 1     |
| 2    | 026.10.012.00.00 | SPARK PLUG GASKET           | 1     |
| 3    | 026.11.011.00.00 | FLANGE BOLT M8X35           | 5     |
| 4    | 026.11.010.00.00 | WASHER 8.16.1               | 6     |
| 5    | 026.11.018.80.52 | ENGINE HEAD BLACK RR 2T 300 | 1     |
| 6    | 1.066.973.000    | OIL SEAL 78.2 VITON         | 1     |
| 7    | 1.066.978.000    | OIL SEAL 105.2 VITON        | 1     |
| 8    | 026.11.030.00.0A | CYLINDER 300CC -A-          | 1     |
| 9    | 1.146.360.000    | BOLT 5,16                   | 6     |
| 10   | 026.11.002.20.00 | RIGHT VALVE HEAD COVER      | 1     |
| 11   | 026.11.003.00.00 | RIGHT VALVE COVER GASKET    | 1     |

|     |                  |                                  |   |
|-----|------------------|----------------------------------|---|
| 12  | 026.11.004.00.52 | LEFT VALVE HEAD COVER            | 1 |
| 13  | 026.11.005.00.00 | LEFT VALVE COVER GASKET          | 1 |
| 14  | 026.11.012.00.00 | TUBE                             | 2 |
| 15  | 2.740.500.000    | WASHER 6.12.1,6 DIN 125          | 2 |
| 16  | 1.320.210.000    | NUT, 10.1,25                     | 4 |
| 17  | C24.76.001.00.00 | STUD M10X30X1,25                 | 2 |
| 18  | C24.76.002.00.00 | STUD M10X35X1,25                 | 2 |
| 19  | 026.11.025.00.00 | CYLINDER BASE GASKET 0,30MM      | 1 |
| 20  | 2.900.280.000    | COUPLING                         | 2 |
| 21  | 3.131.050.000    | SCREW 6.15                       | 2 |
| 22  | 026.02.033.80.0A | PISTON CPL. 300CC D=72,0MM -A-   | 1 |
| 23  | 1.616.710.000    | NEEDLE BUSHING 18.22.20          | 1 |
| 25  | 026.11.042.82.0A | CYLINDER D72 - A - KIT RR 2T 300 | 1 |
| 26  | 026.11.040.82.00 | GASKETS KIT RR 2T                | 1 |
| 27  | 026.11.037.00.00 | SECURITY SCREW                   | 1 |
| 28  | 026.11.036.00.00 | SECURITY SCREW                   | 1 |
| 29  | 026.11.038.00.00 | FLANGE GASKET                    | 1 |
| 30  | 026.11.032.00.00 | FLANGE EXHAUST                   | 1 |
| 31  | 1.149.070.000    | BOLT 6.20                        | 3 |
| 191 | 026.11.026.00.00 | CYLINDER BASE GASKET 0,40MM      | 1 |
| 192 | 026.11.027.00.00 | CYLINDER BASE GASKET 0,50MM      | 1 |
| 193 | 026.11.028.00.00 | CYLINDER BASE GASKET 0,60MM      | 1 |



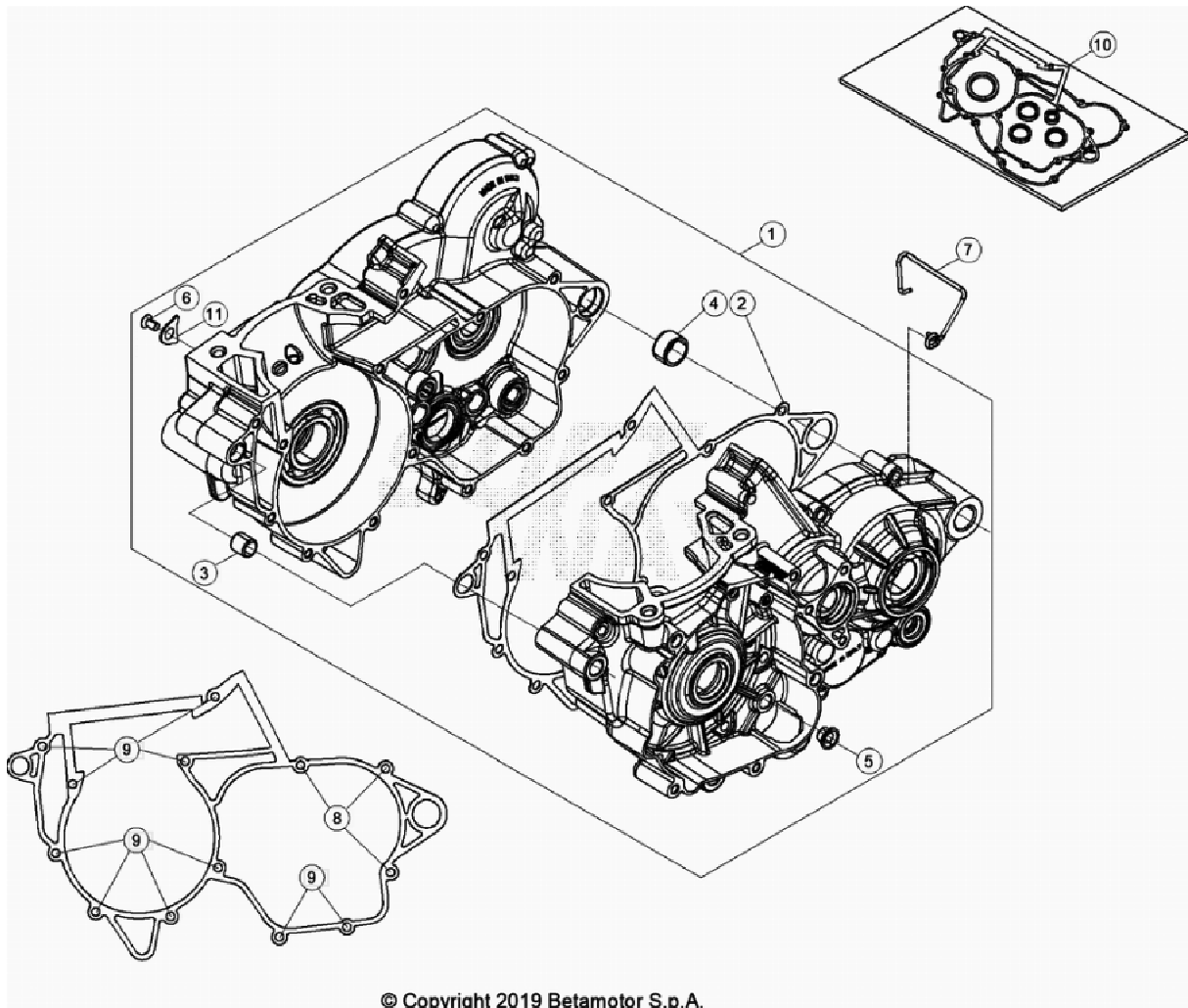
© Copyright 2019 Betamotor S.p.A.

| Ref. | Part Number      | Description                | Parts |
|------|------------------|----------------------------|-------|
| 1    | 1.514.275.000    | CLAMP, 52/12               | 1     |
| 2    | 1.150.300.000    | BOLT 6.30 RS CH8<br>NEW    | 3     |
| 3    | 026.01.006.00.00 | CARBURATOR MANIFOLD INSERT | 1     |
| 4    | 026.01.007.80.00 | REED VALVE                 | 1     |
| 5    | 026.01.009.00.00 | PLATE KIT                  | 1     |
| 6    | 026.01.010.00.00 | VALVE GASKET               | 2     |
| 7    | 026.01.008.42.52 | REED VALVE SPACER<br>NEW   | 1     |
| 8    | 026.11.034.00.00 | SECURITY SCREW<br>NEW      |       |

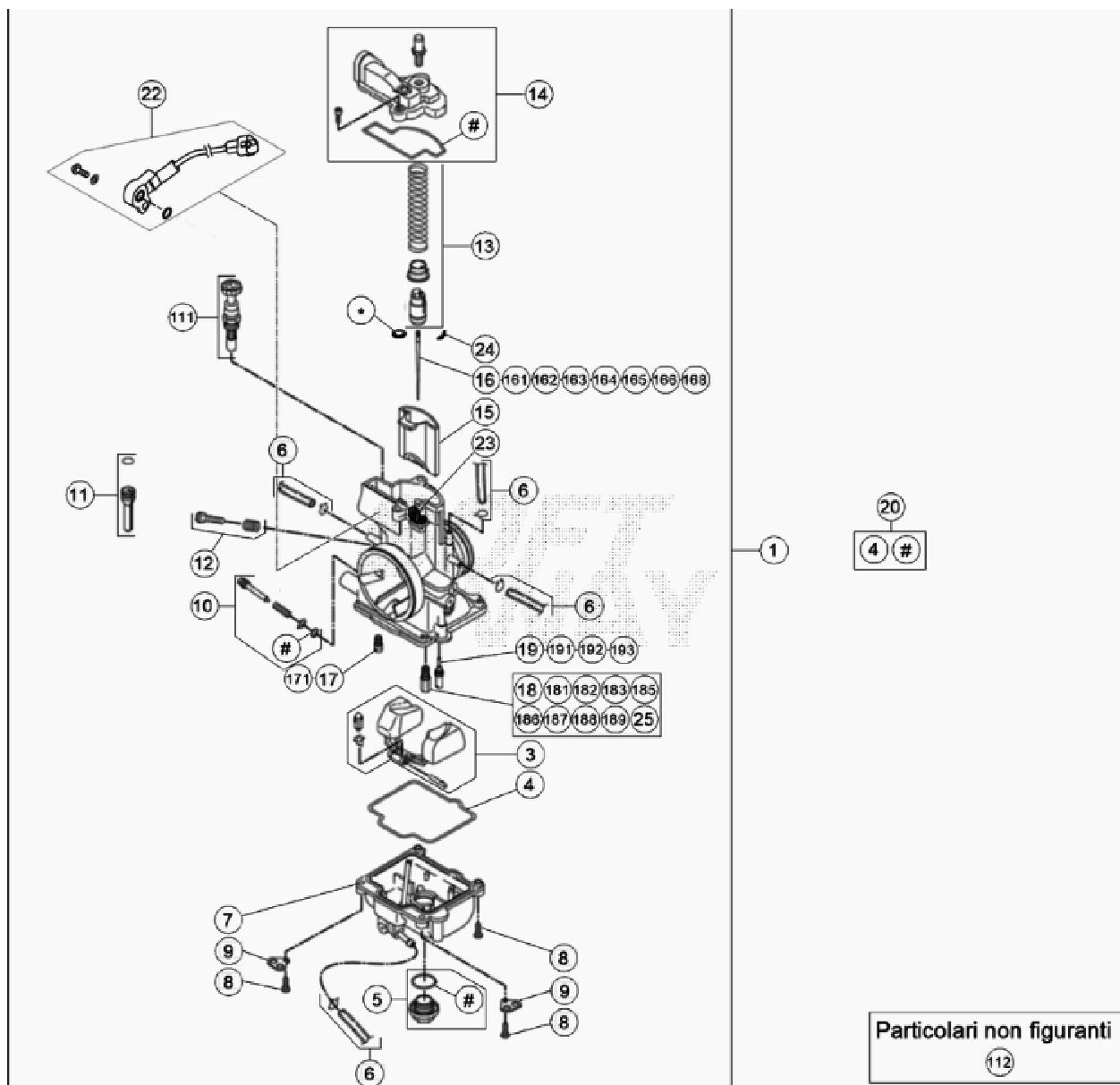


| Ref. | Part Number      | Description                            | Parts |
|------|------------------|--|-------|
| 1    | 026.01.029.80.52 | CLUTCH COVER<br>NEW                    | 1     |
| 2    | 026.01.005.00.00 | GASKET CLUTCH COVER INNER              | 1     |
| 3    | 026.01.018.80.52 | EXTERNAL CLUTCH COVER                  | 1     |
| 4    | 026.01.041.00.00 | OUTER CLUTCH COVER GASKET (SPECIAL OR) | 1     |
| 5    | 1.636.500.000    | DOWEL 9.10                             | 2     |
| 6    | 1.149.070.000    | BOLT 6.20                              | 4     |
| 7    | 1.150.300.000    | BOLT 6.30 RS CH8                       | 2     |
| 8    | 1.105.535.000    | BOLT 6.50 RS CH8                       | 3     |
| 9    | 1.105.485.000    | BOLT 6.60                              | 2     |
| 10   | 1.066.164.000    | O-RING, 11.2 NBR 70SH                  | 1     |
| 11   | 006.08.152.80.00 | SCREW                                  | 1     |
| 12   | 1.066.321.000    | OIL SEAL                               | 2     |
| 13   | 026.01.025.80.53 | OIL FILLING CAP                        | 1     |
| 14   | C06.01.001.00.00 | SEAL 15X32X9                           | 1     |

|    |                  |                             |   |
|----|------------------|-----------------------------|---|
| 15 | 1.043.720.000    | OIL SEAL                    | 1 |
| 16 | 037.01.017.80.59 | CAP<br>NEW                  | 1 |
| 17 | 026.01.031.80.00 | SEALING EXHAUST VALVE COVER | 1 |
| 18 | 026.01.037.80.00 | WATER PIPE, COMPLETE        | 1 |
| 19 | C02.06.052.00.00 | OIL SEAL 17,96.2,62         | 2 |
| 20 | 026.01.036.00.00 | GASKET, WATERPUMP BODY      | 1 |
| 21 | 026.01.034.00.00 | WATERPUMP BODY              | 1 |
| 22 | 026.01.035.00.00 | GASKET, WATER PUMP          | 1 |
| 23 | 026.01.033.00.00 | WATER PUMP COVER            | 1 |
| 24 | 1.150.300.000    | BOLT 6.30 RS CH8            | 2 |
| 25 | 1.147.015.000    | BOLT 6.12 RS CH8            | 2 |
| 26 | 2.740.495.000    | WASHER 6.11.0,8             | 2 |
| 27 | 1.066.296.000    | O-RING 12,37,2,62 NBR70     | 1 |
| 28 | 026.09.023.42.00 | ADJUSTING SPRING GUIDE      | 1 |
| 29 | 1.066.540.000    | O-RING 24.2 NBR70           | 1 |
| 30 | 026.09.025.00.00 | COVER                       | 1 |
| 31 | 1.146.401.000    | BOLT 5.20 RS CH8            | 2 |
| 32 | 1.122.100.000    | BUSH 10.14.10               | 2 |
| 33 | 3.300.070.000    | SEEGER D.19                 | 1 |



| Ref. | Part Number      | Description                         | Parts |
|------|------------------|-------------------------------------|-------|
| 1    | 026.01.044.80.00 | ENGINE CASE RR 2T<br>NEW            | 1     |
| 2    | 026.01.003.00.00 | CRANKCASE GASKET                    | 1     |
| 3    | 1.641.500.000    | DOWEL 10,5.13.13                    | 1     |
| 4    | 006.01.012.00.00 | BUSH (BACK) 17.21.12                | 1     |
| 5    | C03.02.001.00.00 | BUSH 8X10X8                         | 1     |
| 6    | C24.90.002.00.00 | TORX SCREW M6X12 - 10.9/12.9<br>NEW | 1     |
| 7    | 006.01.023.00.00 | FAIR LEAD BREATHING TUBE MEM        | 1     |
| 8    | 1.150.360.000    | BOLT 6.40 RS CH8                    | 3     |
| 9    | 1.105.535.000    | BOLT 6.50 RS CH8                    | 10    |
| 10   | 036.01.010.82.00 | PACKINGS KIT                        | 1     |
| 11   | 006.01.016.00.00 | RETAINIG PLATE MAINBEARING<br>NEW   | 1     |



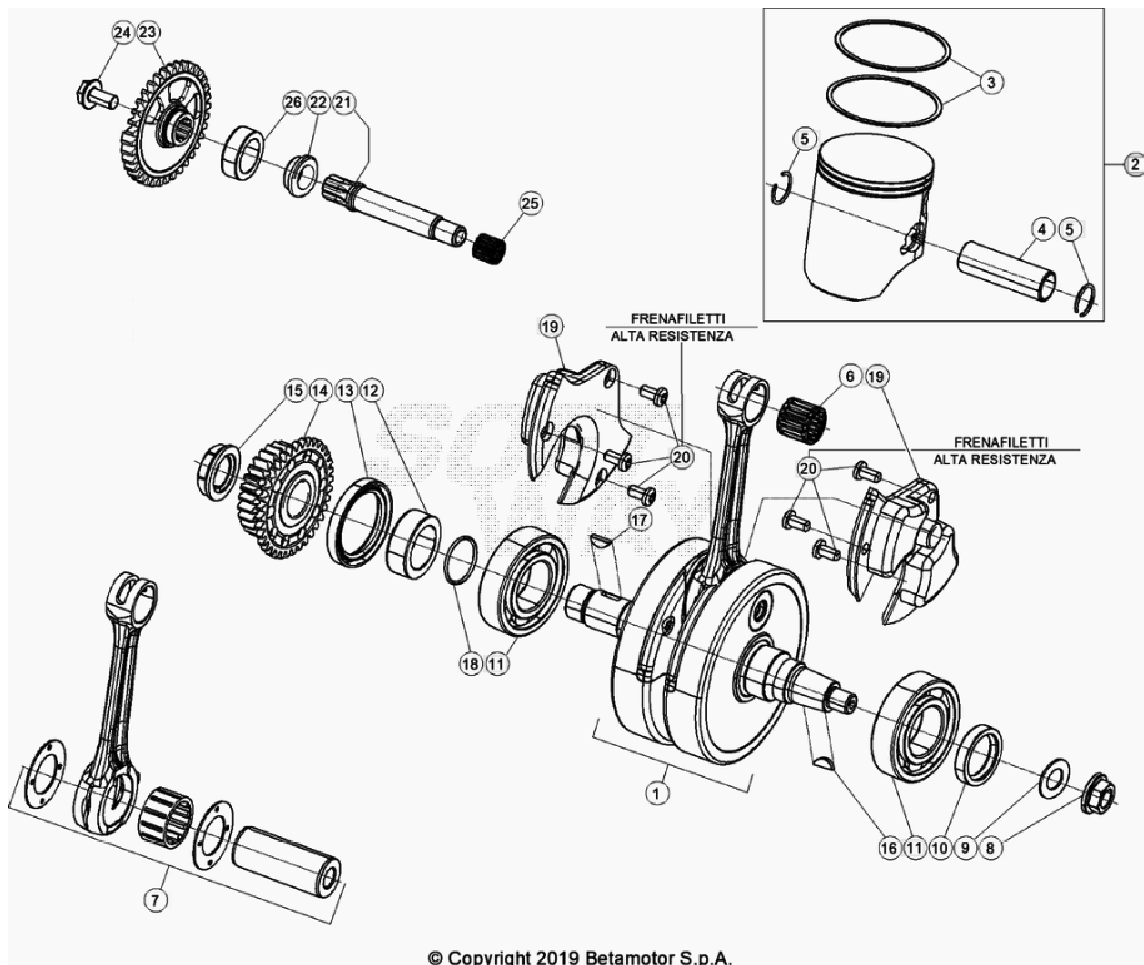
© Copyright 2019 Betamotor S.p.A.

| Ref. | Part Number      | Description          | Parts |
|------|------------------|----------------------|-------|
| 1    | 026.12.059.82.00 | CARBURETOR           | 1     |
| 3    | 026.12.009.80.00 | FLOAT ASSY           | 1     |
| 4    | 026.12.011.00.00 | FLOAT CHAMBER GASKET | 1     |
| 5    | 026.12.106.80.00 | CAP DRAIN ASSY       | 1     |
| 6    | 026.12.045.00.00 | KIT, TUBE            | 0     |
| 7    | 026.12.107.00.00 | CHAMBER ASSY         | 1     |
| 8    | 026.12.016.00.00 | SCREW M4X16          | 3     |
| 9    | 026.12.024.00.00 | PLATE                | 2     |

|     |                  |                          |   |
|-----|------------------|--------------------------|---|
| 10  | 026.12.028.80.00 | ADJUSTING SCREW ASSY     | 1 |
| 11  | 026.12.006.80.00 | SLIDE STOP ASSY          | 1 |
| 12  | 026.12.032.80.00 | ADJUSTING SCREW M5 ASSY  | 1 |
| 13  | 026.12.037.80.00 | SPRING ASSY              | 1 |
| 14  | 026.12.060.00.00 | CARBURETOR COVER         | 1 |
| 15  | 026.12.105.00.00 | CARB VALVE               | 1 |
| 16  | 026.12.019.00.00 | JET NEEDLE KEIHIN N2ZJ   | 1 |
| 17  | 026.12.046.00.00 | STARTER JET 85 KEIHINJ   | 1 |
| 18  | 1.642.304.000    | JET 118 KEIHIN           | 1 |
| 19  | 1.642.357.000    | PILOT JET SIZE 35        | 1 |
| 20  | 026.12.044.00.00 | PACKINGS KIT             | 1 |
| 22  | 036.12.004.00.00 | THROTTLE POSITION SENSOR | 1 |
| 23  | 2.557.912.000    | PLATE, FOOT BREKE LEVEL  | 1 |
| 24  | 1.254.242.000    | CLIP, JET NEEDLE         | 1 |
| 25  | 1.642.311.000    | JET 130 KEIHIN           | 1 |
| 111 | 026.12.008.00.00 | STARTER PISTON           | 1 |
| 112 | 026.12.057.82.00 | CARBURETOR               | 1 |
| 161 | 026.12.018.00.00 | JET NEEDLE KEIHIN N2ZW   | 1 |
| 162 | 026.12.020.00.00 | JET NEEDLE KEIHIN N2ZK   | 1 |
| 163 | 026.12.017.00.00 | JET NEEDLE KEIHIN N84K   | 1 |
| 164 | 026.12.021.00.00 | JET NEEDLE KEIHIN N2ZH   | 1 |
| 165 | 026.12.022.00.00 | JET NEEDLE KEIHIN NOZK   | 1 |
| 166 | 026.12.023.00.00 | JET NEEDLE KEIHIN NOZJ   | 1 |
| 168 | 035.12.017.00.00 | CONICAL NEEDLE N2ZG      | 1 |
| 171 | 026.12.005.00.00 | STARTER JET 50 KEIHINJ   | 1 |
| 181 | 3.625.104.000    | MAIN JET 155 KEIHIN      | 1 |
| 182 | 3.625.105.000    | MAIN JET 158 KEIHIN      | 1 |
| 183 | 3.625.106.000    | MAIN JET 160 KEIHIN      | 1 |
| 185 | 3.625.108.000    | MAIN JET 165 KEIHIN      | 1 |
| 186 | 3.625.109.000    | MAIN JET 168 KEIHIN      | 1 |
| 187 | 3.625.110.000    | MAIN JET 170 KEIHIN      | 1 |



|     |                  |                          |   |
|-----|------------------|--------------------------|---|
| 188 | 3.625.111.000    | MAIN JET 172 KEIHIN      | 1 |
| 189 | 3.625.112.000    | MAIN JET 175 KEIHIN      | 1 |
| 191 | 1.642.355.000    | MIN JET 38 VHST 26 CARB. | 1 |
| 192 | 026.12.007.00.00 | MIN JET 40 KEIHIN        | 1 |
| 193 | 1.642.347.000    | PILOT JET SIZE 42        | 1 |



| Ref. | Part Number      | Description                    | Parts |
|------|------------------|--------------------------------|-------|
| 1    | 026.02.049.80.00 | CRANKSHAFT RR 2T<br>NEW        | 1     |
| 2    | 026.02.033.80.0A | PISTON CPL. 300CC D=72,0MM -A- | 1     |
| 3    | 026.02.031.00.00 | PISTON RING D.72               | 2     |
| 4    | 026.02.023.00.00 | PIN                            | 1     |
| 5    | 1.042.600.000    | CIRCLIP 18                     | 2     |
| 6    | 1.616.710.000    | NEEDLE BUSHING 18.22.20        | 1     |
| 7    | 026.02.019.80.00 | CONNECTING ROD ASSY            | 1     |
| 8    | 1.325.010.000    | NUT                            | 1     |
| 9    | 2.774.810.000    | SPRING WASHER DIN137 B12 FST   | 1     |
| 10   | C02.01.041.00.00 | OIL SEAL, 25X35X7              | 1     |
| 11   | C06.01.035.00.00 | SEAL 3TM 6206CJR2CM40          | 2     |
| 12   | 026.02.009.00.00 | SPACER                         | 1     |
| 13   | C02.01.042.00.00 | OIL SEAL 38X52X7               | 1     |
| 14   | 026.03.005.80.00 | PINION GEAR Z27                | 1     |

|    |                  | NEW                          |   |
|----|------------------|------------------------------|---|
| 15 | 006.03.023.00.00 | NUT M20X1,5LH (PRIMARY GEAR) | 1 |
| 16 | 1.246.020.000    | KEY 3.5                      | 1 |
| 17 | 1.246.151.000    | WOODRUFF, 4.5                | 1 |
| 18 | 1.066.620.000    | OIL SEAL                     | 1 |
| 19 | 026.02.048.00.00 | CRANKSHAFT INSERT RR 2T      | 2 |
|    |                  | NEW                          |   |
| 20 | C24.91.002.00.00 | SCREW 6.12, TORX             | 6 |
| 21 | 026.02.040.00.00 | BALANCER SHAFT               | 1 |
|    |                  | NEW                          |   |
| 22 | 026.02.042.00.00 | NEW                          | 1 |
| 23 | 026.02.007.00.00 | BALANCE SHAFT GEAR           | 1 |
|    |                  | NEW                          |   |
| 24 | C24.31.044.00.00 | SCREW M8X16 DIN6921          | 1 |
|    |                  | NEW                          |   |
| 25 | 1.122.200.000    | NEEDLE 12.18.12              | 1 |
| 26 | 1.298.000.000    | BALL BEARING 20.42.12        | 1 |