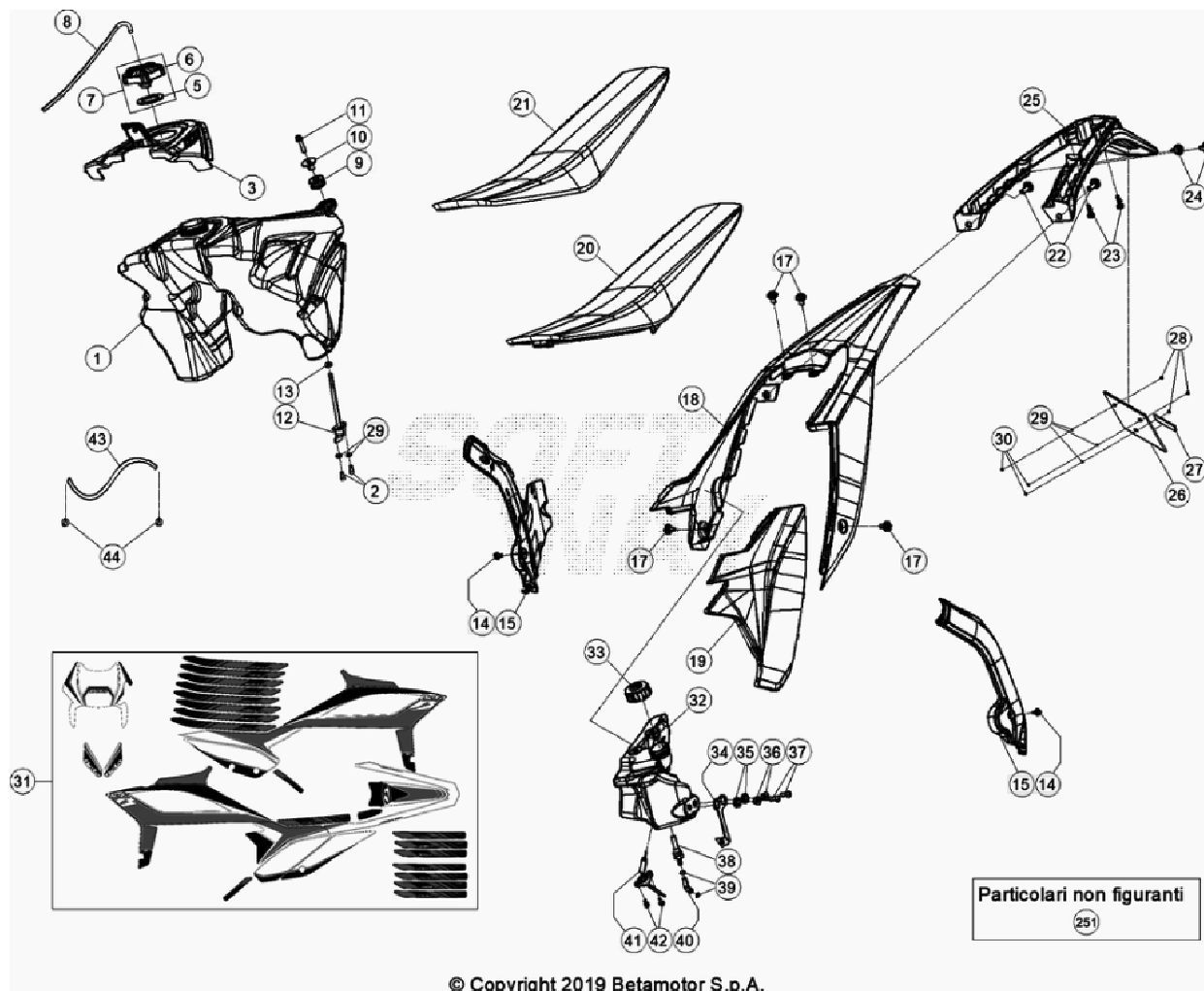


MFC **MOTOCROSS** **CENTER.COM**

Beta Enduro RR 300 2020



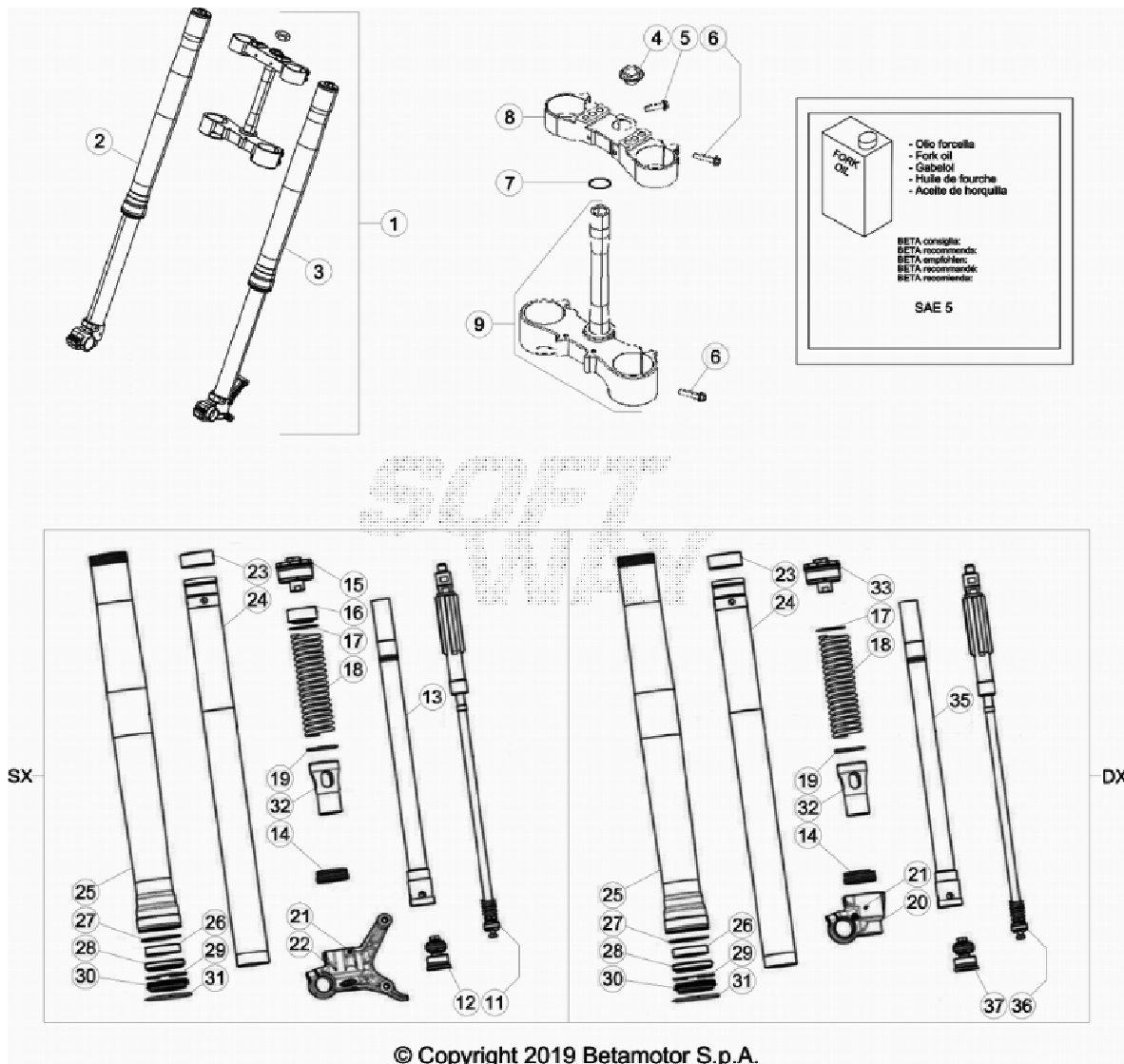


© Copyright 2019 Betamotor S.p.A.

Ref.	Part Number	Description	Parts
1	040.43.000.00.51	FUEL TANK WHITE RR 2T NEW	1
2	3.129.810.000	SCREW 5.12	2
3	037.43.006.00.59	TANK COVER BLACK RR NEW	1
4	3.189.010.000	SPECIAL SCREW NEW	1
5	031.43.116.00.00	GASKET	1
6	036.43.041.80.00	FUEL TANK CAP	1
7	036.43.041.82.00	FUEL TANK CAP	1
8	020.43.003.00.00	EXHAUST TUBE PLUG/VALVE RR 4TMY'10	1
9	032.37.013.00.00	EXHAUST PIPE SILENT-BLOCK, RR4T	1
10	020.43.002.00.00	SPACER, FUEL TANK RR 4T MY'10	1
11	1.150.300.000	BOLT 6.30 RS CH8	1

12	020.43.007.00.00	PETCOCK, RR 4T MY'10	1
13	026.43.034.00.00	OIL SEAL	1
14	C24.31.046.00.00	SCREW M5X8 8.8 DIN6921	2
15	037.43.019.00.59	FRAME GUARD - PAIR BLACK RR NEW	1
17	037.43.028.00.00	SPECIAL BOLT M6x8 NEW	4
18	037.43.007.87.51	REAR FENDER WHITE RR NEW	1
19	037.43.005.87.51	SIDE PANEL WHITE RR NEW	1
20	037.43.010.82.59	NEW	1
21	037.43.013.82.59	NEW	1
22	037.43.030.00.00	SPECIAL BOLT M6x16 NEW	2
23	3.179.960.000	SCREW, 6X15	2
24	037.43.029.00.00	SPECIAL BOLT M6x12 NEW	2
25	037.43.014.00.59	LICENSE PLATE HOLDER BLACK RR NEW	1
26	018.43.010.10.59	LIGENCE PLATE BRACKET	1
27	1.233.086.000	REAR REFRECTOR, RR 4T	1
28	3.129.860.000	SCREW 5.16	3
29	2.736.000.000	WASHER 5.11	5
30	1.311.010.000	NUT 5, SELF-BLOCKING NUT 5	3
31	037.43.018.82.00	DECALS - FULL SET RR MY20 NEW	1
32	040.43.001.00.51	OIL TANK RR 2T NEW	1
33	040.43.004.00.00	OIL TANK CAP NEW	1
34	040.43.002.00.00	BRACKET NEW	1
35	2.891.880.000	SILENT-BLOCK	2
36	1.362.000.000	SPACER	2
37	3.130.470.000	SCREW 6.14	2

38	036.43.017.00.00	CONNECTOR	1
39	C07.16.006.00.00	TIE WRAP D9	2
40	036.43.022.00.00	OIL PIPE	1
41	040.40.005.00.00	LEVEL SENSOR	1
42	1.147.015.000	BOLT 6.12 RS CH8	2
43	026.43.005.00.00	GASOLINE TUBE TANK/CARBUR. RR2T	1
44	C07.08.008.00.00	RING CE 12	2
251	037.43.015.00.59	LICENSE PLATE HOLDER BLACK RR NEW	



© Copyright 2019 Betamotor S.p.A.

Ref.	Part Number	Description	Parts
1	040.34.000.80.00	FRONT FORK ASSY RR 2T MY20 NEW	1
2	040.34.003.80.00	RIGHT FORK LEG RR 2T NEW	1
3	040.34.004.80.00	LEFT FORK LEG RR 2T NEW	1
4	020.34.004.00.00	FRONT FORK 20X1,5 NUT RR 4T MY'11	1
5	1.155.440.000	BOLT 8.30 RS CH10	1
6	1.155.510.000	BOLT 8.40	8
7	1.066.420.000	O-RING 20,22.3,53 NBR	1
8	026.34.024.42.04	UPPER YOKE	1
9	026.34.025.80.04	LOWER YOKE	1

		NEW	
11	040.34.009.00.00	EXTENSION GROUP	1
		NEW	
12	037.34.019.00.00	COMPRESSION GROUP	1
		NEW	
13	037.34.015.00.00	HOSE	1
		NEW	
14	020.34.313.00.00	STEM SUPPORTING RING + O RING	2
15	037.34.009.00.00	CAP	1
		NEW	
16	040.34.008.00.00	SPACER	1
		NEW	
17	031.34.323.00.00	WASHER	2
18	026.34.040.00.00	SPRING K 4,1 N/MM	2
19	020.34.321.00.00	CENTERING RING	2
20	037.34.014.00.00	FORK BOTTOM	1
		NEW	
21	020.34.308.00.00	DOWEL	2
22	037.34.013.00.00	FORK BOTTOM	1
		NEW	
23	020.34.320.00.00	BUSH D.49/47 L20	2
24	031.34.021.00.00	STEM	2
25	037.34.008.00.00	FORK SLIDER	2
		NEW	
26	031.34.020.00.00	BUSH	2
27	020.34.318.00.00	SPACER	2
28	020.34.317.00.00	OIL SEAL	2
29	020.34.316.00.00	CIRCLIP D.58,45	2
30	020.34.315.00.00	DUST SCRAPER	2
31	026.34.364.00.00	CHECK RING	2
32	037.34.012.00.00	SPRING GUIDE	2
		NEW	
33	037.34.010.00.00	CAP	1
		NEW	
35	037.34.016.00.00	HOSE	1

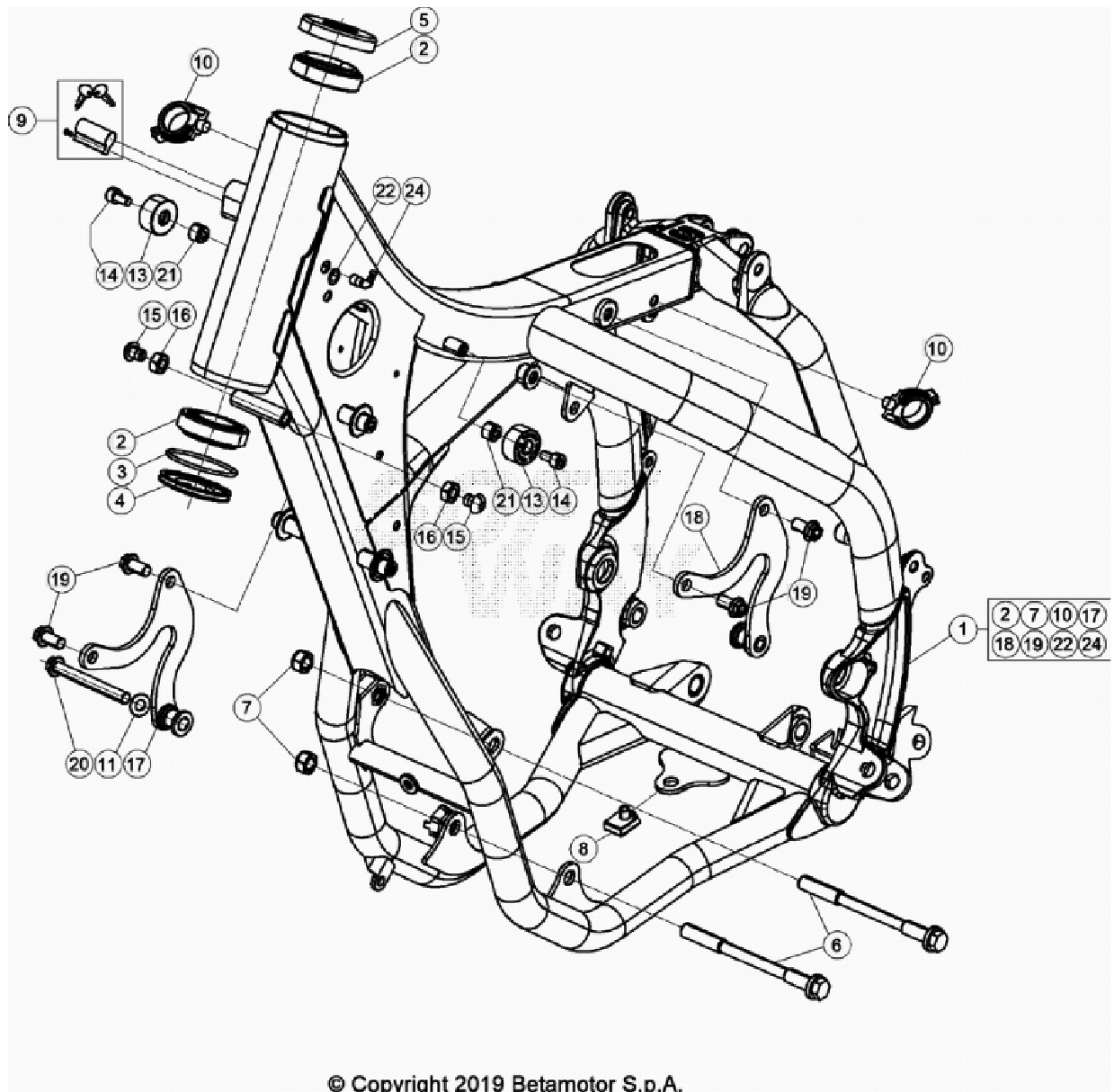
NEW

36	040.34.010.00.00	EXTENSION GROUP	1
----	------------------	-----------------	---

NEW

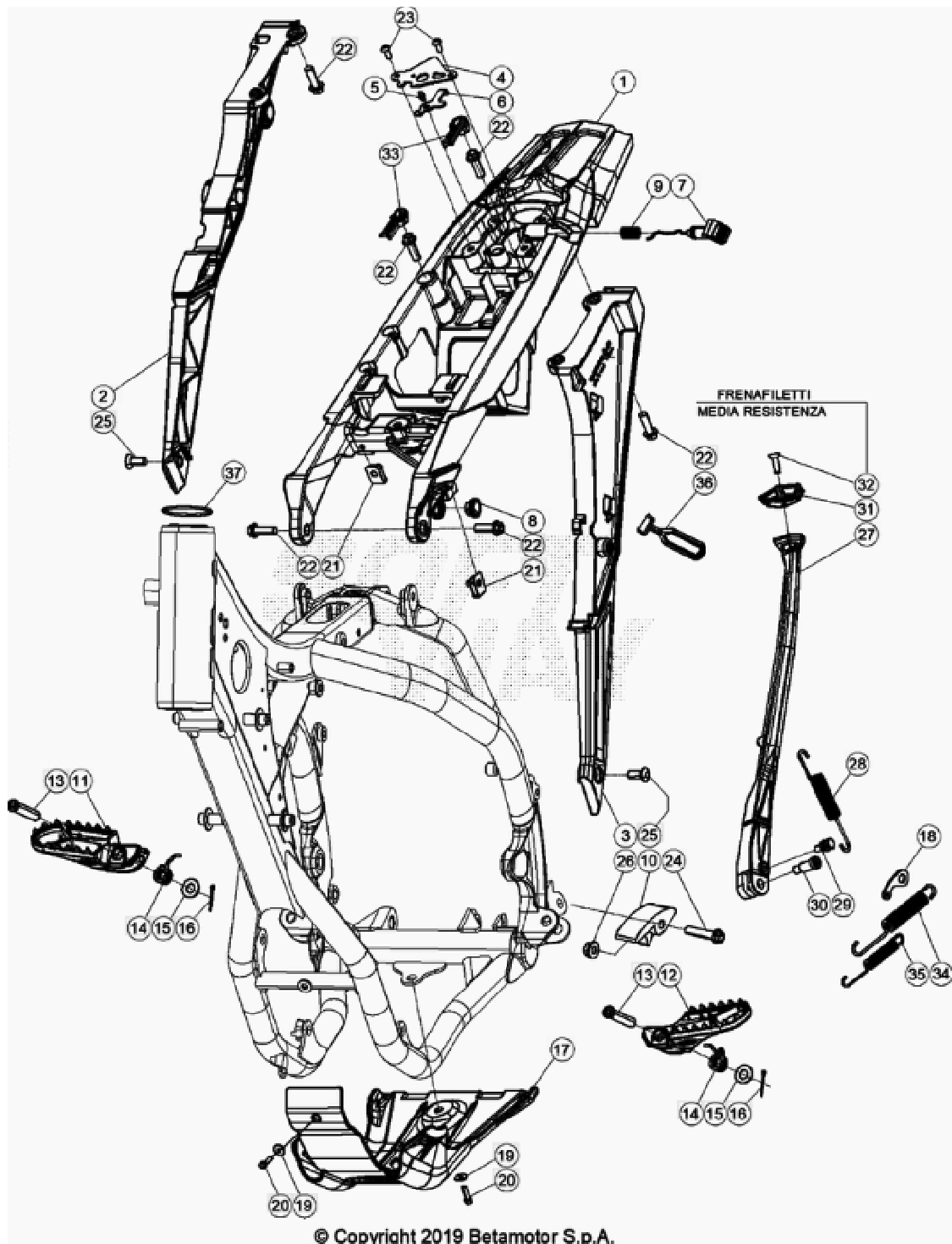
37	040.34.011.00.00	COMPRESSION GROUP	1
----	------------------	-------------------	---

NEW



Ref.	Part Number	Description	Parts
1	040.31.022.80.50	NEW	1
2	1.299.510.000	SEAL 29.50.15	2
3	1.066.935.000	O RING	1
4	020.31.039.00.00	FRONT FORK RING, RR 4T MY'10	1
5	031.31.016.22.00	PROTECTION, UPPER BEARING	1
6	1.164.607.000	SPECIAL BOLT	2
7	1.321.060.000	NUT, M10X1,25 H.8.5 14MM SELF-LOCKING	2
8	2.560.311.000	M6 SCREW PLATE	1
9	037.31.024.00.00	STEERING LOCK PIN TUMBLER NEW	1

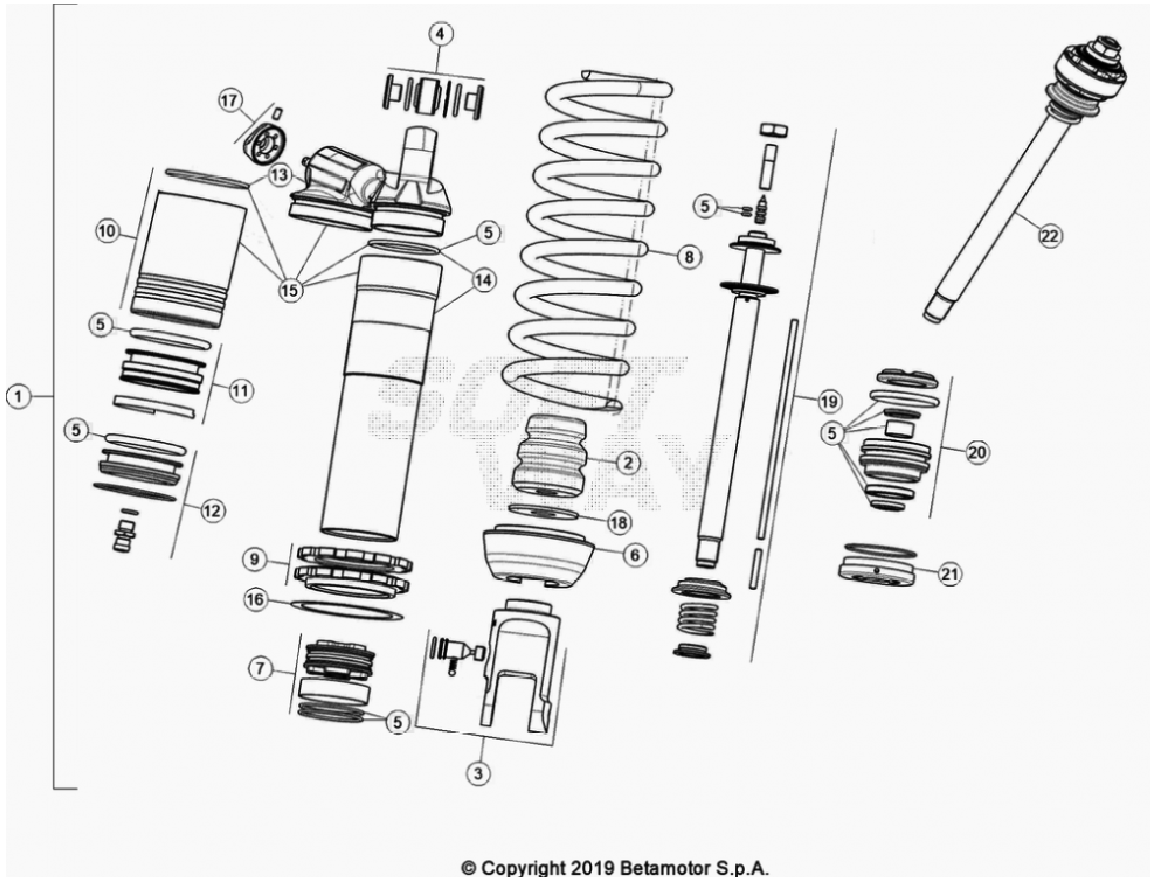
10	2.524.441.000	FAIR LEAD D.15, RR 4T	2
11	C19.28.008.00.00	WASHER 8x16x1,6 DIN125-A HV300 NEW	1
13	2.910.310.000	TANK RUBBER PAD	2
14	3.131.050.000	SCREW 6.15	2
15	3.164.060.000	SCREW 8.16	2
16	1.316.000.000	NUT 8.6	2
17	040.32.000.80.00	ENGINE CONNECTION RR 2T NEW	1
18	040.32.001.50.00	ENGINE CONNECTION RR 2T NEW	1
19	1.154.521.000	BOLT 8.16 CH.10	4
20	1.155.970.000	BOLT 8.65 PF CH13 RS	1
22	2.733.741.000	RIVNUT	1
24	2.723.473.000	BREATHER PIPE HOSE	1
25	2.524.443.000	FAIR LEAD, 6/6	1



Ref.	Part Number	Description	Parts
1	040.32.039.82.59	REAR FRAME - KIT 5L0204703-XL0205152 NEW	1
2	037.32.041.87.59	REAR FRAME CONNECTION BLACK RR NEW	1
3	037.32.043.87.59	REAR FRAME CONNECTION BLACK RR NEW	1
4	020.32.010.00.05	SEAT LOCK FIXING PLATE	1

5	020.32.112.00.00	SEAT LOCK SPECIAL RIVET	1
6	037.32.013.50.00	RETAINING PLATE NEW	1
7	037.32.014.87.59	SEAT BUTTON BLACK RR NEW	1
8	037.38.003.00.00	INSERT NEW	1
9	020.32.016.00.00	SEAT LOCK BUTTON SPRING	1
10	2.525.601.000	SLIDING BLOCK	1
11	037.32.009.00.00	FOOTPEG NEW	1
12	037.32.008.00.00	FOOTPEG NEW	1
13	2.554.465.000	PIVOT PIN, FOOTREST RR 4T	2
14	037.32.019.00.00	SPRING NEW	2
15	031.32.001.00.00	WASHER 10.20..1,5	2
16	1.281.993.000	SPLIT PIN	2
17	040.32.005.00.59	ENGINE GUARD BLACK RR 2T NEW	1
18	037.32.031.50.00	STAND SPRING BRACKET NEW	1
19	2.742.000.000	WASHER 6.18	2
20	1.149.070.000	BOLT 6.20	2
21	2.560.311.000	M6 SCREW PLATE	2
22	3.164.070.000	SCREW 8.30	5
23	3.129.810.000	SCREW 5.12	2
24	1.155.480.000	BOLT 8.40	1
25	007.32.032.00.00	SCREW TSBEI CH 6 M8X20	2
26	1.317.120.000	NUT M8	1
27	037.32.010.82.00	SUPPORT - KIT NEW	1
28	037.32.030.00.00	SPRING NEW	1
29	1.166.615.000	SPECIAL BOLT	1
30	1.166.614.000	SPECIAL BOLT, RR 4T '08	1

31	037.32.017.00.00	INSERT NEW	1
32	3.134.400.000	SCREW 6.20	1
33	037.32.027.00.00	RUBBER PAD - KIT NEW	1
34	037.32.029.00.00	SPRING NEW	1
35	037.32.028.00.00	SPRING NEW	1
36	1.634.907.000	STAND RUBBER, RR 4T	1
37	031.32.007.00.00	OIL SEAL	1
38	1.150.355.000	BOLT 6.35 RS CH8	2
39	1.514.268.000	CLAMP	1
40	2.740.500.000	WASHER 6.12.1,6 DIN 125	2

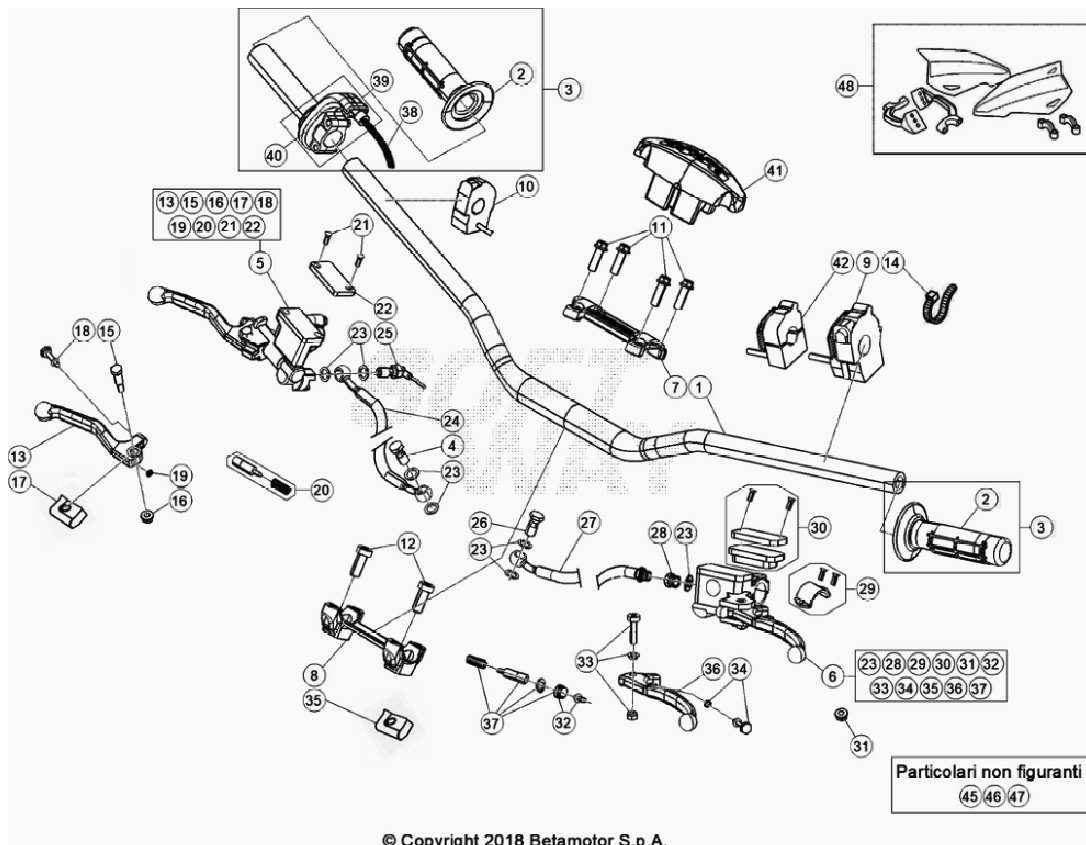


© Copyright 2019 Betamotor S.p.A.

Ref.	Part Number	Description	Parts
1	040.33.000.80.00	SHOCK ABSORBER RR 2T NEW	1
2	037.33.009.00.00	SHOCK ABSORBER BUMPER NEW	1
3	037.33.010.00.00	SHOCK ABSORBER FORK NEW	1
4	1.386.078.800	SHOCK ABSORBER SPACERS *SET*	1
5	037.33.011.82.00	GASKET - KIT NEW	1
6	037.33.007.00.00	SPRING CAP NEW	1
7	026.33.020.00.00	PISTON	1
8	026.33.022.00.00	SPRING K 5,2 N/MM	1
9	026.33.019.00.00	SHOCK ABSORBER ADJUSTING NUT - KIT	1
10	026.33.012.00.00	SHOCK ABSORBER GAS TANK	1
11	026.33.013.00.00	MEMBRANE	1
12	026.33.014.00.00	CAP	1

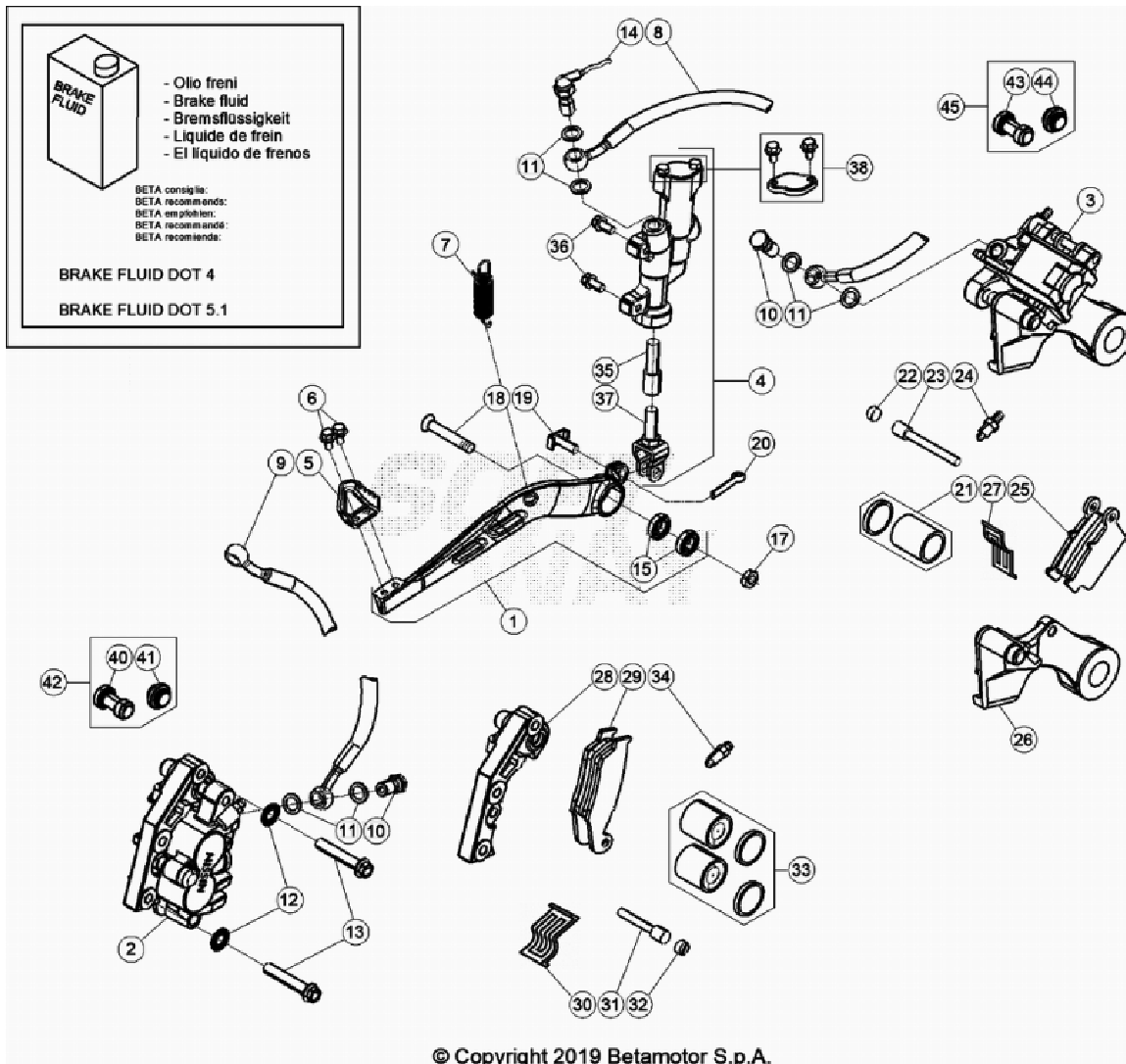


13	037.33.013.00.00	CAP NEW	1
14	037.33.014.00.00	SHOCK ABSORBER BODY NEW	1
15	037.33.015.00.00	SHOCK ABSORBER BODY NEW	1
16	031.33.012.00.00	WASHER	1
17	026.33.021.00.00	ADJUSTMENT	1
18	031.33.014.00.00	WASHER	1
19	037.33.016.00.00	FORK TUBE NEW	1
20	037.33.017.00.00	GUIDE NEW	1
21	026.33.026.00.00	CAP	1
22	040.33.002.80.00	FORK TUBE ASSY NEW	1



Ref.	Part Number	Description	Parts
1	037.35.000.00.59	HANDLEBAR BLACK NEW	1
2	036.35.005.00.00	GRIPS (PAIR)	1
3	026.35.002.80.00	TWIST GRIP	1
4	1.165.053.000	RR4T BRAKE TUBE M10X25 BOLT	1
5	2.102.057.059	FRONT BRAKE LEVER	1
6	020.35.020.00.00	CLUTCH LEVERRRR	1
7	1.208.253.000	UPPER HANDLEBAR BRACKET, FORK15.08050	1
8	1.208.263.000	LOWER HANDLEBAR BRACKET, FORK15.08050	1
9	016.35.010.00.00	DEVICE, RR 4T	1
10	026.40.047.00.00	DEVICE	1
11	3.164.070.000	SCREW 8.30	4
12	3.165.626.000	SCREW TCCE M10.25 SPECIAL HEAD	2
13	2.127.104.000	FRONT BRAKE LEVER ONLY (2102057)	1
14	1.514.264.000	WHITE CLAMP	3
15	3.196.832.000	RR4Y BRAKE LEVER SPECIAL SCREW	1

16	1.330.911.000	SPECIAL NUT BRAKE LEVER RR4T	1
17	1.633.841.000	GROMMET	1
18	3.188.604.000	BRAKE LEVER ADJUSTING SCREW	1
19	2.238.704.000	SPRING FOR BRAKE LEVER ADJUSTMENT	1
20	2.008.258.000	BRAKE PUMP PISTON ASSY	1
21	3.123.410.052	SCREW	2
22	031.36.003.82.00	REAR PLIER KIT	1
23	1.650.510.000	GASKET 10.15.1 COPPER	7
24	037.36.002.00.00	BRAKE HOSE NEW	1
25	1.889.621.000	STOP SWITCH, M10 X 1,25	1
26	1.165.040.000	SPECIAL BOLT	1
27	026.35.014.00.00	CLUTCH TUBE	1
28	020.35.032.00.00	JOINT.P.	1
29	020.35.025.00.00	CLAMP, CLUTCH CONTROL LEVER	1
30	020.35.023.00.00	RESERVOIR CAP, CLUTCH CONTROLLEVER	1
31	020.35.028.00.00	ANTI-BUBBLE, CLUTCH CONTROL LEVER	1
32	020.35.029.00.00	PUSH-ROD, CLUTCH CONTROL LEVER	1
33	020.35.024.00.00	LEVER PIN, CLUTCH CONTROL LEVER	1
34	020.35.030.00.00	SPRING GUIDE, CLUTCH CONTROL LEVER	1
35	020.35.027.00.00	DUST COVER, CLUTCH CONTROL LEVER	1
36	020.35.022.00.00	LEVER, CLUTCH CONTROL LEVER	1
37	020.35.026.00.00	PISTON SET, CLUTCH CONTROL LEVER	1
38	026.35.011.82.00	GAS TRASMISSION	1
39	026.35.010.00.00	TWIST GRIP, RR 2T	1
40	031.35.013.00.00	GUARD	1
41	037.43.016.00.59	HANDLEBAR PROTECTION BLACK RR NEW	1
42	007.40.088.00.00	ECU MAP SWITCH EVO	1
45	1.230.100.000	HOLDER WITH MIRROR CONNECTION	1
46	2.892.927.000	RH MIRROR	1
47	031.35.008.00.00	MIRROR	1

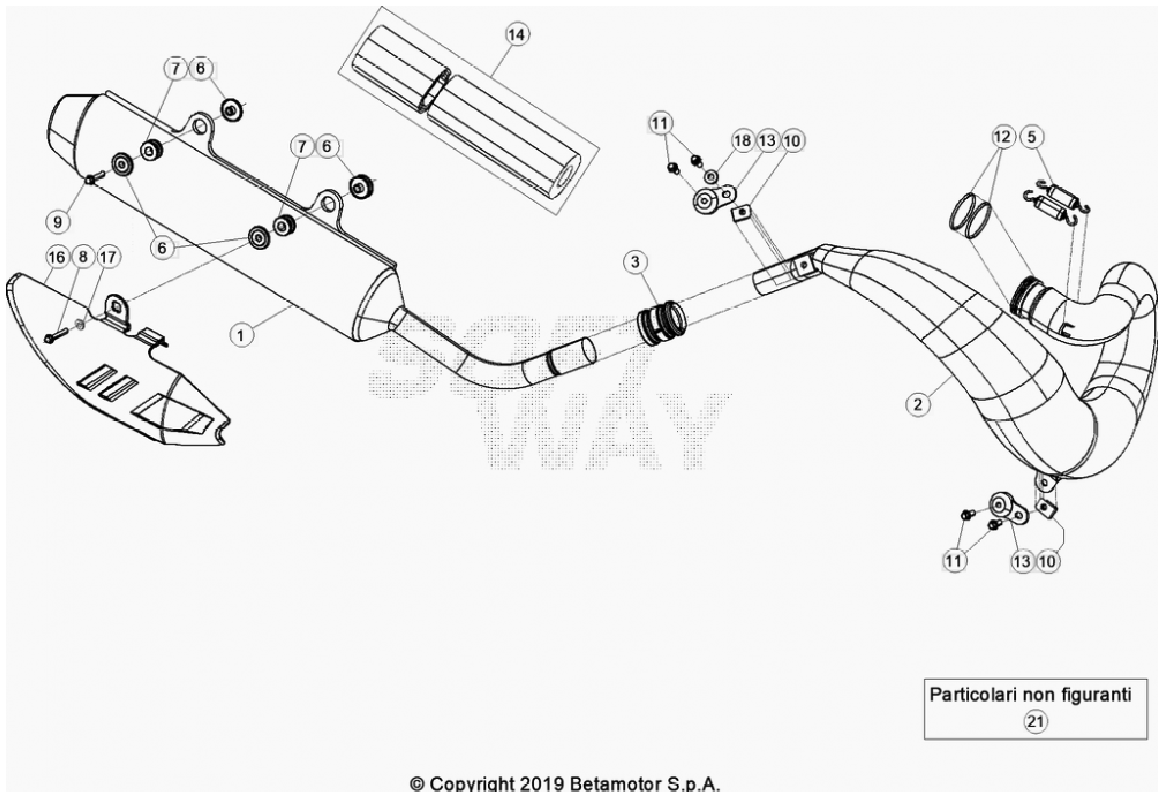


© Copyright 2019 Betamotor S.p.A.

Ref.	Part Number	Description	Parts
1	037.36.004.80.00	FOOT BRAKE LEVER NEW	1
2	2.503.056.000	FRONT DISC BRAKE CALIPER, RR 4T	1
3	2.503.066.000	REAR DISC BRAKE CALIPER, RR 4T	1
4	2.591.178.000	PUMP, REAR BRAKE	1
5	2.290.053.000	FOOTREST HUB, RR 4T	1
6	1.146.251.000	BOLT 5,12	2
7	2.248.813.000	SPRING	1
8	2.909.428.000	REAR BRAKE HOSE, RR 4T '07	1
9	037.36.002.00.00	BRAKE HOSE NEW	1
10	1.165.053.000	RR4T BRAKE TUBE M10X25 BOLT	2

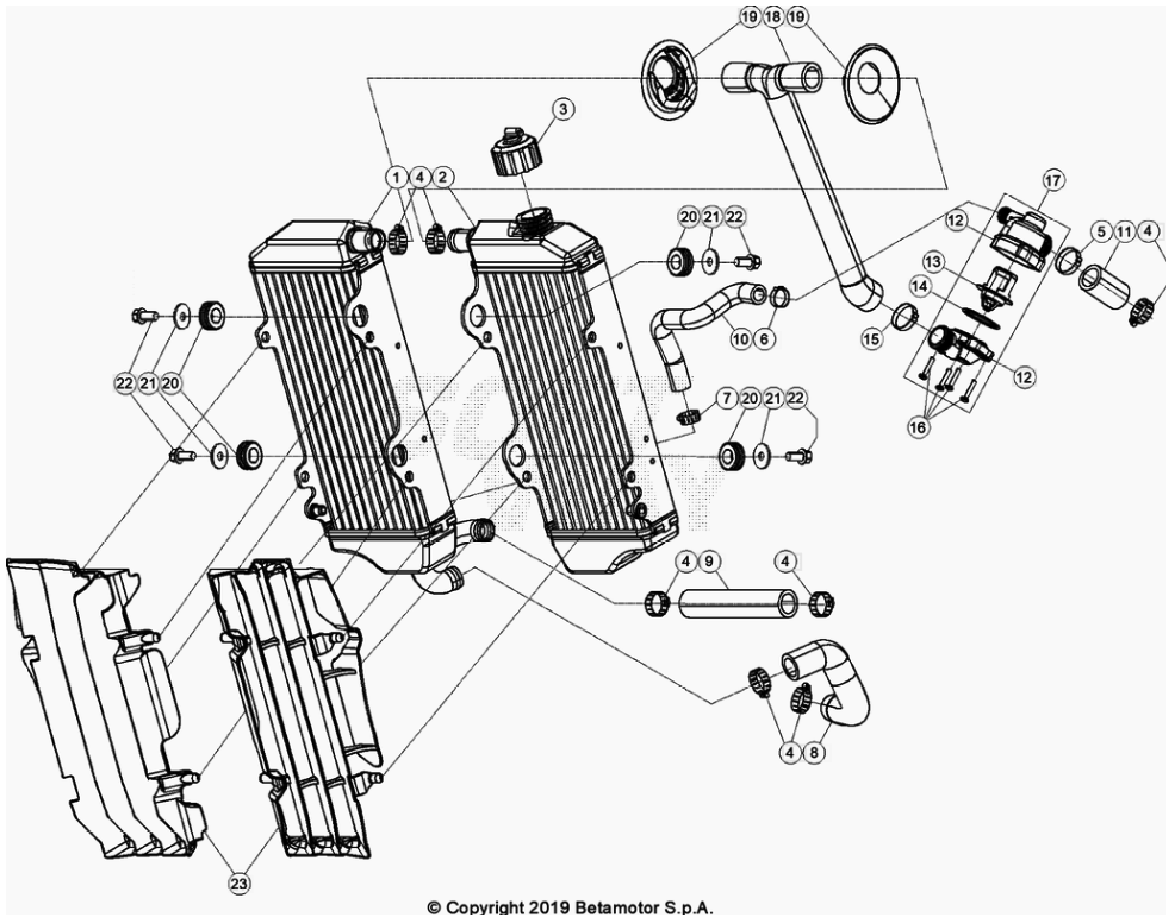
11	1.650.510.000	GASKET 10.15.1 COPPER	6
12	2.524.442.000	FAIR LEAD, 6/8	1
13	1.155.510.000	BOLT 8.40	2
14	1.889.621.000	STOP SWITCH, M10 X 1,25	1
15	C06.01.047.00.00	BEARING 10X26X8 - 2RSH NEW	2
17	1.321.060.000	NUT, M10X1,25 H.8.5 14MM SELF-LOCKING	1
18	037.36.001.00.00	SPECIAL BOLT M10x1,25x35 NEW	1
19	2.541.830.000	PIN	1
20	1.281.995.000	CLIP 2.15 INOX	1
21	2.002.717.000	PISTON & OIL SEAL KIT FOR PLIERS 2503066	1
22	3.196.821.000	PIN PLUG, FOR 2503056/2503066	1
23	2.541.860.000	PIN HANGER, FOR 25.03066.000	1
24	2.891.002.000	BREATHER PIPE	1
25	2.525.362.000	BRAKE PADS	1
26	020.36.011.00.00	REAR BRAKE CALIPER BRACKET ASSY	1
27	2.232.208.000	BRAKE PADS SPRING FOR PLIERS	1
28	020.36.012.00.00	FRONT BRAKE CALIPER BRACKET ASSY	1
29	2.525.361.000	BRAKE PADS	1
30	2.232.207.000	BRAKE PADS SPRING FOR PLIERS	1
31	2.541.859.000	PIN HANGER, FOR 25.03056.000	1
32	3.196.821.000	PIN PLUG, FOR 2503056/2503066	1
33	2.002.716.000	PISTON & OIL SEAL KIT FOR PLIERS 2503056	1
34	2.891.001.000	BREATHER PIPE	1
35	2.008.276.000	KIT PISTON, BRAKE PUMP 25.91178	1
36	3.130.750.000	SCREW 6.16	2
37	2.008.277.000	KIT LEVER, BRAKE PUMP 25.91178	1
38	2.008.275.000	KIT, BRAKE PUMP TANK 25.91178	1
40	036.36.002.00.00	PROTECTOR	1
41	036.36.003.00.00	PROTECTOR	1
42	036.36.006.82.00	FRONT PROTECTOR	1

43	036.36.004.00.00	PROTECTOR	1
44	036.36.005.00.00	PROTECTOR	1
45	036.36.007.82.00	REAR PROTECTOR	1



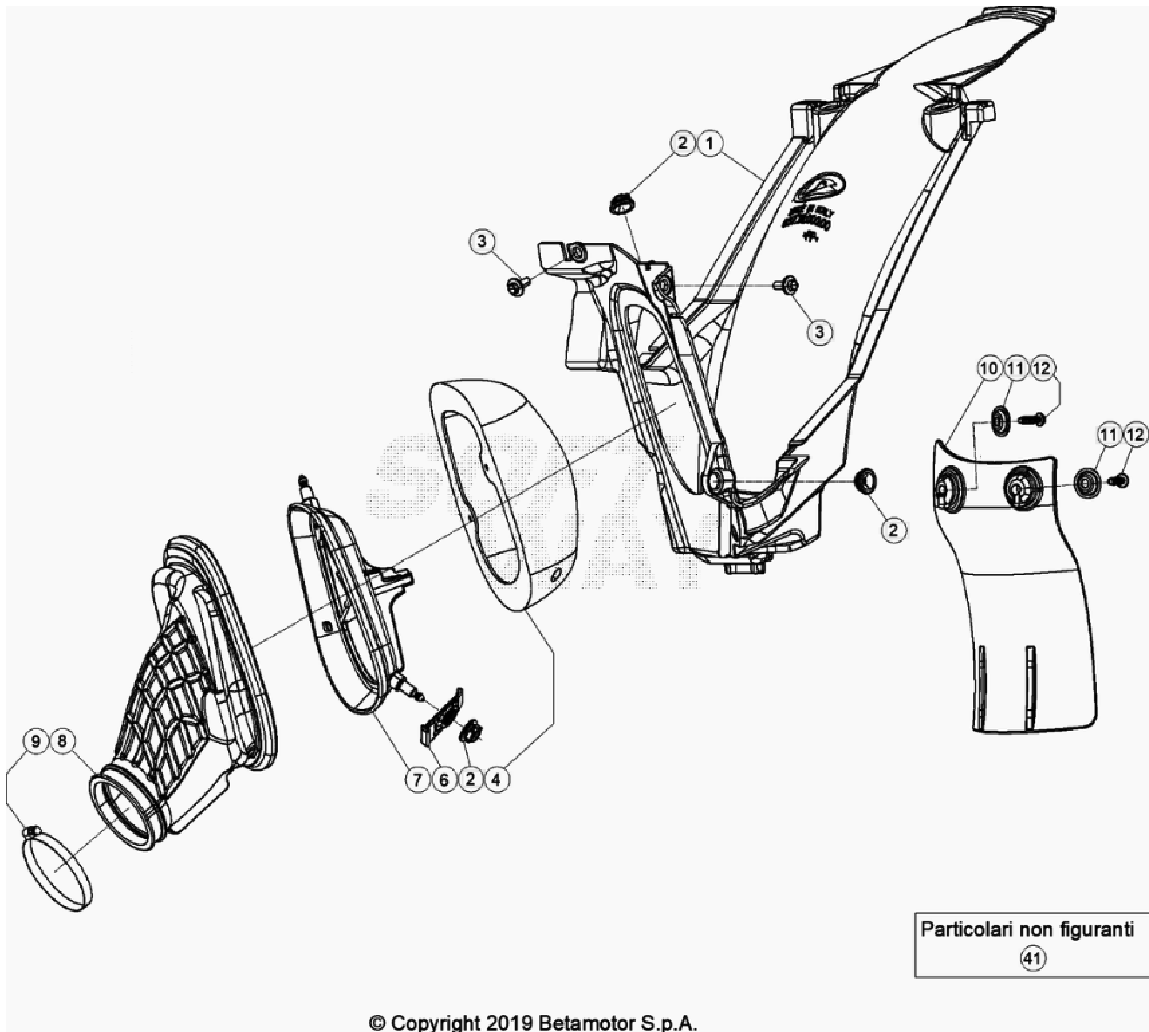
Ref.	Part Number	Description	Parts
1	040.37.001.80.00	SILENCER RR 2T 300 NEW	1
2	026.37.023.00.00	EXHAUST RR 2T	1
3	026.37.103.00.00	EXHAUST GASKET	1
5	026.37.005.00.00	SPRING, EXAUST PIPE RR 2T	2
6	026.37.006.00.00	SPACER	4
7	032.37.013.00.00	EXHAUST PIPE SILENT-BLOCK, RR4T	2
8	1.150.355.000	BOLT 6.35 RS CH8	1
9	1.150.300.000	BOLT 6.30 RS CH8	1
10	2.560.311.000	M6 SCREW PLATE	2
11	1.148.025.000	BOLT 6.16	4
12	C02.06.051.00.00	OIL SEAL OR 43,00.3,00	2
13	2.891.943.000	SILENT-BLOCK	2
14	026.37.007.82.00	KIT FOR SILENCER OVERHAULING	1
16	040.37.002.82.59	SILENCER GUARD BLACK RR 2T NEW	1

17	1.354.841.000	SPACER 6,5/10,0/16,0 . 4,3	1
18	2.742.000.000	WASHER 6.18	1
21	026.37.016.80.00	EXHAUST 2T	1



Ref.	Part Number	Description	Parts
1	040.39.001.00.00	RADIATOR RR 2T NEW	1
2	041.39.004.00.00	RADIATOR RR 2T NEW	1
3	036.39.008.00.00	WATER TANK COVER NEW	1
4	1.515.240.000	CLAMP 16/27	7
5	C07.16.005.00.00	TIE WRAP D25	1
6	020.39.009.00.00	SELF LOCKING CLAMP, 17	1
7	1.515.220.000	CLAMP	1
8	026.39.006.00.00	WATER PUMP PIPE	1
9	040.39.007.00.00	WATER HOSE RR 2T NEW	1
10	040.39.008.00.00	WATER HOSE RR 2T NEW	1
11	041.39.002.00.00	WATER HOSE RR 2T 200 NEW	1

12	037.39.006.00.00	THERMOSTAT CASE RR	1
		NEW	
13	026.39.013.00.00	TERMOSTAT RR TS	1
14	1.066.830.000	O-RING	1
15	C07.16.007.00.00	TIE WRAP D26	1
16	031.39.017.50.00	SCREW M3,5X18	4
17	040.39.003.80.00	THERMOSTAT RR 2T	1
		NEW	
18	040.39.004.00.00	THERMOSTAT HOSE RR 2T	1
		NEW	
19	037.39.015.00.00	CAP	2
		NEW	
20	035.39.006.00.00	SILENT BLOCK	4
21	2.743.250.000	WASHER 6.24	4
22	1.147.015.000	BOLT 6.12 RS CH8	4
23	037.39.003.00.51	RADIATOR LOUVER PAIR WHITE RR	
		NEW	



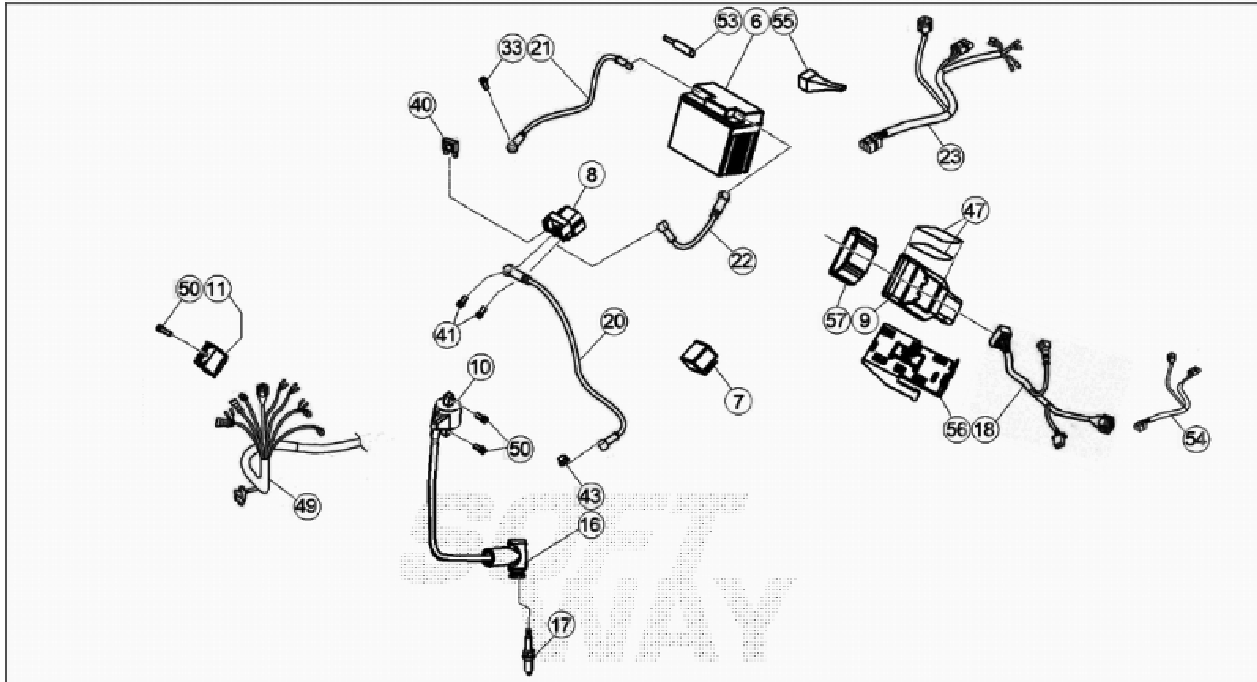
© Copyright 2019 Betamotor S.p.A.

Ref.	Part Number	Description	Parts
	1 037.38.000.87.59	AIRBOX BLACK RR NEW	1
	2 037.38.003.00.00	INSERT NEW	3
	3 037.43.029.00.00	SPECIAL BOLT M6X12 NEW	2
	4 037.38.002.82.00	AIR FILTER NEW	1
	6 037.38.006.00.59	AIR BOX BRACKET BLACK RR NEW	1
	7 037.38.001.00.00	AIR FILTER CAGE RR NEW	1
	8 040.38.000.00.00	AIRBOX SLEEVE RR 2T NEW	1
9	1.514.272.000	CLAMP	1
10	026.38.007.10.59	PROTECTION REAR SHOCK	1

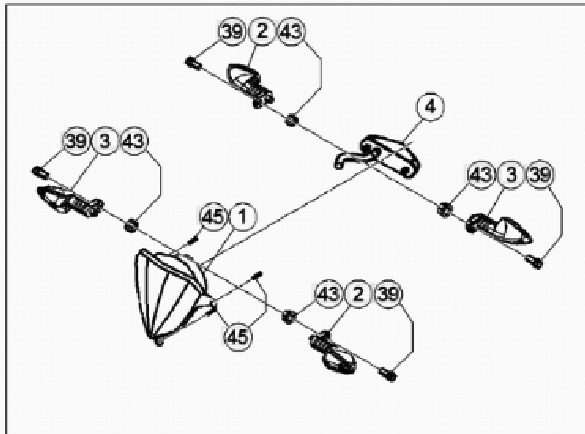
11	2.774.786.000 WASHER	2
12	3.130.815.000 SCREW 6.20	2

41 040.38.002.82.00	AIR FILTER RR 2T NEW	
---------------------	-------------------------	--

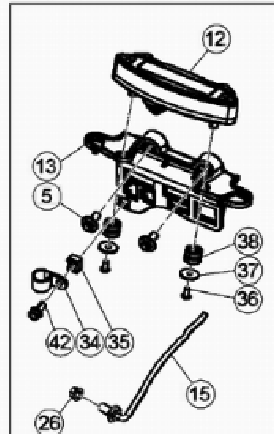
GR. COMPONENTI ELETTRICI/CABLAGGI



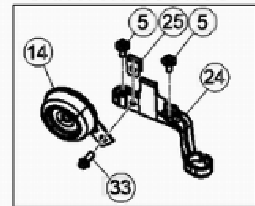
GR. LUCI/INDICATORI



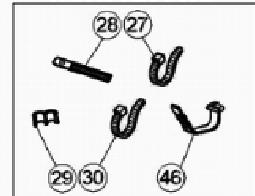
GR. STRUMENTAZIONE



GR. AVV. ACUSTICO



GR. ACCESSORI

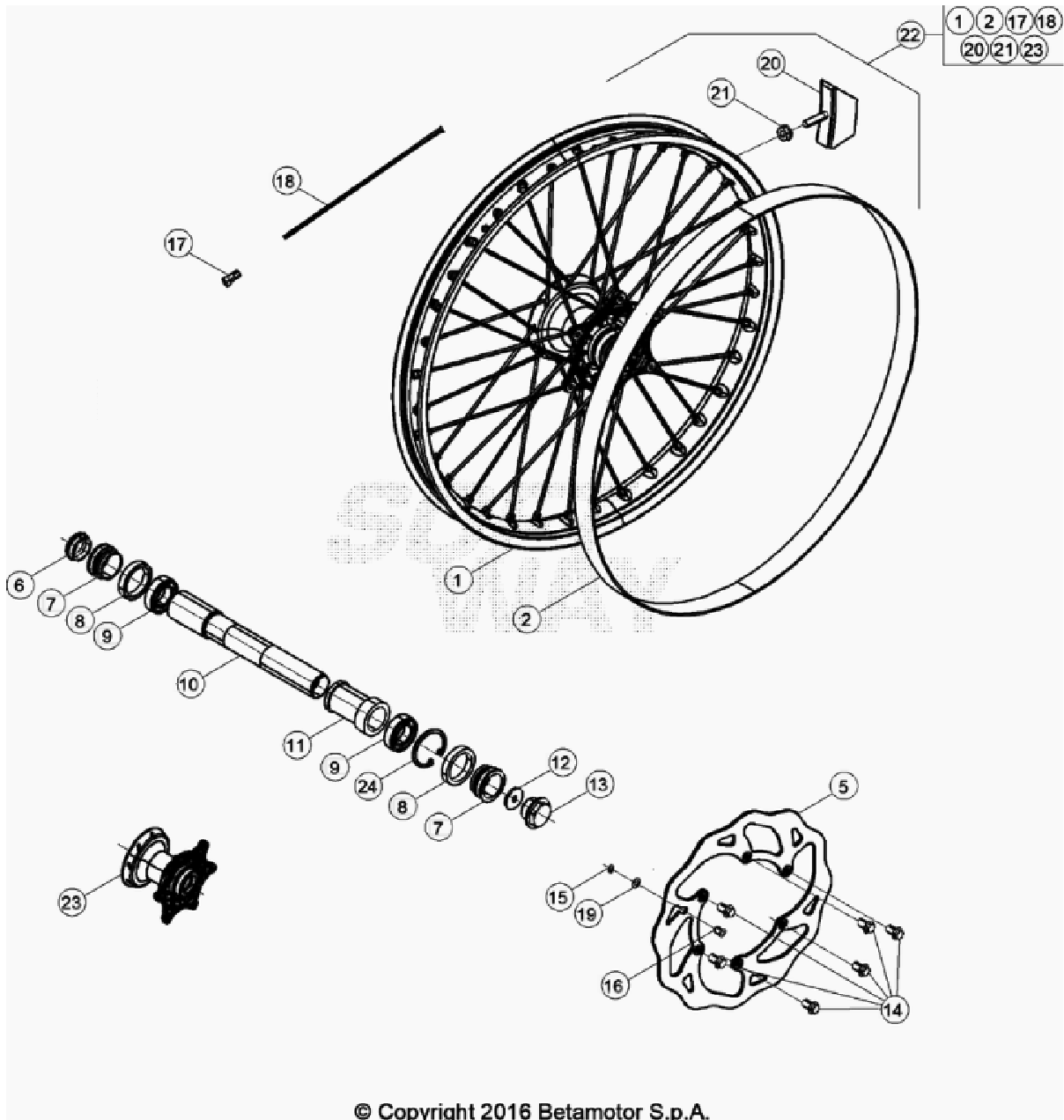


© Copyright 2019 Betamotor S.p.A.

Ref.	Part Number	Description	Parts
1	031.40.006.00.00	HEADLIGHT	1
2	020.40.061.00.00	BLINKER F/LF - R/RH	2
3	020.40.060.00.00	BLINKER F/RH - R/LF	2
4	037.40.012.00.00	REAR HEADLIGHT NEW	1
5	037.43.028.00.00	SPECIAL BOLT M6x8 NEW	4
6	026.40.048.00.00	BATTERY	1
7	1.884.948.000	FLASHING DEVICE	1
8	2.728.471.000	RELAIS, STARTING	1

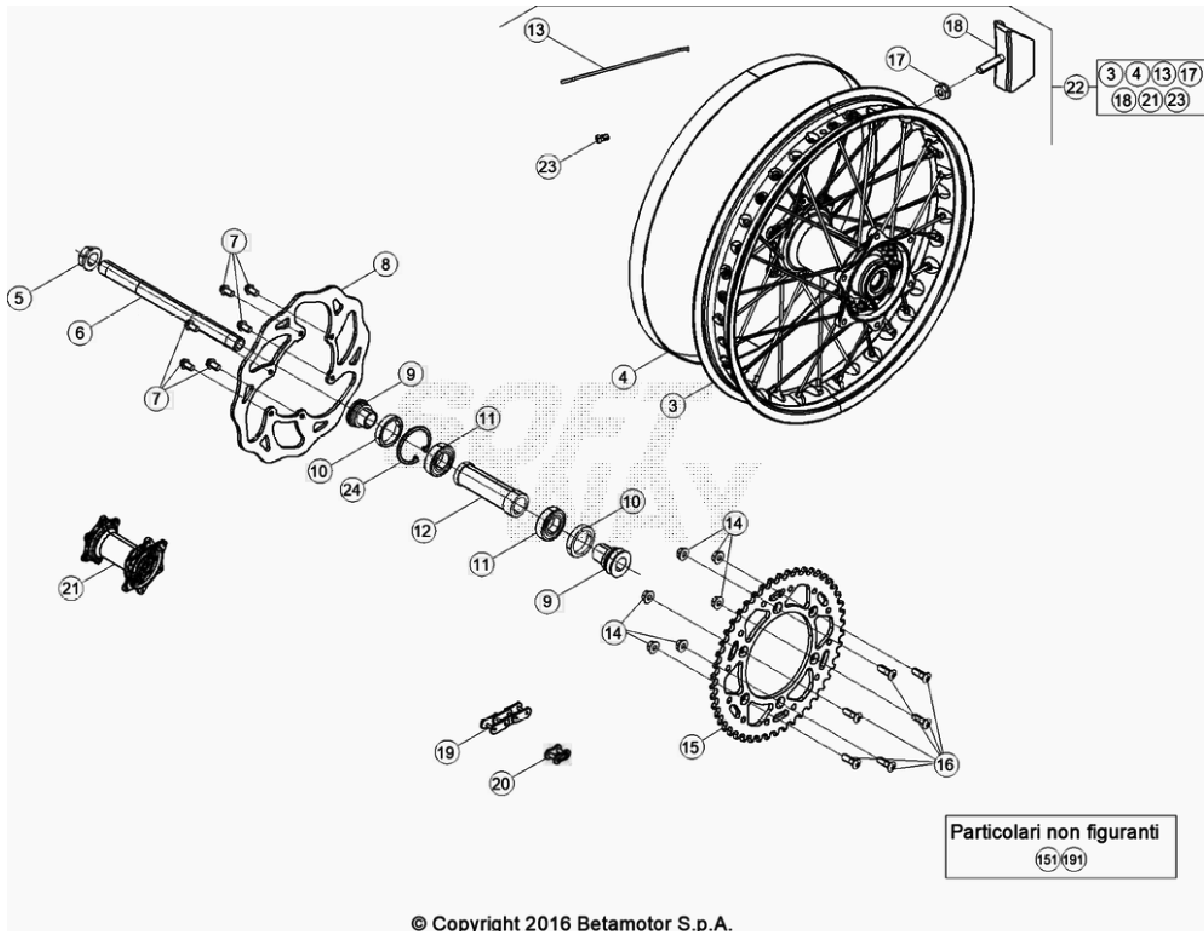
9	040.40.008.82.00	NEW	1
10	006.40.010.80.00	IGNITION COIL RR 4T MY'10	1
11	2.728.101.000	RECTIFIER, ENGINE 250/400/450/525 EXC	1
12	040.40.004.00.00	DIGITAL DASHBOARD RR 2T NEW	1
13	037.40.001.00.00	DASHBOARD BRACKET RR NEW	1
14	007.40.050.00.00	HORN	1
15	031.40.166.00.00	REED SENSOR NEW	1
16	2.713.514.000	SPARK PLUG PROTECTOR CR65-2001	1
17	1.225.220.000	SPARK PLUG BR7ES	1
18	040.40.000.00.00	MAIN WIRING HARNESS RR 2T 200	1
19	026.40.017.00.00	OIL PUMP	1
20	040.40.002.00.00	RELAY WIRING HARNESS RR 2T NEW	1
21	020.40.002.00.00	RR4T MY'10 GROUND WIRING SYSTEM	1
22	037.40.007.00.00	RELAY WIRING HARNESS NEW	1
23	040.40.006.00.00	SECONDARY WIRING HARNESS RR 2T NEW	1
24	037.40.023.00.59	HORN BRACKET BLACK RR NEW	1
25	2.560.311.000	M6 SCREW PLATE	1
26	1.317.121.000	NUT M8, SPECIAL CH.10	1
27	037.40.026.00.00	TIE WRAP NEW	5
28	1.514.268.000	CLAMP	1
29	2.524.443.000	FAIR LEAD, 6/6	4
30	1.514.264.000	WHITE CLAMP	6
31	3.195.510.000	SCREW 6X12 TBCE	1
33	1.146.501.000	BOLT 6.10	2
34	2.525.182.000	CLAMP "NYLPAS016R"	1
35	037.40.030.00.00	NEW	1
36	3.173.000.000	SCREW 4.8	2

37	2.734.800.000	WASHER 4.16	2
38	031.40.013.00.00	RUBBER BUFFER	2
39	1.148.025.000	BOLT 6.16	4
40	020.40.006.00.00	10/32V FUSE	2
41	3.130.190.000	SCREW 6.8	2
42	1.146.251.000	BOLT 5,12	1
43	1.312.550.000	NUT M8.5	5
44	3.123.360.000	SCREW 4.10	1
45	3.126.190.000	SCREW 4.12	3
46	037.43.043.00.00	BATTERY RUBBER BAND NEW	1
47	2.910.317.000	RUBBER, BUMPER RR 4T	2
48	029.07.025.00.00	GUIDING PLATE NEW	1
49	040.40.003.00.00	SECONDARY WIRING HARNESS RR 2T NEW	1
50	1.149.070.000	BOLT 6.20	3
51	026.43.027.00.00	OIL TUBE	1
53	037.40.022.00.00	CAPACITOR NEW	1
54	026.40.057.00.00	DIAGNOSTIC WIRING HARNESS	1
55	031.40.052.00.00	DIODES	1
56	040.40.001.00.00	ECU BRACKET RR-S 2T NEW	1
57	007.40.081.00.00	ECU RUBBER BAND	1



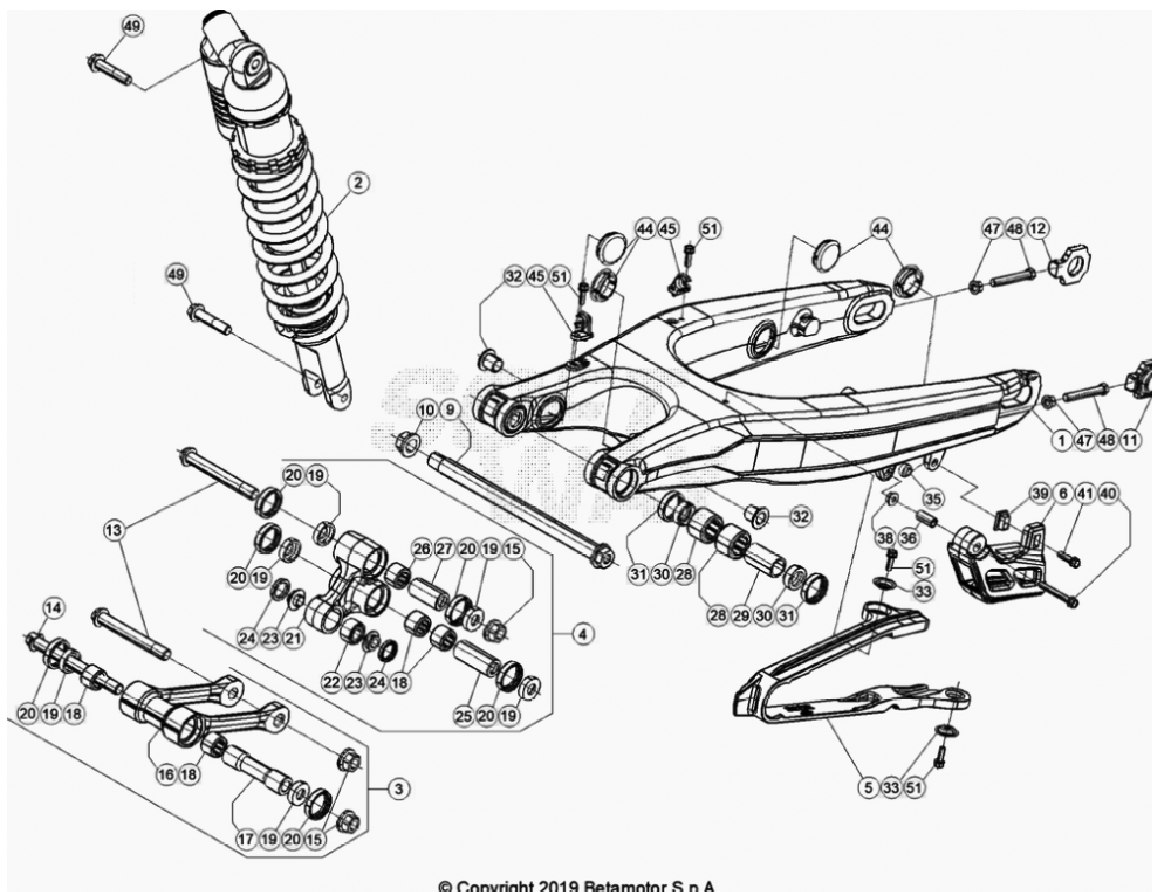
Ref.	Part Number	Description	Parts
1	031.41.046.00.59	RIM	1
2	1.538.200.000	BEAD 21.25	1
5	031.41.030.00.00	FRONT BRAKE DISK, RR 4T	1
6	020.41.007.00.00	PLUG, FRONT WHEEL SPINDLE RR 4T MY'11	1
7	031.41.004.00.00	HUB SPACER, RR 4T	2
8	1.066.000.000	SEAL 35.47.7	2
9	020.41.003.00.00	SEAL 30.47.9	2
10	020.41.005.00.00	FRONT WHEEL SPINDLE, RR 4T MY'11	1

11	031.41.015.00.00	FRONT HUB INNER SPACER, RR 4T	1
12	020.41.110.00.00	PLUG	1
13	020.41.006.00.00	PLUG, FRONT WHEEL SPINDLE RR 4T MY'11	1
14	031.41.016.00.00	DISK SPEC. SCREW M6X14	6
15	2.822.660.000	SEEGER 9E	1
16	021.41.005.00.00	MAGNET	1
17	031.41.050.00.00	NIPPLE	36
18	031.41.049.00.52	SPOKE	36
19	2.758.080.000	WASHER 9 . 13 . 0,4	1
20	036.41.010.00.00	TIRE FASTENER	1
21	1.317.120.000	NUT M8	1
22	026.41.001.00.59	FRONT WHEEL	1
23	031.41.014.80.00	FRONT HUB, RR 4T	1
24	C01.26.001.00.00	CHECK RING 47X1,75	1



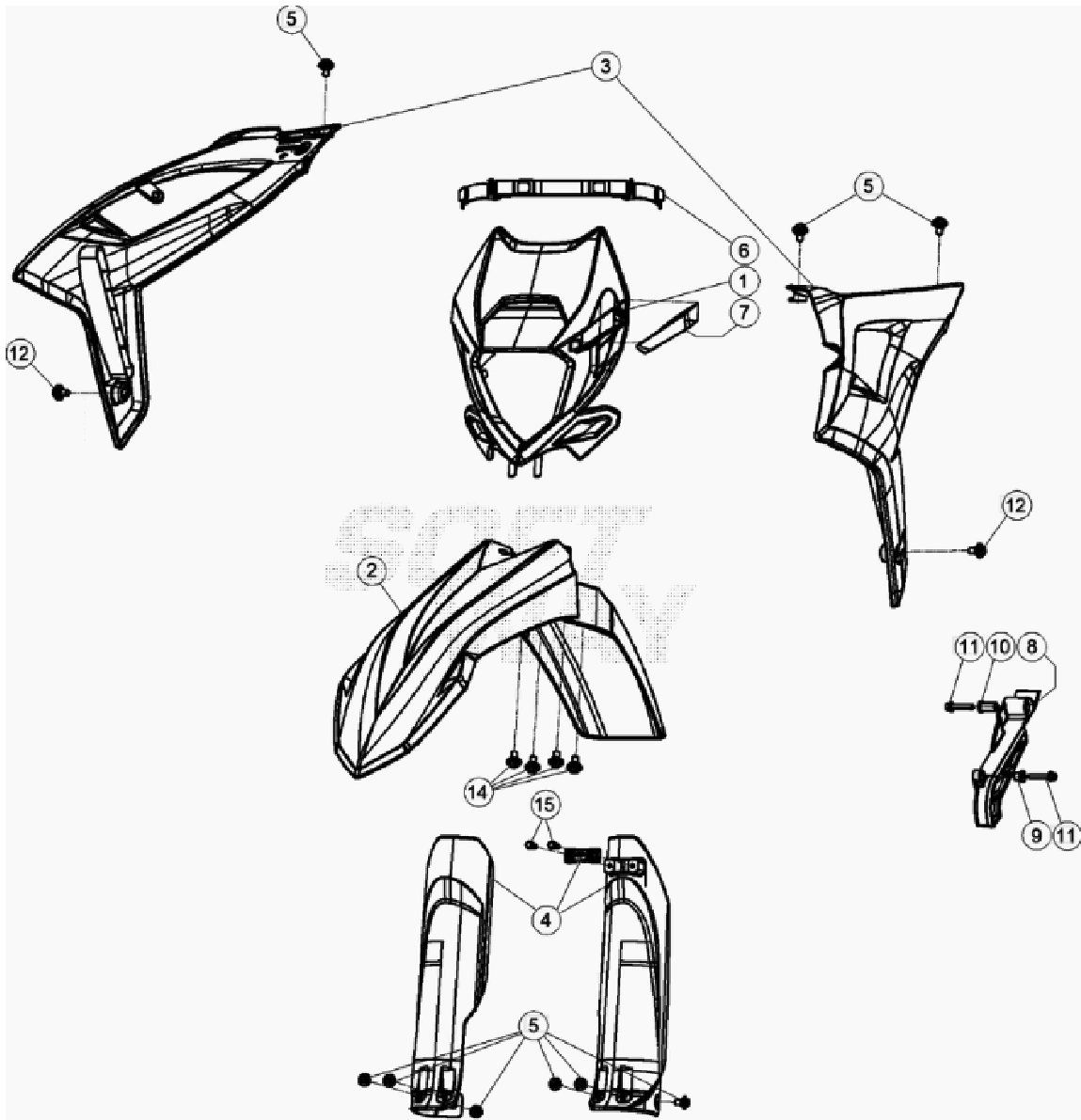
Ref.	Part Number	Description	Parts
3	031.42.034.00.59	RIM	1
4	1.536.000.000	BEAD 17/18.25	1
5	1.327.120.000	SPECIAL NUT	1
6	2.555.812.000	REAR WHEEL SPINDLE, RR 4T	1
7	031.41.016.00.00	DISK SPEC. SCREW M6X14	6
8	031.42.030.00.00	BRAKE DISK, RR 4T	1
9	031.42.002.00.00	LH HUB SPACER, RR 4T	2
10	1.066.000.000	SEAL 35.47.7	2
11	020.42.004.00.00	SEAL 25.47.12	2
12	031.42.005.00.00	INNER SPACER	1
13	031.42.037.00.52	SPOKE	36
14	1.317.123.000	NUT M8, (DIN 6927)	6
15	031.42.038.00.00	REAR SPROCKET, Z.48	1
16	3.196.827.000	SCREW, SPEC. TGS TORXS M8X26	6

17	1.317.120.000	NUT M8	1
18	036.42.009.00.00	TIRE FASTENER	1
19	035.42.002.00.00	CHAIN	1
20	031.42.008.00.00	CHAIN-5/8.1/4 LINK	1
21	031.42.014.80.00	REAR HUB, RR4T	1
22	026.42.008.00.59	REAR WHEEL	1
23	031.42.051.00.00	NIPPLE	36
24	C01.26.001.00.00	CHECK RING 47X1,75	1
151	026.42.013.00.00	REAR SPROCKET, Z.42	1
191	1.208.204.000	CHAIN, 5/8.1/4 P.112	1



Ref.	Part Number	Description	Parts
1	037.33.003.00.59	SWINGARM BLACK RR NEW	1
2	040.33.000.80.00	SHOCK ABSORBER RR 2T NEW	1
3	020.33.030.80.00	CONNECTING ROD ASSY	1
4	020.33.020.80.00	RELAY ARM ASSY	1
5	037.33.006.00.00	CHAIN SLIDING PROTECTION NEW	1
6	037.33.004.00.00	CHAIN GUIDE NEW	1
9	037.33.005.50.00	SWINGARM PIVOT BOLT NEW	1
10	037.33.008.50.00	NUT NEW	1
11	2.911.866.100	LEFT CHAIN TIGHTENER, RR 4T	1
12	2.911.865.100	RIGHT CHAIN TIGHTENER, RR 4T	1
13	1.163.992.000	BOLT 12 . 1,25 . 96	2
14	020.33.032.00.00	SPECIAL SCREW M12 X 1.25 X 124	1

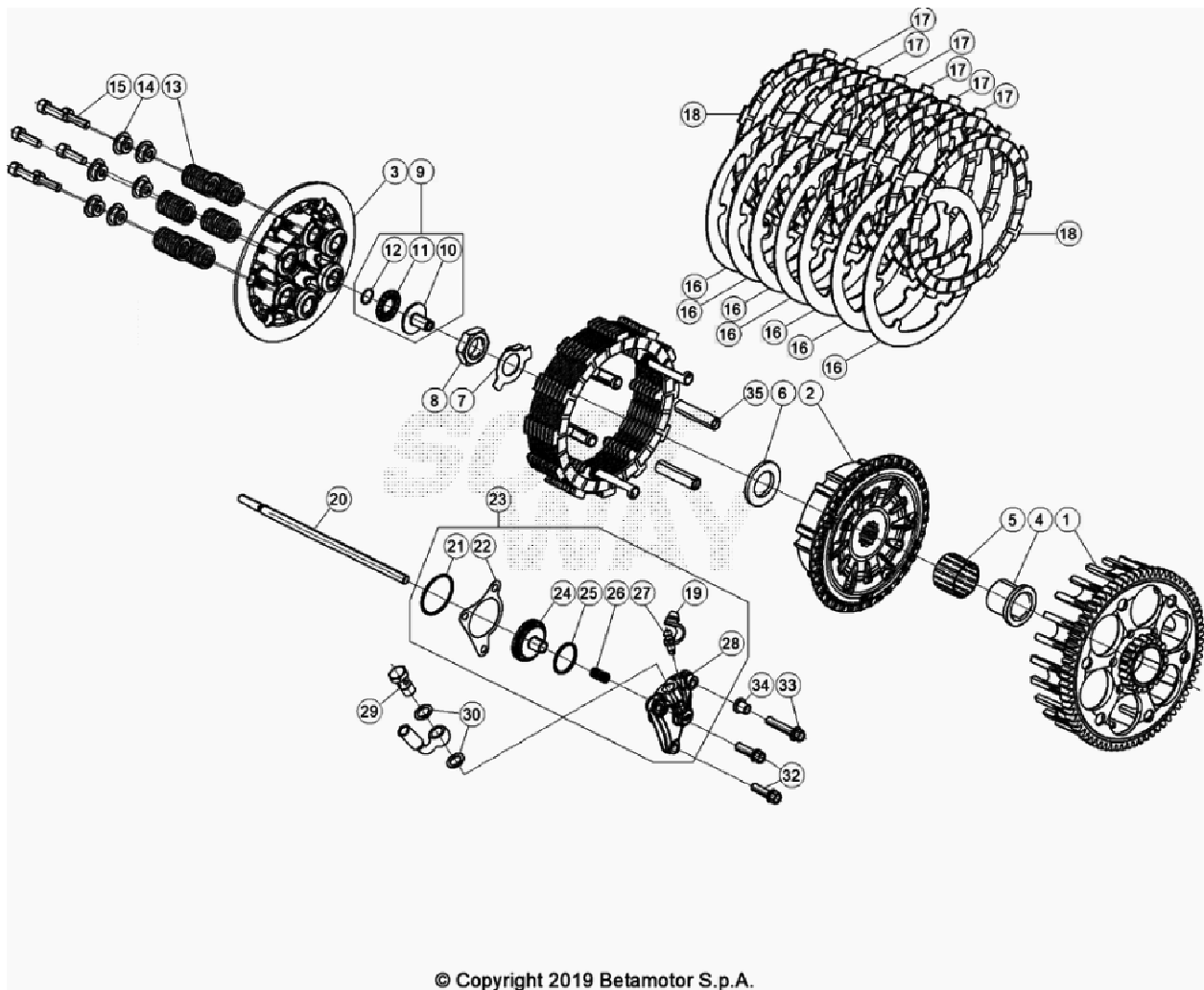
15	1.321.130.000	SELF-BLOCKING NUT 12.1,25	3
16	020.33.030.00.00	CONNECTING ROD	1
17	020.33.031.00.00	SPACER, CONNECTING ROD	1
18	1.122.055.000	SEAL, 20 X 26 X 16 RR 4T	4
19	2.814.083.000	ROCKING LEVER CUP, RR 4T	6
20	1.064.481.000	OIL SEAL, 25X32X7	6
21	020.33.020.00.00	RELAY ARM	1
22	1.617.310.000	SEAL 24.12.13	1
23	1.121.920.000	BUSH	2
24	1.056.020.000	OIL SEAL 16.24.4	2
25	1.362.813.000	SPACER, 12 X 20 X 50	1
26	1.122.061.000	SEAL, 20 X 26 X 30	1
27	1.362.812.000	SPACER, 12 X 20 X 40	1
28	1.122.056.000	SEAL, 22 X 12 V	4
29	1.349.183.000	SPACER, SWINGING ARM VEM	2
30	2.814.081.000	RR4T SWINGING ARM PART	4
31	1.064.481.000	OIL SEAL, 25X32X7	4
32	020.33.001.00.00	SWINGINGARM BUSH, RR 4T MY'10	2
33	2.774.786.000	WASHER	2
35	1.312.610.000	SPECIAL NUT	1
36	1.349.191.000	SPACER	1
38	1.313.020.000	NUT 6, SELF-BLOCKING	1
39	1.348.868.000	SPACER	1
40	1.150.535.000	BOLT 6,45	1
41	1.149.070.000	BOLT 6.20	1
44	2.910.596.136	PLUG, PIVOT PINE SWING ARM (D.30)	4
45	1.514.605.000	CLAMP	2
47	1.317.122.000	NUT M8	2
48	1.155.909.000	BOLT 8.55	2
49	1.162.050.000	BOLT 10.45 1,25(10.9)	2
51	1.146.251.000	BOLT 5,12	4



© Copyright 2019 Betamotor S.p.A.

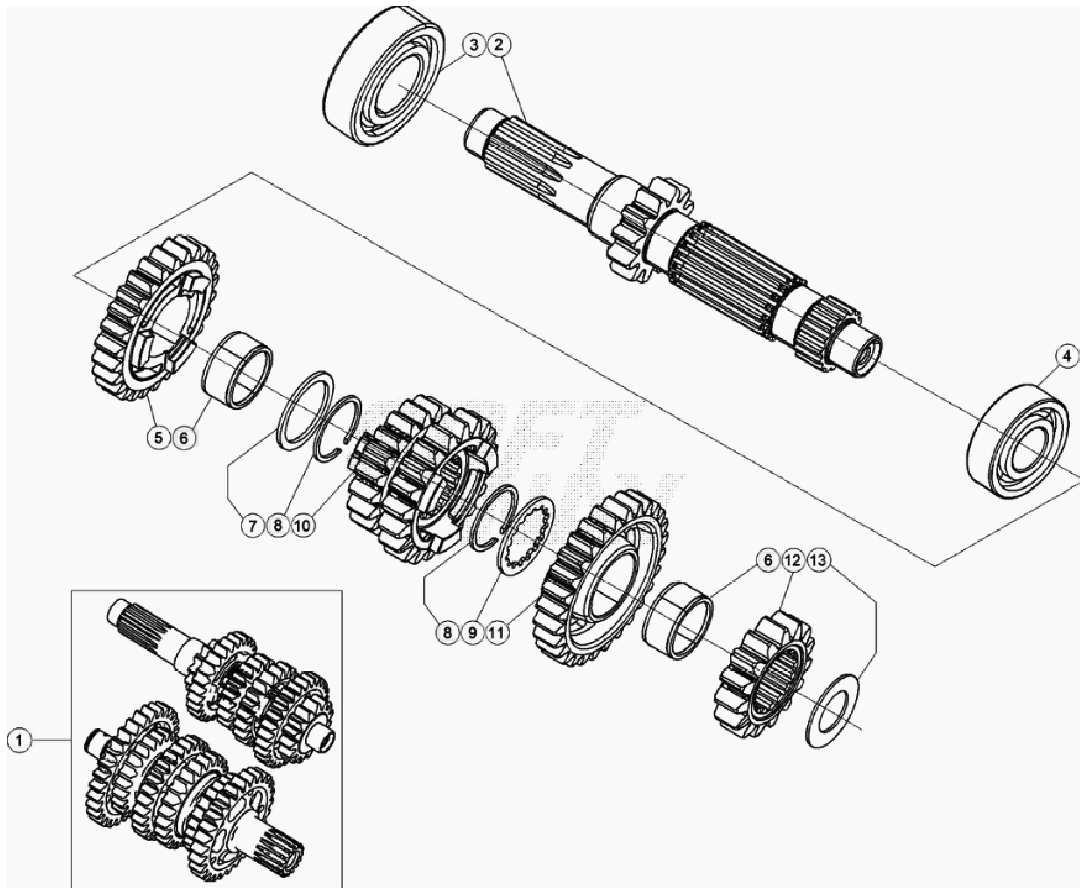
Ref.	Part Number	Description	Parts
1	037.43.008.00.51	HEADLIGHT MASK WHITE RR NEW	1
2	037.43.009.00.51	FRONT FENDER WHITE RR NEW	1
3	037.43.001.00.51	TANK PANEL - PAIR WHITE RR NEW	1
4	026.45.113.82.51	FORK TUBE COVER - KIT WHITE RR	1
5	037.43.028.00.00	SPECIAL BOLT M6x8 NEW	9
6	037.43.020.00.59	HEADLIGHT MASK RUBBER BAND NEW	1

7	037.43.017.00.51	FAIRLEAD WHITE RR NEW	1
8	040.43.005.00.59	PINION GUARD BLACK RR 2T NEW	1
9	1.349.190.000	SPACER	1
10	1.349.189.000	SPACER	1
11	1.150.300.000	BOLT 6.30 RS CH8	2
12	037.43.030.00.00	SPECIAL BOLT M6x16 NEW	2
13	3.123.580.000	PARKER SCREW 4,8.13 NEW	1
14	037.43.029.00.00	SPECIAL BOLT M6x12 NEW	4
15	3.179.960.000	SCREW, 6X15	2



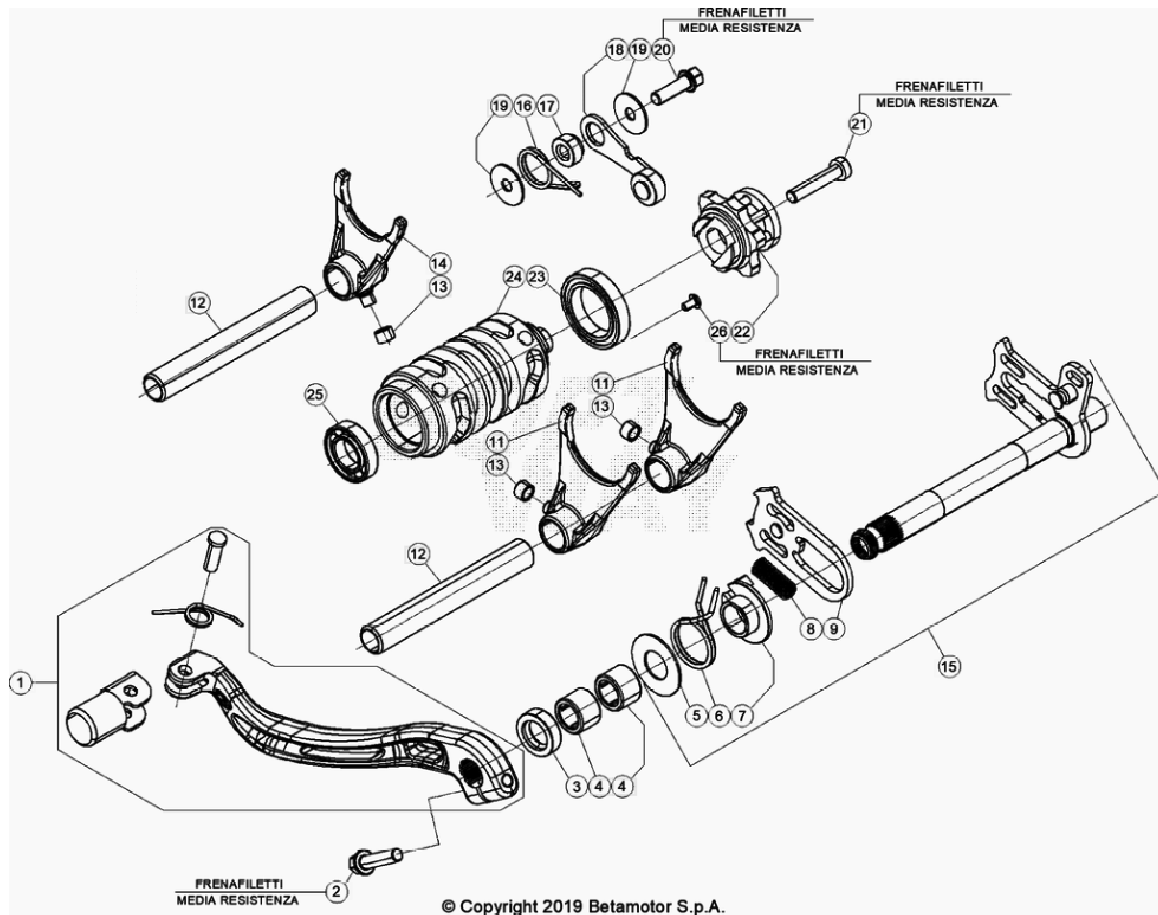
Ref.	Part Number	Description	Parts
1	029.03.011.00.00	CLUTCH GEAR	1
2	029.03.141.00.00	CLUTCH DRUM	1
3	029.03.031.00.00	PRESSURE CAP	1
4	026.03.061.00.00	BUSH	1
5	006.03.063.00.00	SEAL 26.30.22	1
6	006.03.062.00.00	THRUST WASHER 21,7X38X3	1
7	029.03.000.48.00	WASHER	1
8	006.03.065.00.00	S/ARM SPECIAL NUT 18.1,50	1
9	029.03.071.80.00	LIFTER, CLUTCH PUSH ROD ASSY	1
10	029.03.071.00.00	LIFTER, CLUTCH PUSH ROD	1
11	1.611.370.000	BUSH 15.28.2	1
12	2.823.105.000	SEEGER RB14 DIN 7993	1
13	029.03.055.00.00	SPRING	6

14	029.03.056.00.00	SPRING CAP	6
15	3.134.510.000	SCREW 6.20	6
16	029.03.005.00.00	DRIVEN DISK NEW	7
17	029.03.053.00.00	DRIVING PLATE	6
18	029.03.054.00.00	DRIVING PLATE	2
19	1.633.788.000	CAP	1
20	026.03.070.00.00	CLUTCH FL. DIPSTICK	1
21	1.066.840.000	O-RING 33X1,5	1
22	006.03.085.00.00	GASKET CLUTCH SLAVE CYLINDER	1
23	029.03.001.80.00	CLUTCH SLAVE CYLINDER RR	1
24	006.03.281.80.00	CLUTCH SLAVE PISTON RR	1
25	1.066.520.000	OIL SEAL 23,52.1,78	1
26	006.03.083.00.00	SPRING SLAVE CYLINDER	1
27	2.891.050.000	REAR PLIERS BLEED	1
28	029.03.001.00.00	CLUTCH SLAVE CYLINDER RR	1
29	1.165.040.000	SPECIAL BOLT	1
30	1.650.510.000	GASKET 10.15.1 COPPER	2
32	1.149.070.000	BOLT 6.20	2
33	1.150.355.000	BOLT 6.35 RS CH8	1
34	1.349.190.000	SPACER	1
35	029.03.107.00.00	PLATE GUIDE	6



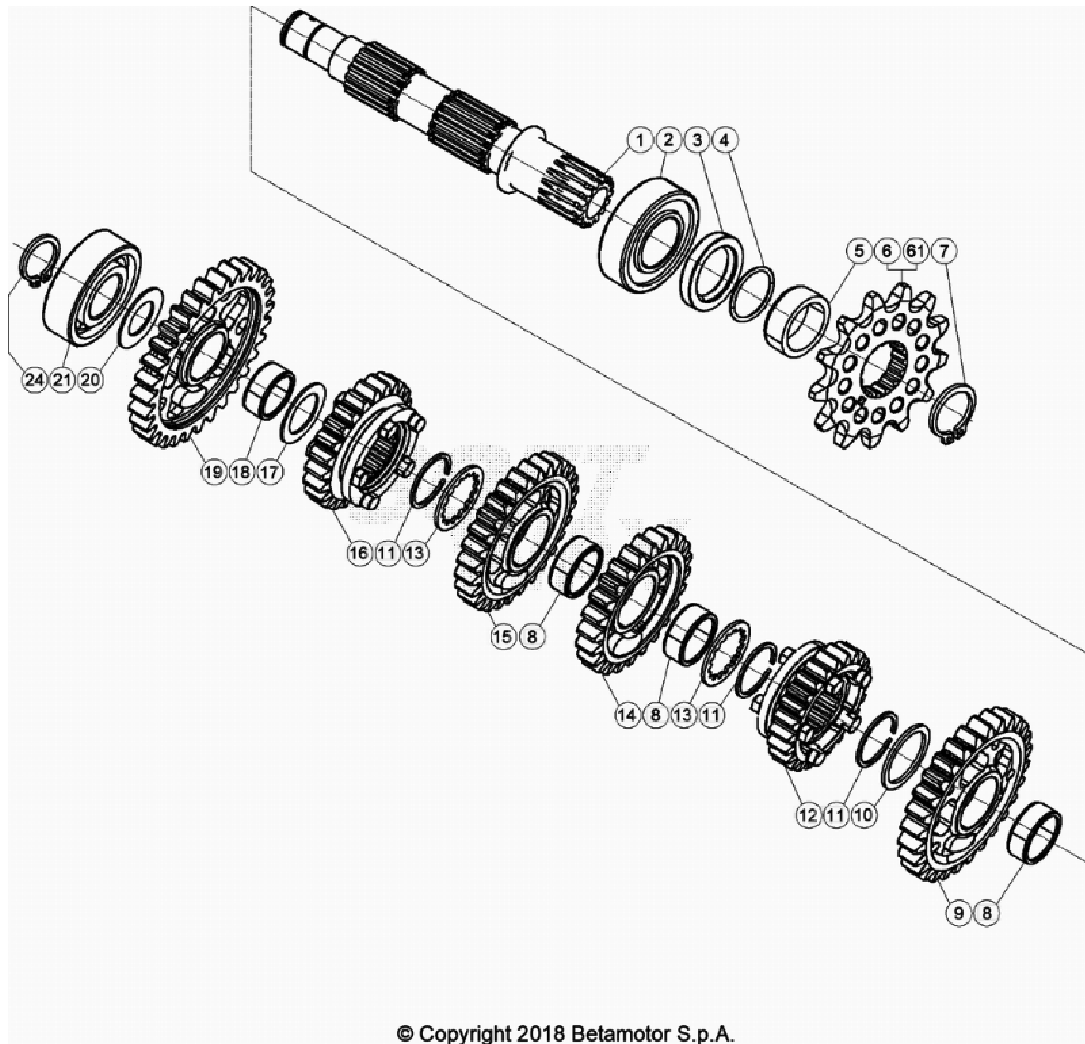
© Copyright 2019 Betamotor S.p.A.

Ref.	Part Number	Description	Parts
1	026.04.000.80.00	GEARBOX ASSY	1
2	026.04.010.00.00	MAINSHAFT WITH BUSH	1
3	1.295.610.000	SEAL (6205) C3	1
4	1.295.605.000	SEAL (6203) JR2 C3	1
5	006.04.015.00.00	5°GEAR MAINSHAFT	1
6	1.122.855.000	NEEDLE BEARING K 22.26.13 TN (SPLITTED)	2
7	006.04.031.00.00	THRUST WASHER 26.32.1,5	1
8	2.825.520.000	SEEGER 25 SW	2
9	006.04.030.00.00	THRUST WASHER 23.32.1,5	1
10	006.04.013.00.00	3/4°GEAR MAINSHAFT	1
11	006.04.016.00.00	6°GEAR MAINSHAFT	1
12	006.04.012.00.00	2°GEAR MAINSHAFT	1
13	006.04.032.00.00	THRUST WASHER 17.30.1	1



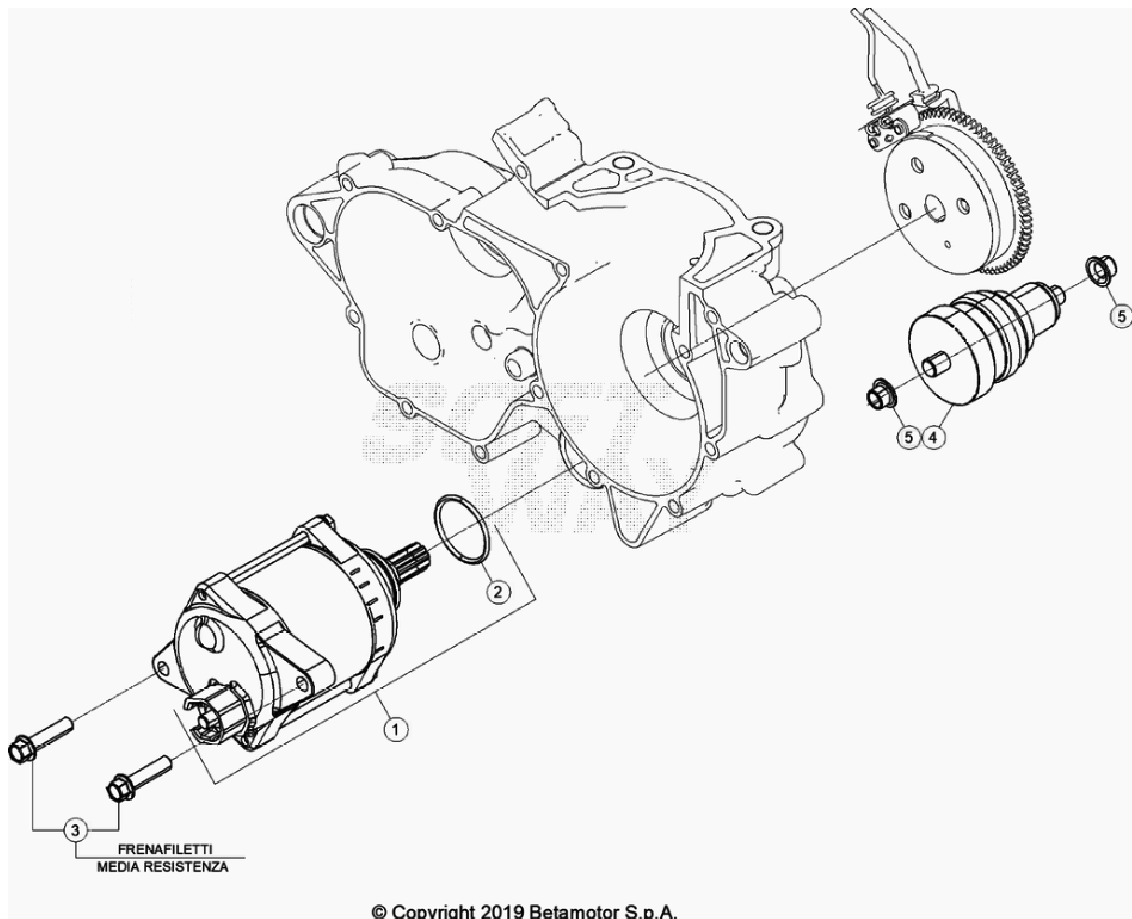
Ref.	Part Number	Description	Parts
1	006.05.000.80.00	GEAR CHANGE LEVER CPL	1
2	1.150.010.000	BOLT 6.25	1
3	1.052.012.000	OIL SEAL 14.24.6 B1SL	1
4	1.122.320.000	NEEDLE BEARING HK1414RS	2
5	2.763.020.000	WASHER 14.30.1	1
6	006.05.017.00.00	GEAR BOX RETURN SPRING	1
7	1.692.911.000	SPRING GUIDE	1
8	006.05.016.00.00	SPRING BOLT 0,8MM	1
9	006.05.014.80.00	MOVEABLE PLATE ASSY (WITH BOLT)	1
11	006.05.020.00.00	FORK 1/4 GEAR	2
12	026.05.025.00.00	SPINDLE (FORKS)	2
13	006.05.027.00.00	BUSHING 6.8.5,2	3
14	006.05.021.00.00	FORK 5/6 GEAR	1
15	026.05.010.80.00	SHIFT SHAFT CPL.	1
16	2.239.591.000	LEVER SPRING	1

17	029.05.054.00.00	SPACER (DETENT LEVER)	1
18	026.05.050.80.00	LEVER	1
19	2.742.000.100	WASHER 6.20.1,0	2
20	1.149.070.000	BOLT 6.20	1
21	3.145.000.000	SCREW 6.30	1
22	029.05.001.80.00	DETENT CAM ALU ASSY	1
23	1.293.405.000	SEAL 61805-2RS1	1
24	026.05.030.00.00	GEAR CAM	1
25	1.293.840.000	BALL BEARING 15.28.7	1
26	3.130.084.000	COUNTERSUNK SCREW M5X8 "TORX 25"	1

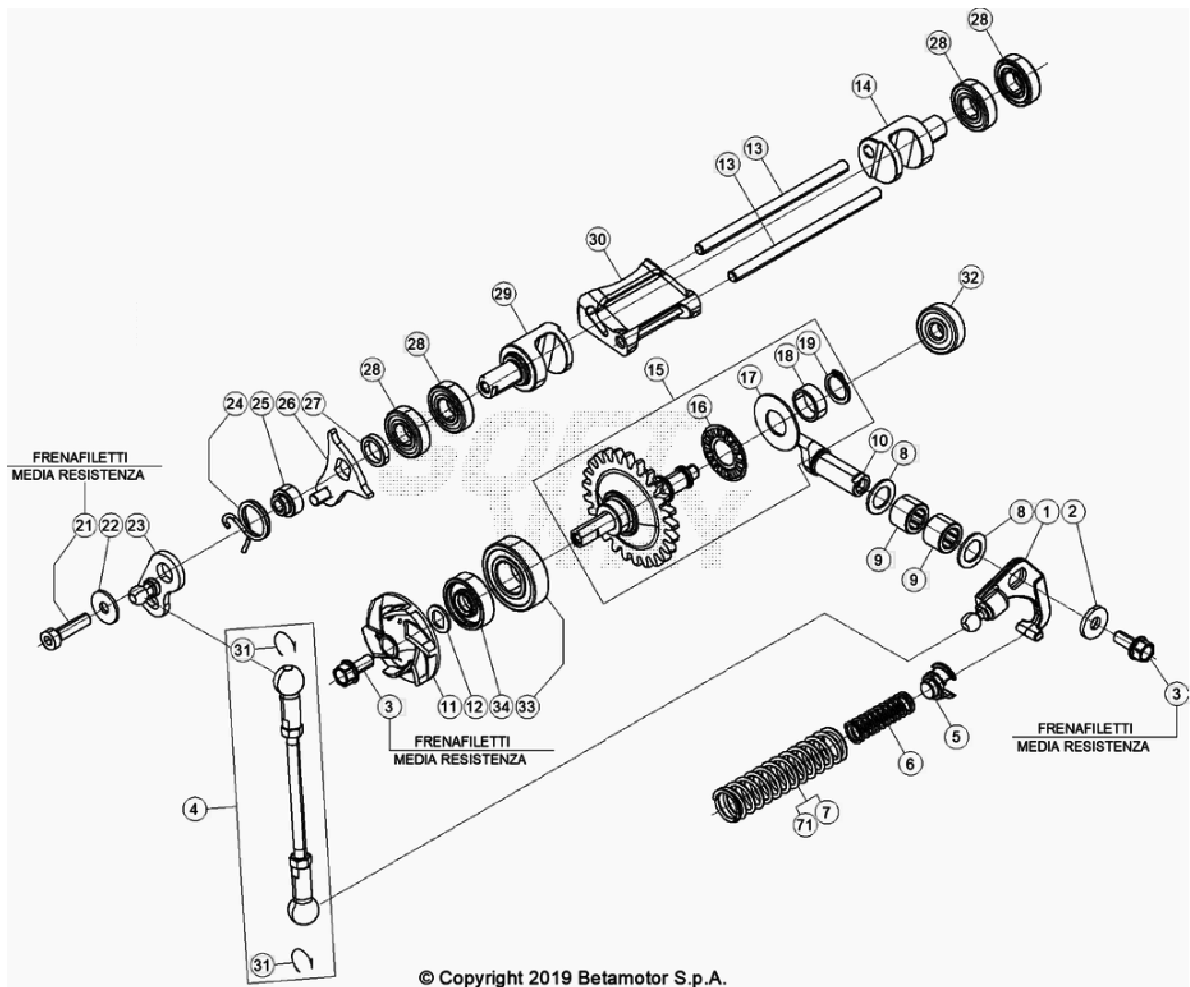


Ref.	Part Number	Description	Parts
1	026.04.020.00.00	COUNTERSHAFT	1
2	1.299.710.000	SEAL NJ205	1
3	1.066.020.000	OIL SEAL 32.45.7 BSL	1
4	1.066.540.000	O-RING 24.2 NBR70	1
5	006.04.040.00.00	DISTANCE BUSH	1
6	006.04.051.00.00	SPROCKET 14-Z	1
7	2.825.530.000	SEEGER AS 25X2 DIN 471	1
8	1.122.845.000	NEEDLE BEARING K 20.24.10 (SPLITTED)	3
9	006.04.022.00.00	2° GEAR COUNTERSHAFT	1
10	006.04.031.00.00	THRUST WASHER 26.32.1,5	1
11	2.825.520.000	SEEGER 25 SW	3
12	006.04.026.00.00	6° GEAR COUNTERSHAFT	1

13	006.04.030.00.00	THRUST WASHER 23.32.1,5	2
14	006.04.024.00.00	4°GEAR COUNTERSHAFT	1
15	006.04.023.00.00	3°GEAR COUNTERSHAFT	1
16	006.04.025.00.00	5°GEAR COUNTERSHAFT	1
17	006.04.033.00.00	THRUST WASHER 20.30.1	1
18	1.122.835.000	NEEDLE BEARING K 20.24.10	1
19	006.04.021.00.00	1°GEAR COUNTERSHAFT	1
20	006.04.032.00.00	THRUST WASHER 17.30.1	1
21	1.295.605.000	SEAL (6203) JR2 C3	1
24	C01.23.001.00.00	CHECK RING 17X1	1
61	006.04.052.00.00	SPROCKET 15-Z	1

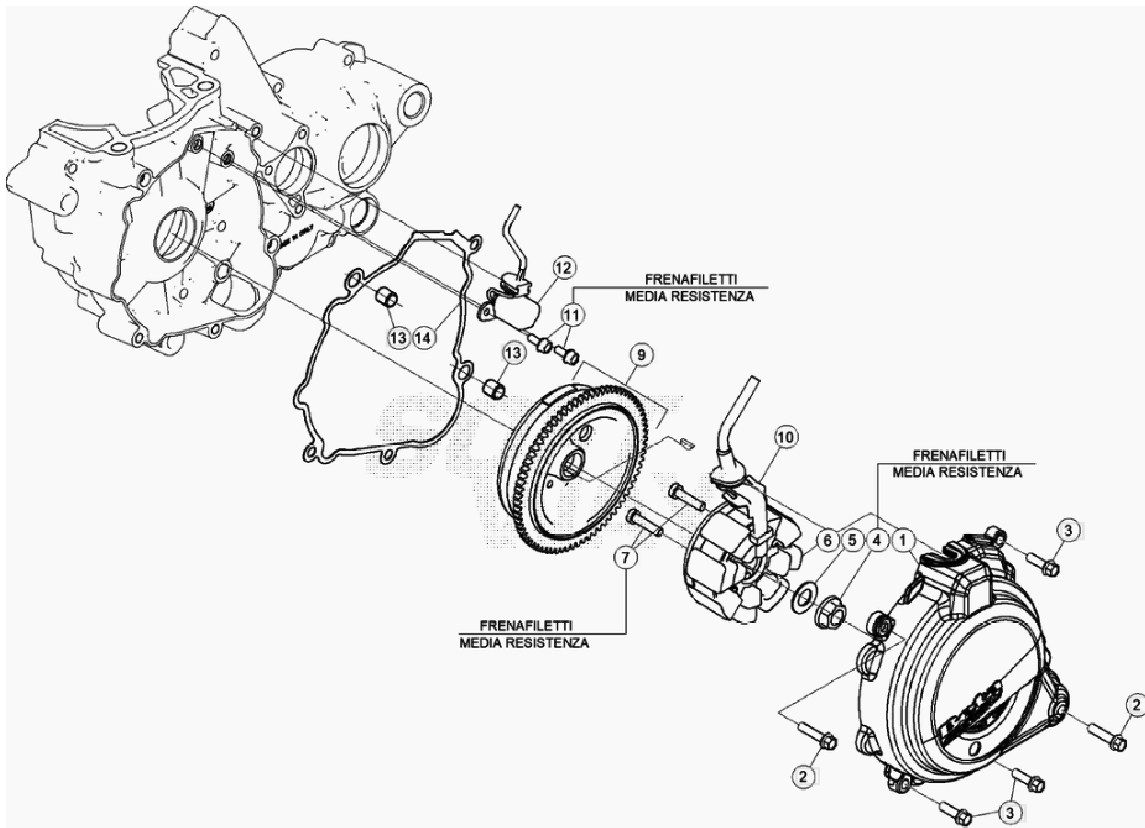


Ref.	Part Number	Description	Parts
1	026.07.000.80.00	E-STARTER	1
2	3.625.056.000	O RING 25,00X3,00 NBR70	1
3	1.150.010.000	BOLT 6.25	2
4	026.07.010.00.00	CONTACT TAG, BENDIX	1
5	C03.02.001.00.00	BUSH 8X10X8	2



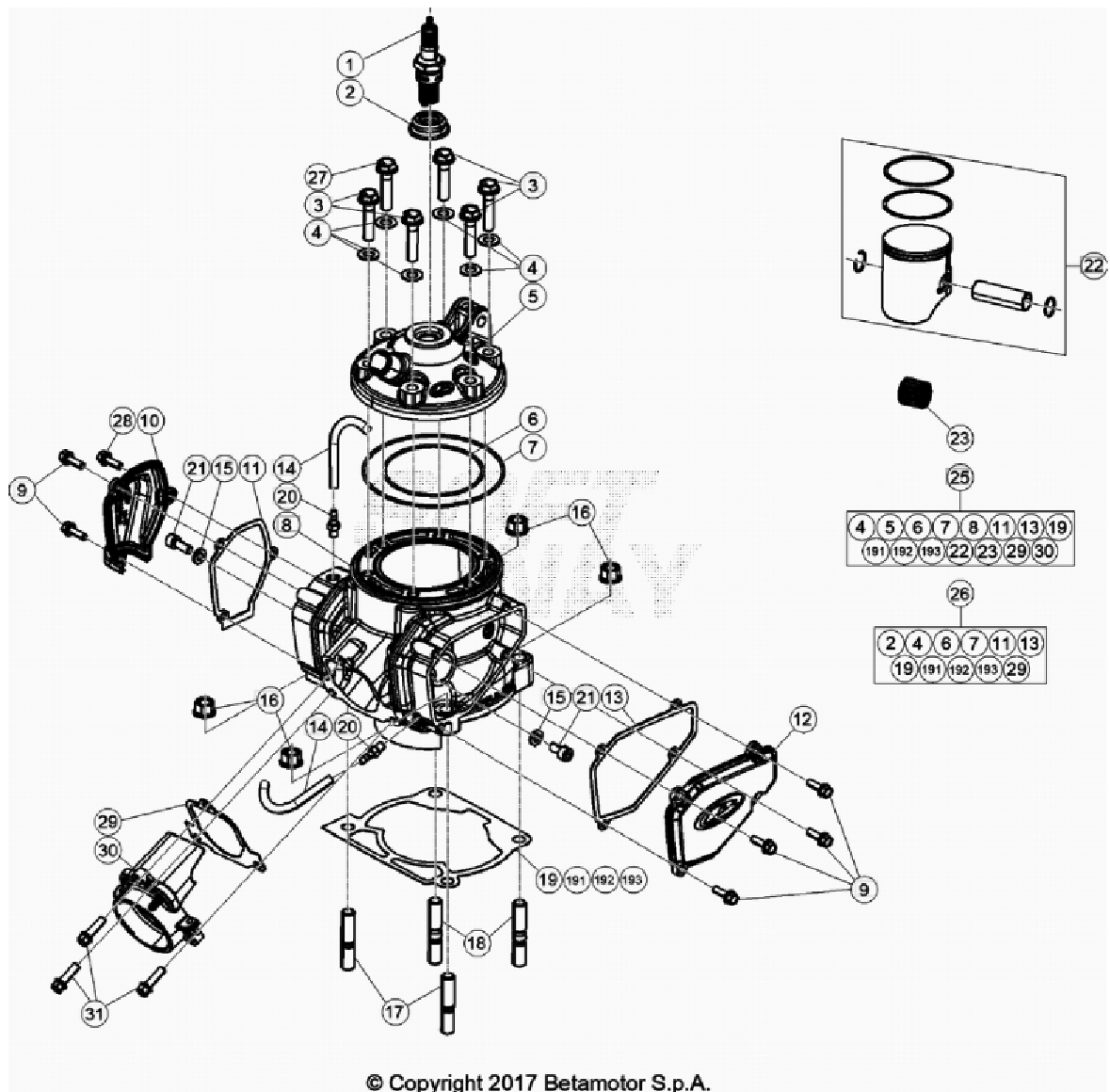
Ref.	Part Number	Description	Parts
1	026.09.013.80.00	ROCKER ARM ASSY	1
2	C16.02.001.00.00	WASHER 5.15.2 DIN 7349	1
3	1.146.251.000	BOLT 5,12	2
4	026.09.015.80.00	VALVE CONTROL ROD	1
5	026.09.017.00.00	SPRING GUIDE	1
6	026.09.018.00.00	SPRING	1
7	026.09.022.00.00	ADJUSTING SPRING	1
8	C19.04.001.00.00	SHIM WASHER, 10.16.1 DIN 988	2
9	1.122.100.000	BUSH 10.14.10	2
10	026.09.011.00.00	CONTROL LEVER	1
11	006.09.000.00.00	IMPELLER WATER PUMP	1
12	006.09.012.00.00	WASHER WATER PUMP	1
13	026.09.031.00.00	EXHAUST VALVE PIN	2

14	026.09.040.00.00	BOOSTER VALVE, LEFT	1
15	026.09.005.80.00	CENTRIFUGAL UNIT	1
16	1.611.512.000	AXIAL NEEDLE BEARING 12.26	1
17	2.756.400.000	WASHER AS1226	1
18	026.09.003.00.00	SPACER	1
19	2.822.760.000	SEEGER A12 DIN 471	1
21	3.130.015.000	SCREW 5.20	1
22	2.736.500.000	WASHER 5.15	1
23	026.09.042.85.00	OPERATING LEVER	1
24	026.09.046.00.00	SPRING	1
25	026.09.044.00.00	SPACER	1
26	026.09.043.85.00	TRAVEL LIMIT LEVER	1
27	026.09.047.00.00	SPACER	1
28	1.293.410.000	BALL BUSHING 10.22.6. 2RS1	4
29	026.09.041.00.00	BOOSTER VALVE, RIGHT	1
30	026.09.049.00.00	EXHAUST VALVE	1
31	C21.31.001.00.00	LOCKING SPRING	2
32	1.293.387.000	BALL BEARING 6.19.6	1
33	C06.01.001.00.00	SEAL 15X32X9	1
34	1.043.720.000	OIL SEAL	1
71	026.09.019.00.00	ADJUSTING SPRING 300CC	1



© Copyright 2019 Betamotor S.p.A.

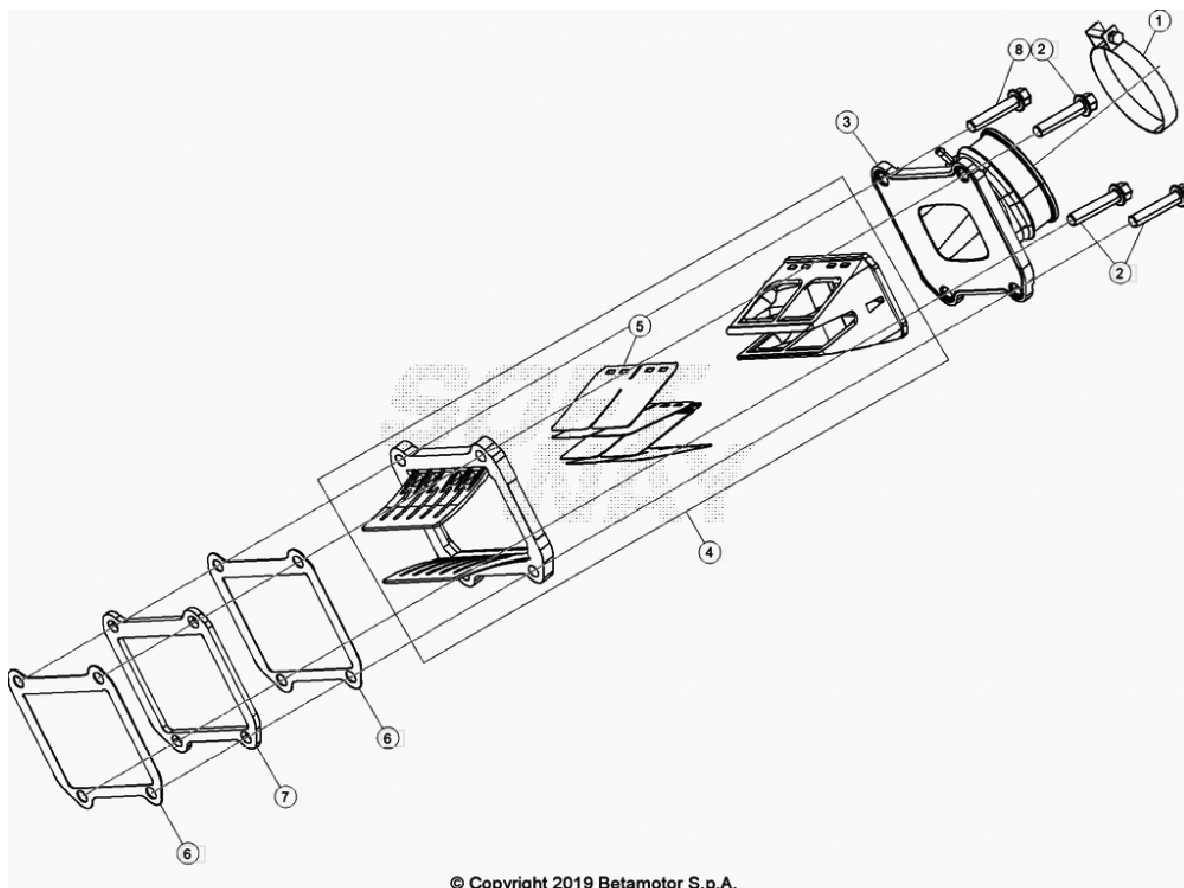
Ref.	Part Number	Description	Parts
1	026.01.051.80.52	FLYWHEEL COVER - COMPLETE RR2T	1
2	1.150.010.000	BOLT 6.25	2
3	1.149.070.000	BOLT 6.20	3
4	1.325.010.000	NUT	1
5	2.774.810.000	SPRING WASHER DIN137 B12 FST	1
6	006.10.020.00.00	STATOR, FLYWHEEL	1
7	3.148.507.000	SCREW 6.25	2
9	026.10.001.85.00	FLYWHEEL ROTOR	1
10	006.01.054.00.00	CABLE RETAINING PLATE	1
11	1.146.251.000	BOLT 5,12	2
12	026.10.003.00.00	PICK UP	1
13	1.636.500.000	DOWEL 9.10	2
14	026.01.053.00.00	GASKET, IGNITION COVER	1



© Copyright 2017 Betamotor S.p.A.

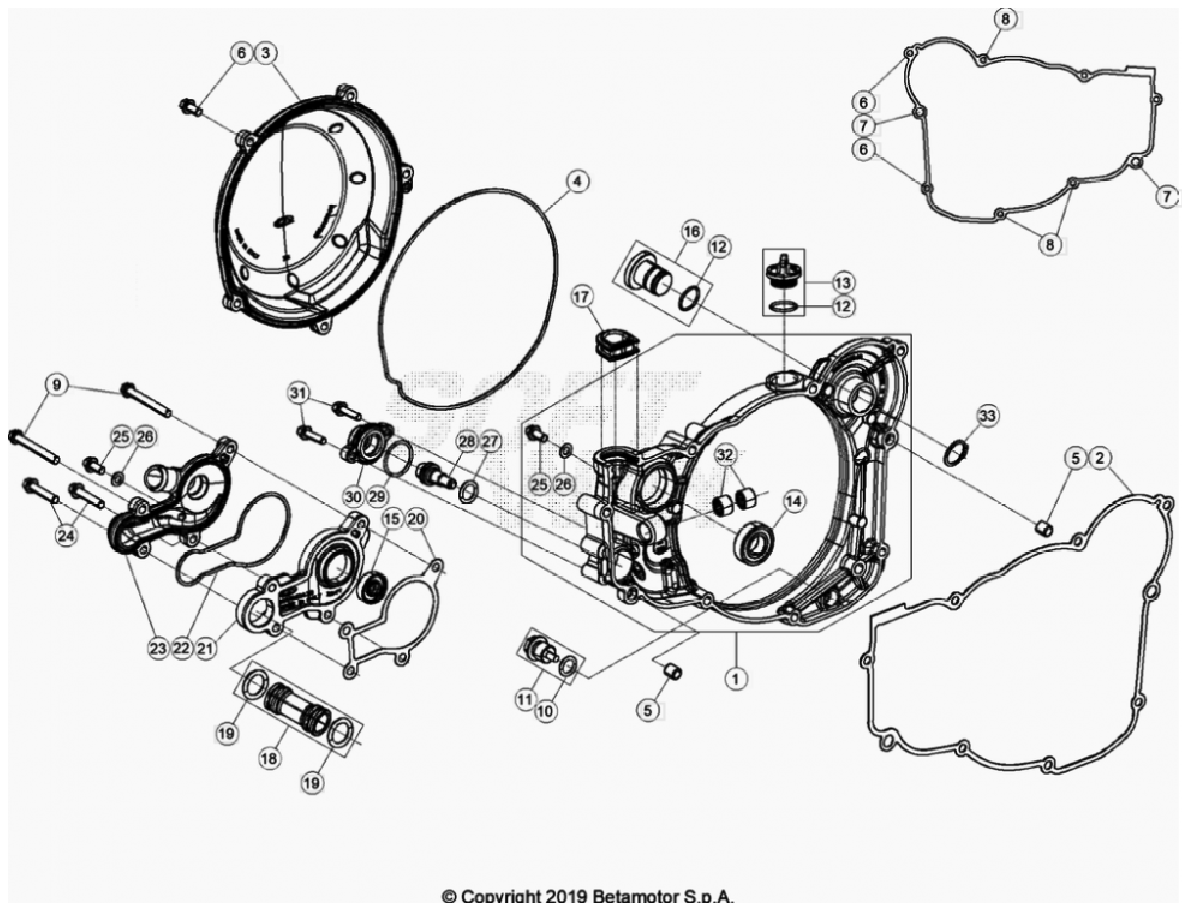
Ref.	Part Number	Description	Parts
1	1.225.220.000	SPARK PLUG BR7ES	1
2	026.10.012.00.00	SPARK PLUG GASKET	1
3	026.11.011.00.00	FLANGE BOLT M8X35	5
4	026.11.010.00.00	WASHER 8.16.1	6
5	026.11.018.80.52	ENGINE HEAD BLACK RR 2T 300	1
6	1.066.973.000	OIL SEAL 78.2 VITON	1
7	1.066.978.000	OIL SEAL 105.2 VITON	1
8	026.11.030.00.0A	CYLINDER 300CC -A-	1
9	1.146.360.000	BOLT 5,16	6
10	026.11.002.20.00	RIGHT VALVE HEAD COVER	1
11	026.11.003.00.00	RIGHT VALVE COVER GASKET	1

12	026.11.004.00.52	LEFT VALVE HEAD COVER	1
13	026.11.005.00.00	LEFT VALVE COVER GASKET	1
14	026.11.012.00.00	TUBE	2
15	2.740.500.000	WASHER 6.12.1,6 DIN 125	2
16	1.320.210.000	NUT, 10.1,25	4
17	C24.76.001.00.00	STUD M10X30X1,25	2
18	C24.76.002.00.00	STUD M10X35X1,25	2
19	026.11.025.00.00	CYLINDER BASE GASKET 0,30MM	1
20	2.900.280.000	COUPLING	2
21	3.131.050.000	SCREW 6.15	2
22	026.02.033.80.0A	PISTON CPL. 300CC D=72,0MM -A-	1
23	1.616.710.000	NEEDLE BUSHING 18.22.20	1
25	026.11.042.82.0A	CYLINDER D72 - A - KIT RR 2T 300	1
26	026.11.040.82.00	GASKETS KIT RR 2T	1
27	026.11.037.00.00	SECURITY SCREW	1
28	026.11.036.00.00	SECURITY SCREW	1
29	026.11.038.00.00	FLANGE GASKET	1
30	026.11.032.00.00	FLANGE EXHAUST	1
31	1.149.070.000	BOLT 6.20	3
191	026.11.026.00.00	CYLINDER BASE GASKET 0,40MM	1
192	026.11.027.00.00	CYLINDER BASE GASKET 0,50MM	1
193	026.11.028.00.00	CYLINDER BASE GASKET 0,60MM	1



© Copyright 2019 Betamotor S.p.A.

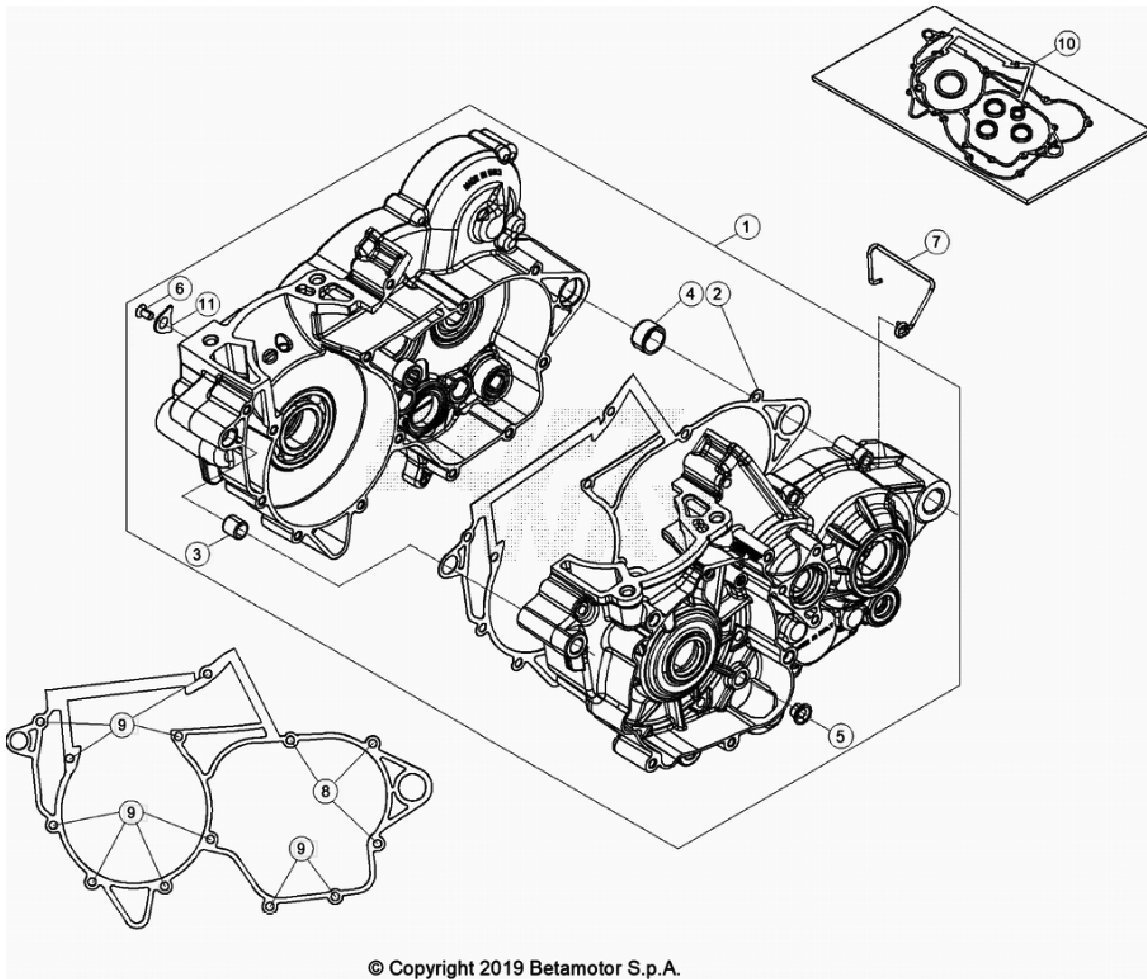
Ref.	Part Number	Description	Parts
1	1.514.275.000	CLAMP, 52/12	1
2	1.150.300.000	BOLT 6.30 RS CH8 NEW	3
3	036.01.005.80.00	CARBURATOR MANIFOLD INSERT ASSY	1
4	026.01.007.80.00	REED VALVE	1
5	026.01.009.00.00	PLATE KIT	1
6	026.01.010.00.00	VALVE GASKET	2
7	026.01.008.42.52	REED VALVE SPACER NEW	1
8	026.11.034.00.00	SECURITY SCREW NEW	1



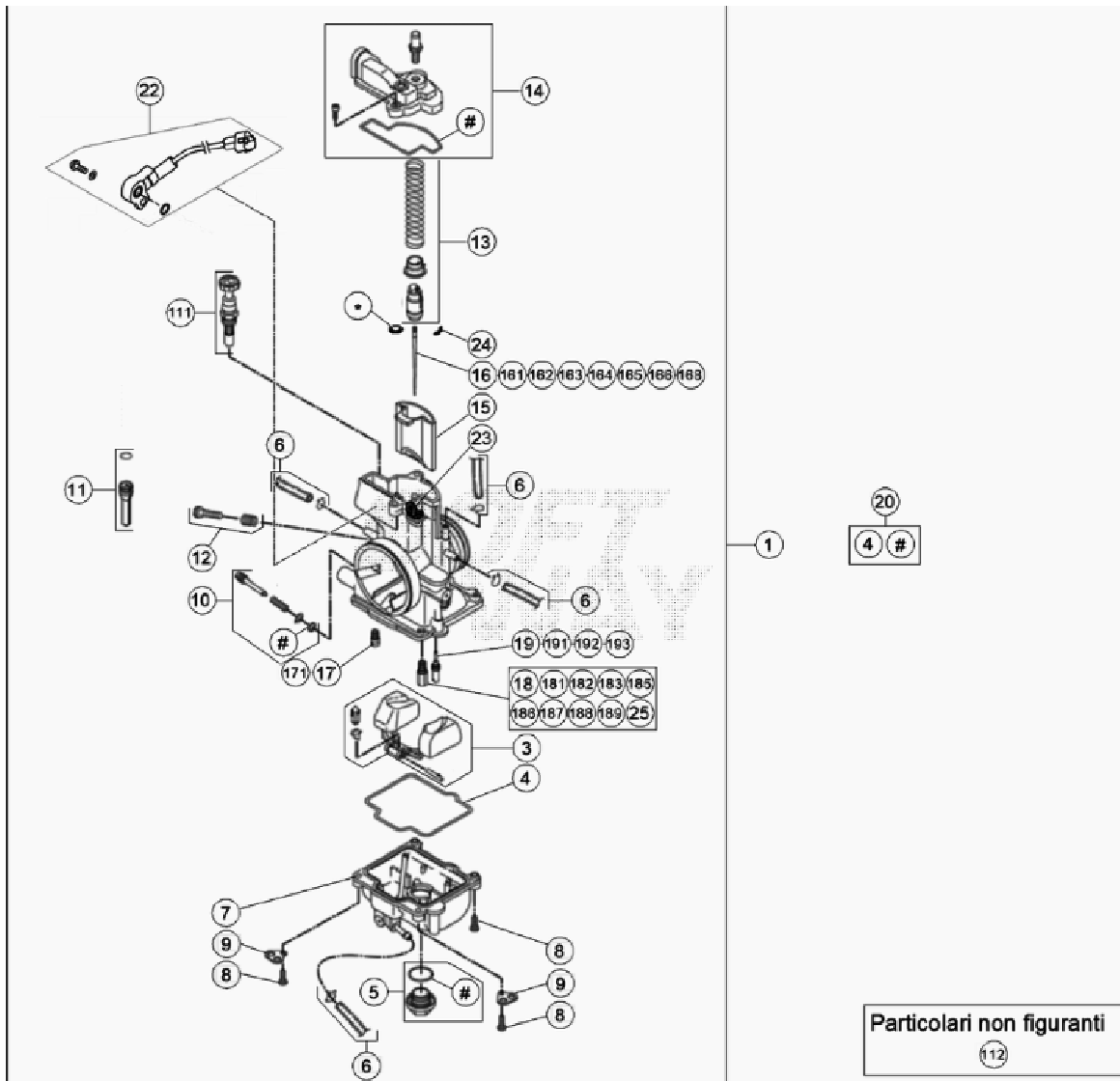
© Copyright 2019 Betamotor S.p.A.

Ref.	Part Number	Description	Parts
1	026.01.020.80.52	INNER CLUTCH COVER ASSY	1
2	026.01.005.00.00	GASKET CLUTCH COVER INNER	1
3	026.01.018.80.52	EXTERNAL CLUTCH COVER	1
4	026.01.041.00.00	OUTER CLUTCH COVER GASKET (SPECIAL OR)	1
5	1.636.500.000	DOWEL 9.10	2
6	1.149.070.000	BOLT 6.20	4
7	1.150.300.000	BOLT 6.30 RS CH8	2
8	1.105.535.000	BOLT 6.50 RS CH8	3
9	1.105.485.000	BOLT 6.60	2
10	1.066.164.000	O-RING, 11.2 NBR 70SH	1
11	006.08.152.80.00	SCREW	1
12	1.066.321.000	OIL SEAL	2
13	026.01.019.80.59	OIL FILLING CAP	1
14	C06.01.001.00.00	SEAL 15X32X9	1
15	1.043.720.000	OIL SEAL	1

16	036.01.006.80.59	PLUG ASSY	1
17	026.01.031.80.00	SEALING EXHAUST VALVE COVER	1
18	026.01.037.80.00	WATER PIPE, COMPLETE	1
19	C02.06.052.00.00	OIL SEAL 17,96.2,62	2
20	026.01.036.00.00	GASKET, WATERPUMP BODY	1
21	026.01.034.00.00	WATERPUMP BODY	1
22	026.01.035.00.00	GASKET, WATER PUMP	1
23	026.01.033.00.00	WATER PUMP COVER	1
24	1.150.300.000	BOLT 6.30 RS CH8	2
25	1.147.015.000	BOLT 6.12 RS CH8	2
26	2.740.495.000	WASHER 6.11.0,8	2
27	1.066.296.000	O-RING 12,37,2,62 NBR70	1
28	026.09.023.42.00	ADJUSTING SPRING GUIDE	1
29	1.066.540.000	O-RING 24.2 NBR70	1
30	026.09.025.00.00	COVER	1
31	1.146.401.000	BOLT 5.20 RS CH8	2
32	1.122.100.000	BUSH 10.14.10	2
33	3.300.070.000	SEEGER D.19	1



Ref.	Part Number	Description	Parts
1	026.01.044.80.00	ENGINE CASE RR 2T NEW	1
2	026.01.003.00.00	CRANKCASE GASKET	1
3	1.641.500.000	DOWEL 10,5.13.13	1
4	006.01.012.00.00	BUSH (BACK) 17.21.12	1
5	C03.02.001.00.00	BUSH 8X10X8	1
6	C24.90.002.00.00	TORX SCREW M6X12 - 10.9/12.9 NEW	1
7	006.01.023.00.00	FAIR LEAD BREATHING TUBE MEM	1
8	1.150.360.000	BOLT 6.40 RS CH8	3
9	1.105.535.000	BOLT 6.50 RS CH8	10
10	036.01.010.82.00	PACKINGS KIT	1
11	006.01.016.00.00	RETAINIG PLATE MAINBEARING NEW	1



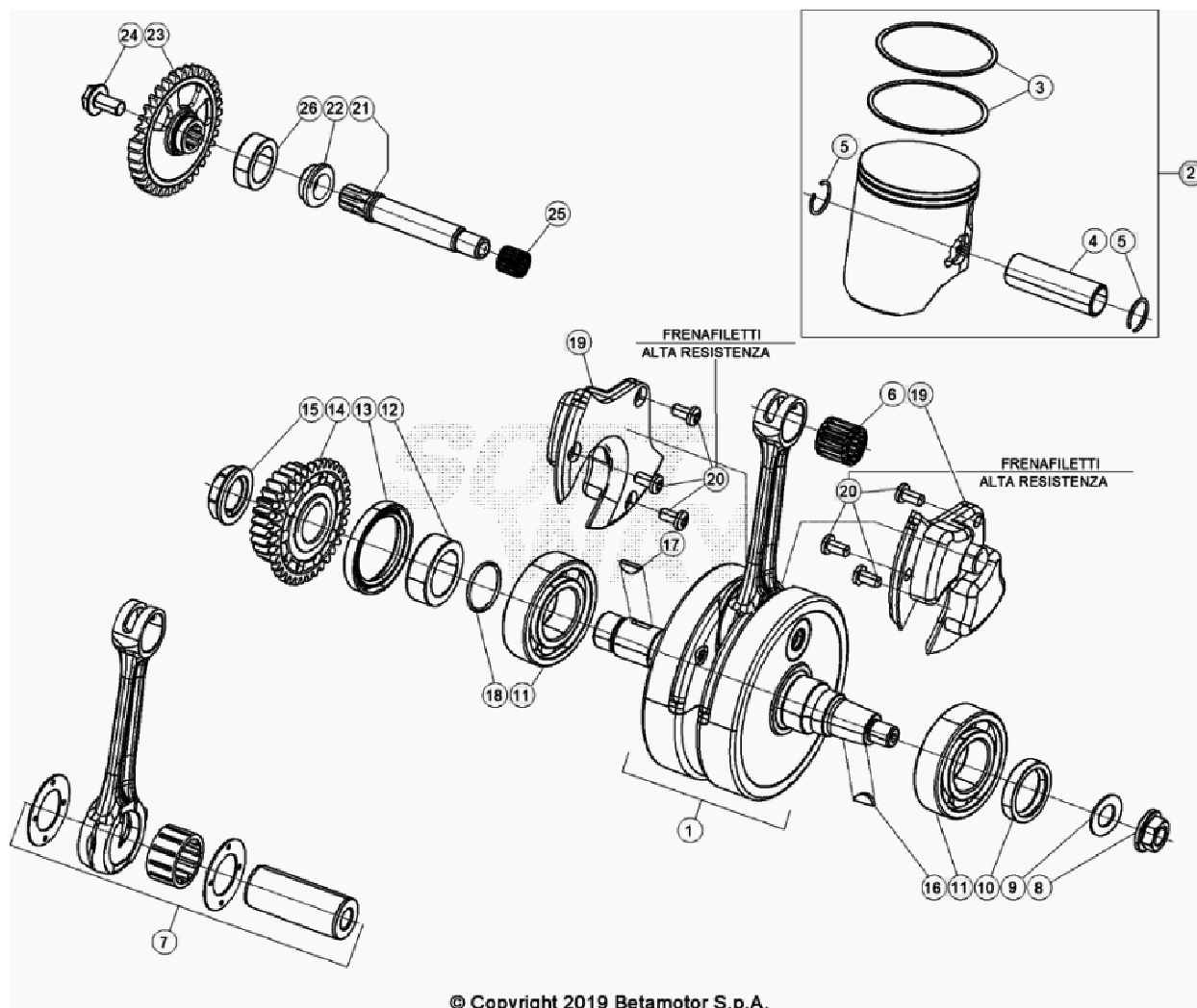
© Copyright 2019 Betamotor S.p.A.

Ref.	Part Number	Description	Parts
1	026.12.059.82.00	CARBURETOR	1
3	026.12.009.80.00	FLOAT ASSY	1
4	026.12.011.00.00	FLOAT CHAMBER GASKET	1
5	026.12.106.80.00	CAP DRAIN ASSY	1
6	026.12.045.00.00	KIT, TUBE	1
7	026.12.107.00.00	CHAMBER ASSY	1
8	026.12.016.00.00	SCREW M4X16	3
9	026.12.024.00.00	PLATE	2
10	026.12.028.80.00	ADJUSTING SCREW ASSY	1
11	026.12.006.80.00	SLIDE STOP ASSY	1

Particolari non figuranti
112

12	026.12.032.80.00	ADJUSTING SCREW M5 ASSY	1
13	026.12.037.80.00	SPRING ASSY	1
14	026.12.060.00.00	CARBURETOR COVER	1
15	026.12.105.00.00	CARB VALVE	1
16	026.12.019.00.00	JET NEEDLE KEIHIN N2ZJ	1
17	026.12.046.00.00	STARTER JET 85 KEIHINJ	1
18	1.642.304.000	JET 118 KEIHIN	1
19	1.642.357.000	PILOT JET SIZE 35	1
20	026.12.044.00.00	PACKINGS KIT	1
22	036.12.004.00.00	THROTTLE POSITION SENSOR	1
23	2.557.912.000	PLATE, FOOT BREKE LEVEL	1
24	1.254.242.000	CLIP, JET NEEDLE	1
25	1.642.311.000	JET 130 KEIHIN	1
111	026.12.008.00.00	STARTER PISTON	1
112	026.12.057.82.00	CARBURETOR	1
161	026.12.018.00.00	JET NEEDLE KEIHIN N2ZW	1
162	026.12.020.00.00	JET NEEDLE KEIHIN N2ZK	1
163	026.12.017.00.00	JET NEEDLE KEIHIN N84K	1
164	026.12.021.00.00	JET NEEDLE KEIHIN N2ZH	1
165	026.12.022.00.00	JET NEEDLE KEIHIN NOZK	1
166	026.12.023.00.00	JET NEEDLE KEIHIN NOZJ	1
168	035.12.017.00.00	CONICAL NEEDLE N2ZG	1
171	026.12.005.00.00	STARTER JET 50 KEIHINJ	1
181	3.625.104.000	MAIN JET 155 KEIHIN	1
182	3.625.105.000	MAIN JET 158 KEIHIN	1
183	3.625.106.000	MAIN JET 160 KEIHIN	1
185	3.625.108.000	MAIN JET 165 KEIHIN	1
186	3.625.109.000	MAIN JET 168 KEIHIN	1
187	3.625.110.000	MAIN JET 170 KEIHIN	1
188	3.625.111.000	MAIN JET 172 KEIHIN	1
189	3.625.112.000	MAIN JET 175 KEIHIN	1

191	1.642.355.000	MIN JET 38 VHST 26 CARB.	1
192	026.12.007.00.00	MIN JET 40 KEIHIN	1
193	1.642.347.000	PILOT JET SIZE 42	1



Ref.	Part Number	Description	Parts
1	026.02.049.80.00	CRANKSHAFT RR 2T NEW	1
2	026.02.033.80.0A	PISTON CPL. 300CC D=72,0MM -A-	1
3	026.02.031.00.00	PISTON RING D.72	2
4	026.02.023.00.00	PIN	1
5	1.042.600.000	CIRCLIP 18	2
6	1.616.710.000	NEEDLE BUSHING 18.22.20	1
7	026.02.019.80.00	CONNECTING ROD ASSY	1
8	1.325.010.000	NUT	1
9	2.774.810.000	SPRING WASHER DIN137 B12 FST	1
10	C02.01.041.00.00	OIL SEAL, 25X35X7	1
11	C06.01.035.00.00	SEAL 3TM 6206CJR2CM40	2
12	026.02.009.00.00	SPACER	1

13	C02.01.042.00.00	OIL SEAL 38X52X7	1
14	026.03.005.80.00	PINION GEAR Z27 NEW	1
15	006.03.023.00.00	NUT M20X1,5LH (PRIMARY GEAR)	1
16	1.246.020.000	KEY 3.5	1
17	1.246.151.000	WOODRUFF, 4.5	1
18	1.066.620.000	OIL SEAL	1
19	026.02.048.00.00	CRANKSHAFT INSERT RR 2T NEW	2
20	C24.91.002.00.00	SCREW 6.12, TORX	6
21	026.02.040.00.00	BALANCER SHAFT NEW	1
22	026.02.042.00.00	NEW	1
23	026.02.007.00.00	BALANCE SHAFT GEAR NEW	1
24	C24.31.044.00.00	SCREW M8X16 DIN6921 NEW	1
25	1.122.200.000	NEEDLE 12.18.12	1
26	1.298.000.000	BALL BEARING 20.42.12	1