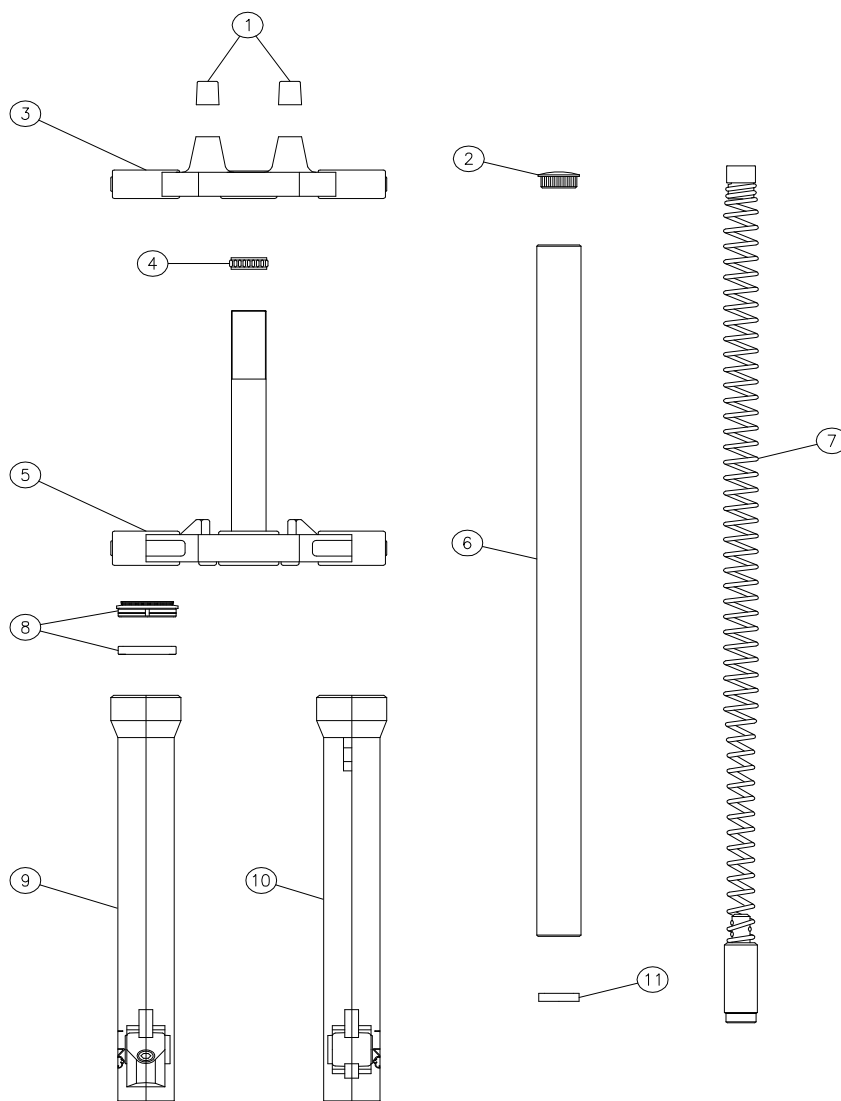
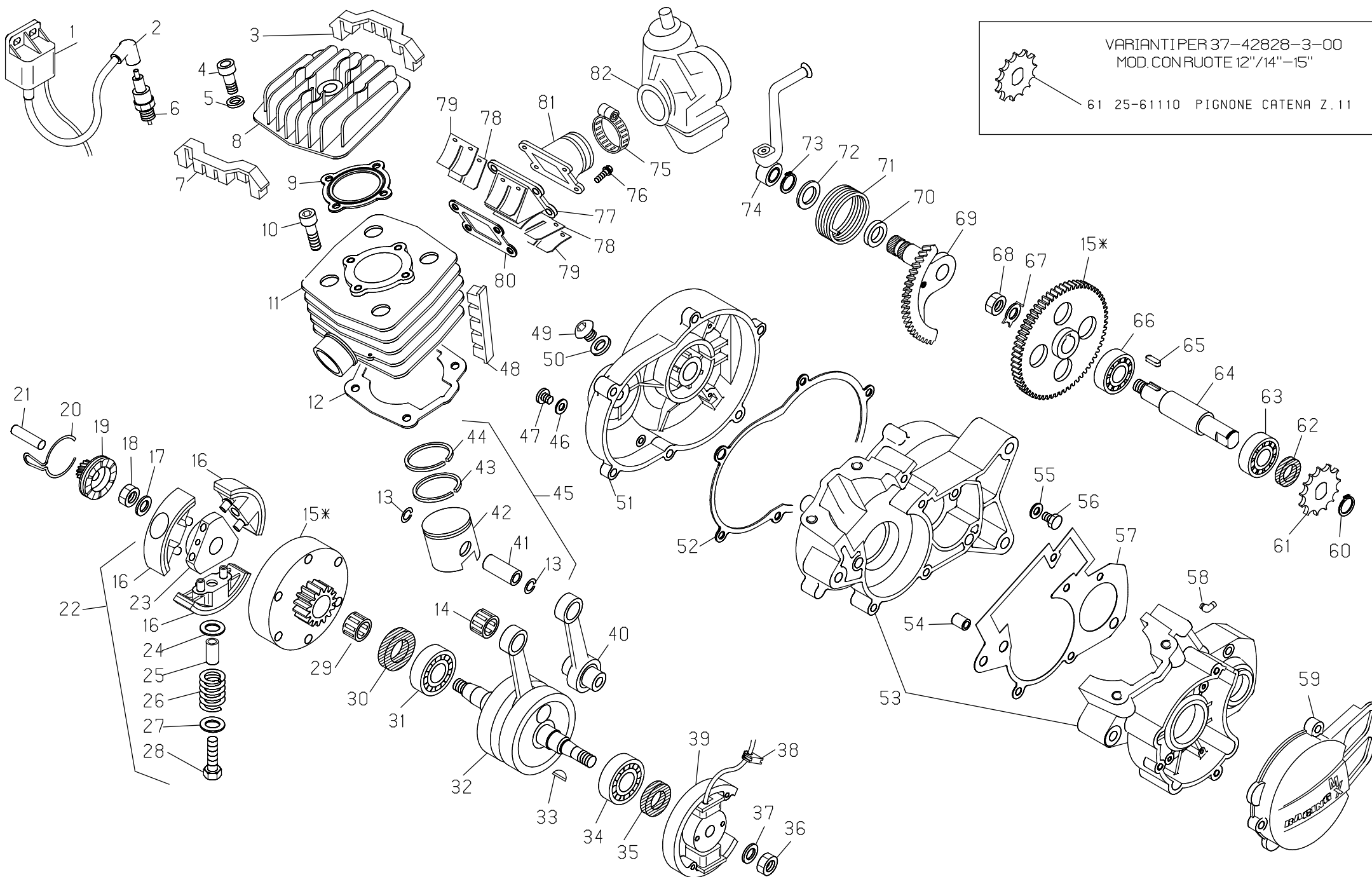


**FORCELLA MINI CROSS "R12"
FRONT FORK, MINI CROSS "R12"**


1	1208256 000	LUNETTE ALLUMINIO FISSAGGIO CROCERA SUPERIORE
2	2901973 000	TAPPO CANNA <i>FORK TUBE CAP</i>
3	2950184 057	CROCERA FORCELLA SUPERIORE <i>TRIPLE CLAMP TOP</i>
4	1513076 000	FASCETTA ELASTICA PER CANNOTTO <i>TRIPLE CLAMPS STEAM SPACER</i>
5	1209742 057	CROCERA FORCELLA INFERIORE CON CANNOTTO
6	2940466 000	CANNA SX + DX <i>FORK TUBE R/S + L/S</i>
7	2252706 000	MOLLA FORCELLA <i>FORK SPRING</i>
8	1041464 000	KIT PARAOLIO FORCELLA <i>RUBBER FORK COVER OIL SEAL KIT</i>
9	1618654 000	GAMBALE DESTRO <i>LOWER FORK LEG R/S</i>
10	1618396 000	GAMBALE SINISTRO <i>LOWER FORK LEG L/S</i>
11	1634909 000	GOMMINO BATTUTA FINE CORSA CANNA <i>FORK LEG RUN STOPPING RUBBER PAD</i>



N.	CODICE	DESCRIZIONE
1	11-20631	BOBINA ATE
2	27-13512	RACCORDO CANDELA SCHERMATO
3	16-21062	GOMMA ANTIVIBRAZ. TESTA POST.
4	31-45000	VITE TCCE M6x30
5	27-40500	RONDELLA 6x13
6	12-25200	CANDELA RN 3C SCHERMATA
7	16-21061	GOMMA ANTIVIBRAZ. TESTA ANT.
8	29-12038-0-59	TESTA
9	16-64100	GUARNIZIONE TESTA
10	31-63890	VITE TCCE M8x20
11	12-52501-0-59	CILINDRO
12	16-61750	GUARNIZIONE CILINDRO-CARTER
13	10-42010	ANELLO FERMA SPINOTTO
14	16-11500	GABBIA 12x15x15
15	29-06916-8	TRAMMISS. NE PRIM. C/CAMPANA
16	22-30105-8	MASSETTA
17	27-58500-0-60	RONDELLA SPESS. 10x17
18	13-20200	DADO SPEC. 10x1,25x6
19	22-14540	MANICOTTO MM
20	22-58040	MOLLA MANICOTTO MM
21	25-43911	PERNO 8x32
22	15-08876-8	FRIZIONE COMPLETA
23	22-90019	MOZZO FRIZIONE
24	27-58061-0-50	RONDELLA SPESS. 8x15x0,5
25	29-09577	TUBETTO PER MOLLE
26	22-37890	MOLLA FRIZIONE
27	27-58061-0-50	RONDELLA SPESS. 8x15x0,5
28	11-49511	BULLONE 6x25 RS
29	16-12905	GABBIA 15x18x17
30	10-62020	ANELLO PARAOLIO 17x35x7
31	12-96000	CUSCINETTO 17x40x12
32	10-00725	ALBERO MOTORE
33	12-45000	CHIAVETTA 2.5x3.7
34	12-96000	CUSCINETTO 17x40x12
35	10-56010	ANELLO PARAOLIO 15x24x7
36	13-19020	DADO M10x1.25
37	27-58500-0-60	RONDELLA
38	16-33510	GOMMINO PASSAFILI VOLANO
39	31-03262	VOLANO MAGNETE
40	11-03740-8	BIELLA COMPLETA
41	28-93610	SPINOTTO
42	25-80264	PISTONE D. 39,5 PER GHISA
43	28-60160	SEGMENTO
44	28-60160	SEGMENTO

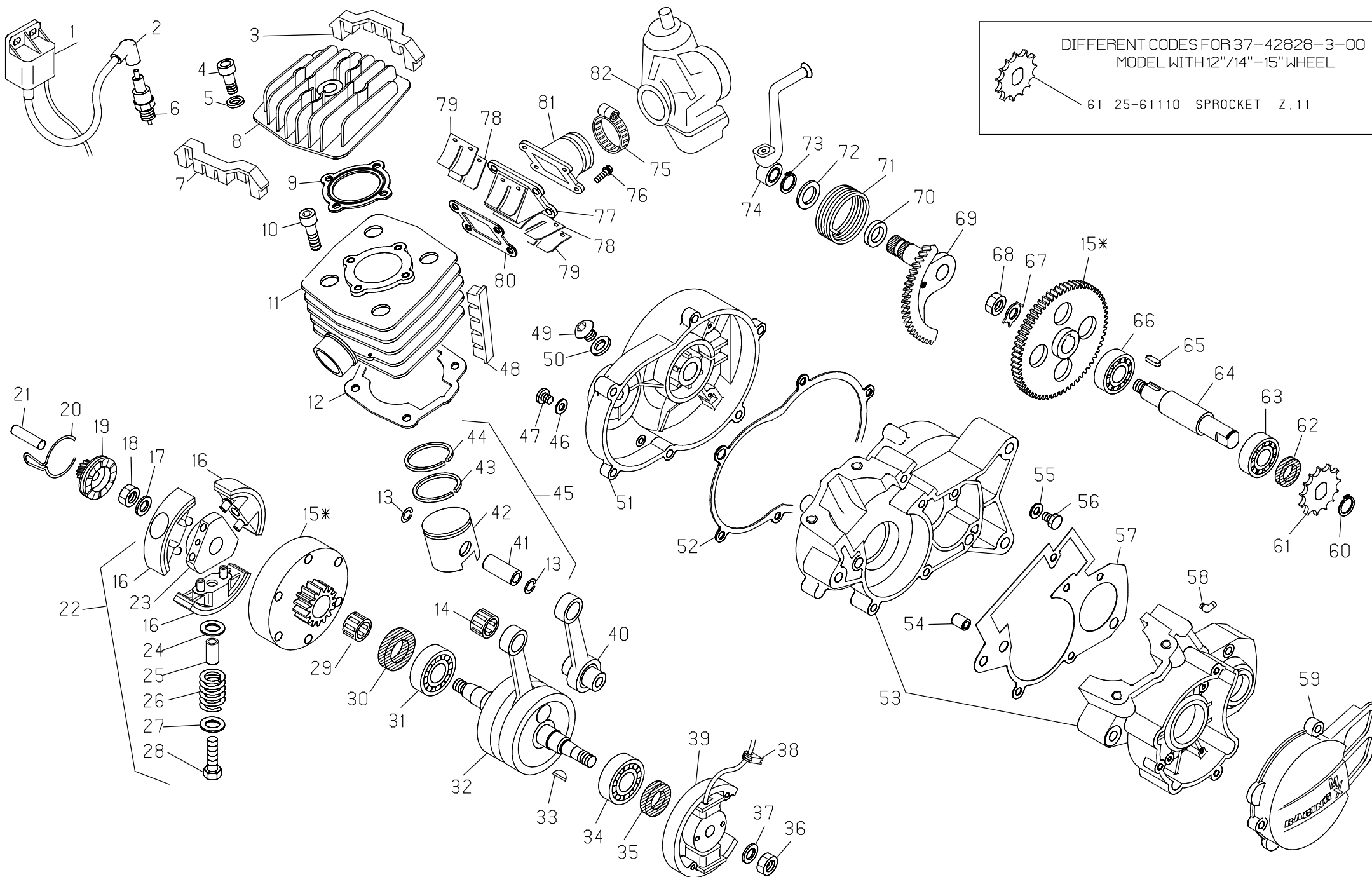
N.	CODICE	DESCRIZIONE
45	25-03410-8	PISTONE COMPLETO D. 39,5
46	16-47500	GUARNIZIONE 6x12x1.5
47	31-30490-0-51	VITE M6x8
48	16-21031	GOMMA ANTIVIBRAZ. CILINDRO
49	29-10290	TAPPO OLIO
50	16-53600	GUARNIZIONE 16x22.5x1
51	12-62113-0-33	COPERCHIO FRIZIONE
52	16-71530	GUARNIZIONE COPERCHIO FRIZ.
53	12-06311	CARTER
54	16-36500	GRANO RIFERIMENTO 9x10
55	16-50510	GUARNIZIONE RAME 10x1.5x1
56	11-58000	BULLONE SPECIALE
57	16-55050	GUARNIZIONE CARTER
58	27-23380	RACCORDO PER SFIATO
59	12-70110-0-33	COPERCHIO VOLANO
60	28-23600	SEEGER 15E
61	25-61111	PIGNONE CATENA Z. 10
62	10-54000	ANELLO PARAOLIO 15x24x5
63	12-94000	CUSCINETTO 15x35x11
64	10-26150	ALBERO RINVIO
65	12-46160	CHIAVETTA 5x5x12
66	12-94000	CUSCINETTO 15x35x11
67	27-74760	RONDELLA FERMADADO Ø14
68	13-28950	DADO M14x1.25
69	22-05084	MESSA IN MOTO
70	10-56015	ANELLO PARAOLIO P 16x22x4
71	22-79040	MOLLA RITORNO LEVA MM
72	27-67510	RONDELLA 16x26x1
73	28-23600	SEEGER 15E
74	21-55112	LEVA MESSA IN MOTO
75	15-15370	FASCETTA PER CARBURATORE
76	11-49070	BULLONE C/ ROND. 6x20
77	31-02140	VALVOLA ASPIRAZIONE COMPL.
78	21-15360	LAMELLA PER VALVOLA
79	25-59670	PIASTRINA PER LAMELLA
80	16-92550	GUARNIZIONE VALVOLA
81	27-23051	RACCORDO CARBURATORE
82	12-05072	CARBURATORE

PARTICOLARI NON FIGURANTI

20-02854	KIT GOMME ANTIVIBRAZIONE
28-06886-8	SERIE ANELLI PARAOLIO
28-08075-8	SERIE GUARNIZIONI
25-03415-8	PISTONE MAGG. TO COMPL. 40,4
25-80267	PISTONE MAGG. TO Ø40,4
28-60171	SEGMENTO MAGG. TO Ø40,4
28-60171	SEGMENTO MAGG. TO Ø40,4

VARIANTI PER 37-42828-3-00
MODELLO CON RUOTE 12"-14"/15"

61	25-61110	PIGNONE CATENA Z. 11
----	----------	----------------------



N.	CODE	DESCRIPTION
1	11-20631	ELECTRONIC H.T. COIL
2	27-13512	SPARK PLUG PROTECTOR
3	16-21062	HEAD ANTIVIBRACTIONS RUBBER
4	31-45000	SCREW 6x30
5	27-40500	WASHER 6x13
6	12-25200	SPARK PLUG 3N 3C
7	16-21061	HEAD ANTIVIBRACTIONS RUBBER
8	29-12038-0-59	CILINDER HEAD
9	16-64100	GASKET
10	31-63890	SCREW 8x20
11	12-52501-0-59	CILINDER
12	16-61750	CILINDER CRANKASE GASKET
13	10-42010	CIRCLIP
14	16-11500	NEEDLE BEARING 12x15x15
15	29-06916-8	PRIMARY DRIVE
16	22-30105-8	CLUTCH PAD
17	27-58500-0-60	WASHER 10x17
18	13-20200	SPECIAL NUT 10x1,25x6
19	22-14540	KICKSTARTER SLEEVE
20	22-58040	SPRING
21	25-43911	PIN 8x32
22	15-08876-8	CLUTCH ASSY
23	22-90019	CLUTCH HUB
24	27-58061-0-50	SPECIAL WASHER 8x15x0,5
25	29-09577	SPACER
26	22-37890	SPRING
27	27-58061-0-50	SPECIAL WASHER 8x15x0,5
28	11-49511	BOLT 6x25
29	16-12905	NEEDLE BEARING 15x18x17
30	10-62020	OIL SEAL 17x35x7
31	12-96000	BALL BEARING 17x40x12
32	10-00725	CRANKSHAFT
33	12-45000	WOODRUFF KEY 2.5x3.7
34	12-96000	BALL BEARING 17x40x12
35	10-56010	OIL SEAL 15x24x7
36	13-19020	SPECIAL NUT 10x1.25
37	27-58500-0-60	WASHER
38	16-33510	GROMMET
39	31-03262	ELECTRIC FLYWHEEL
40	11-03740-8	CONNECTING ROD ASSY
41	28-93610	PISTON PIN
42	25-80264	PISTON
43	28-60160	PISTON RING
44	28-60160	PISTON RING

N.	CODE	DESCRIZIPTION
45	25-03410-8	COMPL. PISTON
46	16-47500	GASKET 6x12x1.5
47	31-30490-0-51	SCREW 6x8
48	16-21031	CILYNDER ANTIVIBR. RUBBER
49	29-10290	OIL PLUG
50	16-53600	GASKET 16x22.5x1
51	12-62113-0-33	CLUTCH COVER
52	16-71530	CLUTCH COVER GASKET
53	12-06311	CRANKCASE
54	16-36500	DOWEL 9x10
55	16-50510	GASKET 10x15x1 COPPER
56	11-58000	SPECIAL BOLT
57	16-55050	CRANKCASE GASKET
58	27-23380	BREATHER PIPE HOSE
59	12-70110-0-33	MAGNETO COVER
60	28-23600	SEEGER 15E
61	25-61111	SPROCKET Z. 10
62	10-54000	OIL SEAL 15x24x5
63	12-94000	BALL BEARING 15x35x11
64	10-26150	TRANSMISSION SHAFT
65	12-46160	WOODRUFF KEY 5x5x12
66	12-94000	BALL BEARING 15x35x11
67	27-74760	SPECIAL WASHER D. 14
68	13-28950	SPECIAL NUT 14x1.25
69	22-05084	KICKSTARTER
70	10-56015	OIL SEAL 16x22x4
71	22-79040	KICKSTARTER SPRING
72	27-67510	WASHER 16x26x1
73	28-23600	SEEGER 15E
74	21-55112	KICKSTARTER LEVER
75	15-15370	CLAMP
76	11-49070	BOLT 6x20
77	31-02140	REED VALVE
78	21-15360	VALVE'S BLADE
79	25-59670	VALVE'S PLATE
80	16-92550	VALVE'S GASKET
81	27-23051	INLET MANIFOLD
82	12-05072	CARBURETOR

SUPPLEMENTARY PARTS LIST

20-02854	ANTIVIBRATION SET
28-06886-8	OIL SEAT SET
28-08075-8	GASKET SET
25-03415-8	COMPL. PISTON Ø40,4
25-80267	PISTON Ø40,4
28-60171	PISTON RING Ø40,4
28-60171	PISTON RING Ø40,4

DIFFERENT CODES FOR 37-42828-3-00
MODEL WITH 12"-14"/15" WHEEL

61	25-61110	SPROCKET Z. 11
----	----------	----------------