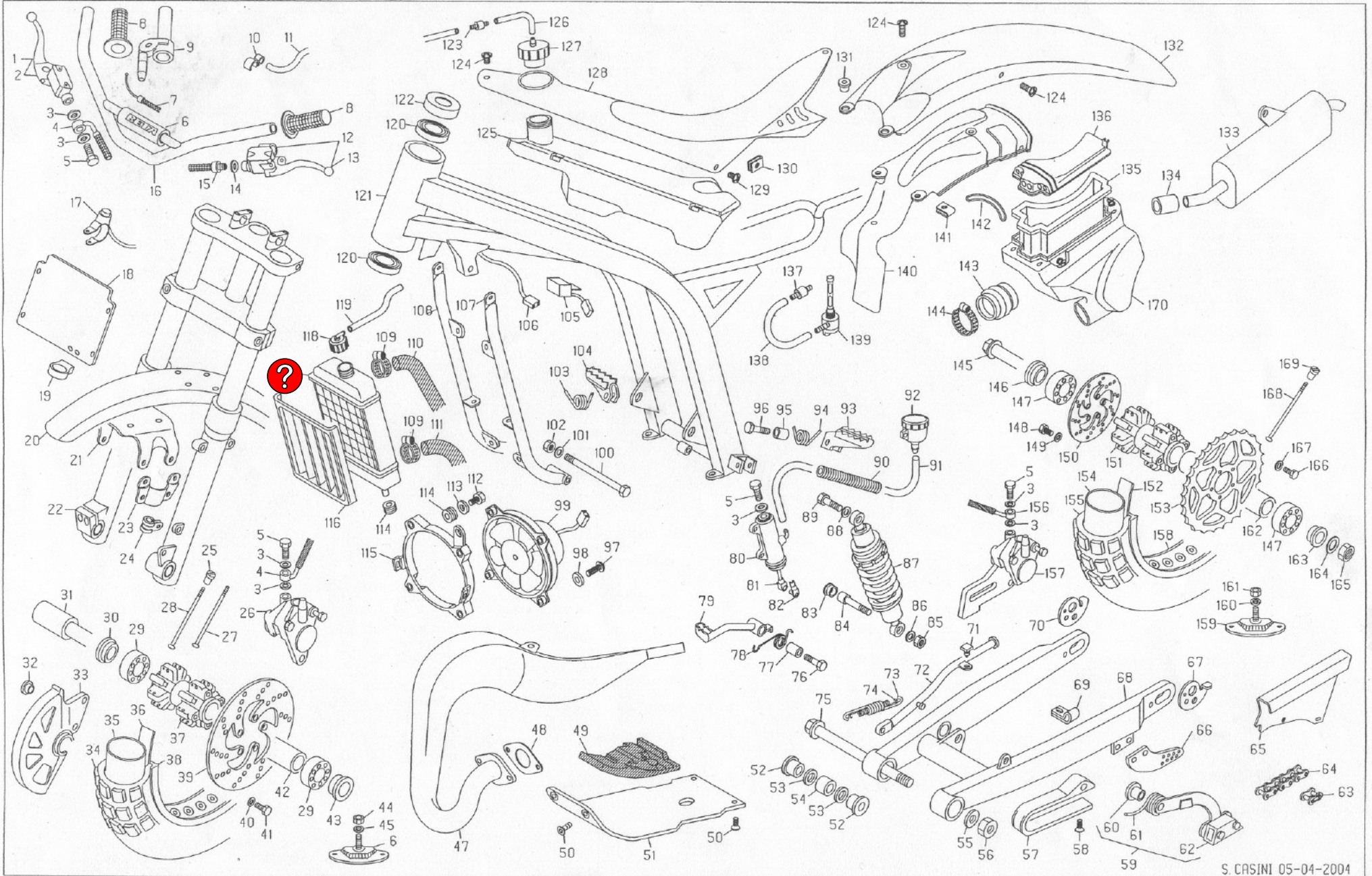




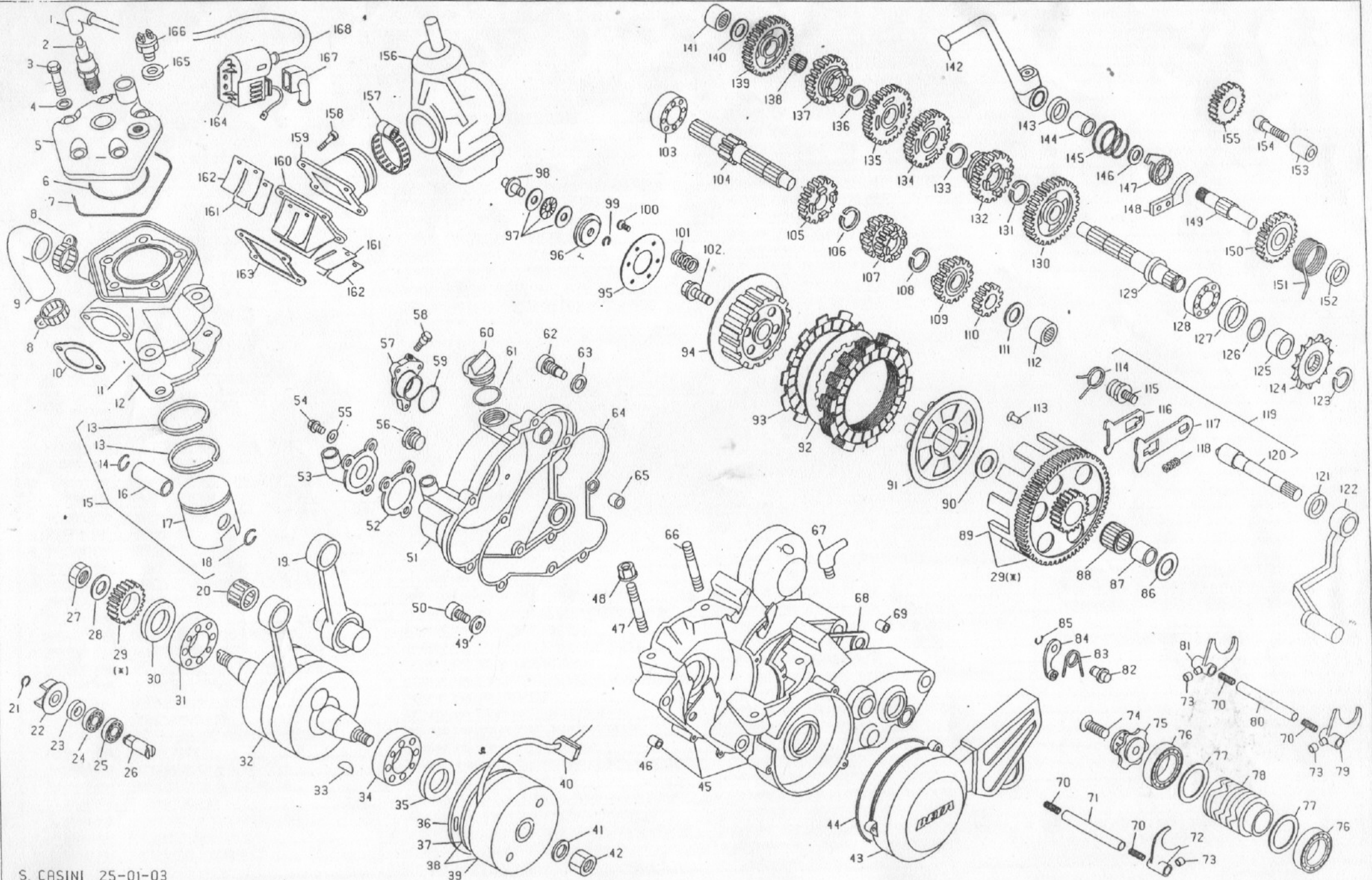
Rev-80 - 2004



N. CODICE	DESCRIZIONE	N. CODICE	DESCRIZIONE	N. CODICE	DESCRIZIONE	N. CODICE	DESCRIZIONE	
1	21-27058	FRONT BRAKE LEVER ONLY	56	13-21150	NUT	111	29-15735	RADIATOR PIPE
2	21-02151	FRONT BRAKE LEVER	57	29-10090-0-52	SLIDING BLOCK	112	11-46100	BOLT 5x8
3	16-50510	COPPER WASHER 10x15x1	58	31-30500	SCREW 6x12	113	27-36000	WASHER
4	29-09124	FRONT BRAKE HOSE	59	25-25970	SLIDING BLOCK ASSY	114	20-91500	SILENT BLOCK
5	11-65041	SPEC. BOLT BRAKE TUBE	60	13-46314	SPACER	115	28-98012-0-59	ELECTRIC FUN BRACKET
6	16-23593-0-97	HEADLEBAR RUBBER	61	22-81111	SPRING	116	16-45538-1-67	RADIATOR GRILL
7	29-21977-0-52	THROTTLE CABLE	62	16-22500	RUBBER SLIDING BLOCK	117	27-23641	RADIATOR
8	22-18531	GRIPS	63	22-11180	CONNECTION LINK	118	29-01821	RADIATOR PLUG
9	12-55091	THROTTLE ONLY	64	12-08050	CHAIN	119	29-15811	PIPE 5x9
10	28-98600	BEATHER PIPE BRACKET	65	12-84771-0-52	CHAINGUARD	120	12-98300	CONICAL BEARING 20x42x15
11	29-15811	TUBE 5x9	66	25-98955	SPROCKET PROTECTION	121	29-11557-0-33	FRAME
12	21-02421	CLUTCH LEVER	67	29-11891	LH CHAIN ADJUSTER	122	25-98670	PROTECTION BEARING
13	21-27081	CLUTCH LEVER ONLY	68	15-49632	SWINGING ARM	123	31-02170	TANK VALVE
14	16-50510	COPPER WASHER	69	15-14653	CLAMP	124	31-30520	SCREW 6x16
15	29-09094	CLUTCH TRANSMISSION	70	29-11892	RH CHAIN ADJUSTER	125	28-06071	FUEL TANK
16	22-20457-0-33	HANDLEBAR	71	16-29490	RUBBER STAND	126	29-15811	PIPE 5x9
17	18-64983	SWITCH	72	12-39972	STAND	127	29-00525-0-59	FUEL TANK PLUG
18	22-28852-8-97	HEADLIGHT MASK ASSY	73	22-47022	STAND SPRING	128	12-88517-8-18	FUEL TANK COVER ASSY
19	25-25220	PLATE	74	22-47019	STAND SPRING	129	31-30520	SCREW 6x16
20	25-15190-0-97	FRONT FENDER	75	25-55725	S/ARM SPINDLE	130	25-60310	PLATE FIXING M6
21	28-98270	FRONT FENDER BRACKET	76	11-55450	BOLT 8x30	131	13-62000	SPACER
22	15-08134	FRONT FORK	77	13-46313	SPACER BRAKE LEVER	132	25-19582-8-97	REAR FENDER ASSY
23	28-95653	BRACKET	78	22-80510	SPRING BRAKE LEVER	133	28-91779	SILENCER
24	15-14600	CLAMP	79	25-28092	BRAKE LEVER	134	22-12120	RUBBER SLEVE
25	23-10060	NIPPLES	80	25-91182	REAR BRAKE PUMP	135	15-25205	AIR FILTER
26	25-03047	FRONT BRACKE PLIERS	81	10-84093	REAR BRAKE ROD	136	12-73181	FILTER COVER
27	27-23833	FRONT SPOKE 3x250	82	28-93130	BRAKE ROD LOCKING PLATE	137	15-24651	GASOLINE FILTER
28	27-23834	FRONT SPOKE 3x252	83	29-10593	RUBBER PLUG	138	29-15811	PIPE 5x9
29	12-94010	BALL BEARING 15x35x11	84	31-65510	SCREW 10x55	139	27-81082	PETCOCK
30	13-85766	WHEEL HUB RH SPACER	85	13-19010	NUT	140	25-24655-0-59	WHEEL HOUSE
31	25-55693	FRONT WHEEL AXLE	86	27-54000	WASHER	141	25-60310	PLATE FIXING M6
32	13-55240	FRONT DISK COVER SPACER	87	10-03723	SHOCK ABSORBER	142	14-40040	ELESTIC RUBBER
33	12-88071-1-33	DISK BRAKE COVER SPACER	88	27-54000	SELF-BLOCKING NUT	143	22-13576	RUBBER SLEEVE
34	12-79400	TIRE 2,75x21	89	11-63000	BOLT 10x50	144	15-15360	CLAMP 25-45
35	12-16410	TUBE 2,75x21	90	22-55535	SPRING	145	25-55815	REAR WHEEL AXLE
36	15-38200	FLAP 21x25	91	29-15862	TUBE 3x8	146	13-85767	WHEEL HUB RH SPACER
37	22-07243	FRONT HUB	92	28-05100	BRAKE OIL TANK	147	12-94010	BALL BEARING 15x35x11
38	12-42864	FRONT RIM 21	93	25-32530	LH FOOTREST	148	11-49010	BOLT 6x20
39	13-39278	FRONT BRAKE DISK	94	22-62020	LH FOOTREST SPRING	149	27-39400	WASHER
40	11-49010	WASHER 8 GROWER	95	13-46530	SPACER	150	13-39414	REAR BRAKE DISK
41	27-39400	BOLT 8x8	96	11-55700	BOLT 8x45	151	22-08042	REAR HUB
42	13-62704	WHEEL HUB INNER SPACER	97	31-27510	SCREW 4x20	152	15-36000	CLAMP 17-18x25
43	13-85765	WHEEL HUB LH SPACER	98	27-34500	WASHER	153	12-89587	REAR SPROCKET
44	13-17000	NUT	99	14-01040	ELECTRIC FAN	154	12-18460	TUBE 4,00x18
45	27-48000	WASHER 8 GROWER	100	11-57990	BOLT 8x160	155	12-81520	TIRE 4,00x18
46	15-17500	TIRE FASTENER	101	27-49500	WASHER 8x18	156	29-09125	REAR BRAKE HOSE
47	22-03344	MUFFLER	102	13-17020	NUT 8 SELF BLOCKING	157	25-03033	REAR BRAKE PLIERS
48	16-80321	COPPER	103	22-62010	FOOTREST SPRING	158	12-42866	REAR RIM 18
49	16-23342	BUMPER RUBBER	104	25-32520	RH FOOTREST	159	15-17550	TIRE FASTENER
50	31-63930	SCREW 8x20	105	27-28092	REGULATOR	160	27-48000	WASHER 8 GROWER
51	12-32172	BUMPER	106	18-01851	ELECTRIC EQUIPMENT	161	13-17000	NUT 8x8
52	13-49201	SPACER	107	29-11562-0-33	LH CONNECTING FRAME ROD	162	13-62714	INNER REAR HUB SPACER
53	10-41195	DUST COVER RING	108	29-11561-0-33	RH CONNECTING FRAME ROD	163	13-85769	WHEEL HUB LH SPACER
54	11-26451	AXLE BOX	109	15-15230	CLAMP 14-24	164	27-55600	WASHER 8x24
55	27-55600	WASHER	110	29-15736	RADIATOR PIPE	165	13-21150	NUT 12x1,25

SUPPLEMENTARY PARTS LIST

12-43060	SPARK KEY
13-38815-1	FRONT FENDER DECALCS
13-34061-0-97	DECALCS SET -ASSY-
13-34051-3-97	REAR FENDER DECALCS
13-34051-4-97	FUEL TANK COVER DECALC
13-34051-5-97	HEADLIGHT MASK DECALC
13-34061-6-97	COMPLETELY DECALCS
27-02556-0-57	FRONT WHEEL
27-04824-0-57	REAR WHEEL
37-42862	ENGINE



Nº	Código	Descripción	Nº	Código	Descripción	Nº	Código	Descripción	Nº	Código	Descripción
1	27.13513. 0.00	PIPA BUJIA REV-80	56	29.10030. 0.00	TAPON VISOR ACEITE	111	27.60500. 0.00	ARANDELA SPEC. C72 12.25.1	166	29.11960. 0.00	TERMOSTATO TEMPERATURA TR.
2	12.25200. 0.00	BUJIA RN3C SCHERMATA	57	12.91895. 0.33	CUERPO BOMBA C/PISTÓN REV-80	112	11.22250. 0.00	COJINETE AGUJAS NK 12.19.12	167	12.30460. 0.00	CAPUCHON BOBINA DUCATI
3	11.52425. 0.00	TORNILLO ESPECIAL 7.33	58	31.83530. 0.00	TRNLL ESPECIAL CUERPO BOMBA REV-80	113	27.31640. 0.00	REMACHE PARA CORONA 5.9 EMBRAGUE RK	168	12.08200. 0.00	CADENA 1/2.5/16 P.126
4	27.45100. 0.00	ARANDELA PLANA COBRE 7.12.0,2	59	10.66750. 0.00	JUNTA TORICA CUERPO BOMBA REV-80	114	22.72031. 0.00	MUELLE RETORNO SELECTOR REV-80			
5	29.12050. 0.57	CULATA REV-80	60	29.09600. 0.00	TAPON ALIMENTACION ACEITE RK6-50	115	25.54410. 0.00	EJE FIACION HORQUILLA SELECTOR RK6-50			
6	10.67110. 0.00	JUNTA TORICA 53,70.57,26.1,78	61	10.66340. 0.00	JUNTA TORICA 16.3	116	31.20980. 8.00	HORQUILLA SELECTOR BK C/EJE			
7	10.66960. 0.00	JUNTA TORICA 94,97.98.53.1,78	62	31.88500. 0.00	TORNILLO RETORNO MUELLE HORQUILLA R	117	31.20970. 8.00	HORQUILLA SELECTOR BK C/EJE			
8	15.15230. 0.00	BRIDA 14/24	63	16.49100. 0.00	JUNTA 8.12.0,5 (COBRE)	118	22.68010. 0.00	MUELLE HORQUILLA CAMBIO RK6/TECHNO			
9	29.15910. 0.00	TUBO REFR. CIL. RK650 sust.29.15671. 0.00	64	16.71520. 0.00	JUNTA TAPA EMBRAGUE RK6-50	119	10.12010. 8.00	EJE PALANCA CAMBIO COMPL. RK6-50			
10	16.80321. 0.00	JUNTA ESCAPE RR	65	16.37010. 0.00	CASQUILLO CENTRADOR 9.15	120	10.12010. 0.00	EJE PALANCA CAMBIO RK6-50			
11	12.52062. 0.57	CILINDRO D48 REV-80	66	25.98050. 0.00	ESPARRAGO 8.41	121	10.47500. 0.00	RETEN 12.20.5			
12	16.61750. 0.00	JUNTA CILINDRO CARTER RK6	67	27.23470. 0.00	RACORD MOTOR RK6-50/ TUBO GASOLINA R	122	21.21220. 0.00	PALANCA CAMBIO MARCHAS RK6-50			
13	28.60180. 0.00	SEGMENTO D.48 AC RK6 (CROMADO)	68	16.55030. 0.00	JUNTA CARTER RK6-50	123	28.25410. 0.00	SEEGER AS 20E			
14	10.42010. 0.00	ANILLO CIERRE BULON 12 S/GANCHO	69	16.41530. 0.00	CASQUILLO CENTRADOR 12.14,5	124	25.61060. 0.00	PIÑON CADENA Z.11 TR-125			MATERIAL NO FIGURA EN DESPIECE
15	25.80210. 8.00	PISTÓN COMPLETO D48 REV-80	70	22.68015. 0.00	MUELLE EJE CAMBIO	125	13.55280. 0.00	DISTANCIADOR PIÑON CADENA RK6-50			
16	28.93620. 0.00	BULON 12.40	71	25.61011. 0.00	EJE GUIA HORQUILLA CAMBIO REV-80	126	10.66380. 0.00	JUNTA TORICA 18,77.22,33.1,78	11.00686. 8.00		CAMBIO COMPLETO REV-80 03
17	25.80270. 0.00	PISTON DIAM.48 RK6-50	72	15.64031. 0.00	HORQUILLA 5-6 REV-80 2°vers.	127	10.64700. 0.00	RETEN 26.35.7	22.05070. 8.00		EJE PUESTA EN MARCHA REV-80
18	10.42010. 0.00	ANILLO CIERRE BULON 12 S/GANCHO	73	11.29035. 0.00	TORNILLO 6.30 TSPCE	128	12.98000. 0.00	COJINETE 20.42.12	28.08070. 8.00		SERIE JUNTAS MOTOR RK6-50
19	11.03716. 8.00	BIELA COMPLETA REV-80 03 2°vers	74	31.30510. 0.00	TORNILLO 6.30 TSPCE	129	10.28051. 8.00	EJE SECUNDARIO REV-80			
20	16.11500. 0.00	GABIA BULON 12.15.15	75	12.19122. 0.00	SELECTOR MARCHAS REV-80 03	130	18.52030. 8.00	ENGRENAJE 2° VEL. SU REV-80			
21	28.22640. 0.00	SEEGER 9E	76	12.99405. 0.00	COJINETE 25x37x7	131	28.25410. 0.00	SEEGER AS 20E			
22	31.21831. 0.00	ASPAS BOMBA AGUA RK6-50 (BOMBA SEPARAD	77	27.73695. 0.00	ARANDELA ESP CAMBIO MARCHAS REV-80	132	18.67142. 8.00	ENGRANAJE 6° VEL. SU 2° REV-80			
23	10.44610. 0.00	RETEN 10.18.4 M/INOX.	78	12.19113. 0.00	SELECTOR MARCHAS REV-80	133	28.25410. 0.00	SEEGER AS 20E			
24	12.93440. 0.00	COJINETE 10.19.5 (61800-2RS1)	79	15.64012. 0.00	HORQUILLA 1-4 REV-80 2°vers.	134	18.61500. 8.00	ENGRANAJE 3° VEL. SU 2° RK6-50			
25	12.93390. 0.00	COJINETE 10.19.5 (61800)	80	25.51021. 0.00	EJE GUIA HORQUILLA CAMBIO REV-80	135	18.64100. 8.00	ENGRANAJE 4° VEL. SU 2° RK6-50			
26	10.27750. 0.00	EJE BOMBA AGUA RK6/97 (SEPARADO)	81	15.64011. 0.00	HORQUILLA 2-3 REV-80 2°vers.	136	28.25410. 0.00	SEEGER AS 20E			
27	13.28951. 0.00	TUERCA ESPE. 14.1,25.5 CH.22	82	25.54430. 0.00	EJE FIACION LEVA CAMBIO TECHNO	137	18.66442. 8.00	ENGRANAJE 5° VEL. SU 2° REV-80 2°vers.			
28	27.61550. 0.00	ARANDELA SPEC. C72 14,3.20.1 MM	83	22.39580. 0.00	MUELLE FIACION MARCHAS RK6-50	138	16.12650. 0.00	GABIA 14.18.8			
29	29.07302. 8.00	TRANSMISIÓN PRIMARIA C/CAPMPANA REV-80	84	21.17150. 0.00	MANDO FIJACIÓN MARCHA COMPL. REV-80	139	18.43023. 8.00	ENGRANAJE 1° VEL. SU REV-80 03			
30	10.64111. 0.00	RETEN 20.35.6/6,5 VYTON	85	28.22700. 0.00	SEEGER 10E	140	27.60500. 0.00	ARANDELA SPEC. C72 12.25.1			
31	12.99022. 0.00	COJINETE 20.52.15 C/GABIA	86	27.71100. 0.00	ARANDELA SPEC. 17.30.1,5	141	11.22250. 0.00	COJINETE AGUJAS NK 12.19.12			
32	10.00682. 0.00	CIGÜEÑAL MOTOR REV-80 2°vers.	87	11.27120. 0.00	CASQUILLO 17.21.17,2 CORONA EMBRAGUE R	142	21.55153. 0.00	PALANCA PUESTA EN MARCHA CR-65/2001			
33	12.46000. 0.00	CHAVETA 3.3,7.9,7	88	16.17280. 0.00	GABIA 3.1.25.17	143	10.52010. 0.00	RETEN 14.24.7			
34	12.99022. 0.00	COJINETE 20.52.15 C/GABIA	89	12.20770. 0.00	CAMPANA EMBRAGUE MOD. RK6-50	144	11.31020. 0.00	CASQUILLO 14.18.11,5			
35	10.64110. 0.00	RETEN 20.35.6/6,5 VYTON	90	27.71100. 0.00	ARANDELA SPEC. 17.30.1,5	145	22.36570. 0.00	MUELLE CONICO ARRANQUE RK6-50			
36	25.60165. 0.00	PLETINA STATOR REV-80 03	91	12.29593. 0.00	CABEZAL EMBRAGUE REV-80	146	27.61550. 0.00	ARANDELA SPEC. C72 14,3.20.1 MM			
37	28.97807. 0.00	STATOR PARA VOLANTE REV-80	92	13.38130. 0.00	DISCO SEPARADOR RK6-50	147	22.14090. 8.00	PIÑON PUESTA EN MARCHA TECHNO-50			
38	31.03263. 0.00	VOLANTE MAGNETICO REV-80 03	93	13.43210. 0.00	DISCO EMBRAGUE RK6-50	148	25.57945. 0.00	PLACA EJE ARRANQUE REV-80			
39	27.00359. 0.00	ROTOR VOLANTE REV-80 03	94	29.09613. 0.00	TAMBOR EMBRAGUE REV-80	149	10.15120. 8.00	EJE PUESTA EN MARCHA RK6-50			
40	16.33560. 0.00	GOMA PASACABLE VOLANTE	95	13.42050. 0.00	DISCO PORTAMOLLA REV-80	150	18.14620. 8.00	ENGRANAJE PUESTA EN MARCHA RK6-50			
41	27.52500. 0.00	ARANDELA GROWER 10	96	28.16820. 0.00	CASQUILLO CIERRE EMBRAGUE RK6-50/95	151	22.78250. 0.00	MUELLE RETORNO PALANCA ARRANQUE RK6-50			
42	13.25100. 0.00	TUERCA ESP. 10.1,25.17 CH15	97	16.11250. 0.00	GABIA 6.19.2 C/ARANDELAS	152	13.48080. 0.00	DISTANCIADOR EJE P.MARCHA RK6-50			
43	12.70090. 0.57	TAPA VOLANTE TECHNO-50	98	25.52991. 0.00	EJE ATAQUE EMBRAGUE REV-80	153	25.43910. 0.00	EJE ENGRANAJE REEMBIO ARRANQUE RK6-50			
44	10.67300. 0.00	JUNTA TORICA 120,37.123,93.1,78	99	28.22610. 0.00	SEEGER 6E	154	31.31050. 0.00	TORNILLO ALLEN TCCE 6.15			
45	12.06228. 0.33	CARTER REV-80 03	100	31.34400. 0.00	TORNILLO 6.20 TSPCE	155	18.67810. 8.00	ENGRENAJE LIBRE REV-80			
46	16.41510. 0.00	CASQUILLO CENTRADOR 17.14,5	1001	22.65093. 0.00	MUELLE EMBRAGUE REV-80 03	156	12.05063. 0.00	CARBURADOR PHBG 21 REV-80			
47	25.98050. 0.00	ESPARRAGO 8.41	102	11.59150. 0.00	TORNILLO 10.20 C/ARANDELA	157	15.15370. 0.00	BRIDA 25/37 VELOXBLOC 4B			
48	13.17121. 0.00	TUERCA M8 BASE CILINDRO CH.10	103	12.95500. 0.00	COJINETE 17.40.9	158	31.34510. 0.00	TORNILLO ALLEN TCCE 6.20			
49	16.50511. 0.00	JUNTA 10.15.2 COBRE	104	10.23520. 8.00	EJE PRIMARIO RK6-50	159	27.23051. 0.00	RACORD CARBURADOR MINI MCH			
50	11.58020. 0.00	TORNILLO RESPIRADERO ACEITE C/CALAMITA	105	18.38412. 8.00	ENGRANAJE 5° VEL. SU 1° REV-80 2°vers	160	31.02140. 0.00	CAJA LAMINAS COMPL. TECHNO			
51	12.62098. 0.33	TAPA EMBRAGUE REV-80 03	106	28.24950. 0.00	SEEGER 17 SW	161	25.89670. 0.00	PLATINA FIJACIÓN LÁMINAS REV-80			
52	16.74930. 0.00	JUNTA TAPA BOMBA REV-80	107	18.37652. 8.00	ENGRANAJE 3/4° SU 1° REV-80	162	21.15360. 0.00	LAMINA ADMISION 4M/PM			
53	12.67941. 0.33	TAPÁ BOMBA AGUA REV-80 03	108	28.24950. 0.00	SEEGER 17 SW	163	16.92550. 0.00	JUNTA CAJA LAMINAS 4M/PM			
54	31.30510. 0.00	TORNILLO 6.30 TSPCE	109	18.38742. 8.00	ENGRANAJE 6° VEL. SU 1° REV-80 2°vers	164	11.20638. 0.00	BOBINA ELECTR. ATE REV-80			
55	27.40490. 0.00	ARANDELA PLANA 6x10	110	18.34110. 8.00	ENGRENAJE 2°VEL. REV-80 03	165	16.49500. 0.00	JUNTA 8.20.1 (COBRE)			

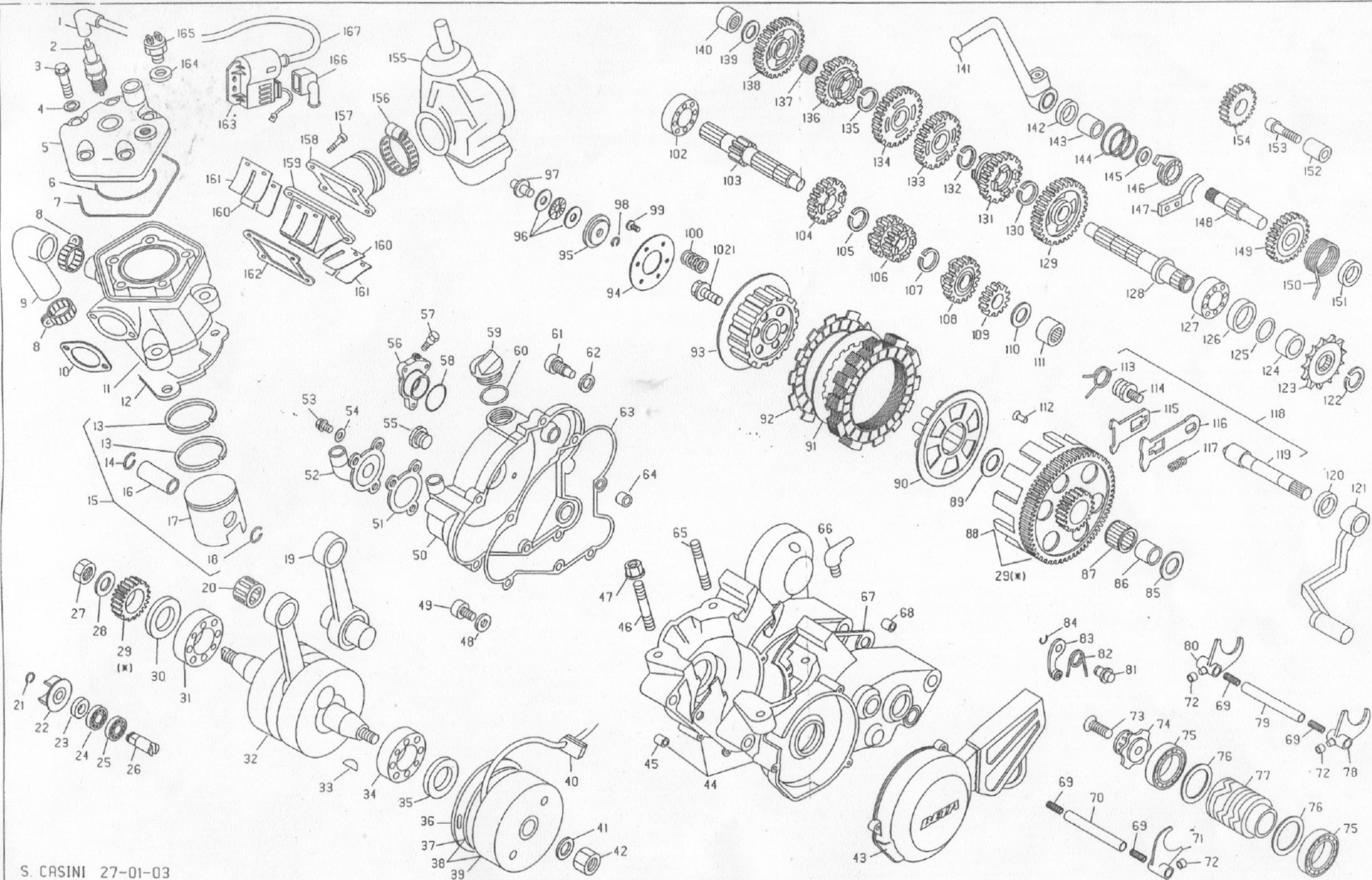
Beta

MOTORE REV-80-3^VERS.

COD. 37-42862

DAL MOTORE N. BKT80 300499

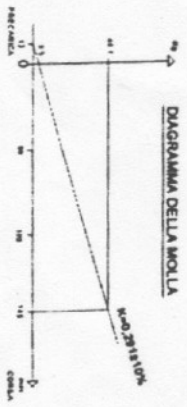
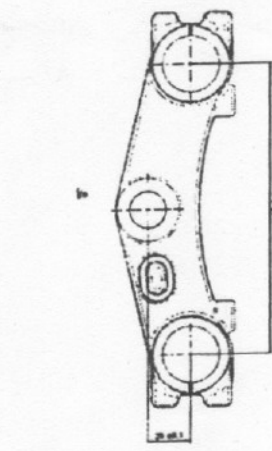
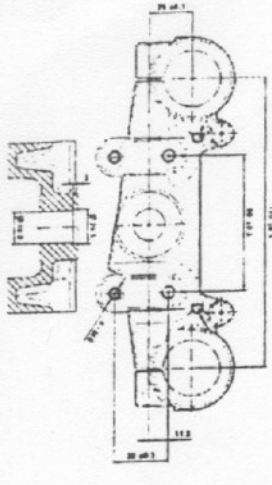
ES-M0232



N.	CODICE	DESCRIZIONE	N.	CODICE	DESCRIZIONE	N.	CODICE	DESCRIZIONE
1	27-13513	RACCORDO CANDELA	60	10-66340	ANELLO OR 16x3	119	10-12010	ALBERO COMANDO CAMBIO
2	12-25200	CANDELA RNC3 SCHEMATA	61	31-88500	VITE RICHIAMO MOLLA VENTAGLIO	120	10-47500	ANELLO PARAOLIO 12x20x5
3	11-52425	BULLONE SPEC. 7x33	62	16-49100	GUARNIZIONE 8x12x0.5 IN RAME	121	21-21220	LEVA COMANDO CAMBIO
4	27-45100	RONDELLA 7x12x0.5 IN RAME	63	16-71520	GUARNIZIONE COPERCHIO FRIZIONE	122	28-25410	SEEGER AS 20E
5	29-12025-0-57	TESTA	64	16-37010	GRANO RIFERIMENTO 9.15	123	25-61050	PIGNONE CATENA Z.10
6	10-67110	ANELLO OR 53.70x1.78 VYTON	65	25-98050	PRIGIONIERO 8x41	124	13-55250	DISTANZIALE PIGNONE CATENA
7	10-66960	ANELLO OR 94.97x1.78	66	27-23470	RACCORDO PER SFIATO	125	10-66350	ANELLO OR 18.77x1.78
8	15-15230	FASCETTA 14/24	67	16-55030	GUARNIZIONE CARTER	126	10-64700	ANELLO PARAOLIO 26x35x7
9	29-15910	TUBO LIQUIDO RAFFREDDAMENTO	68	16-41530	GRANO RIFERIMENTO	127	12-98000	CUSCINETTO 20.42.12
10	16-80321	GUARNIZIONE SCARICO	69	22-65015	MOLLA	128	10-28051-8	ALBERO SECONDARIO
11	12-52462-0-57	CILINDRO D. 48	70	25-51011	PERNO FORCHETTA	129	18-52030-8	INGRANAGGIO 2 VEL. SU SEC.
12	16-61750	GUARNIZIONE CILINDRO-CARTER	71	15-64031	FORCHETTA 5-6	130	28-25410	SEEGER AS 20E
13	28-60180	SEGMENTO D. 48	72	11-29035	BOCCOLINO PER FORCHETTA	131	18-67142-8	INGRANAGGIO 6 VEL. SE SEC.
14	10-42010	ANELLO FERMA SPINOTTO	73	31-30510	VITE TSPCE 6x30	132	28-25410	SEEGER AS 20E
15	25-80270-8	PISTONE COMPLETO D. 48	74	12-19122	CAMMA ARRESTO MARCE	133	18-61500-8	INGRANAGGIO 3 VEL. SU SEC.
16	28-93620	SPINOTTO	75	12-99405	CUSCINETTO 25x37x7	134	18-64100-8	INGRANAGGIO 4 VEL. SU SEC.
17	25-80270	PISTONE D. 48	76	27-73695	RONDELLA SPESS.	135	28-25410	SEEGER AS 20E
18	10-42010	ANELLO FERMA SPINOTTO	77	12-19113	CAMMA	136	18-66442-8	INGRANAGGIO 5 VEL. SU SEC.
19	11-03716-8	BIELLA COMPLETA	78	15-64012	FORCHETTA 1-4	137	16-12650	GABBIA 14x18x8
20	16-11500	GABBIA SPINOTTO	79	25-51021	PERNO FORCHETTA	138	18-43023-8	INGRANAGGIO 1 VEL. SU SEC.
21	28-22660	SEEGER 9E	80	15-64011	FORCHETTA 2-3	139	27-60500	RONDELLA SPESS. 12x25x1
22	31-21831	VENTOLA POMPA ACQUA	81	25-54430	PERNO FISS. LEVA ARR. MARCE	140	11-22250	BOCCOLA A RULLI 12-19-12
23	10-44610	ANELLO PARAOLIO 10x18x4	82	22-39580	MOLLA PER LEVA ARRESTO MARCE	141	21-55153	LEVA MESSA IN MOTO COMPL.
24	12-93400	CUSCINETTO 10x19x5 2SCH	83	21-17150	LEVA ARRESTO MARCE COMPL.	142	10-52010	ANELLO PARAOLIO 14x24x7
25	12-93390	CUSCINETTO 10x19x5	84	28-22700	SEEGER 10E	143	11-31020	BOCCOLA SINTERIZZ. 14x18x11.5
26	10-27750	ALBERO PER POMPA ACQUA	85	27-71100	RONDELLA SPEC. 17x30x1.5	144	22-36570	MOLLA CONICA PER MANICOTTO MM
27	13-28951	DADO SPEC. 14x1.25x5 CH22	86	11-27120	BOCCOLA 17.21.17,2	145	27-61550	RONDELLA SPESS. 14x20x1
28	27-61550	RONDELLA 14x20x1	87	16-17280	GABBIA 21.25.17	146	22-14090-8	MANICOTTO MM
29	29-07302-8	TRASMISSIONE PRIMARIA C/CAMPANA	88	12-20770	CAMPANA FRIZIONE	147	25-57945	PIASTRINA PER MM
30	10-64110	ANELLO PARAOLIO 20x35x6 VYTON	89	27-71100	RONDELLA SPEC. 17x30x1.5	148	10-15120-8	ALBERO MESSA IN MOTO
31	12-99022	CUSCINETTO 20x52x15	90	12-29593	CAPPELLOTTO FRIZIONE	149	18-14620-8	INGRANAGGIO MM
32	10-00682	ALBERO MOTORE	91	13-38130	DISCO ACCIAIO	150	22-78250	MOLLA RITORNO LEVA MM
33	12-46000	CHIAVETTA 3x3.7x9.7	92	13-43210	DISCO SUGHERITE	151	13-48080	DISTANZIALE MM
34	12-99022	CUSCINETTO 20x52x15	93	29-09613	TAMBURINO FRIZIONE	152	25-43910	PERNO INGRANAGGIO OZIOSO
35	10-64110	ANELLO PARAOLIO 20x35x6 VYTON	94	13-42050	DISCO PORTAMOLLE	153	31-31050	VITE BRUGOLA TCCE 6x15
36	25-60163	PIASTRA STATORE	95	28-16820	SCODELLINO STACCO FRIZIONE	154	18-67810-8	INGRANAGGIO OZIOSO
37	28-97807	STATORE	96	16-11250	GABBIA REGGISP. 6x19x2 C/RALLE	155	12-05063	CARBURATORE PHBG 21
38	31-03263	VOLANO MAGNETE	97	25-52991	PERNO STACCO FRIZIONE	156	15-15370	FASCETTA 25/37
39	27-00359	ROTORE	98	28-22610	SEEGER 6E	157	31-34510	VITE BRUGOLA TCCE 6x20
40	16-33560	GOMMINO PASSAFILI VOLANO	99	31-34400	VITE TSPCE 6x20	158	27-23051	RACCORDO CARBURATORE
41	27-52500	RONDELLA 10 GROWER	100	22-65093	MOLLA PER SCODELLINO FRIZ.	159	31-02140	VALVOLA ASPIRAZIONE COMPLETA
42	13-25100	DADO SPEC. 10x1.25x17 CH 15	101	11-59150	BULLONE 10.20 C/RONDELLA	160	25-59670	PIASTRINA PER VALVOLA
43	12-70084-0-57	COPERCHIO VOLANO	102	12-95500	CUSCINETTO 17.40.9	161	21-15360	LAMELLA PER VALVOLA
44	12-06227	CARTER	103	10-23520-8	ALBERO PRIMARIO	162	16-92550	GUARNIZIONE VALVOLA
45	16-41510	GRANO RIFERIMENTO 12	104	18-38412-8	INGRANAGGIO 5 VEL. SU PRIM.	163	11-20638	BOBINA ELETTRONICA
46	25-98050	PRIGIONIERO 8x41	105	28-24950	SEEGER 17SW	164	16-49500	GUARNIZIONE 8x20x1 RAME
47	13-17121	DADO MB	106	18-37652-8	INGRANAGGIO 3/4 VEL. SU PRIM.	165	29-11960	TERMOINTERRUTTORE
48	16-50511	GUARNIZIONE IN RAME 10x15x2	107	28-24950	SEEGER 17SW	166	12-30460	GOMMINO
49	11-58020	BULLONE SPEC.	108	18-38742-8	INGRANAGGIO 6 VEL. SU PRIM.	167	12-08280	CAVO CANDELA
50	12-62095-0-33	COPERCHIO FRIZIONE	109	18-34110-8	INGRANAGGIO 2 VEL. SU PRIM.			
51	16-74930	GUARNIZIONE COPERCHIO POMPA	110	27-60500	RONDELLA SPESS. 12x25x1			
52	12-67941-0-33	COPERCHIO POMPA	111	11-22250	BOCCOLA A RULLI 12x19x12			
53	31-30510	VITE SPEC.	112	27-31640	RIBATTINO 5x9			
54	27-40490	RONDELLA IN RAME 6x10	113	22-72030	MOLLA RITORNO ALBERO COM. CAMBIO			
55	29-10030	TAPPO INDICATORE OLIO	114	25-54410	PERNO FISSAGGIO VENTAGLIO			
56	12-91895-0-33	CORPO POMPA CON PISTONE	115	31-20980-8	VENTAGLIO SCORREVOLE			
57	31-83530	VITE SPEC. CORPO POMPA	116	31-20970-8	VENTAGLIO			
58	10-66750	ANELLO -OR-	117	22-68010	MOLLA VENTAGLIO			
59	29-09600	TAPPO ALIMENTAZIONE OLIO	118	10-12010-8	ALBERO COMANDO CAMBIO COMPLETO			

PARTICOLARI NON FIGURANTI

12-00686-8	CAMBIO COMPLETO
22-05070-8	MESSA IN MOTO COMPLETA
28-08070-8	SERIE GUARNIZIONI



LEGENDA

NUMERO

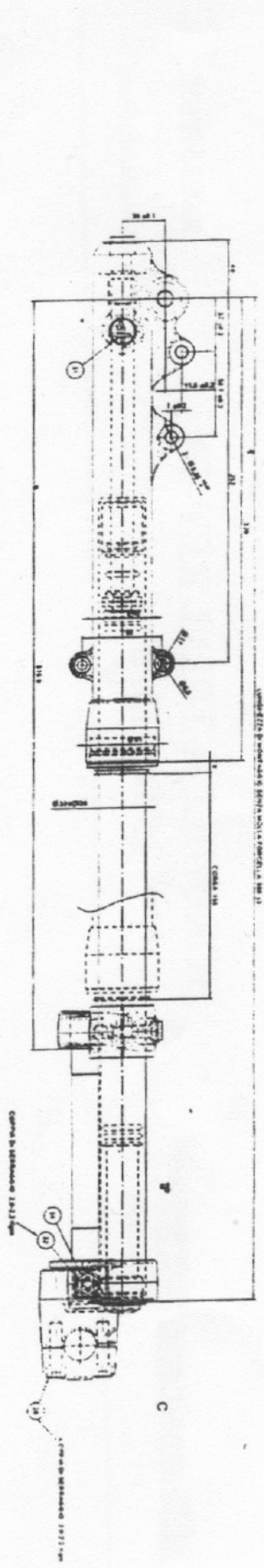
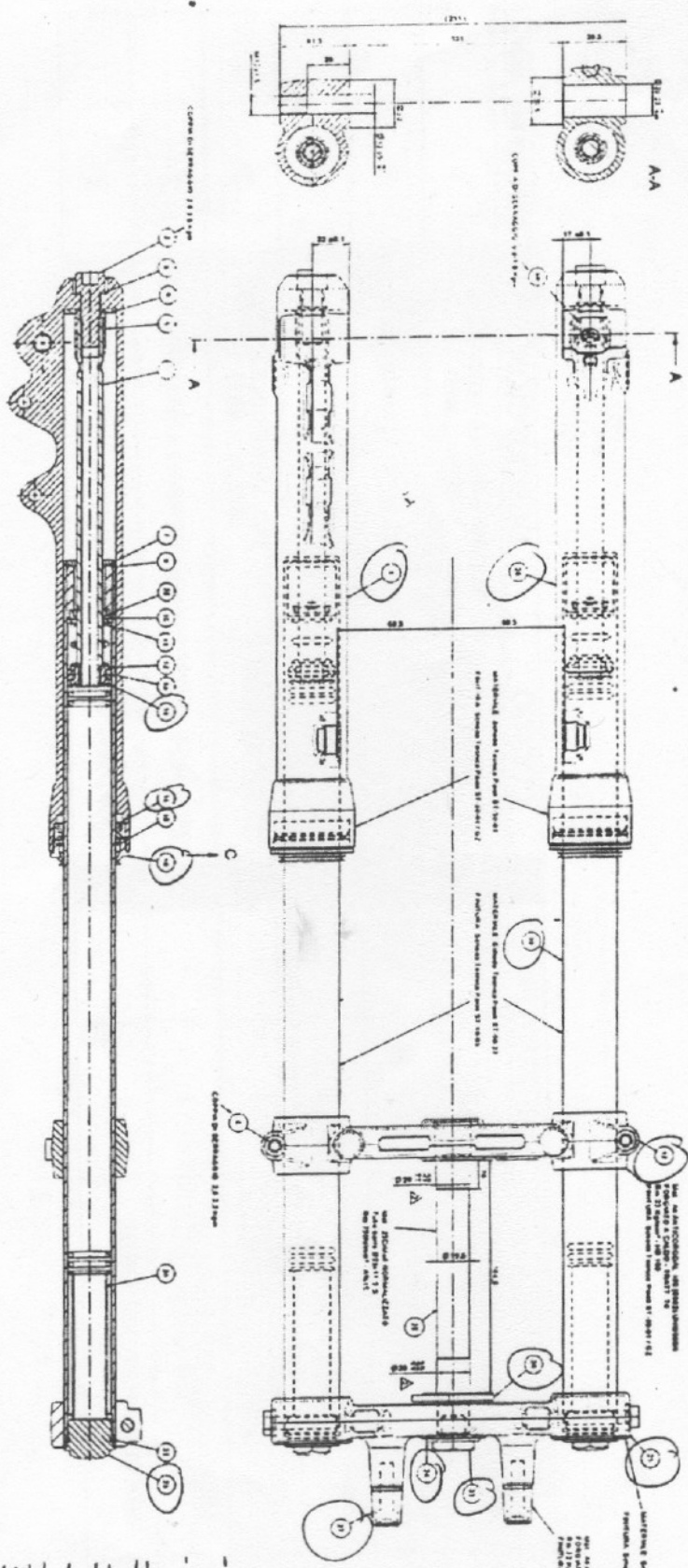
DESCRIZIONE

UNITA'

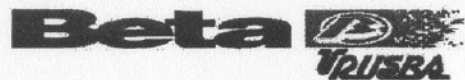
QUANTITA'

MATERIALE

NOTA



- | | | |
|-----|----------------------------|-------------|
| 20 | VITE TACE SERRA NUMERO 20 | 515 001 419 |
| 21 | NODICELLA SERRA 1/16 | 529 001 511 |
| 22 | DADO CILINDRICO | 546 175 528 |
| 23 | VITE TACE SERRA NUMERO 23 | 515 001 719 |
| 24 | NODICELLA SERRA 1/8 | 546 007 561 |
| 25 | NODICELLA SERRA NUMERO 25 | 546 007 561 |
| 26 | NODICELLA SERRA NUMERO 26 | 546 007 561 |
| 27 | NODICELLA SERRA NUMERO 27 | 546 007 561 |
| 28 | NODICELLA SERRA NUMERO 28 | 546 007 561 |
| 29 | NODICELLA SERRA NUMERO 29 | 546 007 561 |
| 30 | NODICELLA SERRA NUMERO 30 | 546 007 561 |
| 31 | NODICELLA SERRA NUMERO 31 | 546 007 561 |
| 32 | NODICELLA SERRA NUMERO 32 | 546 007 561 |
| 33 | NODICELLA SERRA NUMERO 33 | 546 007 561 |
| 34 | NODICELLA SERRA NUMERO 34 | 546 007 561 |
| 35 | NODICELLA SERRA NUMERO 35 | 546 007 561 |
| 36 | NODICELLA SERRA NUMERO 36 | 546 007 561 |
| 37 | NODICELLA SERRA NUMERO 37 | 546 007 561 |
| 38 | NODICELLA SERRA NUMERO 38 | 546 007 561 |
| 39 | NODICELLA SERRA NUMERO 39 | 546 007 561 |
| 40 | NODICELLA SERRA NUMERO 40 | 546 007 561 |
| 41 | NODICELLA SERRA NUMERO 41 | 546 007 561 |
| 42 | NODICELLA SERRA NUMERO 42 | 546 007 561 |
| 43 | NODICELLA SERRA NUMERO 43 | 546 007 561 |
| 44 | NODICELLA SERRA NUMERO 44 | 546 007 561 |
| 45 | NODICELLA SERRA NUMERO 45 | 546 007 561 |
| 46 | NODICELLA SERRA NUMERO 46 | 546 007 561 |
| 47 | NODICELLA SERRA NUMERO 47 | 546 007 561 |
| 48 | NODICELLA SERRA NUMERO 48 | 546 007 561 |
| 49 | NODICELLA SERRA NUMERO 49 | 546 007 561 |
| 50 | NODICELLA SERRA NUMERO 50 | 546 007 561 |
| 51 | NODICELLA SERRA NUMERO 51 | 546 007 561 |
| 52 | NODICELLA SERRA NUMERO 52 | 546 007 561 |
| 53 | NODICELLA SERRA NUMERO 53 | 546 007 561 |
| 54 | NODICELLA SERRA NUMERO 54 | 546 007 561 |
| 55 | NODICELLA SERRA NUMERO 55 | 546 007 561 |
| 56 | NODICELLA SERRA NUMERO 56 | 546 007 561 |
| 57 | NODICELLA SERRA NUMERO 57 | 546 007 561 |
| 58 | NODICELLA SERRA NUMERO 58 | 546 007 561 |
| 59 | NODICELLA SERRA NUMERO 59 | 546 007 561 |
| 60 | NODICELLA SERRA NUMERO 60 | 546 007 561 |
| 61 | NODICELLA SERRA NUMERO 61 | 546 007 561 |
| 62 | NODICELLA SERRA NUMERO 62 | 546 007 561 |
| 63 | NODICELLA SERRA NUMERO 63 | 546 007 561 |
| 64 | NODICELLA SERRA NUMERO 64 | 546 007 561 |
| 65 | NODICELLA SERRA NUMERO 65 | 546 007 561 |
| 66 | NODICELLA SERRA NUMERO 66 | 546 007 561 |
| 67 | NODICELLA SERRA NUMERO 67 | 546 007 561 |
| 68 | NODICELLA SERRA NUMERO 68 | 546 007 561 |
| 69 | NODICELLA SERRA NUMERO 69 | 546 007 561 |
| 70 | NODICELLA SERRA NUMERO 70 | 546 007 561 |
| 71 | NODICELLA SERRA NUMERO 71 | 546 007 561 |
| 72 | NODICELLA SERRA NUMERO 72 | 546 007 561 |
| 73 | NODICELLA SERRA NUMERO 73 | 546 007 561 |
| 74 | NODICELLA SERRA NUMERO 74 | 546 007 561 |
| 75 | NODICELLA SERRA NUMERO 75 | 546 007 561 |
| 76 | NODICELLA SERRA NUMERO 76 | 546 007 561 |
| 77 | NODICELLA SERRA NUMERO 77 | 546 007 561 |
| 78 | NODICELLA SERRA NUMERO 78 | 546 007 561 |
| 79 | NODICELLA SERRA NUMERO 79 | 546 007 561 |
| 80 | NODICELLA SERRA NUMERO 80 | 546 007 561 |
| 81 | NODICELLA SERRA NUMERO 81 | 546 007 561 |
| 82 | NODICELLA SERRA NUMERO 82 | 546 007 561 |
| 83 | NODICELLA SERRA NUMERO 83 | 546 007 561 |
| 84 | NODICELLA SERRA NUMERO 84 | 546 007 561 |
| 85 | NODICELLA SERRA NUMERO 85 | 546 007 561 |
| 86 | NODICELLA SERRA NUMERO 86 | 546 007 561 |
| 87 | NODICELLA SERRA NUMERO 87 | 546 007 561 |
| 88 | NODICELLA SERRA NUMERO 88 | 546 007 561 |
| 89 | NODICELLA SERRA NUMERO 89 | 546 007 561 |
| 90 | NODICELLA SERRA NUMERO 90 | 546 007 561 |
| 91 | NODICELLA SERRA NUMERO 91 | 546 007 561 |
| 92 | NODICELLA SERRA NUMERO 92 | 546 007 561 |
| 93 | NODICELLA SERRA NUMERO 93 | 546 007 561 |
| 94 | NODICELLA SERRA NUMERO 94 | 546 007 561 |
| 95 | NODICELLA SERRA NUMERO 95 | 546 007 561 |
| 96 | NODICELLA SERRA NUMERO 96 | 546 007 561 |
| 97 | NODICELLA SERRA NUMERO 97 | 546 007 561 |
| 98 | NODICELLA SERRA NUMERO 98 | 546 007 561 |
| 99 | NODICELLA SERRA NUMERO 99 | 546 007 561 |
| 100 | NODICELLA SERRA NUMERO 100 | 546 007 561 |



HORQUILLA TRIAL REV-80

15.08134. 0.00

RECAMBIOS

Revisión: 03-03-03

CÓDIGO	DESCRIPCIÓN	CANTIDAD	PRECIO	CÓDIGO	DESCRIPCIÓN	CANTIDAD	PRECIO
16.18650. 0.00	BOTELLA DERECHA HORQUILLA 15.08133/15.08134	1		29.50177. 0.57	PLETINA SUPERIOR HORQUILLA 15.08134/15.08133	1	
16.18392. 0.00	BOTELLA IZQUIERDA HORQUILLA 15.08113/14	1		10.67525. 0.00	RETEN HORQUILLA 15.08134/15.08133	2	
12.32970. 0.00	GRUPO MECANICO HORQ. 15.08134 REV-80	2		10.41472. 0.00	GUARDAPOLVO HORQUILLA 15.08134/15.08133	2	
12.09736. 0.57	PLETINA C/TUBO HORQUILLA REV 80/50 15.08133/15.08134	1		22.52773. 0.00	MUELLE HORQUILLA 15.08134/15.08133	2	
16.00967. 0.00	BRAZO COMPLETO DX (15.08134) REV-80	1		29.40460. 0.00	BARRA HORQUILLA 15.08134 REV-80	2	
16.00938. 0.00	BRAZO COMPLETO SX (15.08134) REV-80	1		29.01887. 0.00	TAPON HORQUILLA 15.08134/15.08133	2	