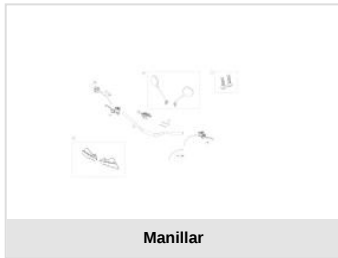


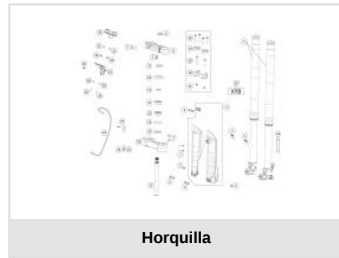


MR 300 RACING BLACK 2022

Despiece



Manillar



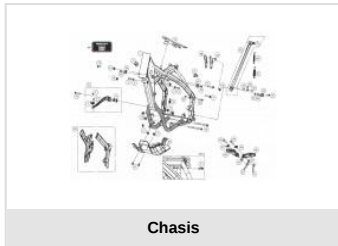
Horquilla



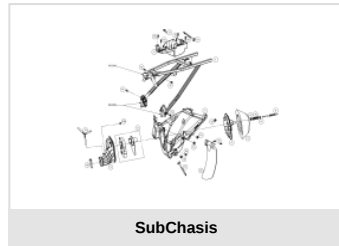
Repuestos Horquilla



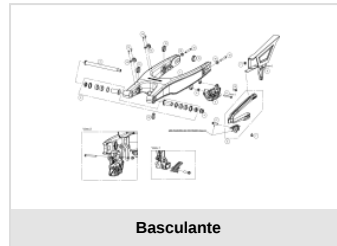
Herramientas KYB



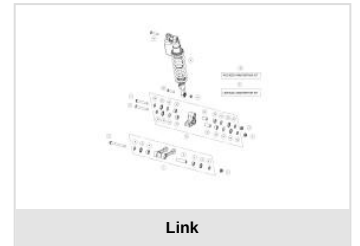
Chasis



SubChasis



Basculante



Link



Amortiguador



Radiador



Parte Eléctrica



Guardabarros delantero



Faro Delantero



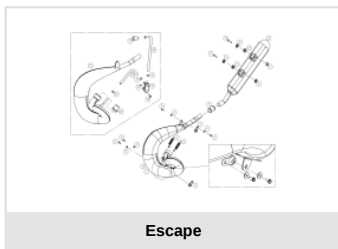
Depósito



Plástica Trasera



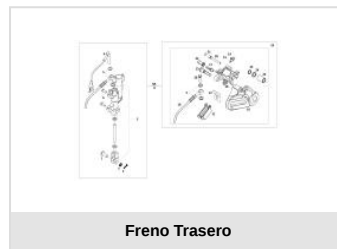
Adhesivos



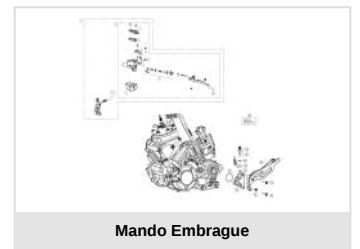
Escape



Freno Delantero



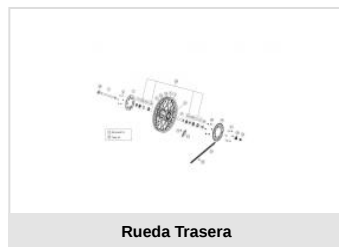
Freno Trasero



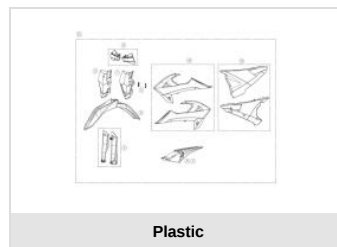
Mando Embrague



Rueda Delantera



Rueda Trasera



Plastic



Accesorios



Kit Electroventilador

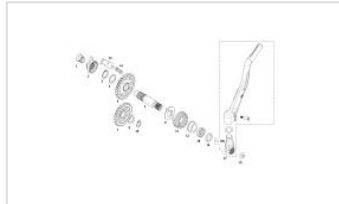


CALCA ESCAPE

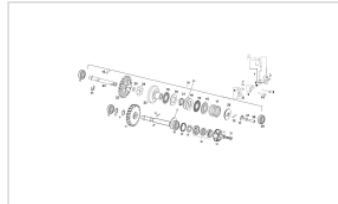


CALCAS LENTICULAR LATERAL

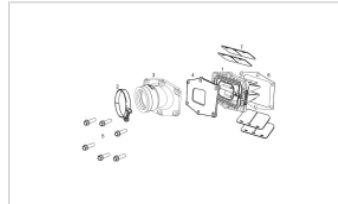
ENGINE MR 2022 V1



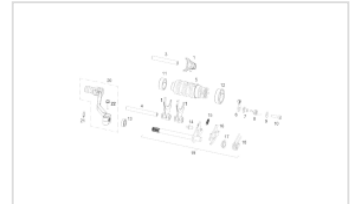
Palanca de arranque



Bomba de agua



Válvula de láminas



Eje de Cambio



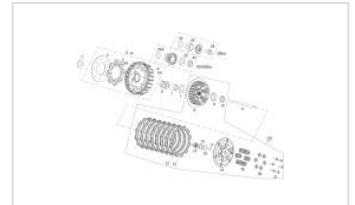
Cárter de Motor



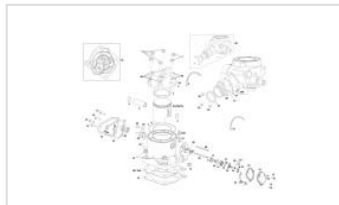
Generador



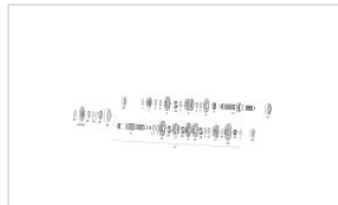
Cigüeñal



Embrague



Cilindro



Cambio

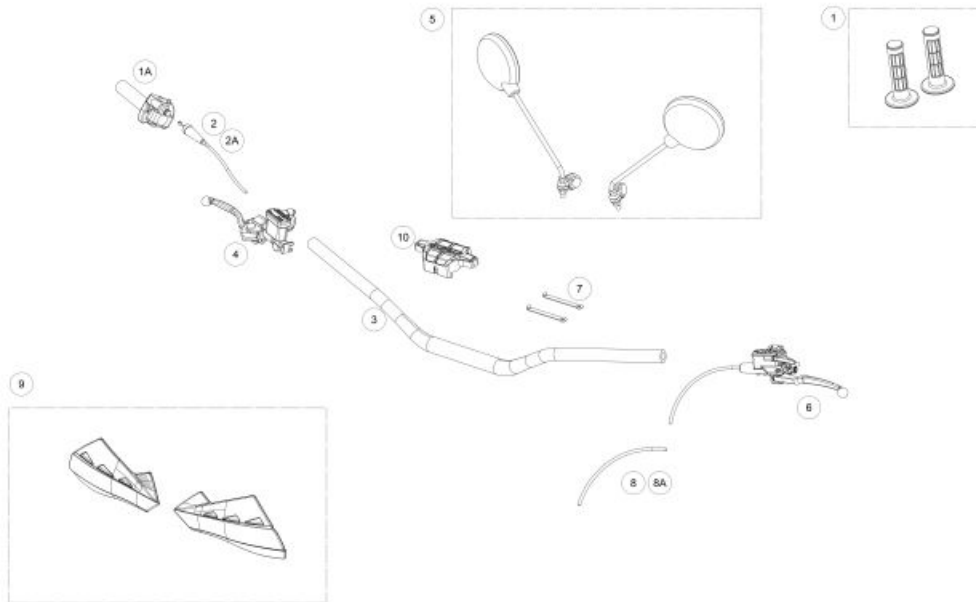


Carburador



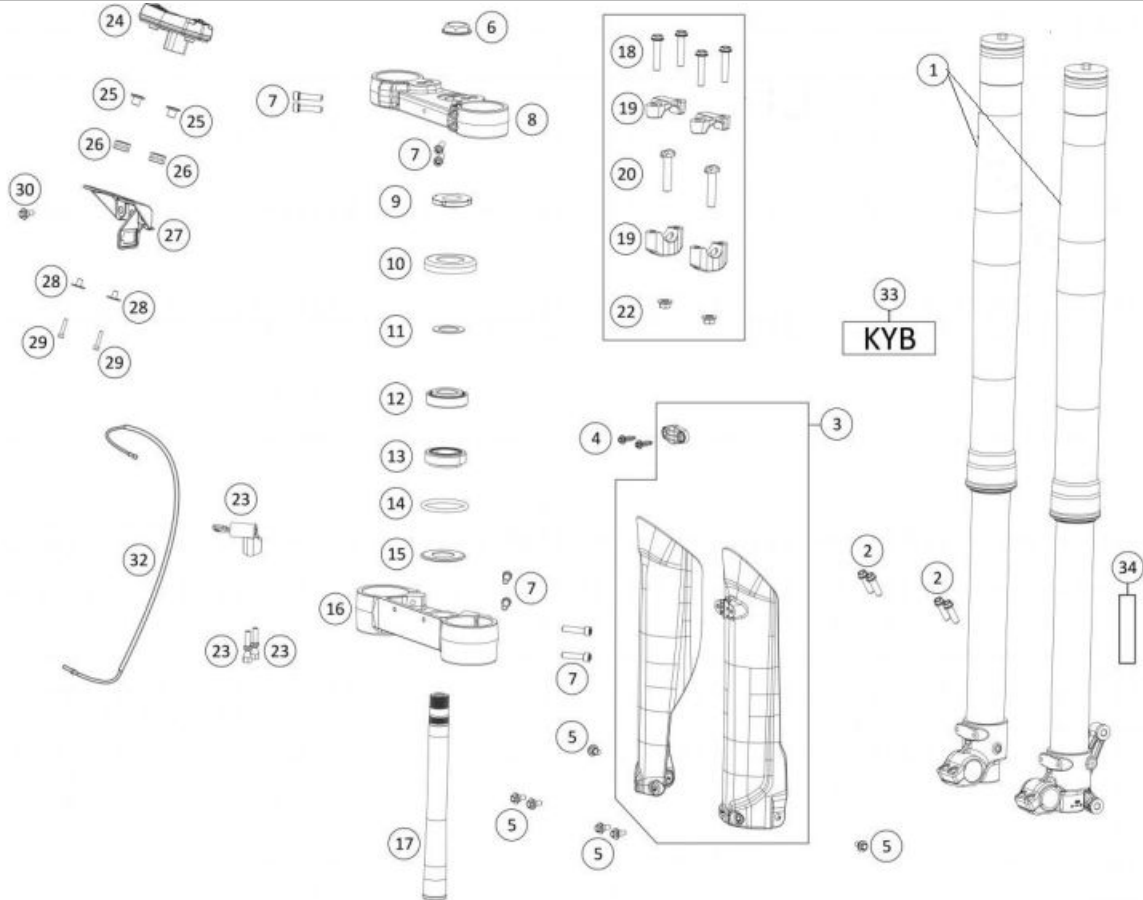
Herramientas Motor

Manillar



1	<ul style="list-style-type: none"> JUEGO EMPUÑADURAS NEGRO 0/000.530.9101 (u. 1) 	
1A	<ul style="list-style-type: none"> PUÑO GAS TT (3291.03.00-1) 0/000.530.9100 (u. 1) 	
2	<ul style="list-style-type: none"> CABLE DE GAS ENDURO 2018 0/000.550.9101 (u. 1) 	
2A	<ul style="list-style-type: none"> CABLE DE GAS ENDURO 2018 DE HOMOLOGACION 0/000.550.9102 (u. 1) 	
3	<ul style="list-style-type: none"> MANILLAR ENDURO SIN BARRA 2019 0/000.170.9101 (u. 1) 	
4	<ul style="list-style-type: none"> BOMBA FRENO DEL.NISSIN=BC25922008/2 0/000.820.9106 (u. 1) BOMBA FRENO DEL.NISSIN=BC25922008 BC25922008/2 (u. 1) 	OBSOLETA
5	<ul style="list-style-type: none"> CTO.ESPEJO RETROVISOR(REG 81) 0/000.990.9100 (u. 1) 	
6	<ul style="list-style-type: none"> CTO.EMBR.EC MAGURA 9.5 (167) 0/000.830.9101 (u. 1) 	
7	<ul style="list-style-type: none"> GOMA SUJ.CABLEADOS 0/000.360.9110 (u. 2) ABRAZADERA LARGA FIJ.INST.2237 0/000.680.0060 (u. 2) 	
8A	<ul style="list-style-type: none"> CABLE STARTER ENDURO 2018 0/000.550.9100 (u. 1) 	
9	<ul style="list-style-type: none"> CTO. PARAMANOS POLISPORT BL.S BE90000223012 (u. 1) 	
10	<ul style="list-style-type: none"> ESPUMA MANILLAR MR 2020 0/000.220.9105 (u. 1) 	

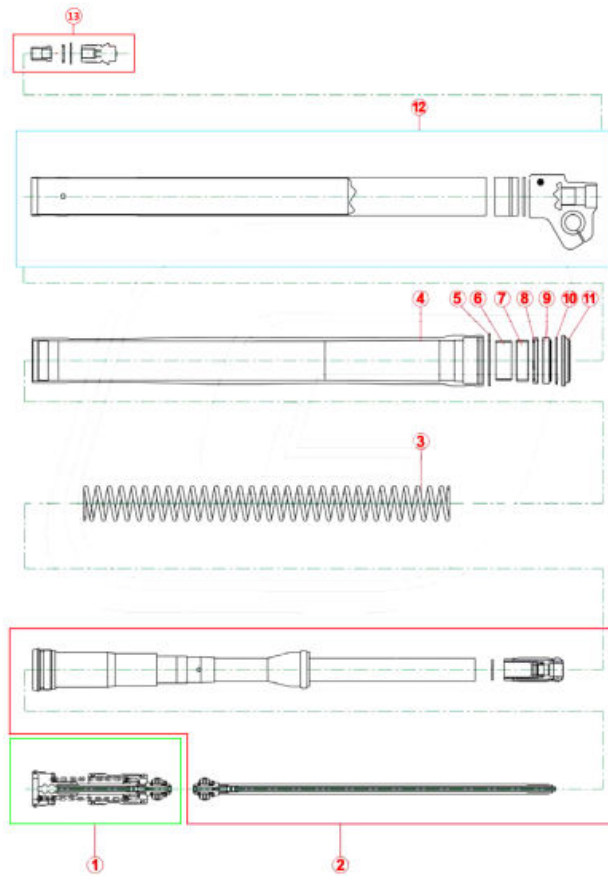
Horquilla



- | | |
|----|--|
| 1 | <ul style="list-style-type: none"> ● CJTO. SUSPENSION MR RACING
0/K00.130.9100 (u. 1) |
| 2 | <ul style="list-style-type: none"> ● TORN.ESP.8X25 GEOMET 10.9
0/000.460.9137 (u. 4) |
| 3 | <ul style="list-style-type: none"> ● JUEGO PROT.HORQ. NEGRO MR
0/000.220.9118 (u. 1) |
| 4 | <ul style="list-style-type: none"> ● TORNILLO DEPÓSITO - SILLÍN Ø6x23 (EJOT ref. 05100519)
T0806023 (u. 2) ● TORNILLO ESPECIAL ROSCA PLASTICO CABOTA HEXAGONAL CON ARANDELA 6X20
T0806020 (u. 2) |
| 5 | <ul style="list-style-type: none"> ● TORN.ESP.6X8 DRACOMET
0/000.460.9162 (u. 6) |
| 6 | <ul style="list-style-type: none"> ● TUERCA DIR.SUP.
0/000.340.9102 (u. 1) |
| 7 | <ul style="list-style-type: none"> ● ALLEN 7X30 DIN 912 ZINC 12.9
0/000.460.9151 (u. 10) |
| 8 | <ul style="list-style-type: none"> ● BRIDA SUP.SUSP.NG.
0/000.660.9102 (u. 1) |
| 9 | <ul style="list-style-type: none"> ● TUERCA DIRECCION INFERIOR
0/000.340.9101 (u. 1) |
| 10 | <ul style="list-style-type: none"> ● GUARDAPOLVO COJ.DIR.TT NEGRO
0/000.200.9100 (u. 1) |
| 11 | <ul style="list-style-type: none"> ● ARANDELA DIR.INF.
0/000.440.9101 (u. 1) |
| 12 | <ul style="list-style-type: none"> ● COJINETE DIR.30205A
0/000.960.9101 (u. 1) |
| 13 | <ul style="list-style-type: none"> ● COJINETE DIR.INF.320/28
0/000.960.9100 (u. 1) |

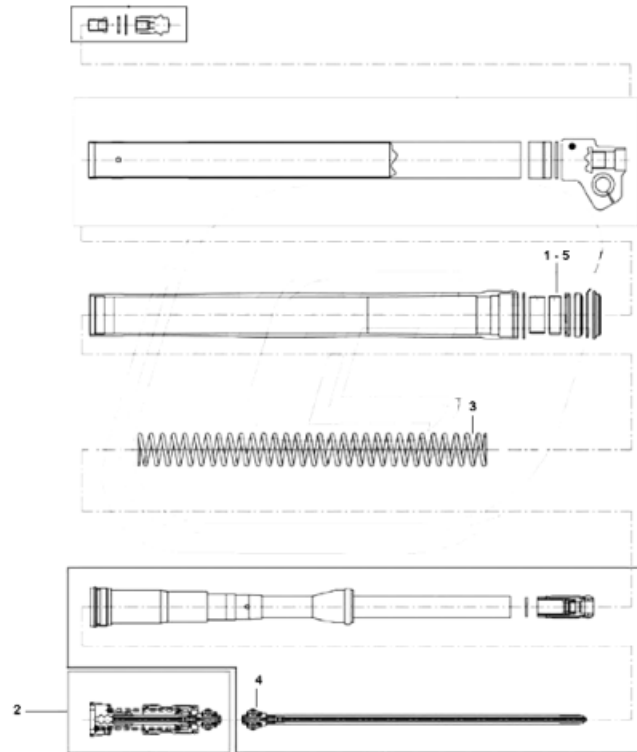
14	<ul style="list-style-type: none"> TORICA DIR.50X5 0/000.490.9102 (u. 1) 	
15	<ul style="list-style-type: none"> CAZOLETA DIR.D28 0/000.200.9101 (u. 1) 	
16	<ul style="list-style-type: none"> BRIDA INF.SUSP.NG. 0/000.660.9100 (u. 1) 	
17	<ul style="list-style-type: none"> EJE DIRECCION 0/000.190.9100 (u. 1) 	
18	<ul style="list-style-type: none"> TORN.ESP.8X40 GEOMET 10.9 0/000.460.9140 (u. 4) 	
19	<ul style="list-style-type: none"> KIT PUENTES SUPERIOR MANILLAR ANODIZADO NATURAL MR 0/K00.350.9101 (u. 1) 	
20	<ul style="list-style-type: none"> TORN.ESP.10X45 BRIDA INF. G5 12.9 0/000.460.9113 (u. 2) 	
22	<ul style="list-style-type: none"> TUERCA DIN 6926 M10 Cal.8 Z/BLANCO 0/000.340.0182 (u. 2) 	
	<ul style="list-style-type: none"> TUERCA AUTOB.M10 PASO 1.50 ARAND. DIN 6926 ZINC 8 0/000.340.9124 (u. 2) 	
23	<ul style="list-style-type: none"> KIT BLOQUEO DIRECCION ENDURO 2018 BE15025CT-CLJ-1 (u. 1) 	
24	<ul style="list-style-type: none"> CTO.MULTIFUNCION "EVEREST" EC 2018 0/001.000.9100 (u. 1) 	
25	<ul style="list-style-type: none"> CASQ.ALUMINIO SILENBLOCK FIJ.RAD. 0/000.480.9116 (u. 2) 	
26	<ul style="list-style-type: none"> GOMA SILENBLOCK CUENTA KM 0/000.360.4002 (u. 2) 	
	<ul style="list-style-type: none"> GOMA SILENBLOCK CUENTA KM 0/000.360.4002 (u. 2) 	
	<ul style="list-style-type: none"> GOMAS RAD.A CHASIS =BE25632003 0/000.360.9112 (u. 2) 	OBSOLETA
	<ul style="list-style-type: none"> GOMA SILENBLOCK CUENTA KM 0/000.360.4002 (u. 2) 	
27	<ul style="list-style-type: none"> SOPORTE MULTIFUNCION 0/000.980.9108 (u. 1) 	
28	<ul style="list-style-type: none"> CASQ.GOMA MULTIFUNION ENDURO 2018 0/000.480.9118 (u. 2) 	
29	<ul style="list-style-type: none"> TORNILLO ISO 7380 Torx T-20 M4x20 INOX 0/000.460.0079 (u. 2) 	
	<ul style="list-style-type: none"> ALLEN 4X16 DIN 912 INOX A2 0/000.460.9143 (u. 2) 	OBSOLETA
	<ul style="list-style-type: none"> TORNILLO ISO 7380 Torx T-20 M4x20 INOX 0/000.460.0079 (u. 2) 	
30	<ul style="list-style-type: none"> TORN.ESP.6x7 DRACOMET 0/000.460.9161 (u. 1) 	
32	<ul style="list-style-type: none"> SENSOR CUENTA KM ENDURO 0/001.010.9100 (u. 1) 	
33	<ul style="list-style-type: none"> KIT ADH.BARRAS KAYABA ENDURO 2018 BE95285GG-CLJ-1 (u. 1) 	
34	<ul style="list-style-type: none"> CATADRIOPTICO ADHESIVO (8159) 0/000.630.9102 (u. 2) 	

Repuestos Horquilla



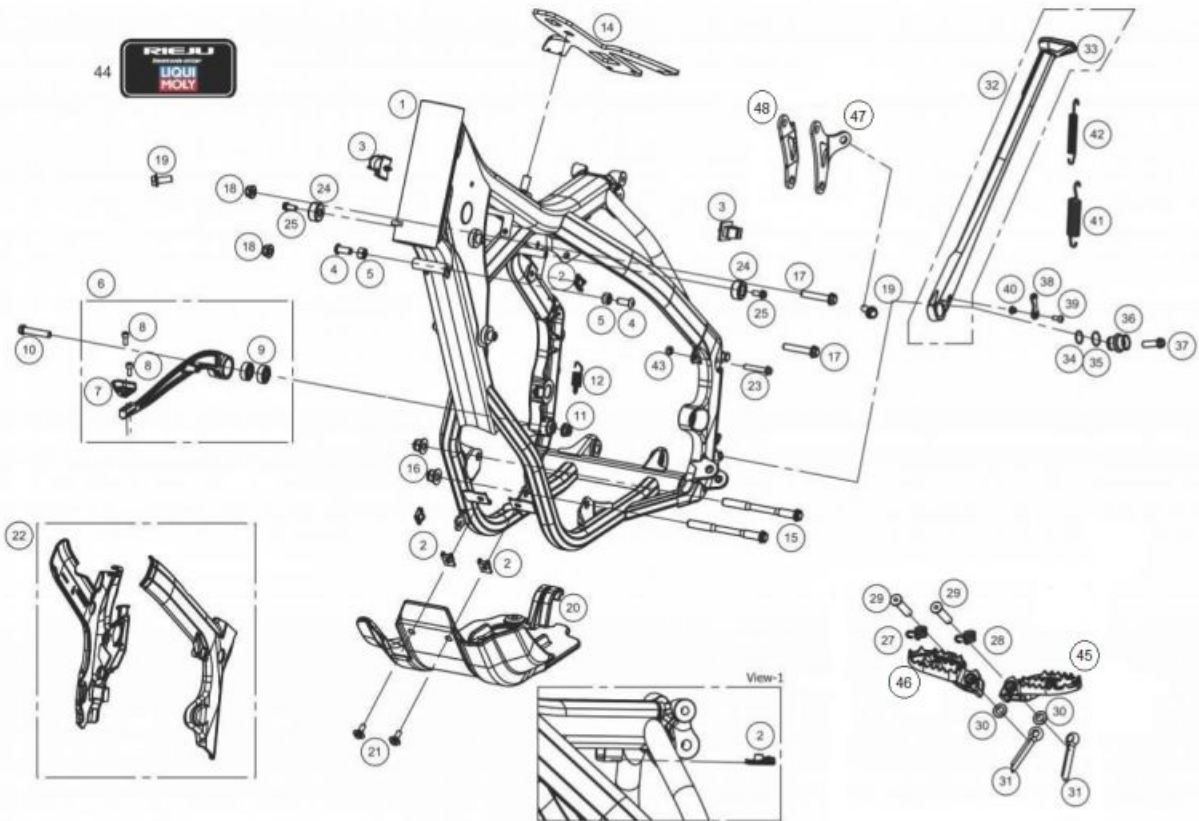
1	<ul style="list-style-type: none"> CTO.TAPON CARTUCHO SUSPENSION KAYABA ENDURO BE20240CT-CLJ-1 (u. 1)
2	<ul style="list-style-type: none"> CTO.HIDRAULICO SUSPENSION KAYABA ENDURO BE20220GG-CLJ-1 (u. 1)
3A	<ul style="list-style-type: none"> CTO.MUELLES SUSPENSION 4.0 KAYABA ENDURO BE20170CT-CLJ-1 (u. 1)
3B	<ul style="list-style-type: none"> CTO.MUELLES SUSPENSION 4.2 KAYABA ENDURO BE20171CT-CLJ-1 (u. 1)
3C	<ul style="list-style-type: none"> CTO.MUELLE SUSPENSION 4.4 KAYABA ENDURO BE20172CT-CLJ-1 (u. 1)
4	<ul style="list-style-type: none"> CTO.BOTELLA SUSPENSION KAYABA ENDURO BE20100CT-CLJ-1 (u. 1)
5	<ul style="list-style-type: none"> ANILLO RETENCION SUSPENSION KAYABA ENDURO BE20145GG-CLJ-1 (u. 1)
6	<ul style="list-style-type: none"> GLACIER BOTELLA SUSPENSION KAYABA ENDURO BE20150GG-CLJ-1 (u. 1)
7	<ul style="list-style-type: none"> GLACIER BARRA SUSPENSION KAYABA ENDURO BE20151GG-CLJ-1 (u. 1)
8	<ul style="list-style-type: none"> ARANDELA SUSPENSION KAYABA ENDURO BE20186GG-CLJ-1 (u. 1)
9	<ul style="list-style-type: none"> CTO.RETENES SUSPENSION KAYABA ENDURO BE20140CT-CLJ-1 (u. 1)
10	<ul style="list-style-type: none"> CTO. CIRCLIP SUSPENSION KAYABA ENDURO BE20135GG-CLJ-1 (u. 1)
11	<ul style="list-style-type: none"> CTO.GUARDAPOLVO SUSPENSION KAYABA ENDURO BE20130CT-CLJ-1 (u. 1)
12A	<ul style="list-style-type: none"> CTO.BARRA SUSPENSION DERECHA KAYABA ENDURO BE20110CT-CLJ-1 (u. 1)

12B	<ul style="list-style-type: none">CTO.BARRA SUSPENSION IZQUIERDA KAYABA ENDURO BE20115CT-CLJ-1 (u. 1)
13	<ul style="list-style-type: none">TAPON REGULACION EXTENSION SUSPENSION KAYABA ENDURO BE20120GG-CLJ-1 (u. 1)

Herramientas KYB


- | | |
|---|--|
| 1 | <ul style="list-style-type: none"> UTIL RETEN SUSPENSION KAYABA ENDURO
BE20225GG-CLJ-1 (u. 1) |
| 2 | <ul style="list-style-type: none"> LLAVE TAPON SUSPENSION KAYABA ENDURO
BE21105GG-CLJ-1 (u. 1) |
| 3 | <ul style="list-style-type: none"> UTIL SOPORTE PISTON AJUSTE SUSPENSION KAYABA ENDURO
BE20230GG-CLJ-1 (u. 1) |
| 4 | <ul style="list-style-type: none"> LLAVE TAPON CARTUCHO SUSPENSION KAYABA ENDURO
BE21106GG-CLJ-1 (u. 1) |
| 5 | <ul style="list-style-type: none"> UTIL INSERTADOR RETEN SUSPENSION KAYABA ENDURO
BE20235GG-CLJ-1 (u. 1) |

Chasis

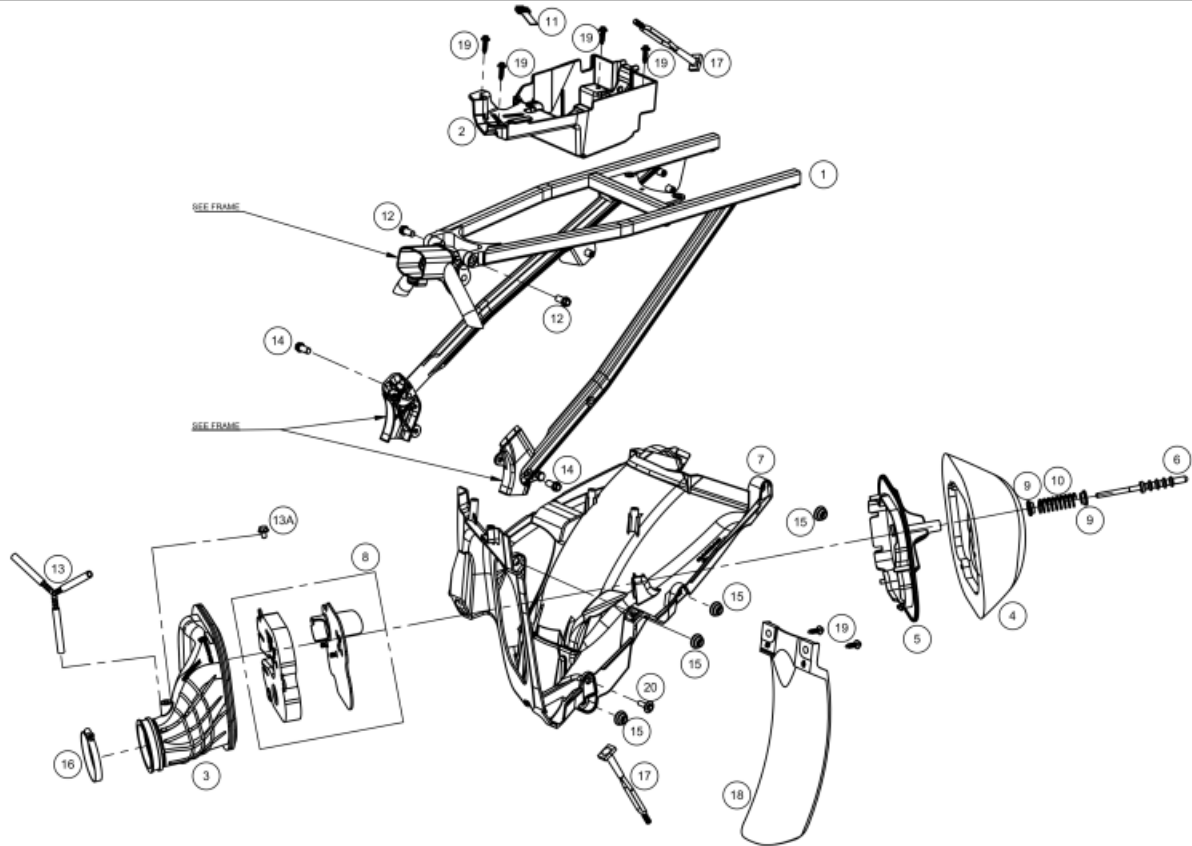


- | | |
|----|--|
| 1 | <ul style="list-style-type: none"> ● CHASIS EC 250 300 2T 2018 NEGRO
0/000.010.9100 (u. 1) |
| 2 | <ul style="list-style-type: none"> ● TUERCA NUT 956 RAPIDA M-6 HRC 40/48
0/000.340.9120 (u. 5) |
| 3 | <ul style="list-style-type: none"> ● CLIP (1E3J) SUJECIÓN INSTALACIÓN ENDURO 2018
0/000.630.9100 (u. 2) |
| 4 | <ul style="list-style-type: none"> ● ULS 8x25 ISO 7380-1 ZN 10.9
0/000.460.9157 (u. 2) |
| 5 | <ul style="list-style-type: none"> ● TUERCA tope DIR.M8x13x8 ISO 4033 ZINC
0/000.340.9109 (u. 2) |
| 6 | <ul style="list-style-type: none"> ● PEDAL FRENO ENDURO 2018
0/000.730.9100 (u. 1) |
| 7 | <ul style="list-style-type: none"> ● PUNTERA PEDAL FRENO
BE130102510 (u. 1) |
| 9 | <ul style="list-style-type: none"> ● RODAMIENTO 628-2RS
BE13025GG-CLJ-1 (u. 2) |
| 10 | <ul style="list-style-type: none"> ● TORN.ESP.8X40 GEOMET 10.9
0/000.460.9140 (u. 1) |
| 12 | <ul style="list-style-type: none"> ● MUELLE PEDAL FRENO 2014
0/000.470.9100 (u. 1) |
| 14 | <ul style="list-style-type: none"> ● GOMA PROT.DEP.GASOL.ENDURO 2018
0/000.220.9116 (u. 1) |
| 15 | <ul style="list-style-type: none"> ● TORNILLO MOTOR M10x113 GEOMET 10.9
0/000.460.9132 (u. 2) |
| 16 | <ul style="list-style-type: none"> ● TUERCA AUTOB.M10 PASO 1.25 ZINC 8
0/000.340.9123 (u. 2) |
| 17 | <ul style="list-style-type: none"> ● TORNILLO ESPECIAL 8X50 GEOMET 10.9
0/000.460.9141 (u. 1) |

	<ul style="list-style-type: none"> TORNILLO ESPECIAL 8X20 GEOMET 10.9 0/000.460.9136 (u. 4) 	
19	<ul style="list-style-type: none"> ARANDELA PLANA Ø20xØ8,5x1,5 Z/BLANCO 0/000.440.0161 (u. 4) TUERCA DIN 6927 M8 Cal.8 Z/BLANCO 0/000.340.0188 (u. 4) 	
20	<ul style="list-style-type: none"> PROT.CARTER ENDURO 2018 0/000.220.9100 (u. 1) 	
21	<ul style="list-style-type: none"> TORNILLO ESPECIAL ROSCA PLASTICO CABOTA HEXAGONAL 6X12 DRACOMET 0/000.460.9101 (u. 2) 	
22	<ul style="list-style-type: none"> KIT PROTECTORES LATERALES CHASIS MR NEGROS 0/K00.220.9103 (u. 1) KIT PROTECTORES CHASIS NEGRO MR 0/K00.570.9100 (u. 1) 	OBSOLETA
23	<ul style="list-style-type: none"> TORN.ESP.M6X35 DIN 6921 GEOMET 0/000.460.9124 (u. 1) 	
24	<ul style="list-style-type: none"> SILENTBLOCK+ARANDELA DEP.GASOL. 0/000.360.9106 (u. 2) 	
25	<ul style="list-style-type: none"> EXAG+ARANDELA 6x14 DIN 6921 0/000.460.9118 (u. 2) 	
27	<ul style="list-style-type: none"> MUELLE ESTRIBO DCH. 0/000.470.9101 (u. 1) 	
28	<ul style="list-style-type: none"> MUELLE ESTRIBO IZQ. 0/000.470.9102 (u. 1) 	
29	<ul style="list-style-type: none"> CASQUILLO PASADOR ESTRIBOS 0/000.480.9101 (u. 2) 	
30	<ul style="list-style-type: none"> ARANDELA 10,5 X 20 X 2 ZINCADA DIN 125 0/000.440.9133 (u. 2) 	
31	<ul style="list-style-type: none"> PASADOR CLAVIJA DIN 94 0/000.840.9100 (u. 2) 	
32	<ul style="list-style-type: none"> CJTO. CABALLETE MR RACING COMPLETO 0/K00.210.9100 (u. 1) 	
33	<ul style="list-style-type: none"> BASE DEL CABALLETE ENDURO 2018 0/000.570.9100 (u. 1) CJTO. CABALLETE MR RANGER COMPLETO 0/K00.210.9101 (u. 1) 	
34	<ul style="list-style-type: none"> TORICA CASQUILLO CABALLETE 15x1,5 0/000.490.9100 (u. 1) 	
35	<ul style="list-style-type: none"> TORICA CASQUILLO CABALLETE 17x1,5 0/000.490.9101 (u. 1) 	
36	<ul style="list-style-type: none"> CASQ.CAMPANA EMBR. 0/000.480.9121 (u. 1) - NO HOMOLOG CASQ.SUJ.CABALLETE ENDURO 2018 0/000.480.9102 (u. 1) 	
37	<ul style="list-style-type: none"> TORN.ESP.8X25 GEOMET 10.9 0/000.460.9137 (u. 1) TORNILLO ISO 7380 Torx T-40 M8x25 INOX 0/000.460.0081 (u. 1) - NO HOMOLOG 	
38	<ul style="list-style-type: none"> LLEVA CABALLETE ENDURO 2018 0/000.830.9100 (u. 1) 	
39	<ul style="list-style-type: none"> TORNILLO ISO 7380 Torx T-25 con arandela M5x16 INOX 0/000.460.0083 (u. 1) ULS 5X16 ISO 7380-1 ZINC 12.9 0/000.460.9155 (u. 1) 	
40	<ul style="list-style-type: none"> CASQUILLO LLEVA CABALLETE ENDURO 0/000.480.9103 (u. 1) 	

41	● MUELLE EXTERIOR CABALLETE ENDURO 2018 0/000.470.9103 (u. 1)
42	● MUELLE INTERIOR CABALLETE ENDURO 2018 0/000.470.9104 (u. 1)
43	● TUERCA AUTOBL.BAJA M-6 DIN 985 ZN CR3 6 0/000.340.9113 (u. 1)
44	● CALCA RECOMENDACIÓN ACEITE 0/000.390.0000 (u. 1)
45	● KIT ESTRIBERAS MR RACING Y RANGER 0/K00.740.9101 (u. 1)
47	● TIRANTE CULATA LH MR 2022 0/000.980.9126 (u. 1)
48	● TIRANTE CULATA RH MR 2022 0/000.980.9125 (u. 1)

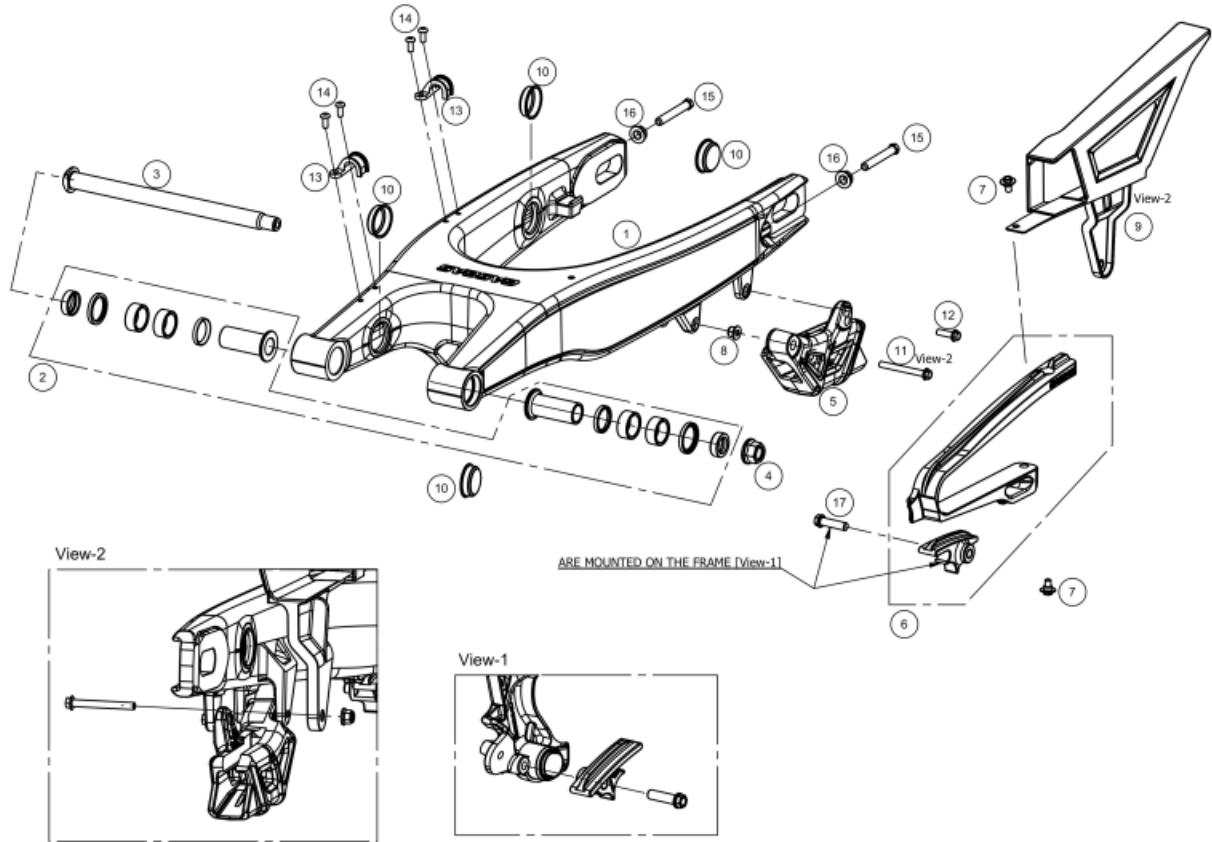
SubChasis



1	<ul style="list-style-type: none"> ● KIT SUBCHASIS EC 2018 CON REMACHES 0/K00.010.9102 (u. 1)
2	<ul style="list-style-type: none"> ● SOP.BATERIA -CDI-RELE ARRANQUE EC 2018 0/000.570.9101 (u. 1)
3	<ul style="list-style-type: none"> ● TUBERA C.FILTRO.EC 2018 0/000.360.9113 (u. 1)
4	<ul style="list-style-type: none"> ● FILTRO AIRE EC 2018 (OEM158084X) 0/001.070.9100 (u. 1)
5	<ul style="list-style-type: none"> ● ARAÑA FILTRO EC 2018 0/000.570.9104 (u. 1)
6	<ul style="list-style-type: none"> ● VARILLA FILTRO AIRE EC-2007 BE250728003 (u. 1)
7	<ul style="list-style-type: none"> ● C.FILTRO.ENDURO 2018 0/000.570.9103 (u. 1)
8	<ul style="list-style-type: none"> ● KIT RESTRICTOR FILTRO DE AIRE BE79800CT-CLJ-1 (u. 1)
9	<ul style="list-style-type: none"> ● ARAND.NYLON TOPE MUELLE C.FILTRO.EC-2007 0/000.440.9100 (u. 2)
10	<ul style="list-style-type: none"> ● MUELLE VARILLA C.FILTRO.EC-2007 0/000.470.9105 (u. 1)
11	<ul style="list-style-type: none"> ● GOMA SUJ.CDI 0/000.360.9101 (u. 1)
12	<ul style="list-style-type: none"> ● TORN.ESP.8X25 GEOMET 10.9 0/000.460.9137 (u. 2)
13A	<ul style="list-style-type: none"> ● TORN.ESP.DE PLASTICO NG.M6X12 0/000.460.9109 (u. 1)
13	<ul style="list-style-type: none"> ● CTO.TUBO DESVAPORIZADOR BLOW BY ENDURO 2018 0/000.290.9106 (u. 1)

14	<ul style="list-style-type: none"> ● TORN.ESP.8X16 GEOMET 10.9 0/000.460.9135 (u. 2)
15	<ul style="list-style-type: none"> ● SILENTBLOCK PORTANUMS.IZQ.ENDURO 2018 0/000.360.9109 (u. 4)
16	<ul style="list-style-type: none"> ● ABRAZ.50-70/9 W2 FILTRO AIRE/CARB. INOX FE 0/000.680.9101 (u. 1)
17	<ul style="list-style-type: none"> ● GOMA CABALLETE EC 2015 0/000.360.9100 (u. 2)
18	<ul style="list-style-type: none"> ● PROT.AMORT.EC 2018 0/000.220.9117 (u. 1)
19	<ul style="list-style-type: none"> ● TORNILLO DEPÓSITO - SILLÍN Ø6x23 (EJOT ref. 05100519) T0806023 (u. 6)
	<ul style="list-style-type: none"> ● TORNILLO ESPECIAL ROSCA PLASTICO CABOTA HEXAGONAL CON ARANDELA 6X20 T0806020 (u. 6)
20	<ul style="list-style-type: none"> ● TORN.ESP.6X16 DRACOMET 0/000.460.9100 (u. 1)
21	<ul style="list-style-type: none"> ● DESVAP.CARTER D.3=ME25610012 0/000.630.9105 (u. 1)

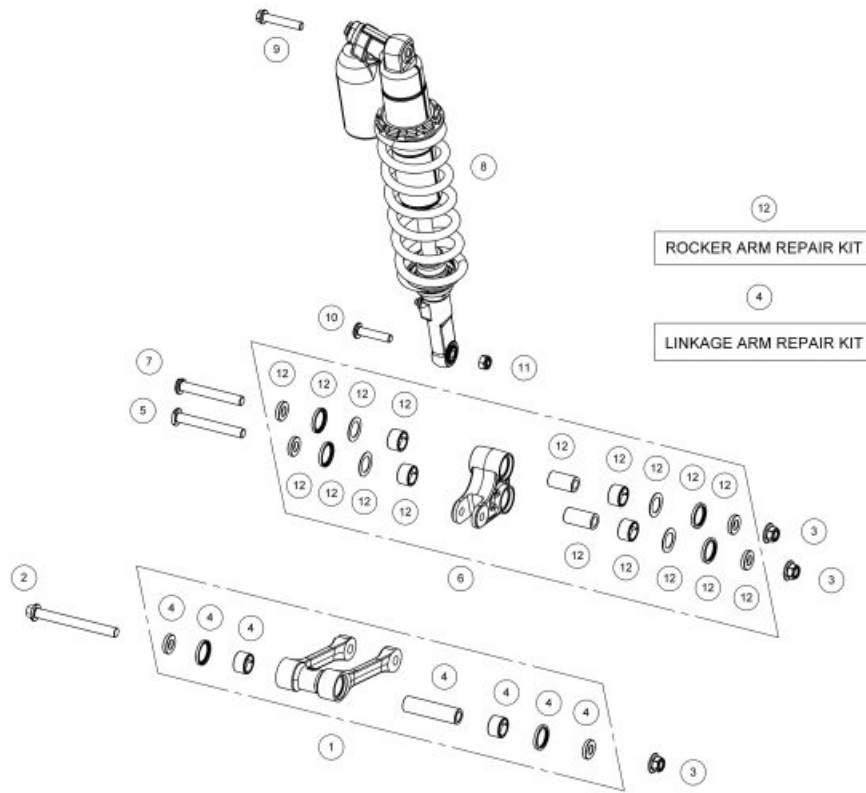
Basculante



1	<ul style="list-style-type: none"> BASCULANTE ENDURO 2018 0/000.020.9100 (u. 1) 	
2	<ul style="list-style-type: none"> KIT REPARACION BASCULANTE BE41000CT-CLJ-1 (u. 1) 	
3	<ul style="list-style-type: none"> EJE BASCULANTE ENDURO 2018 0/000.190.9101 (u. 1) 	
4	<ul style="list-style-type: none"> TUERCA BASC.TT 49650 0/000.340.9103 (u. 1) 	
5	<ul style="list-style-type: none"> GUIA CADENA MR 0/000.710.9100 (u. 1) 	
6	<ul style="list-style-type: none"> KIT PATIN CADENA 3 COMP. BE43015CT-CLJ-1 (u. 1) 	
7	<ul style="list-style-type: none"> TORN.ESP.6x7 DRACOMET 0/000.460.9161 (u. 2) 	
8	<ul style="list-style-type: none"> TUERCA DIN 6926 M6 Cal.8 Z/BLANCO 0/000.340.0170 (u. 1) 	
	<ul style="list-style-type: none"> TUERCA AUTOBLOC. M-6 C/ARAND DIN-6926 ZINC 0/000.340.9117 (u. 1) 	
	<ul style="list-style-type: none"> TUERCA DIN 6926 M6 Cal.8 Z/BLANCO 0/000.340.0170 (u. 1) 	OBSOLETA
9	<ul style="list-style-type: none"> PROT.CADENA HOMOL.EC 2018 0/000.220.9107 (u. 1) 	
10	<ul style="list-style-type: none"> TAP.BASCUL.EC 2018 (465658) 0/000.410.9100 (u. 4) 	
11	<ul style="list-style-type: none"> TORN.ESP.6X55 DIN 6921 DRACOMET 8.8 0/000.460.9127 (u. 1) 	
12	<ul style="list-style-type: none"> TORN.ESP.6x20 DIN 6921 GEOMET 10.9 0/000.460.9120 (u. 1) 	
13	<ul style="list-style-type: none"> SUJ.LATIG.SOBRE BASC. 0/000.630.9101 (u. 2) 	

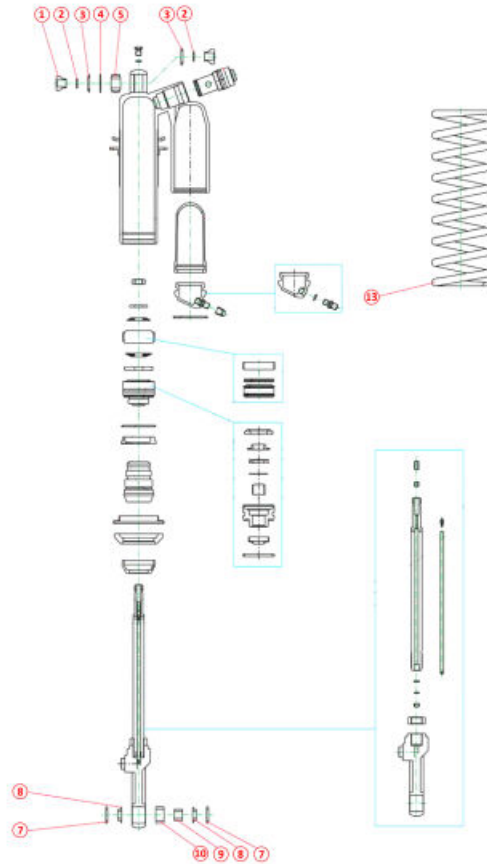
14	<ul style="list-style-type: none">● TORN.ESP.+ARAND.5x15 DIN 6921 GEOMET 10.9 0/000.460.9115 (u. 4)
15	<ul style="list-style-type: none">● TORN.TENSOR RUEDA FSR450-2007 0/000.460.9105 (u. 2)
16	<ul style="list-style-type: none">● TUERCA ESTRIADA M-8 DIN 6927 ACERO 8 0/000.340.9118 (u. 2)
17	<ul style="list-style-type: none">● TORNILLO ESPECIAL 8X35 GEOMET 10.9 0/000.460.9139 (u. 1)

Link



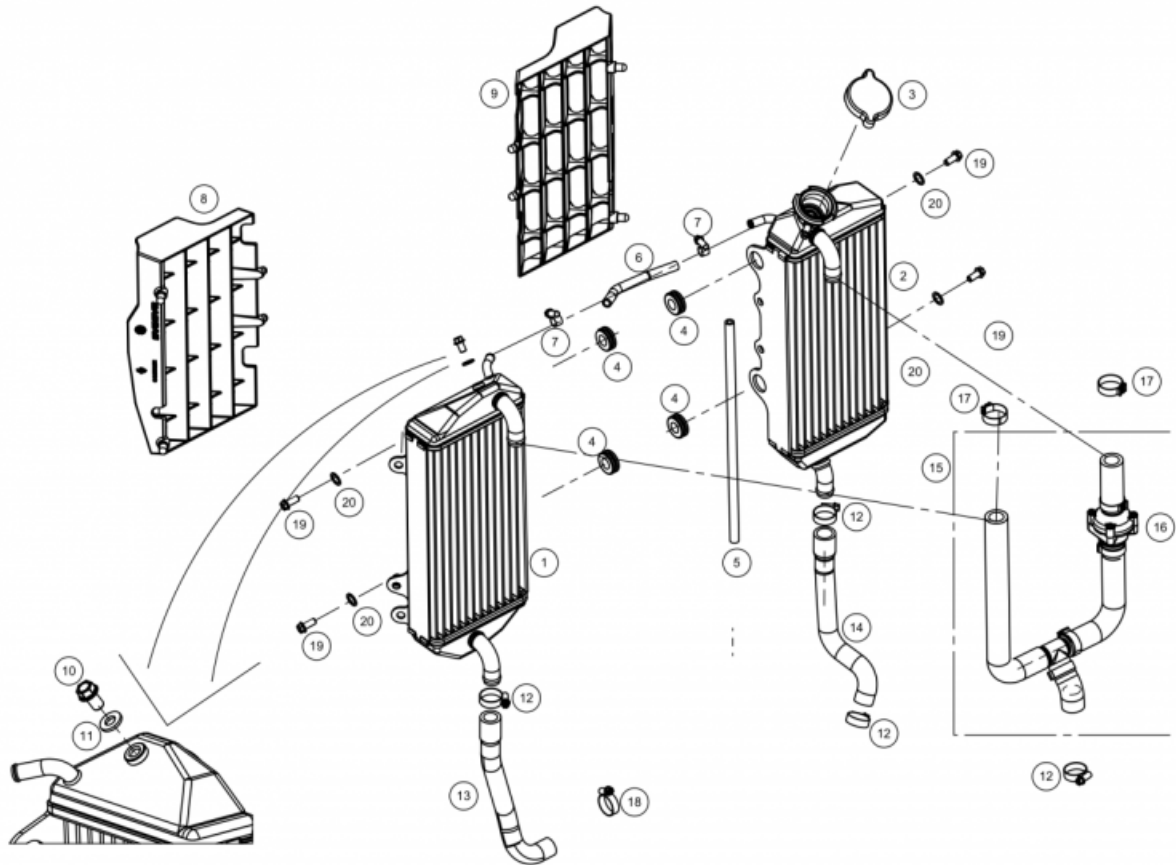
1	<ul style="list-style-type: none"> CTO.BIELETA ENDURO 2018 BE34000CT-CLJ-1 (u. 1)
2	<ul style="list-style-type: none"> TORN.EJE BIELETA CHASIS (CM12X1.25X116.2, 12.9) 0/000.460.9102 (u. 1)
3	<ul style="list-style-type: none"> TUERCA M12x1.25 DIN 6927 ZINC 0/000.340.9115 (u. 3)
4	<ul style="list-style-type: none"> KIT REPARACION BIELETA ENDURO 2018 BE32035CT-CLJ-1 (u. 1)
5	<ul style="list-style-type: none"> TORNILLO EJE BIELETA BALANCIN 12x95.5 12.9 ISO 898-1 0/000.460.9103 (u. 1)
6	<ul style="list-style-type: none"> CTO. BALANCIN ENDURO 2018 BE32000CT-CLJ-1 (u. 1)
7	<ul style="list-style-type: none"> TORN.EJE BALANCIN BASCUL.22X92.5 0/000.460.9104 (u. 1)
8	<ul style="list-style-type: none"> AMORTIGUADOR EC 2018 KYB 0/000.180.9100 (u. 1)
9	<ul style="list-style-type: none"> PERNO 10X60 ISO 898-1 GEOMET 10.9 0/000.460.9131 (u. 1) PERNO 10X55 10.9 GEOMET ISO 898-1 T0210055 (u. 1)
	OBSOLETA
10	<ul style="list-style-type: none"> TORN.EJE INF.AMORT.20X48.5 0/000.460.9107 (u. 1)
11	<ul style="list-style-type: none"> TUERCA AUTOBLOC.M10X125 DIN 985 ZINC 8 0/000.340.9110 (u. 1)
12	<ul style="list-style-type: none"> KIT REPARACION BALANCIN EC 2018 BE34035CT-CLJ-1 (u. 1)

Amortiguador



1	<ul style="list-style-type: none"> CASQUILLO ROTULA SUPERIOR SUSPENSION KAYABA ENDURO BE20210GG-CLJ-1 (u. 1)
2	<ul style="list-style-type: none"> TORICA ROTULA SUSPENSION KAYABA ENDURO BE30025GG-CLJ-1 (u. 3)
3	<ul style="list-style-type: none"> RETEN ROTULA SUPERIOR SUSPENSION KAYABA ENDURO BE23295GG-CLJ-1 (u. 3)
4	<ul style="list-style-type: none"> ARANDELA ROTULA SUPERIOR SUSPENSION KAYABA ENDURO BE232990GG-CLJ-1 (u. 1)
5	<ul style="list-style-type: none"> ROTULA SUPERIOR AMORTIGUADOR KAYABA ENDURO BE23250GG-CLJ-1 (u. 1)
7	<ul style="list-style-type: none"> GUARDAPOLVO ROTULA INF. SUSP. KAYABA ENDURO BE23280GG-CLJ-1 (u. 2)
8	<ul style="list-style-type: none"> CASQUILLO ROTULA INFERIOR SUSPENSION KAYABA ENDURO BE23285GG-CLJ-1 (u. 1)
9	<ul style="list-style-type: none"> COJINETE AGUJA INFERIOR SUSPENSION KAYABA ENDURO BE36060GG-CLJ-1 (u. 1)
10	<ul style="list-style-type: none"> CASQUILLO INF. SUSP. KAYABA ENDURO BE23300GG-CLJ-1 (u. 1)
13	<ul style="list-style-type: none"> MUELLE AMORTIGUADOR 46 mm 50n SUSPENSION KAYABA ENDURO BE30010GG-CLJ-1 (u. 1)
	<ul style="list-style-type: none"> MUELLE AMORTIGUADOR 46 mm 54n SUSPENSION KAYABA ENDURO BE30012GG-CLJ-1 (u. 1)
	<ul style="list-style-type: none"> MUELLE AMORTIGUADOR 46 mm 52n SUSPENSION KAYABA ENDURO BE30011GG-CLJ-1 (u. 1)

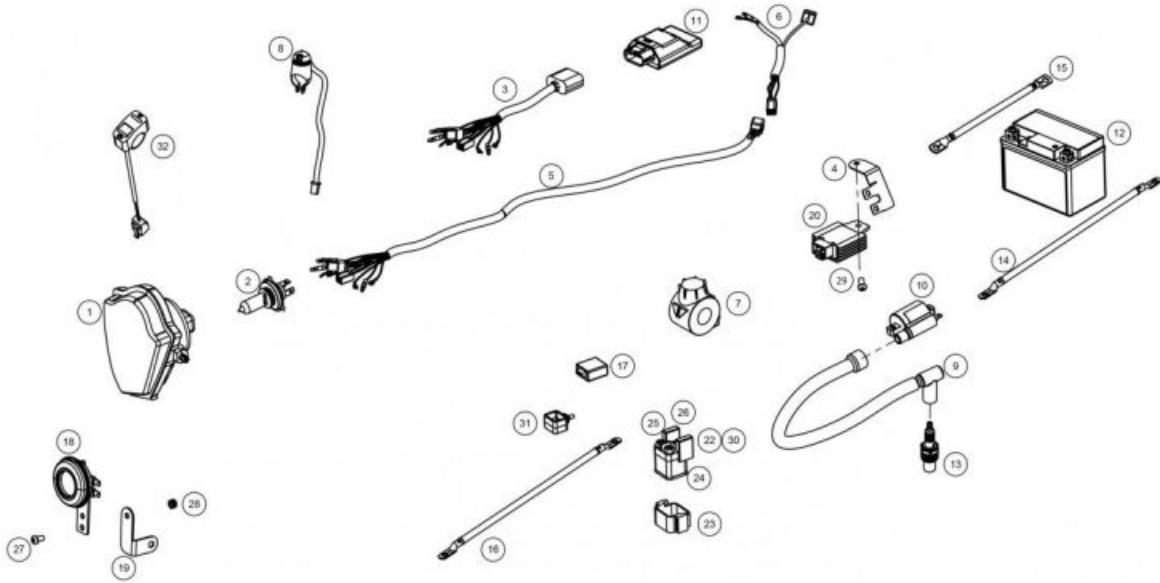
Radiador



- | | |
|----|---|
| 1 | <ul style="list-style-type: none"> RADIADOR IZQUIERDO ENDURO 2019
0/000.580.9103 (u. 1) |
| 2 | <ul style="list-style-type: none"> RADIADOR DERECHO + 2U SILENBLOCK 2019
0/000.580.9102 (u. 1) |
| 3 | <ul style="list-style-type: none"> TAPON RADIADOR MR 1.8 2021
0/000.410.9108 (u. 1) |
| | <ul style="list-style-type: none"> TAPON RADIADOR MR 1.8 2021
0/000.410.9108 (u. 1) |
| | <ul style="list-style-type: none"> TAPON RADIADOR MR FLOREADO 1.8 REBAJADO
0/000.410.9112 (u. 1) |
| 4 | <ul style="list-style-type: none"> GOMA TOPE RAD.49100025
BIE500132031 (u. 4) |
| 5 | <ul style="list-style-type: none"> TUBO SOBRANTE RAD.5X8 - 39cm.- TT-96
0/000.290.9117 (u. 1) |
| 6 | <ul style="list-style-type: none"> TUBO UNION RADIADORES ENDURO 2018
0/000.290.9103 (u. 1) |
| 7 | <ul style="list-style-type: none"> ABRAZ.TORRO SIN FIN 10-16 (10107270010) INOX FE
0/000.680.9108 (u. 2) |
| 8 | <ul style="list-style-type: none"> REJILLA RADIADOR IZQUIERDA ENDURO 2018
0/000.220.9113 (u. 1) |
| 9 | <ul style="list-style-type: none"> REJILLA RADIADOR DERECHA ENDURO 2018
0/000.220.9112 (u. 1) |
| 10 | <ul style="list-style-type: none"> TORN.ESP.6X10+ARANDELA GEOMET 10.9
0/000.460.9133 (u. 1) |
| 11 | <ul style="list-style-type: none"> ARANDELA COBRE 6X10X1.5 TORN.VAC.AGUA CI
0/000.440.9122 (u. 1) |
| 12 | <ul style="list-style-type: none"> ABRAZ.TORRO SIN FIN 16-27 (10107270027) INOX FE
0/000.680.9107 (u. 4) |

13	<ul style="list-style-type: none"> ● TUBO RADIADOR IZQUIERDO A CÁRTER IZQUIERDO EC 2018 0/000.290.9105 (u. 1)
14	<ul style="list-style-type: none"> ● TUBO RAD.INF.DCH.EC 300 2014 0/000.290.9104 (u. 1)
15	<ul style="list-style-type: none"> ● CTO.TUBOS RADIADORES-TERMOSTATO EC 2018 0/000.290.9118 (u. 1)
16	<ul style="list-style-type: none"> ● CUERPO TERMOSTATO SM BE250432070 (u. 1)
17	<ul style="list-style-type: none"> ● ABRAZADERA COBRA 21 W4 0/000.680.3009 (u. 2)
18	<ul style="list-style-type: none"> ● ABRAZ.COBRA-19 INOX A2 0/000.680.9104 (u. 1)
19	<ul style="list-style-type: none"> ● EXAG+ARANDELA 6x14 DIN 6921 0/000.460.9118 (u. 4)
20	<ul style="list-style-type: none"> ● ARANDELA 6X20X2 0/000.440.9112 (u. 4)

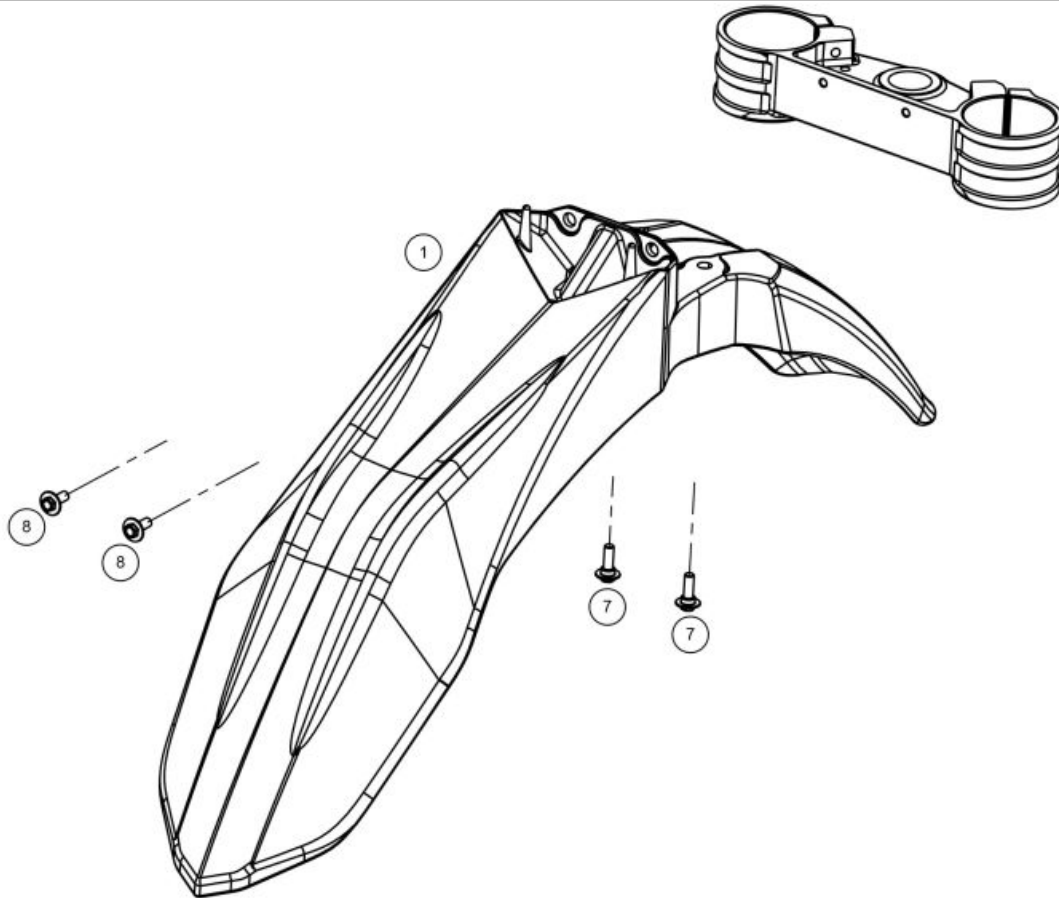
Parte Eléctrica



1	<ul style="list-style-type: none"> OPTICA FARO COMPLETA C/LUZ POBLAC. PT-107 0/000.600.0270 (u. 1)
2	<ul style="list-style-type: none"> BOMBILLA HALOGENA 35/35 12V.HS1 L300125 (u. 1)
3	<ul style="list-style-type: none"> INSTALACION CHISPA 0/000.160.9101 (u. 1)
4	<ul style="list-style-type: none"> SOP.SUJ.CONECTORES ENCENDIDO ENDURO 2018 0/000.980.9110 (u. 1)
5	<ul style="list-style-type: none"> INST.ELEC.COMPONENTE ELEC. 0/000.160.9102 (u. 1)
6	<ul style="list-style-type: none"> INST.LUZ MATRICULA ENDURO 2018 0/000.160.9103 (u. 1)
7	<ul style="list-style-type: none"> CONMUTADOR CON ARRANQUE ENDURO 2018 0/000.720.9101 (u. 1)
8	<ul style="list-style-type: none"> BOTON DE PARO TRIAL 2015 0/000.720.9102 (u. 1)
9	<ul style="list-style-type: none"> PIPA BUJIA LB05EMH=BT27934000 0/005.110.9100 (u. 1)
10	<ul style="list-style-type: none"> BOB.DE ALTA JT TXT 2013 0/005.070.9100 (u. 1)
11	<ul style="list-style-type: none"> CTO.CDI PROGRAMADO EC 250-300 GP 2019 EE51100CT-CSK-2 (u. 1)
12	<ul style="list-style-type: none"> BATERIA LITIO 4.0 Ah, HJTZ7S-FPZ 0/000.900.9100 (u. 1)
13	<ul style="list-style-type: none"> BUJIA W24ESRU 0/005.110.9101 (u. 1)
14	<ul style="list-style-type: none"> CABLE POSITIVO BATERIA EC 2019 0/000.160.9105 (u. 1)
15	<ul style="list-style-type: none"> CABLE NEGATIVO BATERIA 0/000.160.9104 (u. 1)
16	<ul style="list-style-type: none"> CABLE RELE A MOTOR ARRANQUE 2019 0/000.160.9107 (u. 1)
17	<ul style="list-style-type: none"> MODULO DIODES SHOTKY 0/001.200.9100 (u. 1)

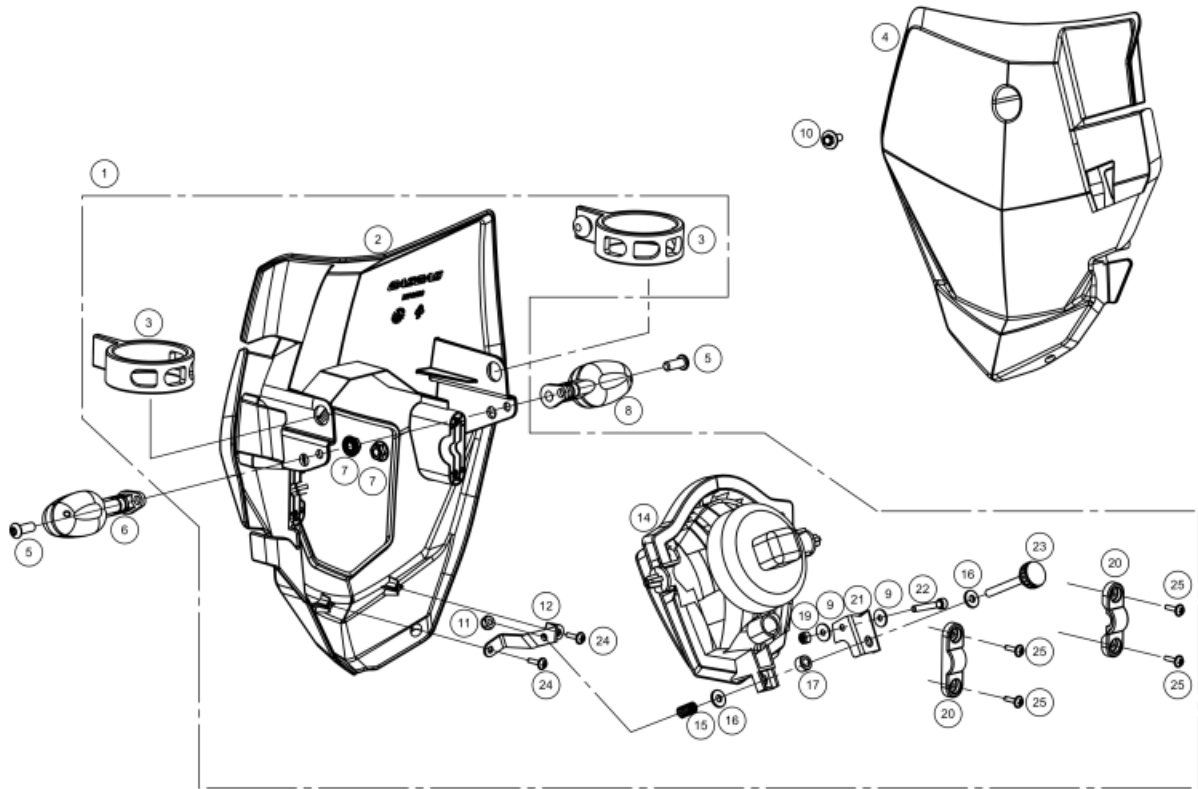
18	<ul style="list-style-type: none"> ● CLAXON COMPLETO CORRIENTE CONTINUA (DC) 0/000.420.5010 (u. 1)
	<ul style="list-style-type: none"> ● CLAXON CLASE II TIPO DL128J-12V 0/000.420.5011 (u. 1)
19	<ul style="list-style-type: none"> ● SOPORTE CLAXON ENDURO 2018 ZINCADO 0/000.980.9107 (u. 1)
20	<ul style="list-style-type: none"> ● REGUL.(31600-XRU-0000) 0/005.070.9101 (u. 1)
22	<ul style="list-style-type: none"> ● RELE ARRANQUE (RC19-005^a)STARTER RELA 00020 A7343-888-00-000 0/001.200.9101 (u. 1)
23	<ul style="list-style-type: none"> ● GOMA SOP.RELE ARRANQUE FIJ.VERTICAL EE85205GG-CAK-1 (u. 1)
24	<ul style="list-style-type: none"> ● TAPA PROT.FUSIBLE (B4694-730-00-001) EE851052511 (u. 2)
25	<ul style="list-style-type: none"> ● ARANDELA DENTADA DIN 6798/J M6 Cal.A2 INOX 0/000.440.0240 (u. 2)
	<ul style="list-style-type: none"> ● ARANDELA EN ABANICO DIN 6798 ZINC 0/000.440.9127 (u. 2)
26	<ul style="list-style-type: none"> ● TORN.ESP.6X10+ARANDELA GEOMET 10.9 0/000.460.9133 (u. 2)
27	<ul style="list-style-type: none"> ● TORN.ESP.6X12+ARANDELA Y FIJADOR ISO 7380-2 INOX A2 0/000.460.9108 (u. 1)
28	<ul style="list-style-type: none"> ● TUERCA NUT 956 RAPIDA M-6 HRc 40/48 0/000.340.9120 (u. 1)
29	<ul style="list-style-type: none"> ● EXAG+ARANDELA 6x14 DIN 6921 0/000.460.9118 (u. 1)
30	<ul style="list-style-type: none"> ● FUSIBLE UNIVERSAL 20A 0/000.910.9100 (u. 2)
31	<ul style="list-style-type: none"> ● GOMA SOPORTE MODULO DIODES 0/000.360.9111 (u. 1)
32	<ul style="list-style-type: none"> ● SWITCH DOBLE MAPA 0/000.720.9100 (u. 1)

Guardabarros delantero



- | | |
|---|--|
| 1 | <ul style="list-style-type: none"> ● GUARDAB.DEL.MR NEGRO
0/000.050.9100 (u. 1) |
| 7 | <ul style="list-style-type: none"> ● TORN.ESP.6X16 DRACOMET
0/000.460.9100 (u. 2) |
| 8 | <ul style="list-style-type: none"> ● TORN.ESP.6x7 DRACOMET
0/000.460.9161 (u. 2) |

Faro Delantero

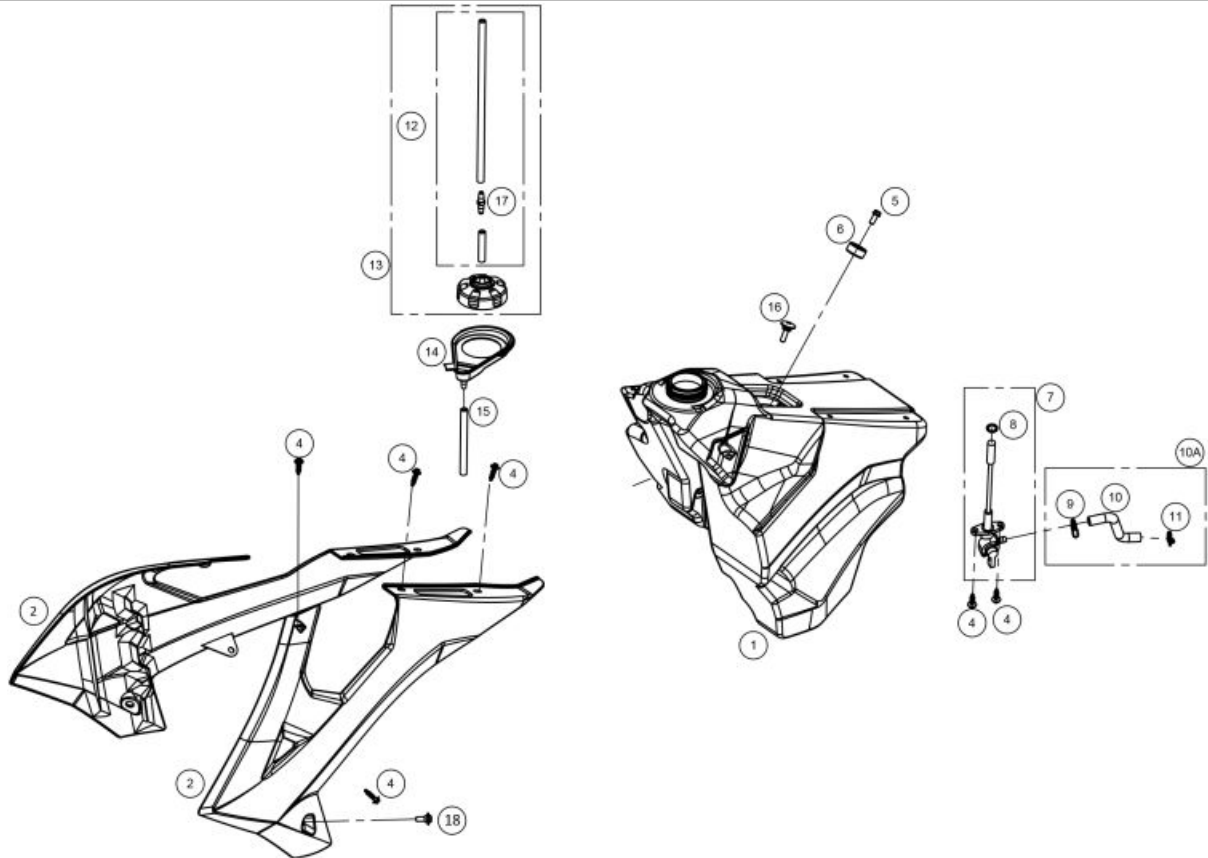


- 1 ● KIT FARO COMPLETO MR BLANCO
0/K00.620.9100 (u. 1)
- 3 ● GOMA SUJETA FARO D.38 PP HP2070291G
0/000.360.9102 (u. 2)
- 4 ● PLACA PORTANUMEROS DELANTERA CROSS COUNTRY 2018 BLANCA
0/000.570.9113 (u. 1)
- 4 ● PLACA PORTANUMEROS DELANTERA CROSS COUNTRY 2018 BLANCA
BE90500GG-MXC-1 (u. 1)
- 5 ● ULS 6x16 ISO 7380-1 NEGRO 12.9
0/000.460.9156 (u. 2)
- 6 ● INTERMITENTE IZQ.DEL.2005
0/000.150.9101 (u. 1)
- 7 ● TUERCA+ARAN.M-6 ESTR. DIN 6923 ZINC 8
0/000.340.9116 (u. 2)
- 8 ● INTERMITENTE DCH.O.DEL.2005
0/000.150.9100 (u. 1)
- 9 ● ARANDELA PLANA 4X12X1 DIN 9021 ZN AG CR3
0/000.440.9119 (u. 2)
- 10 ● TORN.ESP.6x7 DRACOMET
0/000.460.9161 (u. 1)
- 11 ● TUERCA AUTOBL. M-5 BAJA DIN-985 ZINC 8
0/000.340.9112 (u. 1)
- 12 ● CHAPA REGUL.FARO
0/000.980.9103 (u. 1)
- 13 ● TORNILLO PLASTICO 4X10 ZN BLUE
0/000.460.9159 (u. 2)
- 14 ● OPTICA FARO COMPLETA C/LUZ POBLAC. PT-107
0/000.600.0270 (u. 1)
- 15 ● MUELLE TORN.REG.OPTICA
0/000.470.9107 (u. 1)

OBSOLETA

16	<ul style="list-style-type: none"> ● ARANDELA 5X12X1.5 DIN 125A ZINC 0/000.440.9121 (u. 2)
17	<ul style="list-style-type: none"> ● CASQ.ALUMINIO ø5.5X10X6 0/000.480.9128 (u. 1)
19	<ul style="list-style-type: none"> ● TUERCA AUTOBL.M-4 DIN 985 ZINC 8 0/000.340.9111 (u. 1)
20	<ul style="list-style-type: none"> ● SOPORTE FARO MR BLANCO INY 0/000.980.9104 (u. 2)
21	<ul style="list-style-type: none"> ● REFUERZO LENGUETA FARO EC 2012 0/000.980.9106 (u. 1)
22	<ul style="list-style-type: none"> ● ALLEN 4X25 DIN 912 ZINC 0/000.460.9144 (u. 1)
23	<ul style="list-style-type: none"> ● TORN.REGUL.FARO ELESA B.193/18 P M5X40 0/000.460.9106 (u. 1)
24	<ul style="list-style-type: none"> ● TORNILLO PLASTICO 4X10 ZN BLUE 0/000.460.9159 (u. 2)
25	<ul style="list-style-type: none"> ● TORN.ESP.PLASTICO 4X12 CELO RF87T VERZINKT 0/000.460.9160 (u. 4)

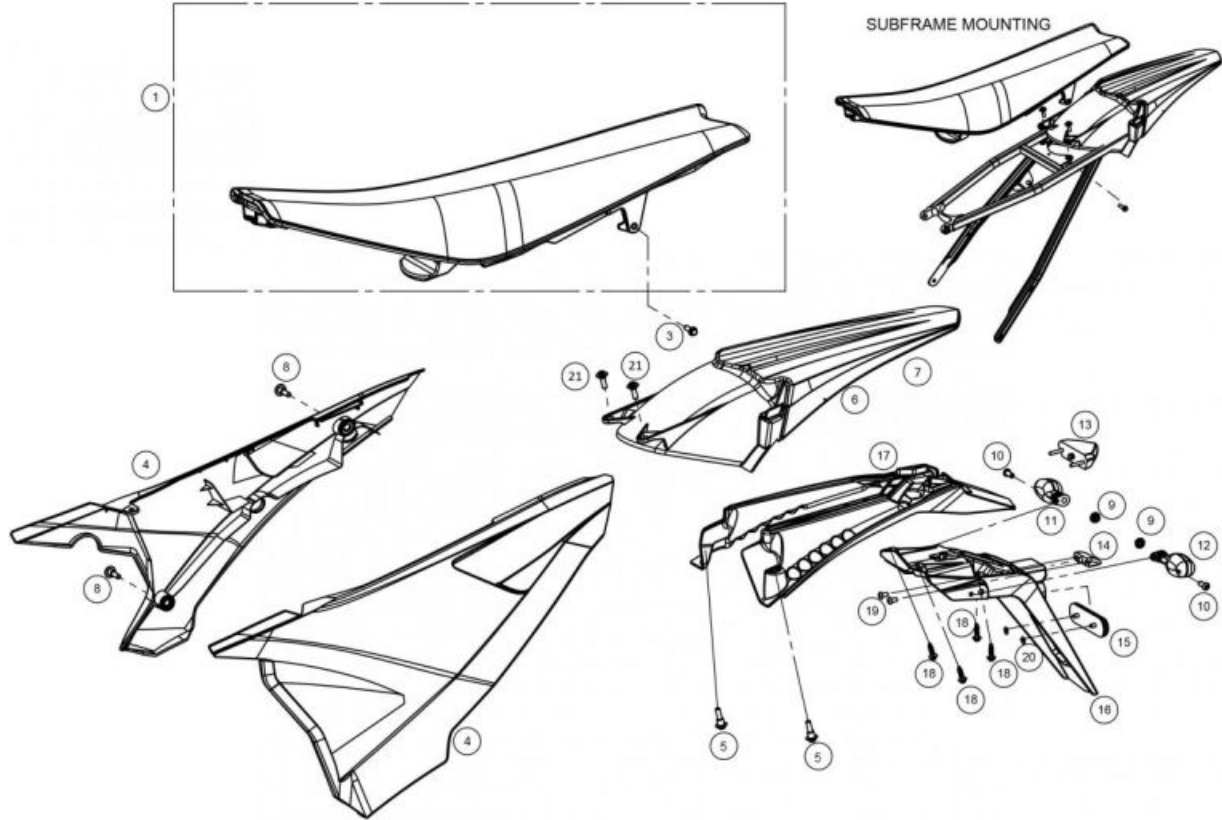
Depósito



1	<ul style="list-style-type: none"> DEPOSITO COMBUSTIBLE EUROPA (XPE) ENDURO 2018 0/000.030.9100 (u. 1)
4	<ul style="list-style-type: none"> TORNILLO ESPECIAL ROSCA PLASTICO CABOTA HEXAGONAL CON ARANDELA 6X20 T0806020 (u. 10) TORNILLO DEPÓSITO - SILLÍN Ø6x23 (EJOT ref. 05100519) T0806023 (u. 10)
5	<ul style="list-style-type: none"> EXAG+ARANDELA 6x14 DIN 6921 0/000.460.9118 (u. 1)
6	<ul style="list-style-type: none"> SILENTBLOCK+ARANDELA Y REGATA DEP.GASOLIN 0/000.360.9105 (u. 1)
7	<ul style="list-style-type: none"> GRIFO GASOLINA ENDURO 2018 0/000.370.9100 (u. 1)
8	<ul style="list-style-type: none"> TORICA GRIFO GASOLINA 10X2.5 B740120 (u. 1)
9	<ul style="list-style-type: none"> ABRAZ.MOLLA M-11.6-12.3 ZINC CR3 0/000.680.9102 (u. 1)
10A	<ul style="list-style-type: none"> TUBO GASOLINA ENDURO 2018 0/000.290.9108 (u. 1)
10	<ul style="list-style-type: none"> TUBO GASOLINA ENDURO 2018 DE HOMOLOGACION 0/000.290.9109 (u. 1)
11	<ul style="list-style-type: none"> ABRAZ.MOLLA M-12X1.5 ACERO ZN 0/000.680.9103 (u. 1)
12	<ul style="list-style-type: none"> CTO.TUBO DESVAP.GASOLINA 26cm 0/000.290.9115 (u. 1)
13	<ul style="list-style-type: none"> CTO.TAP.GASOLINA+TUBO EC 2014 BE76010CT-CAB-1 (u. 1)
14	<ul style="list-style-type: none"> REBOSADERO DEP.GASOL. 0/000.570.9102 (u. 1)
15	<ul style="list-style-type: none"> TUBO REBOSADERO DEP.DE GASOLINA ENDURO 0/000.290.9107 (u. 1)

16	<ul style="list-style-type: none">● TORNILLO ESPECIAL ROSCA PLASTICO CABOTA HEXAGONAL CON ARANDELA 6X20 T0806020 (u. 1)
	<ul style="list-style-type: none">● TORNILLO DEPÓSITO - SILLÍN Ø6x23 (EJOT ref. 05100519) T0806023 (u. 1)
17	<ul style="list-style-type: none">● VALV.DESVAPO.DEP. BT27836025 (u. 1)
18	<ul style="list-style-type: none">● TORNILLO ESPECIAL ROSCA PLASTICO CABOTA HEXAGONAL 6X12 DRACOMET 0/000.460.9101 (u. 2)

Plástica Trasera

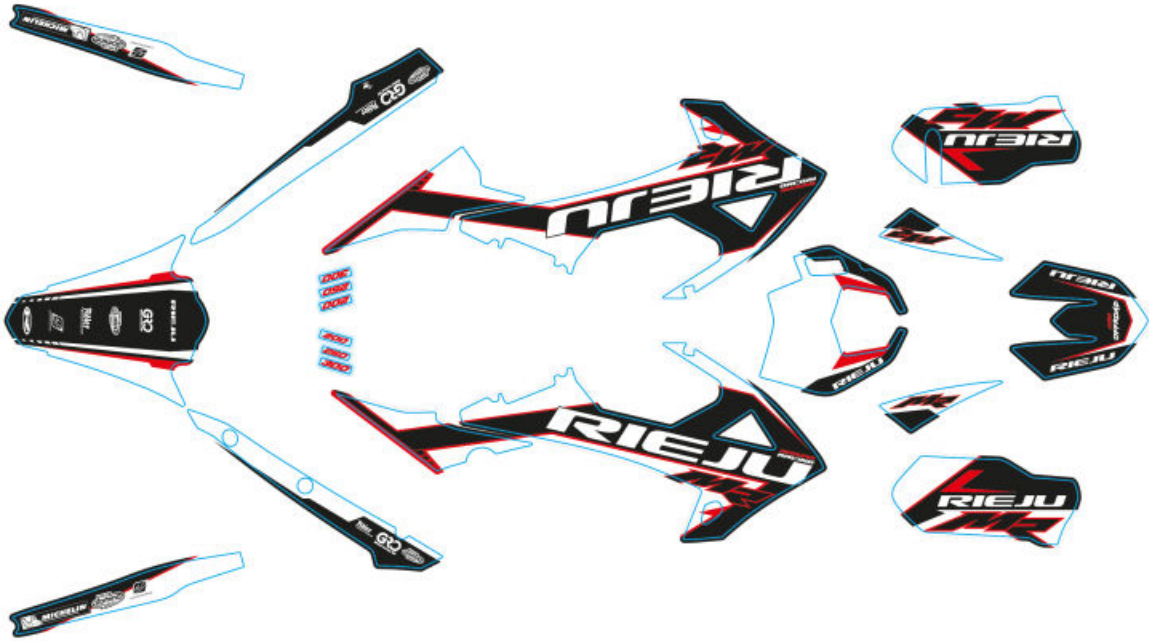


	<ul style="list-style-type: none"> SILLIN EC 2018 0/000.040.9100 (u. 1) 	
1	<ul style="list-style-type: none"> FUNDA SILLIN ENDURO 2018 0/000.040.9107 (u. 1) FUNDA SILLIN ENDURO 2018 BE94025GG-CLJ-1 (u. 1) 	OBSOLETA
3	<ul style="list-style-type: none"> TORN.ESP.6X25 DIN 6921 GEOMET 10.9 VALONA 11MM 0/000.460.9121 (u. 1) 	
4	<ul style="list-style-type: none"> KIT PLACAS LATERALES PORTANUMEROS BLANCAS MR 0/K00.570.9101 (u. 1) 	
5	<ul style="list-style-type: none"> TORNILLO ESPECIAL 6X16 CON CENTRADOR DRACOMET 0/000.460.9163 (u. 2) 	
6	<ul style="list-style-type: none"> CTO.GUARDAB.TRAS.EC 2018 BL. 0/000.060.9100 (u. 1) 	
8	<ul style="list-style-type: none"> TORN.ESP.6X16 DRACOMET 0/000.460.9100 (u. 2) 	
9	<ul style="list-style-type: none"> TUERCA+ARAN.M-6 ESTR. DIN 6923 ZINC 8 0/000.340.9116 (u. 2) 	
10	<ul style="list-style-type: none"> ULS 6x16 ISO 7380-1 NEGRO 12.9 0/000.460.9156 (u. 2) 	
11	<ul style="list-style-type: none"> INTERMITENTE DCH.TRAS.2005 0/000.150.9102 (u. 1) 	
12	<ul style="list-style-type: none"> INTERMITENTE IZQ.TRAS.2005 0/000.150.9103 (u. 1) 	
13	<ul style="list-style-type: none"> LUZ PILOTO TRASERO LED 0/000.150.9105 (u. 1) 	
14	<ul style="list-style-type: none"> LUZ MATRICULA MR 0/000.150.9104 (u. 1) 	
15	<ul style="list-style-type: none"> CATADIOPTRICO 700R ENDURO 2007 0/000.630.9103 (u. 1) 	

16	<ul style="list-style-type: none"> ● PORTAMATRICULAS HOMOLOGACION 0/000.060.9102 (u. 1)
17	<ul style="list-style-type: none"> ● PORTAMATRICULAS CORTO EC 2018 0/000.060.9101 (u. 1)
18	<ul style="list-style-type: none"> ● TORNILLO ESPECIAL ROSCA PLASTICO CABOTA HEXAGONAL CON ARANDELA 6X20 T0806020 (u. 4) ● TORNILLO DEPÓSITO - SILLÍN Ø6x23 (EJOT ref. 05100519) T0806023 (u. 4)
19	<ul style="list-style-type: none"> ● ULS TORX CON ARAND.4X08 ISO 7380-2 INOX A2 0/000.460.9158 (u. 2)
20	<ul style="list-style-type: none"> ● GRAPA 02110396 SRRM-5 CATADRIOPTICO 0/000.440.9102 (u. 2)
21	<ul style="list-style-type: none"> ● TORNILLO ESPECIAL ROSCA PLASTICO CABOTA HEXAGONAL 6X12 DRACOMET 0/000.460.9101 (u. 2)

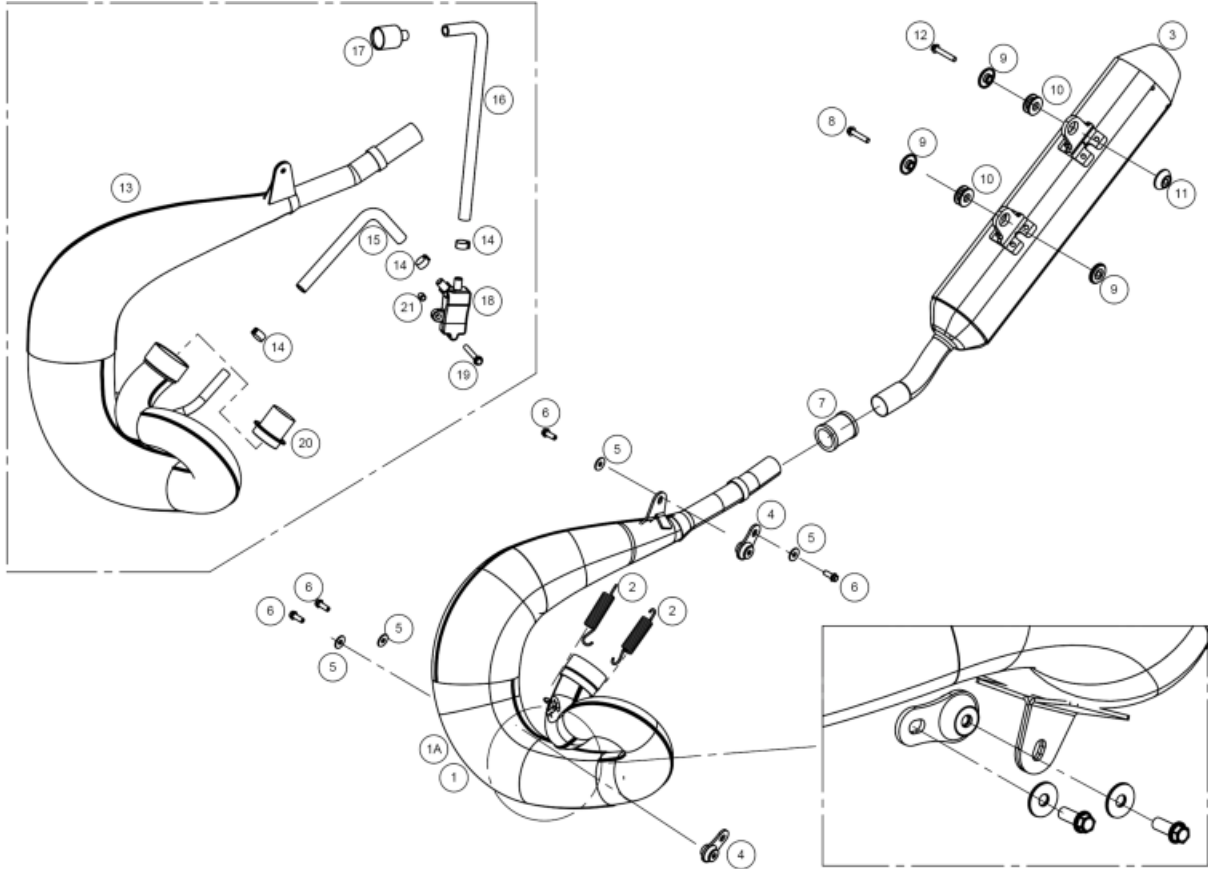
Adhesivos

0/000.390.9130 JUEGO CALCAS MR RACING 2022



- 1 ● JUEGO CALCAS MR RACING 2022
0/000.390.9130 (u. 1)

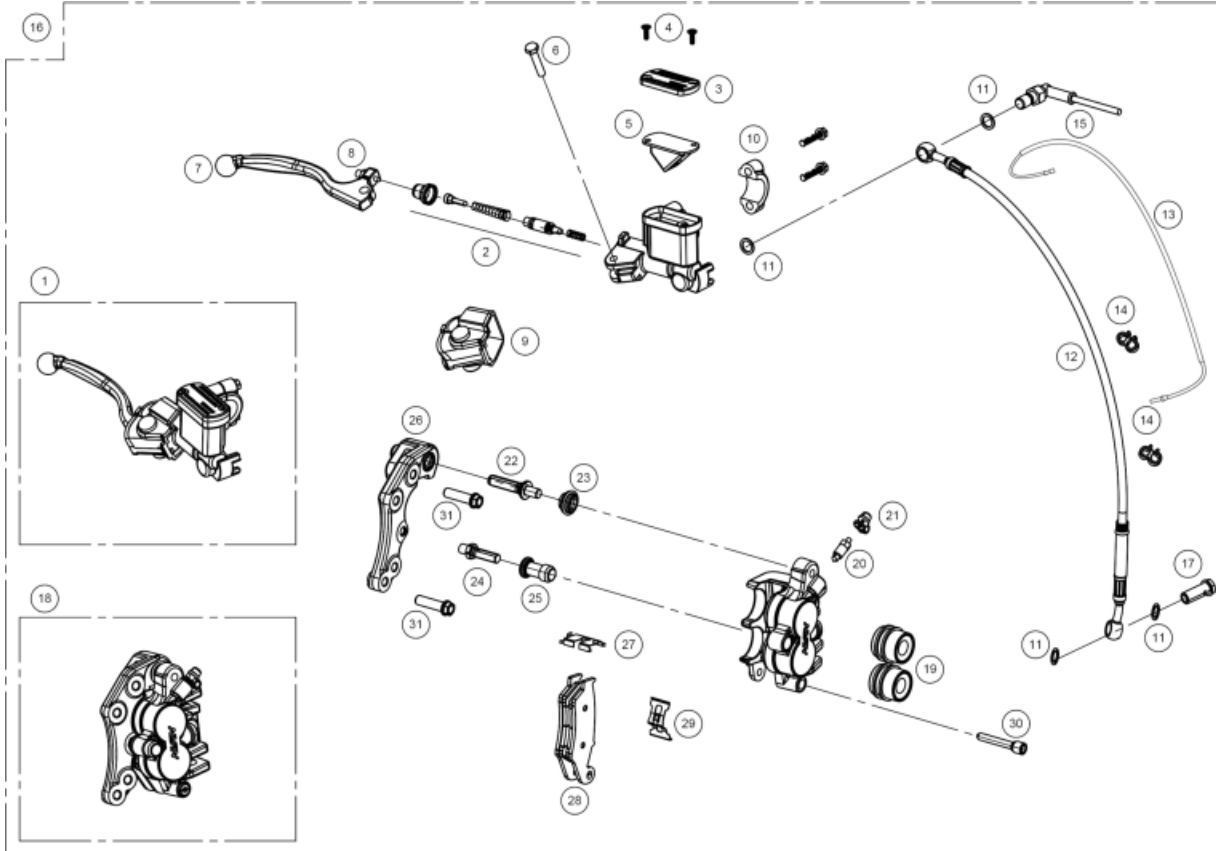
Escape



- | | |
|----|--|
| 1 | <ul style="list-style-type: none"> CTO.TUBO ESCAPE EC 2018
0/000.290.9114 (u. 1) |
| 2 | <ul style="list-style-type: none"> MUELLE ESCAPE EC
0/000.470.9106 (u. 2) |
| 3 | <ul style="list-style-type: none"> SILENCIADOR MR 2022
0/000.870.9104 (u. 1) FIBRA PARA SILENCIOSO MR 2022
0/000.870.9105 (u. 1) |
| 4 | <ul style="list-style-type: none"> SILENBLOCK ESCAPE ENDURO
0/000.360.9107 (u. 2) |
| 5 | <ul style="list-style-type: none"> ARANDELA 6X18X1,5 DIN 9021 ZINC
0/000.440.9126 (u. 4) |
| 6 | <ul style="list-style-type: none"> TORN.ESP.6X16 DIN 6921 ZINC.10.9
0/000.460.9119 (u. 4) |
| 7 | <ul style="list-style-type: none"> JUNTA ESCAPE 250 SILIC.5916
0/000.490.9103 (u. 1) |
| 8 | <ul style="list-style-type: none"> TORN.ESP.M6x30 DIN 6921 GEOMET
0/000.460.9123 (u. 1) |
| 9 | <ul style="list-style-type: none"> CASQ.SILENCIADOR CORTO EC 2018
0/000.480.9115 (u. 3) |
| 10 | <ul style="list-style-type: none"> SILENBLOCK ESCAPE EC 2018
0/000.360.9108 (u. 2) |
| 11 | <ul style="list-style-type: none"> CASQ.SILENCIADOR LARGO ENDURO 2018
0/000.480.9114 (u. 1) |
| 12 | <ul style="list-style-type: none"> TORN.ESP.M6X35 DIN 6921 GEOMET
0/000.460.9124 (u. 1) |
| 13 | <ul style="list-style-type: none"> CTO.TUBO ESCAPE EC 2018 HOMOL.
0/000.290.9113 (u. 1) |

14	<ul style="list-style-type: none"> ● ABRAZ.COBRA D.15/8 W4 INOX A2 0/000.680.9106 (u. 3)
15	<ul style="list-style-type: none"> ● TUBO AIRE SECUNDARIO CORTO EC-2009 0/000.290.9110 (u. 1)
16	<ul style="list-style-type: none"> ● TUBO AIRE SECUNDARIO LARGO EC-2009 0/000.290.9111 (u. 1)
17	<ul style="list-style-type: none"> ● FILTRO VALVULA AIS 0/227.013.0003 (u. 1)
18	<ul style="list-style-type: none"> ● VALV.AIRE SECUNDARIO EC-2009 RV-1-037 0/000.640.9100 (u. 1)
19	<ul style="list-style-type: none"> ● TORN.ESP.6x60 Fil.20 GEOMET 321A + PLUS VL 10.9 0/000.460.9128 (u. 1)
20	<ul style="list-style-type: none"> ● CATALIZADOR EC250-2002 0/001.600.9100 (u. 1)
21	<ul style="list-style-type: none"> ● CASQ.DIST.PIÑON 0/000.980.9112 (u. 1)

Freno Delantero



1 BOMBA FRENO DEL.NISSIN=BC25922008/2
0/000.820.9106 (u. 1)

BOMBA FRENO DEL.NISSIN=BC25922008
BC25922008/2 (u. 1)

OBSOLETA

2 KIT PISTON FRENO A 113-MK1-GAS
BC25922219 (u. 1)

3 TAPA BOMBA 009-M91-099
BC25922210 (u. 1)

4 TORN.TAPA BOMBA 049-Z02-064
BC25922217 (u. 2)

5 GOMA ANTIESPUMANTE 003-M68-042
BC25922216 (u. 1)

6 TORN.ESP.083-M87-012
BC25922212 (u. 1)

7 MANETA FRENO TT250 2904 (3274)
BC250022045R (u. 1)

8 TENSOR MANETA NISSIN 003-M84-107
BC25922218 (u. 1)

9 GUARDAPOLVO
BC25922213 (u. 1)

10 BRIDA
BC25922211 (u. 1)

11 ARANDELA LATIGUILLO 10X14X1
BE25622007 (u. 4)

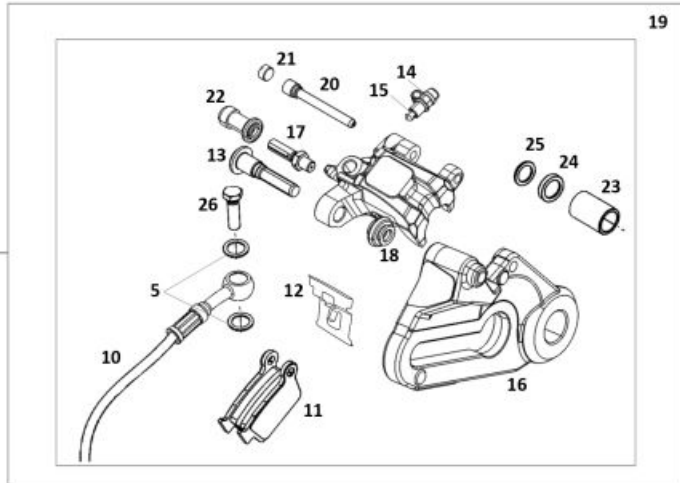
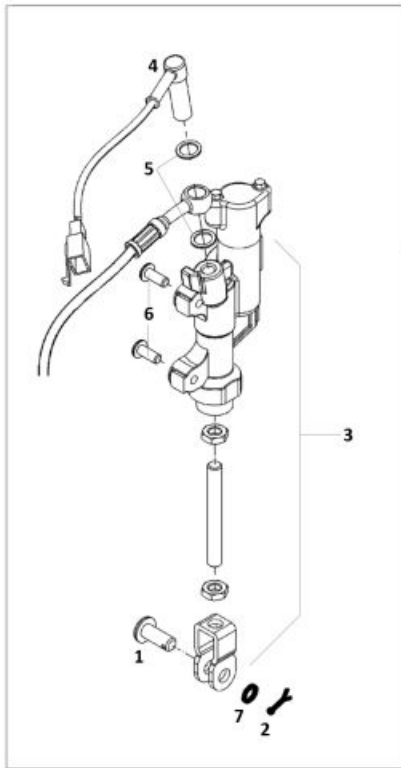
12 LATIGUILLO FRENO DEL.EC-2004- 740 746112
BE250422002 (u. 1)

13 SENSOR CUENTA KM ENDURO
0/001.010.9100 (u. 1)

14 GRAPA SUJ.CABLE CT.KM.2008
0/000.630.9104 (u. 2)

15	<ul style="list-style-type: none"> ● INTERRUPTOR 23-016/1 STOP BOMBA NISSIN 3 0/000.720.9104 (u. 1)
16	<ul style="list-style-type: none"> ● CTO.FRENO DEL.PURGADO ENDURO 2004 0/000.820.9107 (u. 1)
17	<ul style="list-style-type: none"> ● RACORD SUJ.LATIGUILLO 10X1,25(9257) BC25722006 (u. 1)
18	<ul style="list-style-type: none"> ● PINZA FRENO DEL+SOP.272-C00-400 EC-2007 0/000.860.9101 (u. 1)
19	<ul style="list-style-type: none"> ● KIT.REP.PISTON 272-C98-129 BE620422508 (u. 1)
20	<ul style="list-style-type: none"> ● KIT SANGRADOR EC 142-D98-103 BE620602508 (u. 1)
21	<ul style="list-style-type: none"> ● TAP.SANGRADOR NISSIN 009-Z51-015 BE250022055 (u. 1)
22	<ul style="list-style-type: none"> ● TORN.GUIA NISSIN 002-C46-086 BE250022092 (u. 1)
23	<ul style="list-style-type: none"> ● GUARDAPOLVO EC 002-C40-101 BE620682508 (u. 1)
24	<ul style="list-style-type: none"> ● TORN.CLAVIJA PINZA FRENO 082-C48-023 BE250022034 (u. 1)
25	<ul style="list-style-type: none"> ● GUARDAPOLVO PINZA EC 002-C49-104 BE620692508 (u. 1)
26	<ul style="list-style-type: none"> ● SOP.PINZA DEL.EC 002-C08-225 BE620102508 (u. 1)
27	<ul style="list-style-type: none"> ● PLATINA SUJ.PASTILLAS 002-C80-014 BE620122508 (u. 1)
28	<ul style="list-style-type: none"> ● KIT PASTILLAS DEL.EC 002-C94-540 CEX BE620652508 (u. 1)
29	<ul style="list-style-type: none"> ● PLATINA SUJ.PASTILLAS EC 002-C30-110 BE620112508 (u. 1)
30	<ul style="list-style-type: none"> ● PASADOR PAS.PINZA F.DEL.002-C50-031 BE250022041 (u. 1)
31	<ul style="list-style-type: none"> ● TORN.ESP.8X30 GEOMET 10.9 0/000.460.9138 (u. 2)

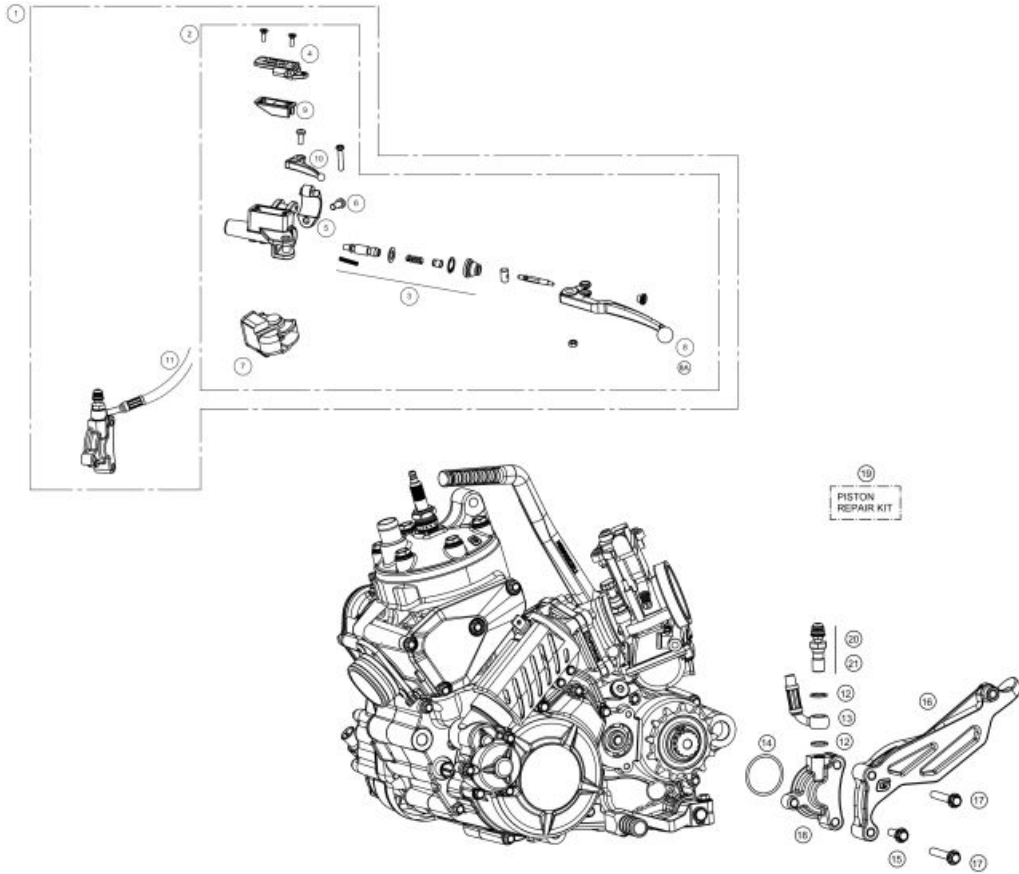
Freno Trasero



- | | |
|----|---|
| 1 | <ul style="list-style-type: none"> PASADOR 8X20 PEDAL FRENO
0/000.840.9101 (u. 1) |
| 2 | <ul style="list-style-type: none"> CLAVILLA PASADOR FRENO 2X20
0/000.840.9102 (u. 1) |
| 3 | <ul style="list-style-type: none"> CTO.BOMBA FRENO TRASERO EC 2018
0/000.820.9105 (u. 1) |
| 4 | <ul style="list-style-type: none"> INTERRUPTOR 23-016/1 STOP BOMBA NISSIN 3
0/000.720.9104 (u. 1) |
| 5 | <ul style="list-style-type: none"> ARANDELA LATIGUILLO 10X14X1
BE25622007 (u. 4) |
| 6 | <ul style="list-style-type: none"> TORN.ESP.6X16 DIN 6921 ZINC.10.9
0/000.460.9119 (u. 2) |
| 7 | <ul style="list-style-type: none"> ARANDELA 8X16X1 ZINCADA PEDAL FRENO GASGAS
0/000.440.0302 (u. 1) |
| 8 | <ul style="list-style-type: none"> BRIDA 2,5x100 T18ROS-PA66HS-BK
0/000.680.0081 (u. 3) BRIDA UNEX NYLON CORTA 2221-0 2.5X98 =P380003
0/000.660.9106 (u. 3) |
| 9 | <ul style="list-style-type: none"> CTO.FRENO TRAS.EC-2018
0/000.820.9104 (u. 1) |
| 10 | <ul style="list-style-type: none"> LATIGUILLO FRENO TRAS.EC-2009
BE661002509 (u. 1) |
| 11 | <ul style="list-style-type: none"> KIT PASTILLAS FRENO TRAS.EC-2009 002-C94
BE675002509 (u. 1) |
| 12 | <ul style="list-style-type: none"> PLATINA (B) SUJ.PAST.TRAS.002-C53-101
BE250022091 (u. 1) |
| 13 | <ul style="list-style-type: none"> TORN.SUJ.PINZA 012-C54-001
BE250022096 (u. 1) |
| 14 | <ul style="list-style-type: none"> TAP.SANGRADOR NISSIN 009-Z51-015
BE250022055 (u. 1) |

15	<ul style="list-style-type: none"> SANGRADOR NISSIN 079-Z50-001 BE250022060 (u. 1)
16	<ul style="list-style-type: none"> SOP.PINZA FRENO TRAS.NISSIN EC-2009 BE671002509 (u. 1)
17	<ul style="list-style-type: none"> TORN.CLAVIJA PINZA FRENO 082-C48-023 BE250022034 (u. 1)
18	<ul style="list-style-type: none"> GUARDAPOLVO PINZA FRENO TRAS.EC-2009 250 BE675802509 (u. 1)
19	<ul style="list-style-type: none"> CTO.PINZA FRENO TRAS.+SOP.EC-2009 0/000.860.9102 (u. 1)
20	<ul style="list-style-type: none"> PASADOR PASTILLAS TRAS.002-C50-053 BE250022094 (u. 1)
21	<ul style="list-style-type: none"> PROTECC.PASADOR NISSIN 002-C51-012 BE250022095 (u. 1)
22	<ul style="list-style-type: none"> GUARDAPOLVO PINZA EC 002-C49-104 BE620692508 (u. 1)
23	<ul style="list-style-type: none"> PISTON PINZA FRENO TRAS.EC-2009 252-C34- BE675602509 (u. 1)
24	<ul style="list-style-type: none"> RETEN PINZA FRENO TRAS.EC-2009 250-C43-0 BE675502509 (u. 1)
25	<ul style="list-style-type: none"> RETEN PINZA FRENO TRAS.EC-2009 BE675552509 (u. 1)
26	<ul style="list-style-type: none"> RACORD SUJ.LATIGUILLO 10X1,25(9257) BC25722006 (u. 1)

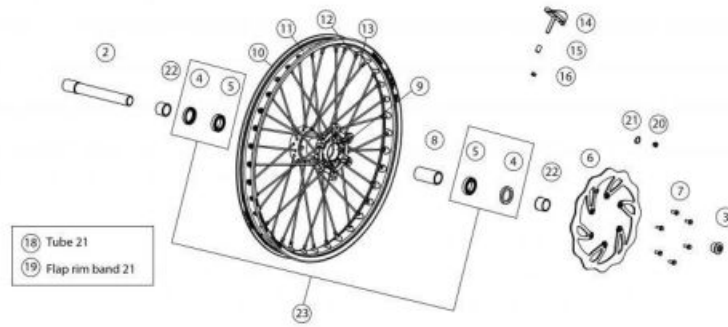
Mando Embrague



1	<ul style="list-style-type: none"> CTO.EMBR.EC MAGURA 9.5 (167) 0/000.830.9101 (u. 1)
2	<ul style="list-style-type: none"> BOMBA EMBR.MAGURA 9,5 (167) 2000302 BE45000013011 (u. 1)
3	<ul style="list-style-type: none"> KIT PISTON 9,5 (0723184) BE45000043011 (u. 1)
4	<ul style="list-style-type: none"> TAPA ACEITE MINERAL (0723164) BE45000053011 (u. 1)
5	<ul style="list-style-type: none"> BRIDA SUJ.(0723118) BE45000063011 (u. 1)
6	<ul style="list-style-type: none"> TORN.ESP.6x20 DIN 6921 GEOMET 10.9 0/000.460.9120 (u. 1)
7	<ul style="list-style-type: none"> GUARDAPOLVO (0723163) BE45000093011 (u. 1)
8A	<ul style="list-style-type: none"> MANETA LARGA EMBR.(0723290) BE45000033011 (u. 1)
8	<ul style="list-style-type: none"> MANETA CORTA EMBR.(0723121) BE45000023011 (u. 1)
9	<ul style="list-style-type: none"> MEMBRANA DEPOSITO BE45000103011 (u. 1)
10	<ul style="list-style-type: none"> LEVA STARTER (0723189) BE45000073011 (u. 1)
11	<ul style="list-style-type: none"> LATIGUILLO EMBR.ENDURO (FK003CE021E) BE250522003 (u. 1)
12	<ul style="list-style-type: none"> ARANDELA LATIGUILLO 10X14X1 BE25622007 (u. 2)
13	<ul style="list-style-type: none"> LATIGUILLO EMBR.ENDURO (FK003CE021E) BE250522003 (u. 1)

14	<ul style="list-style-type: none"> TORICA BOMB.EMB.LIQ.32X2 EPDM ME25632024 (u. 1) 	
15	<ul style="list-style-type: none"> TORN.ESP.6x20 DIN 6921 GEOMET 10.9 0/000.460.9120 (u. 1) 	
16	<ul style="list-style-type: none"> KIT PATIN CADENA 3 COMP. BE43015CT-CLJ-1 (u. 1) 	
17	<ul style="list-style-type: none"> TORN.ESP.6x50 Fil.20 DIN 6921 GEOMET 10.9 0/000.460.9126 (u. 2) 	
18	<ul style="list-style-type: none"> BOMBIN EMBRAGUE ME250632026 (u. 1) 	OBSOLETA
19	<ul style="list-style-type: none"> BOMBIN EMBRAGUE ME250632026 (u. 1) 	OBSOLETA
20	<ul style="list-style-type: none"> TAP.SANGRADOR FD-G006-00 BT27922055 (u. 1) 	
21	<ul style="list-style-type: none"> SANGRADOR PINZA EMBR.TT BE25622060 (u. 1) 	

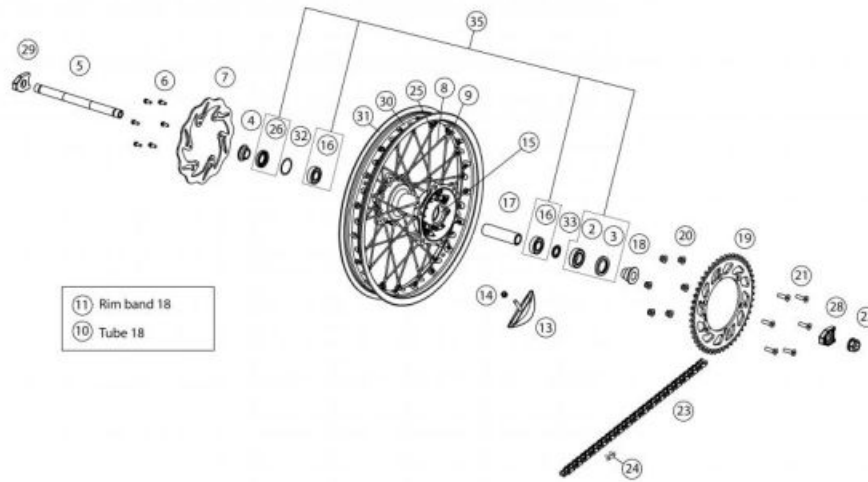
Rueda Delantera



2	<ul style="list-style-type: none"> EJE RUEDA DEL.EC-2011 20.8CM 0/000.190.9102 (u. 1) 	
	<ul style="list-style-type: none"> TORNILLO INTERIOR EJE DELANTERO MR2022 0/000.460.9166 (u. 1) 	
3	<ul style="list-style-type: none"> TUERCA EJE DELANTERO 0/000.340.9100 (u. 1) 	
4	<ul style="list-style-type: none"> RETEN CUBO DEL.390.99.59-30X42X7 HMSA10 RG BE250418057 (u. 2) 	
5	<ul style="list-style-type: none"> RODAM.61905 2RS1 ME120136055 (u. 2) 	
6	<ul style="list-style-type: none"> DISCO FRENO DELANTERO MR 260mm 0/001.090.9107 (u. 1) DISCO FRENO DELANTERO ENDURO 2018 260mm 0/001.090.9105 (u. 1) 	OBSOLETA
7	<ul style="list-style-type: none"> TORNILLO FLGER AM 6x14 10.9 MK 0/000.460.9142 (u. 1) 	
8	<ul style="list-style-type: none"> CASQ.SEP.CUBO DEL.390.80.234 BE250418058 (u. 1) 	
9	<ul style="list-style-type: none"> CUBO RUEDA DEL.EC 2014 BE541110GG-CAB-1 (u. 1) 	
10	<ul style="list-style-type: none"> LLANTA DEL.EXCEL NG.EC-2009 0/000.230.9101 (u. 1) 	
11	<ul style="list-style-type: none"> CTO.LLANTA DELANTERA RADIADA EC 2018 0/000.110.9100 (u. 1) 	
12	<ul style="list-style-type: none"> TUERCA RADIO DEL. BE542503013 (u. 36) 	
13	<ul style="list-style-type: none"> RADIO DEL.EC-2013 BE542003013 (u. 36) 	

14	<ul style="list-style-type: none"> ● AGARRE DEL.EC-2009 1.6x21 0/000.220.9114 (u. 1)
15	<ul style="list-style-type: none"> ● CASQ.AGARRE CUBIERTA EC-2010 8X12X12 0/000.480.9112 (u. 1)
16	<ul style="list-style-type: none"> ● TUERCA AUTOBL.M-8 BAJA DIN 985 ZINC 0/000.340.9114 (u. 1)
18	<ul style="list-style-type: none"> ● CAMARA DELANTERA 21MDR VALVE TR4 833092 0/000.520.9100 (u. 1)
19	<ul style="list-style-type: none"> ● PROT.BANDA DEL.FLAP 1.60/1.85 X 21(1400X25) 949947 0/000.220.9108 (u. 1)
20	<ul style="list-style-type: none"> ● IMAN EC 2010 0/001.010.9101 (u. 1)
21	<ul style="list-style-type: none"> ● SEGEER A 9 SOP.IMAN EC 2010 DIN 471 INOX 0/000.300.9100 (u. 1)
22	<ul style="list-style-type: none"> ● CASQUILLO RUEDA DELANTERA 0/000.480.9100 (u. 1)
23	<ul style="list-style-type: none"> ● KIT COJINETES I RETENES RUEDA DEL. BE51000CT2510 (u. 1)

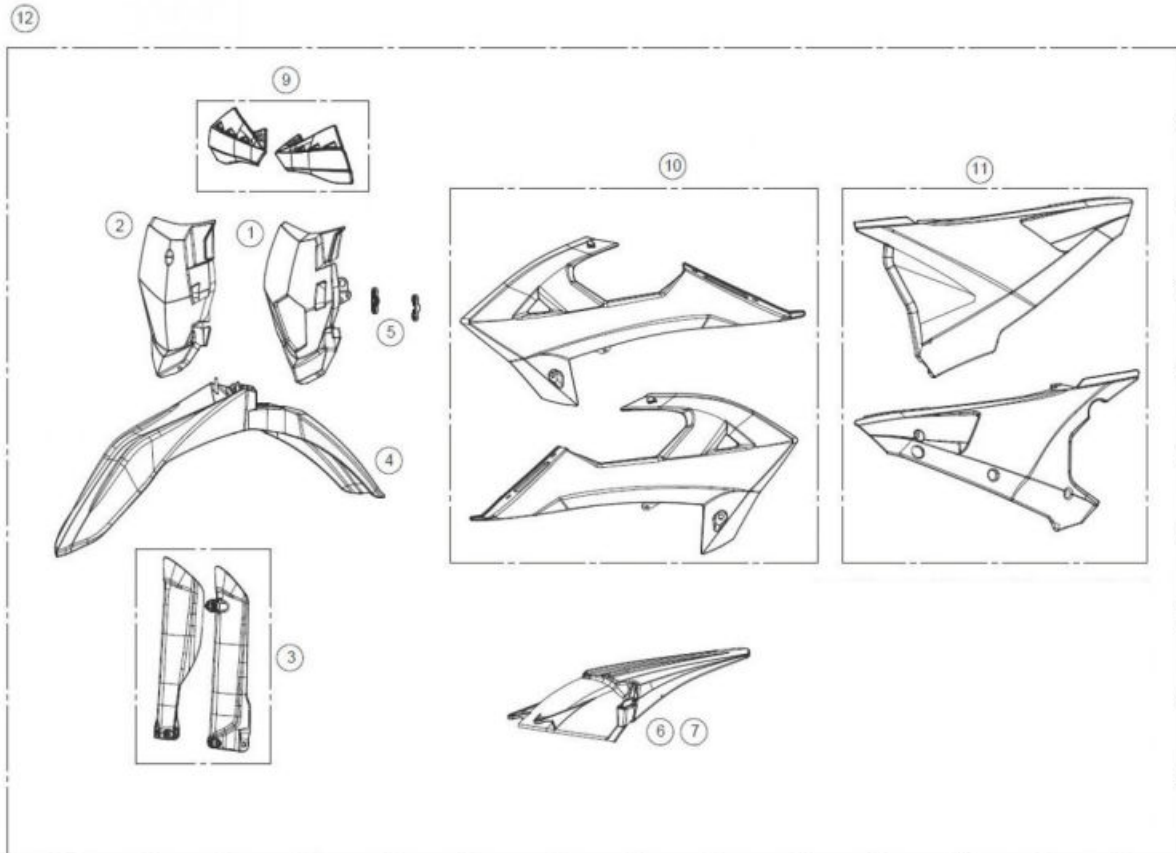
Rueda Trasera



2	<ul style="list-style-type: none"> COJINETE RUEDA TRAS.6005-2SRH C3 BE250318054 (u. 1)
3	<ul style="list-style-type: none"> RETEN RUEDA TT 2003 32X47X7 BE250318055 (u. 1)
4	<ul style="list-style-type: none"> DIST.RUEDA TRAS.CORTO EC-2000 0/000.480.9104 (u. 1)
5	<ul style="list-style-type: none"> EJE RUEDA TRAS.EC 2018 0/000.190.9103 (u. 1)
6	<ul style="list-style-type: none"> EXAG+ARANDELA 6x14 DIN 6921 0/000.460.9118 (u. 6)
7	<ul style="list-style-type: none"> D.FRENO.TRAS.FLOR 1057X EC-2010 0/001.090.9102 (u. 1)
8	<ul style="list-style-type: none"> RADIO 192X4.5 LADO FRENO 18" BE59200GG-CLJ-1 (u. 18)
9	<ul style="list-style-type: none"> RADIO 188X4.5 LADO CORONA 18" BE59210GG-CLJ-1 (u. 18)
11	<ul style="list-style-type: none"> PROT.BANDA TRASERO 1.60/2.00 X 18/19 (1300X25) 656415 MICHELIN 0/000.220.9110 (u. 1)
13	<ul style="list-style-type: none"> AGARRE TRAS.EC-2009 2.15x18 0/000.220.9115 (u. 1)
14	<ul style="list-style-type: none"> TUERCA AUTOBL.M-8 BAJA DIN 985 ZINC 0/000.340.9114 (u. 1)
15	<ul style="list-style-type: none"> CUBO RUEDA TRASERA EC 2018 BE59100GG-CLJ-1 (u. 1)
16	<ul style="list-style-type: none"> COJINETE 6004 2RS1 C160001 (u. 2)
17	<ul style="list-style-type: none"> DISTANCIADOR INTERIOR BUJE TRASERO ENDURO 2018 BE59105GG-CLJ-1 (u. 1)

18	<ul style="list-style-type: none"> DIST.RUEDA TRAS.IZQ.ENDURO 2018 0/000.480.9113 (u. 1)
19	<ul style="list-style-type: none"> PLATO ARRASTRE Z-49 CROSS 250 0/000.500.9100 (u. 1)
	<ul style="list-style-type: none"> CORONA Z 48 ENDURO 2011 COLOR TIT. 0/000.500.9101 (u. 1)
20	<ul style="list-style-type: none"> CORONA Z 50 ENDURO 2014 COLOR TIT. 0/000.500.9102 (u. 1)
	<ul style="list-style-type: none"> TUERCA AUTOBL + ARANDELA M8 ZINC 0/000.340.9119 (u. 6)
21	<ul style="list-style-type: none"> ALLEN CONICO 8X30 DIN 7991 ZINC 12.9 0/000.460.9153 (u. 6)
22	<ul style="list-style-type: none"> TUERCA RUEDA TRAS.ENDURO 2018 0/000.340.9104 (u. 1)
23	<ul style="list-style-type: none"> CADENA GSX CON ENG. A. 0/001.050.9102 (u. 1) - <i>HOMOLOG</i>
	<ul style="list-style-type: none"> CADENA 520 X-RING CON ENG. ESTUCHADA de 112 PASOS (CON RETENES) 0/001.050.9100 (u. 1) - <i>NO HOMOLOGADA</i>
24	<ul style="list-style-type: none"> ENGANCHE CADENA 520 X-RING 0/001.050.9110 (u. 1)
25	<ul style="list-style-type: none"> TUERCA RADIO TRASERO BE592153013 (u. 36)
26	<ul style="list-style-type: none"> RETEN RUEDA DEL.TT 25x42x7 C160710 (u. 1)
28	<ul style="list-style-type: none"> SENSOR CADENA CIEGO ENDURO 2018 0/000.380.9100 (u. 1)
29	<ul style="list-style-type: none"> SENSOR CADENA PASANTE ENDURO 2018 0/000.380.9101 (u. 1)
30	<ul style="list-style-type: none"> CTO.LLANTA TRASERA RADIADA EC 2018 0/000.120.9100 (u. 1)
31	<ul style="list-style-type: none"> LLANTA TRAS.EXCEL NG.EC-2009 0/000.230.9103 (u. 1)
32	<ul style="list-style-type: none"> ANILLO SEGEER DIA.42 BE25618038 (u. 1)
33	<ul style="list-style-type: none"> ARANDELA SUPLEMENTO RODA.490.80.096 BE250318056 (u. 1)
35	<ul style="list-style-type: none"> KIT COJINETES I RETENES RUEDA TRAS. BE56000CT2510 (u. 1)

Plastic



- | | |
|----|--|
| 1 | <ul style="list-style-type: none"> ● PORTAFARO DEL.EC 2018 BL.
0/000.620.9100 (u. 1) |
| 2 | <ul style="list-style-type: none"> ● PLACA PORTANUMEROS DELANTERA CROSS COUNTRY 2018 BLANCA
0/000.570.9113 (u. 1) |
| 3 | <ul style="list-style-type: none"> ● JUEGO PROT.HORQ. NEGRO MR
0/000.220.9118 (u. 1) |
| 4 | <ul style="list-style-type: none"> ● GUARDAB.DEL.MR NEGRO
0/000.050.9100 (u. 1) |
| 5 | <ul style="list-style-type: none"> ● SOPORTE FARO MR BLANCO INY
0/000.980.9104 (u. 1) |
| 6 | <ul style="list-style-type: none"> ● CTO.GUARDAB.TRAS.EC 2018 BL.
0/000.060.9100 (u. 1) |
| 7 | <ul style="list-style-type: none"> ● GUARDABARROS TRASERO CROSS COUNTRY 2018 BLANCA
0/000.060.9103 (u. 1) |
| 9 | <ul style="list-style-type: none"> ● CTO.PARAMANOS ENDURO BLANCO(QWEST)
0/000.770.9100 (u. 1) |
| 10 | <ul style="list-style-type: none"> ● KIT PLACAS PROTECCION RADIADOR NEGRAS MR
0/K00.570.9102 (u. 1) |
| 11 | <ul style="list-style-type: none"> ● KIT PLACAS LATERALES PORTANUMEROS BLANCAS MR
0/K00.570.9101 (u. 1) |
| 12 | <ul style="list-style-type: none"> ● KIT PLASTICA COMPLETO MR 300 2020
0/K00.570.9103 (u. 1) |

Accesorios



- 10 ● CAMISA HARD OFF ROAD 2021 TALLA XXL
0/000.001.0274 (u. 1)
- CAMISA HARD OFF ROAD 2021 TALLA L
0/000.001.0272 (u. 1)
- CAMISA HARD OFF ROAD 2021 TALLA S
0/000.001.0270 (u. 1)
- CAMISA HARD OFF ROAD 2021 TALLA M
0/000.001.0271 (u. 1) - Camisa HARD OFF ROAD 2021
- CAMISA HARD OFF ROAD 2021 TALLA XL
0/000.001.0273 (u. 1)

- 20 ● PANTALON HARD OFF ROAD 2021 TALLA M
0/000.001.0276 (u. 1)
- PANTALON HARD OFF ROAD 2021 TALLA S
0/000.001.0275 (u. 1)
- PANTALON HARD OFF ROAD 2021 TALLA XXL
0/000.001.0279 (u. 1)
- PANTALON HARD OFF ROAD 2021 TALLA L
0/000.001.0277 (u. 1)
- PANTALON HARD OFF ROAD 2021 TALLA XL
0/000.001.0278 (u. 1)

- 30 ● GUANTES HARD OFF ROAD 2021 TALLA L
0/000.001.0282 (u. 1)
- GUANTES HARD OFF ROAD 2021 TALLA XXL
0/000.001.0284 (u. 1)
- GUANTES HARD OFF ROAD 2021 TALLA XL
0/000.001.0283 (u. 1)
- GUANTES HARD OFF ROAD 2021 TALLA M
0/000.001.0281 (u. 1)
- GUANTES HARD OFF ROAD 2021 TALLA S
0/000.001.0280 (u. 1)

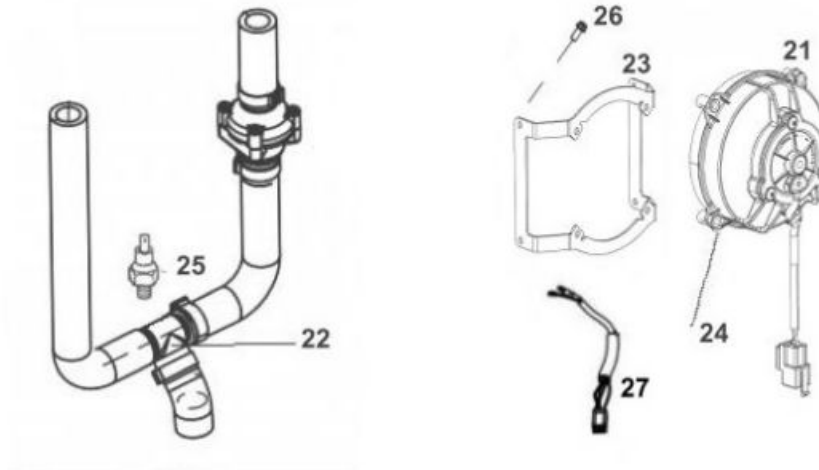
OBSOLETA

40

- KIT EC CONVERTIR EN XC
BE99996CT-CMV-1 (u. 1)

Kit Electroventilador

**28 = 21, 22, 23, 24,
25, 26, 27**



21	<ul style="list-style-type: none"> ELECTROVENTILADOR 0/005.060.9100 (u. 1) 	
22	<ul style="list-style-type: none"> CONECTOR TIPO "T" RADIADOR MR 0/000.290.9119 (u. 1) 	
23	<ul style="list-style-type: none"> SOPORTE ELECTROVENTILADOR MR 0/000.980.9124 (u. 1) 	
24	<ul style="list-style-type: none"> TORNILLO CELO RHS81P 5x12 Torx Z/BLANCO 0/000.460.0090 (u. 4) 	
25	<ul style="list-style-type: none"> SENSOR TEMPERATURA 87° M14x1,5 0/001.010.9102 (u. 1) 	
26	<ul style="list-style-type: none"> REMACHE DIN 7337/A 5x10 0/000.330.0052 (u. 4) 	OBSOLETA
	<ul style="list-style-type: none"> REMACHE DIN 7337/B 4,8x10 L/NEGRO 0/000.330.0053 (u. 4) 	
27	<ul style="list-style-type: none"> INSTALACION ELECTROVENTILADOR MR 0/000.160.9111 (u. 1) 	
28	<ul style="list-style-type: none"> KIT ELECTROVENTILADOR MR + SOPORTE + INSTALACION 0/K05.060.9100 (u. 1) - Para chasis < L00520 necesita 0/000.160.9112 	

CALCA ESCAPE



0/000.390.9133 CALCA ESCAPE MR 202

1

- CALCA ESCAPE MR 2022
0/000.390.9133 (u. 1)

CALCAS LENTICULAR LATERAL

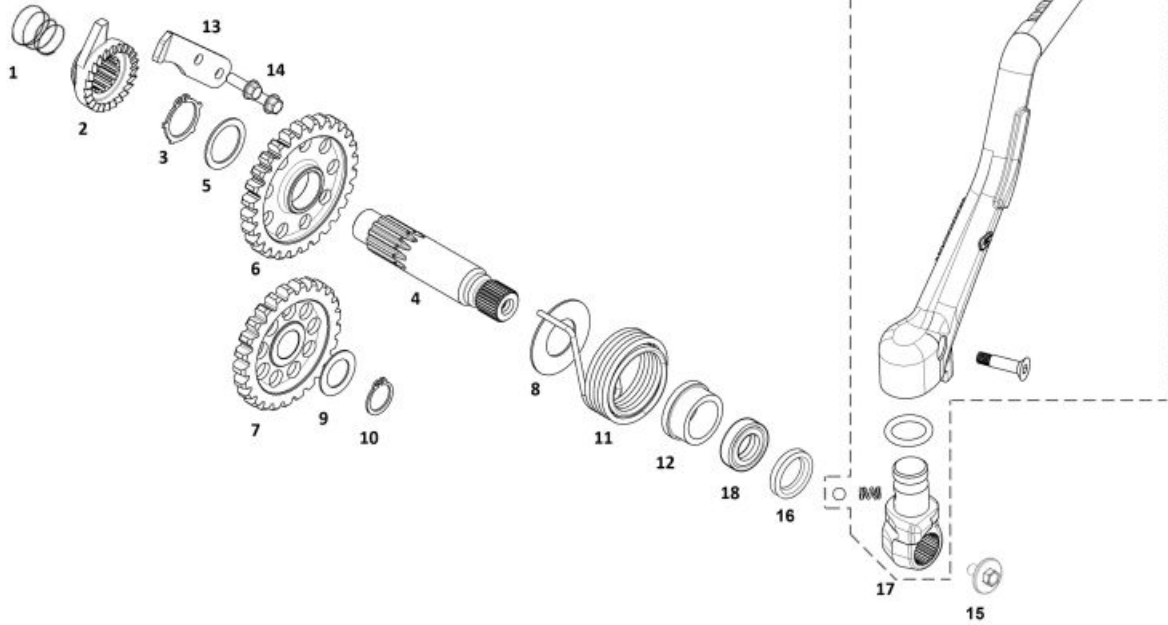


1

- JUEGO CALCAS LENTICULAR LATERAL MR 2022
0/000.390.9134 (u. 1)

ENGINE MR 2022 V1

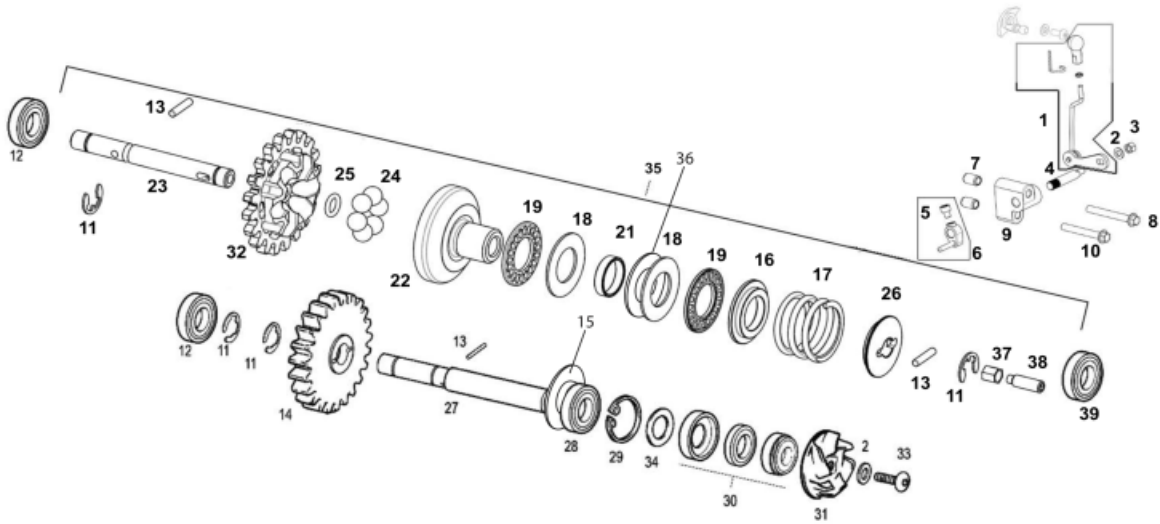
Palanca de arranque



1	<ul style="list-style-type: none"> MUELLE TRINQUETE ARRANQUE 0/000.470.9109 (u. 1)
2	<ul style="list-style-type: none"> TRINQUETE ARRANQUE EC125cc 0/005.400.9110 (u. 1)
3	<ul style="list-style-type: none"> SEEGER D.20 DIN 471 0/000.300.9105 (u. 1)
4	<ul style="list-style-type: none"> EJE ARRANQUE EC-2001 0/005.400.9106 (u. 1)
5	<ul style="list-style-type: none"> ARAN.TOPE 27X20.2X1 DESPL ARRAN. 0/000.440.9109 (u. 1)
6	<ul style="list-style-type: none"> PIÑÓN ARRANQUE EC-2001 0/005.400.9105 (u. 1)
7	<ul style="list-style-type: none"> PIÑÓN INT.ARRANQUE EC-2008 0/005.400.9108 (u. 1)
8	<ul style="list-style-type: none"> ARANDELA ARRANQUE 40x20,15x1 0/000.440.9111 (u. 1)
9	<ul style="list-style-type: none"> VOLANDERA PIÑÓN ARRAN.24X15.15X0.8 0/000.440.9110 (u. 1)
10	<ul style="list-style-type: none"> ANILLO SEGGER DIN 471 DE 15 0/000.300.9101 (u. 1)
11	<ul style="list-style-type: none"> MUELLE ARRANQUE 0/000.470.9110 (u. 1)
12	<ul style="list-style-type: none"> CASQ.CENTRADOR MUELLE ARRANQUE 0/000.480.9125 (u. 1)
13	<ul style="list-style-type: none"> PLATINA TRINQUETE ARRANQUE 0/000.980.9114 (u. 1)
14	<ul style="list-style-type: none"> TORN.ESP.+ARAND.5x15 DIN 6921 GEOMET 10.9 0/000.460.9115 (u. 2)
15	<ul style="list-style-type: none"> TORNILLO ESPECIAL 6X11 GEOMET 10.9 0/000.460.9134 (u. 1)
16	<ul style="list-style-type: none"> CASQ.TOPE PEDAL ARRANQUE EC 2014 0/000.480.9126 (u. 1)

17	<ul style="list-style-type: none">● PALANCA ARRANQUE MR 2021 0/005.430.9103 (u. 1)
18	<ul style="list-style-type: none">● RETEN PEDAL ARRAN.20X30X7 0/000.890.9105 (u. 1)

Bomba de agua

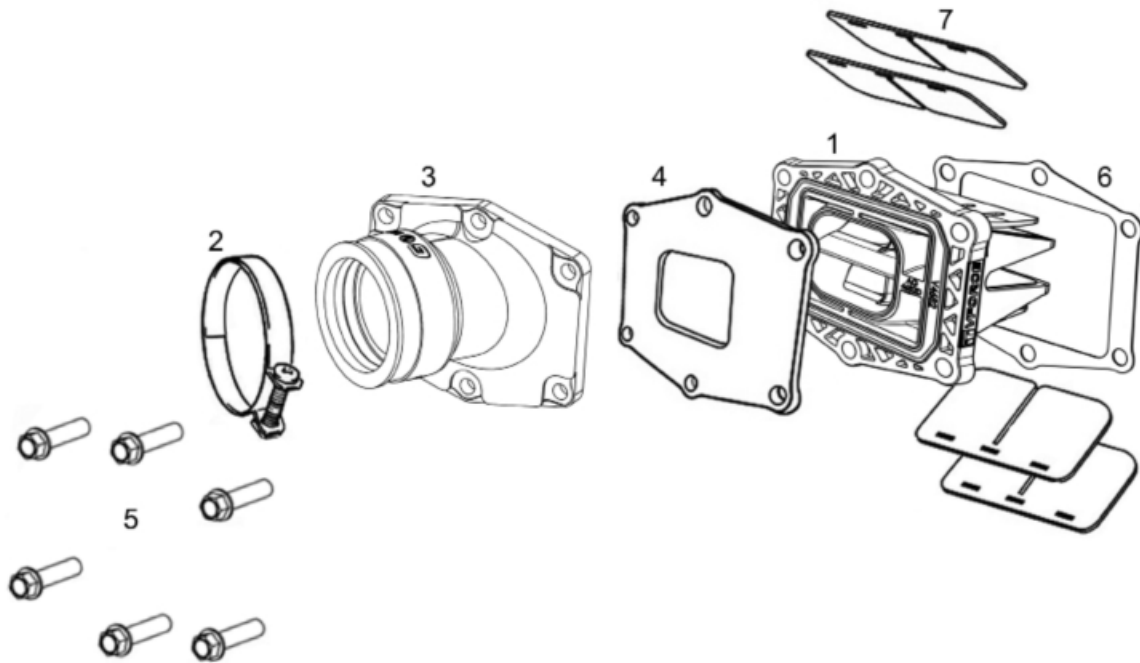


1	<ul style="list-style-type: none"> CTO.VARILLA VALV.ESCAPE COMPLETO EC 2015 0/000.640.9104 (u. 1)
2	<ul style="list-style-type: none"> ARANDELA 5X12X1.5 DIN 125A ZINC 0/000.440.9121 (u. 2)
3	<ul style="list-style-type: none"> TUERCA AUTOBL. M-5 BAJA DIN-985 ZINC 8 0/000.340.9112 (u. 1)
4	<ul style="list-style-type: none"> EJE PALANCA CENTRIFUGO 0/000.190.9108 (u. 1)
6	<ul style="list-style-type: none"> CTO.PALANCA SALIDA CENTRIF. EC 300 2011 0/005.490.9101 (u. 1)
7	<ul style="list-style-type: none"> CASQ.CENTRADOR CARTER 6X9X14 =ME25610018 0/000.480.9119 (u. 2)
8	<ul style="list-style-type: none"> TORN.ESP.6x60 Fil.20 GEOMET 321A + PLUS VL 10.9 0/000.460.9128 (u. 1)
9	<ul style="list-style-type: none"> SOPORTE EJE MANDO VALVULA EC 2015 0/000.980.9115 (u. 1)
10	<ul style="list-style-type: none"> TORN.ESP.6x40 Fil.20 GEOMET 10.9 0/000.460.9125 (u. 1)
11	<ul style="list-style-type: none"> ANILLO SEGGER DIN 6799 DE 7 0/000.300.9103 (u. 4)
12	<ul style="list-style-type: none"> RODA.EJE CENTRI.Y BOMBA 608.Z.C3 0/000.960.9108 (u. 2)
13	<ul style="list-style-type: none"> RODILLO 3X14 .DIN 7 ISO 2338 INOX A1 BOMBA AGUA CENTRIFUGO 0/000.280.9101 (u. 3)
14	<ul style="list-style-type: none"> PIÑON BOMBA AGUA Y CENTRI. 0/005.400.9111 (u. 1)
15	<ul style="list-style-type: none"> ARANDELA DIAM.10 X DIAM.19 X 0,5 0/000.440.9113 (u. 1)
16	<ul style="list-style-type: none"> RETEN RESORTE ME59026GG-CEQ-1 (u. 1) - 250cc / 300cc
17	<ul style="list-style-type: none"> MUELLE CENTRIFUGO VALV.ESC.99 ME25916026 (u. 1) - 250cc / 300cc
18	<ul style="list-style-type: none"> PLACA AGUJA ROD.BOLET Y VAL.ESCAPE AS 15 0/000.440.9107 (u. 2)
19	<ul style="list-style-type: none"> JAUJA AGUJA VALV.ESCAPE AXK 1528 0/000.960.9109 (u. 2)

OBSOLETA

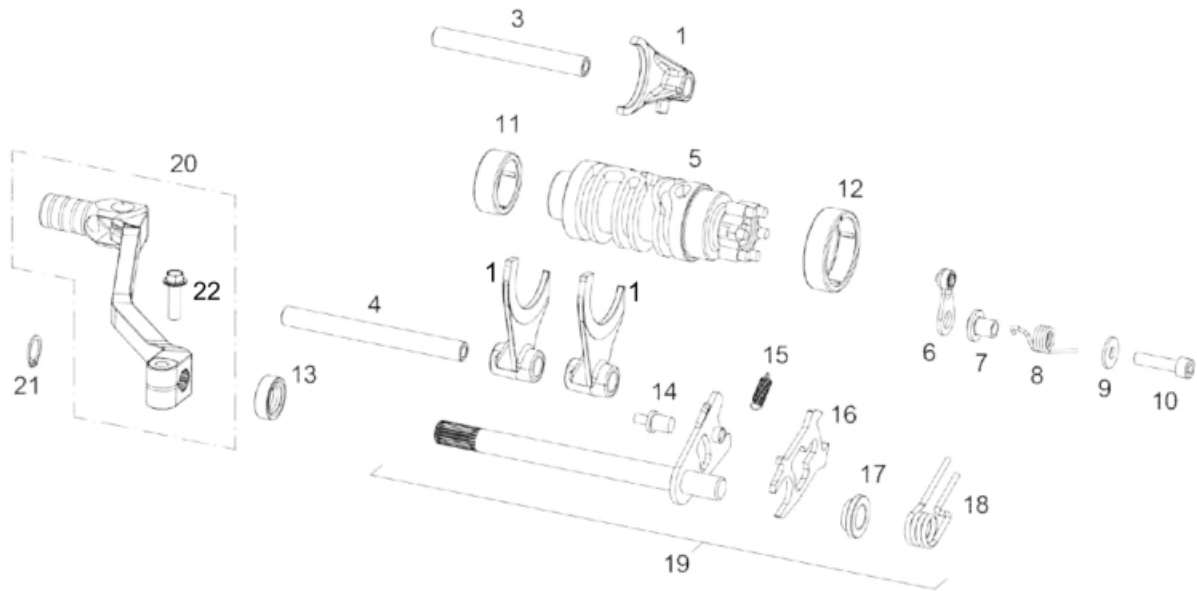
21	<ul style="list-style-type: none"> SEP.COJINETE CENTRIFUGO ME25616008 (u. 1) 	
22	<ul style="list-style-type: none"> CAMPANA CENTRIFUGO EC 2015 ME59030GG-CEQ-1 (u. 1) 	OBSOLETA
23	<ul style="list-style-type: none"> EJE CENTRIFUGO EC 2015 ME59015GG-CEQ-1 (u. 1) 	
24	<ul style="list-style-type: none"> BOLA CENTRIFUGO EMB.DE 8 m/m. ME25616033 (u. 6) 	
25	<ul style="list-style-type: none"> TORICA 6X2 EJE CENTR.VAL.ESCAPE ME25616045 (u. 1) 	
26	<ul style="list-style-type: none"> ARAMDELA APYO MUELLE EC 300 2015 ME59025GG-CEQ-1 (u. 1) - 250cc / 300cc 	OBSOLETA
27	<ul style="list-style-type: none"> EJE PIÑON BOMBA AGUA 0/000.190.9104 (u. 1) 	
28	<ul style="list-style-type: none"> RODAM.BOMBA AGUA 6000C3Z =M03313001 0/000.960.9107 (u. 1) 	
29	<ul style="list-style-type: none"> SEEGER D.26 DIN 472-I26 0/000.300.9106 (u. 1) 	
30	<ul style="list-style-type: none"> RETEN BOMBA AGUA (ESTOPADA) 1510 CA/CE 1 0/000.890.9104 (u. 1) 	
31	<ul style="list-style-type: none"> TURBINA BOMBA AGUA 2014 0/005.220.9100 (u. 1) 	
32	<ul style="list-style-type: none"> PIÑON CENTRIFUGO EC 300 2015 ME59050GG-CEQ-1 (u. 1) 	
34	<ul style="list-style-type: none"> ARANDELA 25.8x17.5x0.5 BOMBA AGUA 0/000.440.9103 (u. 1) 	
35	<ul style="list-style-type: none"> CENTRIFUGO COMPLETO EC 300 2015 0/000.640.9101 (u. 1) 	
	<ul style="list-style-type: none"> CENTRIFUGO COMPLETO EC 200 2019 0/000.640.9102 (u. 1) 	
39	<ul style="list-style-type: none"> RODAMIENTO BOL. 619/8-ZZ 0/000.960.9105 (u. 1) 	

Válvula de láminas



- | | |
|---|---|
| 1 | <ul style="list-style-type: none"> CAJA LAMINAS V-FORCE 4 0/005.600.9100 (u. 1) |
| 2 | <ul style="list-style-type: none"> ABRAZ.S56/9 W1 ZINC 0/000.680.9109 (u. 1) |
| 3 | <ul style="list-style-type: none"> TUBERA ADMISION ENDURO 2018 0/000.290.9116 (u. 1) |
| 4 | <ul style="list-style-type: none"> JUNTA CAJA LAMINAS TUBERA ENDURO 2018 0/000.490.9114 (u. 1) |
| 5 | <ul style="list-style-type: none"> TORN.ESP.6X25 DIN 6921 GEOMET 10.9 VALONA 11MM 0/000.460.9121 (u. 6) |
| 6 | <ul style="list-style-type: none"> JUNTA CAJA LAMINAS- CARTER V-FORCE 4 0/000.490.9120 (u. 1) |
| 7 | <ul style="list-style-type: none"> JUEGO LAMINAS ADMISION ME27000GG-CAB-1 (u. 2) |

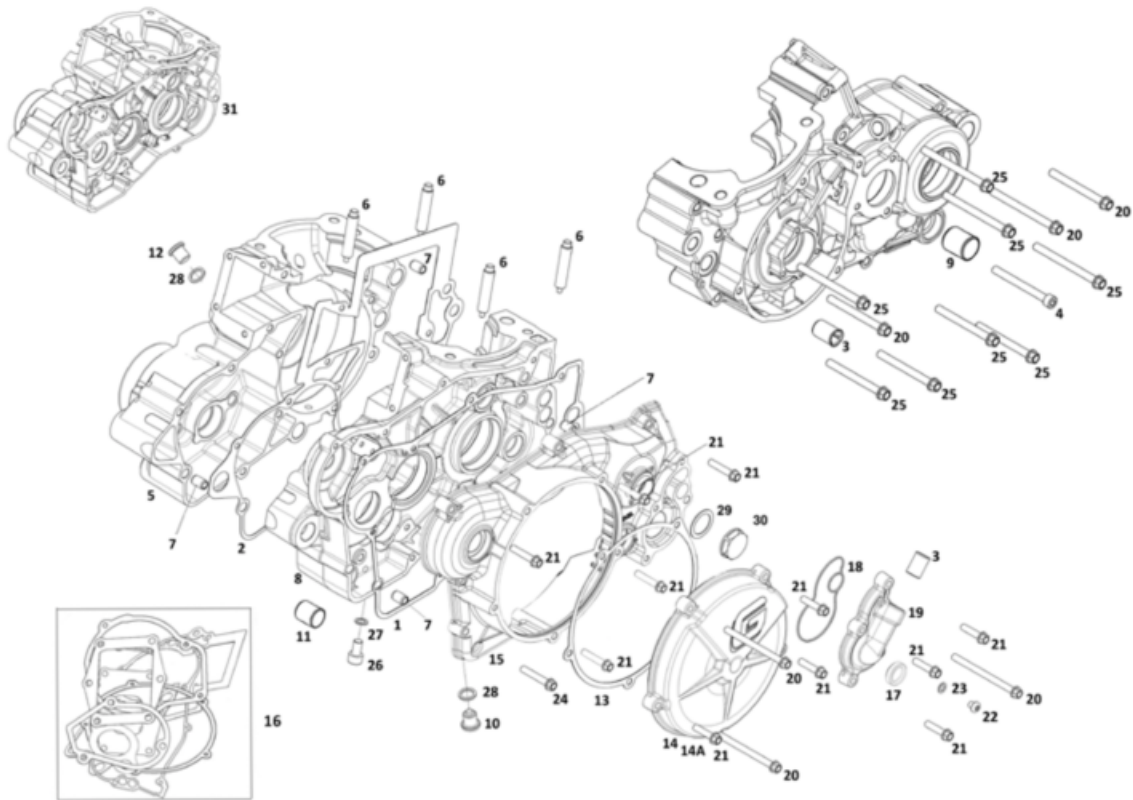
Eje de Cambio



1	<ul style="list-style-type: none"> KIT HORQUILLAS PRIMARIO Y SECUNDARIO ENDURO 2018 ME47000CT-CLJ-1 (u. 1)
3	<ul style="list-style-type: none"> EJE HORQ.CORTO 0/000.190.9107 (u. 1)
4	<ul style="list-style-type: none"> EJE HORQ.LARGO 0/000.190.9106 (u. 1)
5	<ul style="list-style-type: none"> DESMODROMICO EC-2005 0/005.090.9100 (u. 1)
6	<ul style="list-style-type: none"> FIJADOR MARCHAS EC COMP. 0/005.560.9100 (u. 1)
7	<ul style="list-style-type: none"> CASQU.PLATINA FIJ.MARCHAS 0/000.480.9122 (u. 1)
8	<ul style="list-style-type: none"> MUELLE FIJADOR MARCHAS EC-2000 0/000.470.9108 (u. 1)
9	<ul style="list-style-type: none"> ARANDELA PLANA 6.5X16X1.5 DIN 125 ZINC 0/000.440.9125 (u. 1)
10	<ul style="list-style-type: none"> TORN.ESP.6X25 DIN 6921 GEOMET 10.9 VALONA 11MM 0/000.460.9121 (u. 1)
11	<ul style="list-style-type: none"> RODAM.DESMODROMICO HK2512 =M03645000 0/000.960.9111 (u. 1)
12	<ul style="list-style-type: none"> ROD.DESMO.HK3512=M03650000 0/000.960.9110 (u. 1)
13	<ul style="list-style-type: none"> RETEN SELEC.12-22-7 AS-CC =M03821000 0/000.890.9107 (u. 1)
14	<ul style="list-style-type: none"> TORN.CENTR.MUELLE SELEC. 0/000.460.9110 (u. 2)
15	<ul style="list-style-type: none"> MUELLE ESCORPION 250.TT. ME25636039 (u. 1)
16	<ul style="list-style-type: none"> ESCORPION EC250-2002 ME250236036 (u. 1)
17	<ul style="list-style-type: none"> DOLLA CENTRADOR ESCORPION EC250-2002 ME250236041 (u. 1)
18	<ul style="list-style-type: none"> MUELLE SELEC. ME25636035 (u. 1)
19	<ul style="list-style-type: none"> EJE SELEC.COMP.EC250 0/005.010.9100 (u. 1)

20	<ul style="list-style-type: none">● CTO.PEDAL CAMBIO RF 2014 0/005.430.9100 (u. 1)
21	<ul style="list-style-type: none">● ANILLO SEGGER DIN 471 DE 12 0/000.300.9104 (u. 1)
22	<ul style="list-style-type: none">● TORN.ESP.6x20 DIN 6921 GEOMET 10.9 0/000.460.9120 (u. 1)

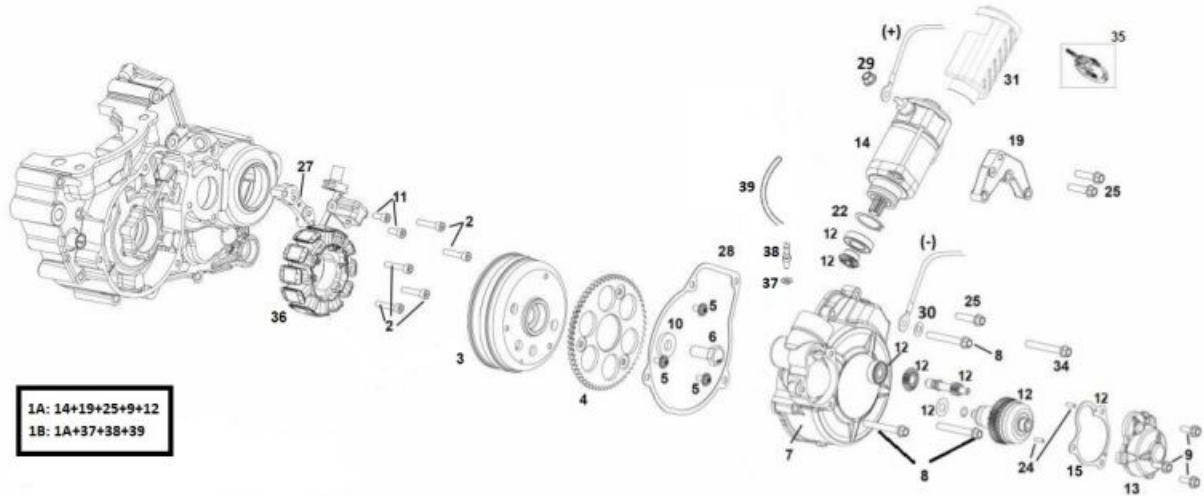
Cárter de Motor



- | | |
|----|--|
| 1 | <ul style="list-style-type: none"> JUNTA TAPA EMBR FOAMET 0.6mm
0/000.490.9108 (u. 1) |
| 2 | <ul style="list-style-type: none"> JUNTA CARTER 2018
0/000.490.9118 (u. 1) |
| 3 | <ul style="list-style-type: none"> RACORD ENTRADA AGUA
0/000.480.9123 (u. 2) |
| 4 | <ul style="list-style-type: none"> ALLEN 6X60 DIN 912 ZINC 12.9
0/000.460.9150 (u. 1) |
| 5 | <ul style="list-style-type: none"> CARTER DERECHO EC 200 2018
0/005.700.9101 (u. 1) CARTER DERECHO EC 250 300 2018
0/005.700.9100 (u. 1) |
| 6 | <ul style="list-style-type: none"> ESPARRAGO CIL.
0/000.280.9100 (u. 4) |
| 7 | <ul style="list-style-type: none"> CASQ.CENTRADOR CARTER 6X9X14 =ME25610018
0/000.480.9119 (u. 4) |
| 8 | <ul style="list-style-type: none"> CARTER IZQUIERDO EC 200 2018
0/005.700.9103 (u. 1) CARTER IZQUIERDO EC 250 300 2018
0/005.700.9102 (u. 1) |
| 9 | <ul style="list-style-type: none"> GLACIER PEDAL FRENO 1215PD10
0/000.480.9117 (u. 1) |
| 10 | <ul style="list-style-type: none"> TAPON VACIADO ACEITE HEXAGONAL-COLOR
0/000.410.9104 (u. 1) |
| 11 | <ul style="list-style-type: none"> GLACIER PEDAL DAP 1212PD
0/000.480.9105 (u. 1) |
| 12 | <ul style="list-style-type: none"> TAPON LLENDO ACEITE HEXAGONAL-COLOR TITANIO
0/000.410.9103 (u. 1) |
| 13 | <ul style="list-style-type: none"> JUNTA TAPA DISCOS 2014
0/000.490.9104 (u. 1) |

14	<ul style="list-style-type: none"> TAPA DISCOS EMBRAGUE GRIS 0/000.350.9105 (u. 1)
15	<ul style="list-style-type: none"> TAPA EMBRAGUE GRIS RAL (9006) 0/000.350.9107 (u. 1)
16	<ul style="list-style-type: none"> KIT JUNTAS MOTOR ENDURO 2018 ME94610CT-CLJ-1 (u. 1)
17	<ul style="list-style-type: none"> VISOR NIVEL ACEITE EC400-4T 0/000.410.9106 (u. 1)
18	<ul style="list-style-type: none"> JUNTA TAPA BOMBA AGUA 2014 0/000.490.9115 (u. 1)
19	<ul style="list-style-type: none"> TAPA BOMBA AGUA 0/000.220.9124 (u. 1)
20	<ul style="list-style-type: none"> TORN.ESP.6X75 10.9 DRACOMET 0/000.460.9129 (u. 6)
21	<ul style="list-style-type: none"> TORN.ESP.6X25 DIN 6921 GEOMET 10.9 VALONA 11MM 0/000.460.9121 (u. 11)
22	<ul style="list-style-type: none"> TORN.ESP.6X10+ARANDELA GEOMET 10.9 0/000.460.9133 (u. 1)
23	<ul style="list-style-type: none"> ARANDELA COBRE 6X10X1.5 TORN.VAC.AGUA CI 0/000.440.9122 (u. 1)
24	<ul style="list-style-type: none"> TORN.ESP.M6X35 DIN 6921 GEOMET 0/000.460.9124 (u. 1)
25	<ul style="list-style-type: none"> TORN.ESP.6x60 Fil.20 GEOMET 321A + PLUS VL 10.9 0/000.460.9128 (u. 8)
27	<ul style="list-style-type: none"> ARANDELA COBRE 8X12X1,5 DIN 125 A ISO 7089 0/000.440.9128 (u. 1)
28	<ul style="list-style-type: none"> ARANDELA TIPO BUJIA 12X18X2 0/000.440.9114 (u. 2)
29	<ul style="list-style-type: none"> Tórica 20 x 1.5 NBR 70 0/000.490.9116 (u. 1)
30	<ul style="list-style-type: none"> TAPON REGLAJE CENTRIFUGO 0/000.410.9105 (u. 1)
31	<ul style="list-style-type: none"> CTO.CARTERS ENDURO 300 2018 ME10000CT-CLJ-1 (u. 1) - 250cc / 300cc
32	<ul style="list-style-type: none"> CASQ.CENTRADOR CARTER 6X9X14 =ME25610018 0/000.480.9119 (u. 2)

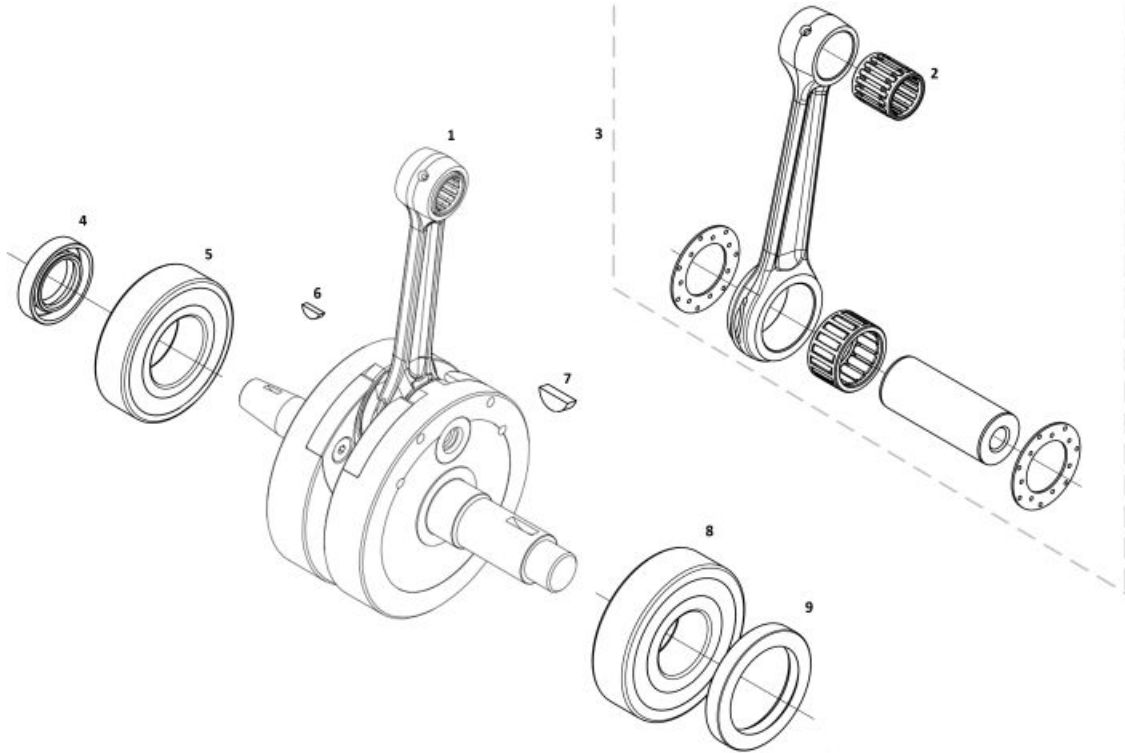
Generador



1A	<ul style="list-style-type: none"> KIT ARRANQUE ELECTRICO MR 2022 0/005.480.9102 (u. 1)
1B	<ul style="list-style-type: none"> KIT ARRANQUE ELECTRICO MR 2022 + DESVAPORIZADOR 0/K05.480.9102 (u. 1)
2	<ul style="list-style-type: none"> ALLEN 5X25 DIN 912 DRACOMET 8.8 0/000.460.9146 (u. 5)
3	<ul style="list-style-type: none"> KIT VOLANTE MAGNETICO MR 2022 0/005.820.9104 (u. 1)
4	<ul style="list-style-type: none"> CORONA ARRANQUE ELECTRICO EC 2015 0/005.400.9102 (u. 1)
5	<ul style="list-style-type: none"> TORX CABEZA ABOM.ARANDELA 5X8 ISO 7380-2 10.9 0/000.460.9154 (u. 3)
6	<ul style="list-style-type: none"> EXAG.10X25 VOL.MAG.N.2018 GEOMET 0/000.460.9112 (u. 1)
7	<ul style="list-style-type: none"> TAPA ENCENDIDO EC 2015 ME60100GG-CBR-3 (u. 1)
8	<ul style="list-style-type: none"> TORN.ESP.6x40 Fil.20 GEOMET 10.9 0/000.460.9125 (u. 1)
9	<ul style="list-style-type: none"> TORN.ESP.+ARAND.5x15 DIN 6921 GEOMET 10.9 0/000.460.9115 (u. 3)
11	<ul style="list-style-type: none"> ALLEN 5X10 DIN 912 ZINC 12.9 0/000.460.9145 (u. 2)
12	<ul style="list-style-type: none"> BENDIX COMPLETO MR MEJORADO 0/005.400.9115 (u. 1)
13	<ul style="list-style-type: none"> TAPA BENDIX EC 2015 EE80130GG-CBR-2 (u. 1)
14	<ul style="list-style-type: none"> MOTOR ARRAN.ELEC.EC 2015 PHI50mm 0/005.480.9100 (u. 1)
15	<ul style="list-style-type: none"> JUNTA TAPA BENDIX EC 2015 FOAMET 0,6 EE80135GG-CBR-1 (u. 1)
19	<ul style="list-style-type: none"> SOPORTE MOTOR ARRANQUE ELECTRICO EC 2015 0/000.980.9111 (u. 1)
22	<ul style="list-style-type: none"> SEEGER DIN-472-DIAM 28X1.2 EE80055GG-CBR-1 (u. 1)
24	<ul style="list-style-type: none"> AGUJA DIN5402-3 TIPO BF DIAM-3X9.8 PLANA EE80140GG-CBR-1 (u. 2)

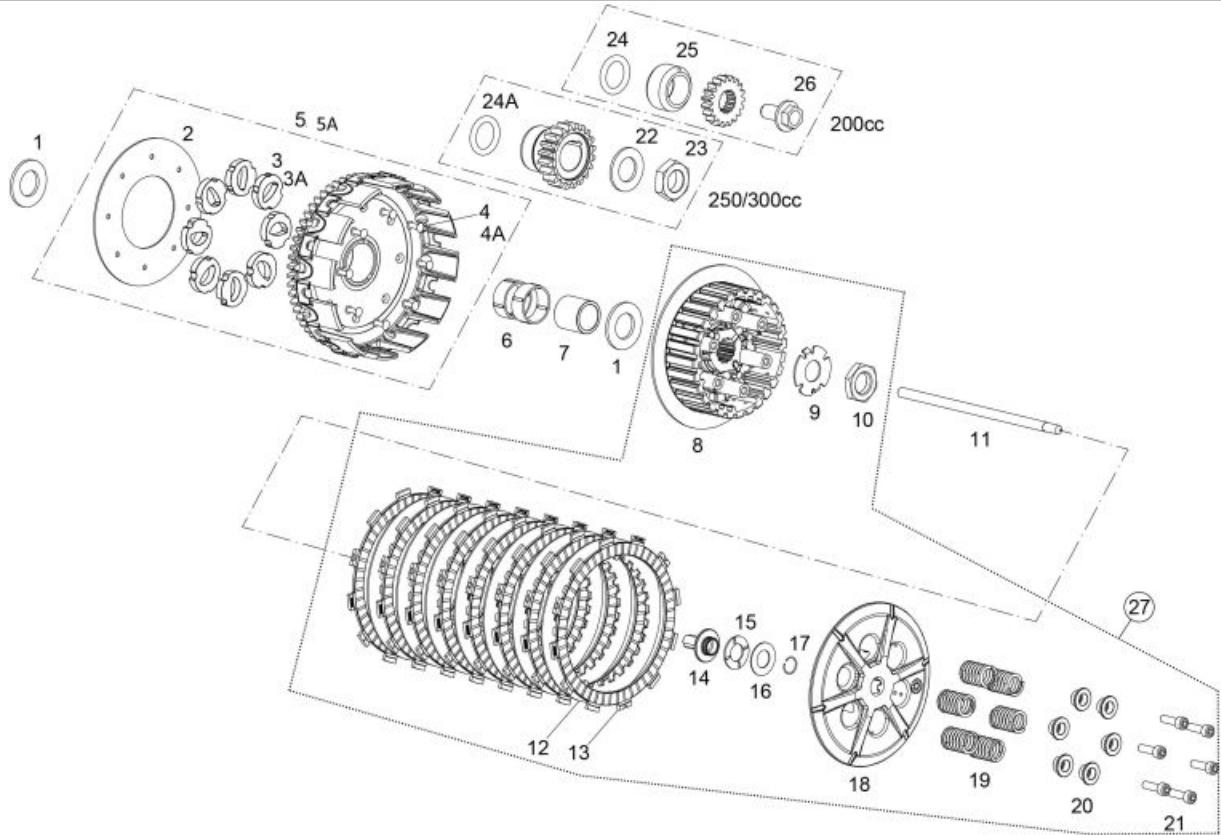
25	<ul style="list-style-type: none"> TORN.ESP.6X25 DIN 6921 GEOMET 10.9 VALONA 11MM 0/000.460.9121 (u. 3)
27	<ul style="list-style-type: none"> ADAPTADOR PULSADOR HIDRIA EC 2014 V2 0/000.980.9109 (u. 1)
28	<ul style="list-style-type: none"> JUNTA TAPA VOLANTE 0/000.490.9119 (u. 1)
29	<ul style="list-style-type: none"> TUERCA+ARAN.M-6 ESTR. DIN 6923 ZINC 8 0/000.340.9116 (u. 1)
30	<ul style="list-style-type: none"> ARANDELA PLANA 6X12X1.5 DIN 125 ZINC 0/000.440.9124 (u. 1)
31	<ul style="list-style-type: none"> TAPA ARRANQUE ELECTRICO ENDURO 2018 0/000.220.9119 (u. 1)
32	<ul style="list-style-type: none"> ALLEN 6x45 DIN 912 ZINC 12.9 0/000.460.9149 (u. 1)
33	<ul style="list-style-type: none"> ALLEN 6x40 DIN 912 ZINC 12.9 0/000.460.9148 (u. 1)
34	<ul style="list-style-type: none"> TORN.ESP.6x50 Fil.20 DIN 6921 GEOMET 10.9 0/000.460.9126 (u. 1)
35	<ul style="list-style-type: none"> ESCOBILLAS MOTOR ARRANQUE EC EE80010GG-CBR-1 (u. 1)
37	<ul style="list-style-type: none"> ARANDELA FIBRA 6x10x1,5 0/000.440.9123 (u. 1)
38	<ul style="list-style-type: none"> DESVAP.CARTER D.3=ME25610012 0/000.630.9105 (u. 1)
39	<ul style="list-style-type: none"> TUBO COPOLAN-NBR-NVC Ø5 x Ø9 x 450 0/000.290.9126 (u. 1)

Cigüeñal



1	<ul style="list-style-type: none"> CTO.CIGUEÑAL ENDURO 2018 0/005.380.9100 (u. 1) CIGUEÑAL EC200-2014 0/005.380.9102 (u. 1) - MOTOR 200cc 	
2	<ul style="list-style-type: none"> ROD.RV.18X22X21,8 S PIE DE BIELA ME25616035 (u. 1) 	
3	<ul style="list-style-type: none"> MATERIA PRIMA BIELETA ENDURO 2018 0/000.980.9102 (u. 1) 	OBSOLETA
4	<ul style="list-style-type: none"> RETEN LADO IZ.CIG.TCJ 20x35x6/6.5 0/000.890.9103 (u. 1) 	
5	<ul style="list-style-type: none"> COJINETE CIGUEÑAL IZQUIERDO 6206- TN9/C4 (ABIERTO) 0/000.960.9115 (u. 1) 	
6	<ul style="list-style-type: none"> CHAVETA 3x3.7 D.10 DIN 6888 0/005.490.9102 (u. 1) 	
7	<ul style="list-style-type: none"> CHAVETA LADO EMBR.(DIAM 16X5X6.5) DIN 6888 0/005.490.9100 (u. 1) 	
8	<ul style="list-style-type: none"> COJINETE CIGUEÑAL DERECHO 63/28-HN3/C3 GXN (ABIERTO) 0/000.960.9116 (u. 1) 	
9	<ul style="list-style-type: none"> RETEN DCH.O.CIGUEÑAL TB2J 38-52 7 0/000.890.9102 (u. 1) 	
10	<ul style="list-style-type: none"> CASQ.CIGUEÑAL 25X38X20 0/000.480.9127 (u. 1) 	

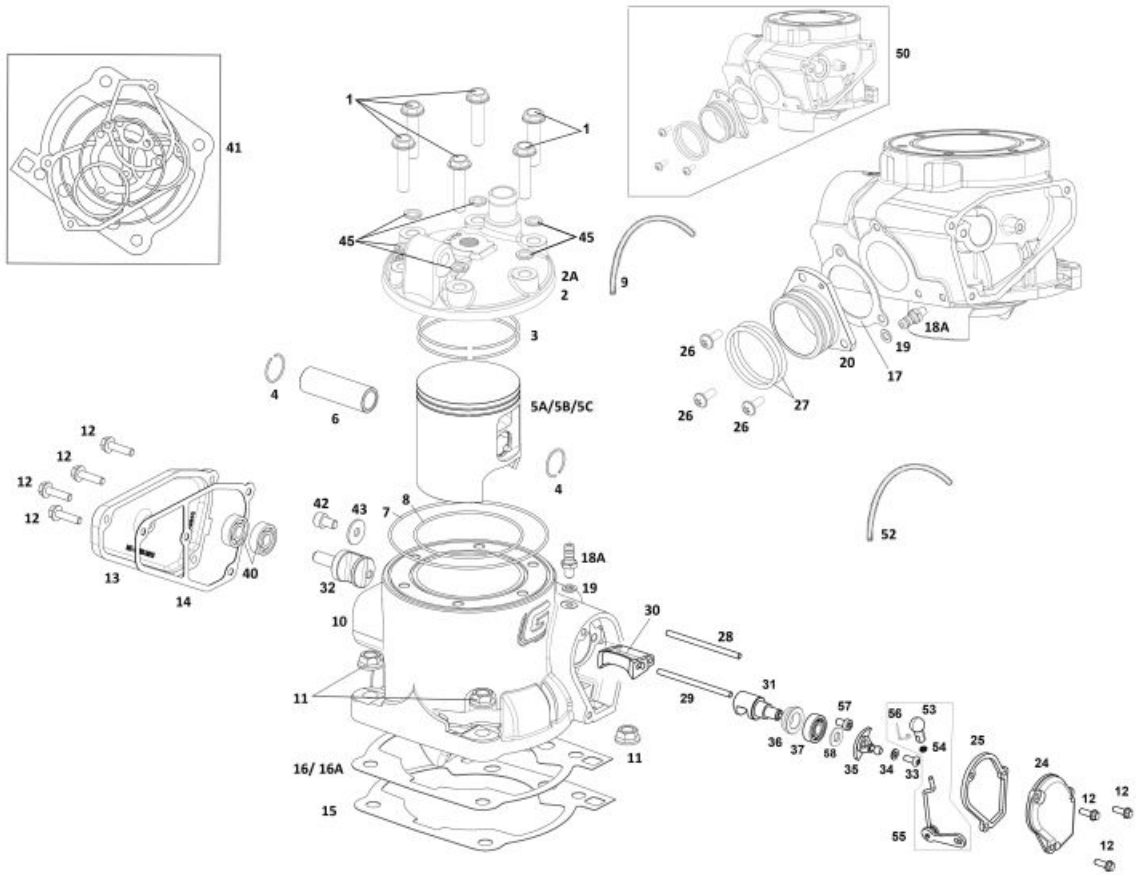
Embrague



1	<ul style="list-style-type: none"> ARAN.CAMPANA EMBRAG.22.1X42X2.8 0/000.440.9106 (u. 2)
2	<ul style="list-style-type: none"> ARANDELA CORONA EMBR. ME20932009 (u. 1)
3	<ul style="list-style-type: none"> GOMA SILENBLOC C4015/115 EMBR.3376 ME20932008 (u. 8)
4	<ul style="list-style-type: none"> REMACHE CAMPANA EMBR. ME250132010 (u. 8)
5	<ul style="list-style-type: none"> CTO.CORONA EMBR.ENDURO 200 0/005.400.9103 (u. 1) CTO.CORONA-PIÑON EMBR.ENDURO 250-300 2014 0/005.400.9104 (u. 1)
6	<ul style="list-style-type: none"> COJI.CAMP.EMB.K28X33X13FV-M1 M3 0/000.980.9113 (u. 2)
7	<ul style="list-style-type: none"> CASQ.CAMPANA EMBR. 0/000.480.9121 (u. 1)
8	<ul style="list-style-type: none"> CUBO EMBRAGUE ENDURO 2018 ME22005GG-CLJ-1 (u. 1)
9	<ul style="list-style-type: none"> ARANDELA PRECINTO CORONA EMBRAGUE ENDURO 2018 0/000.440.9104 (u. 1)
10	<ul style="list-style-type: none"> TUERCA FIJ.CUBO EMB. 0/000.340.9107 (u. 1)
11	<ul style="list-style-type: none"> VARILLA EMBR. 0/000.190.9105 (u. 1)
12	<ul style="list-style-type: none"> DISCOS EMBRAGUE HIERRO ME22105GG-CLJ-1 (u. 7)
13	<ul style="list-style-type: none"> DISCOS EMBRAGUE FORRADO ME22100GG-CLJ-1 (u. 8) DISCOS EMB.FORRADO 7138 ME25632007 (u. 8)

14	<ul style="list-style-type: none"> CASQ.PREMSA EMBR.EC 2014 (CLUTCH PIN) 0/000.480.9120 (u. 1)
15	<ul style="list-style-type: none"> JAUJA AGUJA VALV.ESCAPE AXK 1528 0/000.960.9109 (u. 1)
16	<ul style="list-style-type: none"> PLACA AGUJA ROD. BOLET Y VAL.ESCAPE AS 15 0/000.440.9107 (u. 1)
17	<ul style="list-style-type: none"> ANILLO PREMSA EMBR. DIN7993 Ø14X1 0/000.300.9102 (u. 1)
18	<ul style="list-style-type: none"> PREMSA PLATO ENDURO 2018 ME23000GG-CLJ-1 (u. 1)
19	<ul style="list-style-type: none"> MUELLE EMBRAGUE EC-2018 ME22025GG-CLJ-1 (u. 6)
20	<ul style="list-style-type: none"> CASQ.MUELLE EMBR. EC-2018 ME22020GG-CLJ-1 (u. 6)
21	<ul style="list-style-type: none"> ALLEN 6X25 TA.EMB,CART,SUSP.12.9 T0306025 (u. 6)
22	<ul style="list-style-type: none"> ARANDELA DIN 125 PULIDA D-20 ZINC 40-42HRC 0/000.440.9108 (u. 1)
23	<ul style="list-style-type: none"> TUERCA BLOCAJE PIÑON CIGUEÑAL EC-2000 0/000.340.9106 (u. 1)
24	<ul style="list-style-type: none"> TORICA PIÑON PRIM.EMBR.(Ø23*5 NBR) 0/000.490.9106 (u. 1)
25	<ul style="list-style-type: none"> CASQ.CIGUEÑAL 25X38X20 0/000.480.9127 (u. 1)
26	<ul style="list-style-type: none"> TORN.ESP.12X25X1.25 FIL.20 12.9 GEOMET 0/000.460.9114 (u. 1)
27	<ul style="list-style-type: none"> CTO.CUBO EMBR.ENDURO 2018 0/005.350.9100 (u. 1)

Cilindro

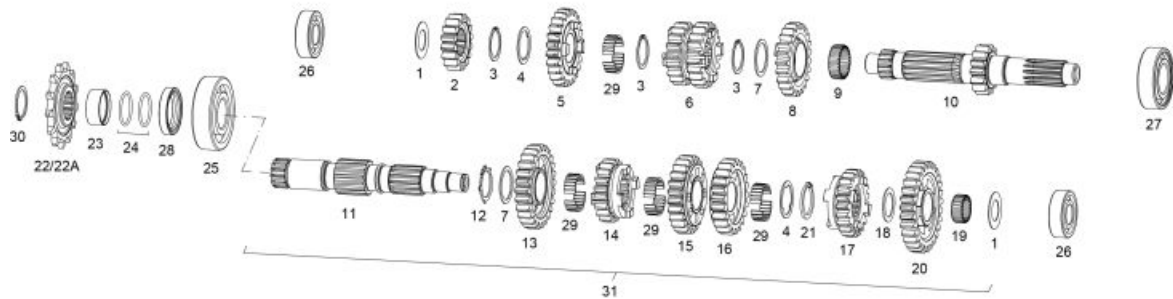


1	<ul style="list-style-type: none"> TORN.EXAG.+ARAND 8X35 GEOMET 321A + PLUS VL 10.9 0/000.460.9130 (u. 6)
2	<ul style="list-style-type: none"> CULATA EC/XC 300 0/005.770.9100 (u. 1) CULATA ENDURO 250 2018 0/005.770.9101 (u. 1) CULATA ENDURO 200 MY2018 0/005.770.9102 (u. 1)
3	<ul style="list-style-type: none"> JUEGO AROS PISTON TT 250 ME25616040 (u. 1) - 250cc JUEGO AROS PISTON TT-300 2835CD ME30916040 (u. 1) - 300cc
4	<ul style="list-style-type: none"> JUEGO CLIP BULON TT 250 ME25616126 (u. 2)
5C	<ul style="list-style-type: none"> PISTON 66.36 250 ENDURO C ME25616122R (u. 1) - 250cc PISTON 300CC C ME30916122R (u. 1) - 300cc
5B	<ul style="list-style-type: none"> PISTON 250 ENDURO B ME25616121R (u. 1) - 250cc PISTON TT 300 71.95 B ME300416121 (u. 1) - 300cc
5A	<ul style="list-style-type: none"> PISTON TT 250 66.33 NOIR ME25616020R (u. 1) - 250cc PISTON TT 300 EC-2004 ME300416020 (u. 1) - 300cc
6	<ul style="list-style-type: none"> BULON PISTON TT 250 ME25616125 (u. 1)

7	<ul style="list-style-type: none"> TORICA CULATA EXT.107.67x1.78 0/000.490.9109 (u. 1)
8	<ul style="list-style-type: none"> TORICA CULATA INT.VITON 72.7x1.78 0/000.490.9110 (u. 1) TORICA CULATA INTER.75.92X1.78 VITON 0/000.490.9111 (u. 1)
9	<ul style="list-style-type: none"> TUBO DESV.CARTER (55 cm.) ME25610022 (u. 1)
9A	<ul style="list-style-type: none"> CTO.TUBO DESVAPORIZADOR BLOW BY ENDURO 2018 0/000.290.9106 (u. 1)
11	<ul style="list-style-type: none"> TUERCA DIN 6923 ZINC 8.8 ESP.10/150 C13 0/000.340.9105 (u. 4)
12	<ul style="list-style-type: none"> TORN.ESP.12X25X1.25 FIL.20 12.9 GEOMET 0/000.460.9114 (u. 1) TORN.ESP.+ARAND.5x15 DIN 6921 GEOMET 10.9 0/000.460.9115 (u. 7)
13	<ul style="list-style-type: none"> TAPA VALV.IZQ.EC 2013 0/000.350.9104 (u. 1)
14	<ul style="list-style-type: none"> JUNTA TAPA VAL. IZDA.EC 2013 0/000.490.9113 (u. 1)
15	<ul style="list-style-type: none"> JUNTA CIL.0.15 ME25644010 (u. 1)
16A	<ul style="list-style-type: none"> JUNTA CIL.0.3 ME25644009 (u. 1)
16	<ul style="list-style-type: none"> JUNTA CILINDRO 0,5 METALICA CON SILICONA ENDURO 2018 0/000.490.9112 (u. 1)
17	<ul style="list-style-type: none"> JUNTA ESCAPE ME25644012 (u. 1)
18A	<ul style="list-style-type: none"> DESVAP.CARTER D.3=ME25610012 0/000.630.9105 (u. 2)
19	<ul style="list-style-type: none"> ARANDELA FIBRA 6x10x1,5 0/000.440.9123 (u. 2)
20	<ul style="list-style-type: none"> TUBERA ESCAPE 2005 ME250516019 (u. 1)
24	<ul style="list-style-type: none"> TAPA VALV.DCH.EC300 2014 0/000.350.9108 (u. 1)
25	<ul style="list-style-type: none"> JUNTA TAPA VALV.DER.4mm 0/000.490.9117 (u. 1)
26	<ul style="list-style-type: none"> ULS TORX 6X14 DIN 7380-1 ZINCADO 10.9 T0566014 (u. 3)
27	<ul style="list-style-type: none"> TORICA TUBERA ESCAPE 44X3 FP (viton) BE250526006 (u. 2)
28	<ul style="list-style-type: none"> EJE VALV.ESCAP LARGO 93mm. ME25616027 (u. 1)
29	<ul style="list-style-type: none"> EJE VALV.ESCAPE CORTO 83mm. ME25616017 (u. 1)
30	<ul style="list-style-type: none"> VALVULA CENTRAL ENDURO 250 2018 ME72005GG-CLK-1 (u. 1)
31	<ul style="list-style-type: none"> VALVULA DERECHA ENDURO 250 2018 ME72000GG-CLK-1 (u. 1)
32	<ul style="list-style-type: none"> VALVULA IZQUIERDA ENDURO 250 2018 ME72010GG-CLK-1 (u. 1)
33	<ul style="list-style-type: none"> TORNILLO ISO 7380 Allen M5x10 Cal.10.9 Z/BLANCO 0/000.460.2000 (u. 1)
34	<ul style="list-style-type: none"> ARANDELA 5X12X1,5 DIN 125A ZINC 0/000.440.9121 (u. 1)

35	<ul style="list-style-type: none"> CTO.PALANCA VALV.ESCAPE EC 2015 0/000.640.9103 (u. 1)
36	<ul style="list-style-type: none"> DIST.COJINETE VALV.ESCAPE ME25616036 (u. 1)
37	<ul style="list-style-type: none"> RODAM.BOMBA AGUA 6000C3Z =M03313001 0/000.960.9107 (u. 1)
40	<ul style="list-style-type: none"> RODA.EJE CENTRI.Y BOMBA 608.Z.C3 0/000.960.9108 (u. 2)
41	<ul style="list-style-type: none"> KIT JUNTAS DE CIL.CULATA 300C.C. ME94620CT-CAB-1 (u. 1) - 300cc
43	<ul style="list-style-type: none"> ARANDELA 6X18X1.5 DIN 9021 ZINC 0/000.440.9126 (u. 1)
44	<ul style="list-style-type: none"> ARANDELA PLANA 6X12X1.5 DIN 125 ZINC 0/000.440.9124 (u. 1)
45	<ul style="list-style-type: none"> ARANDELA COBRE 8.5x16x1.5 DIN 125 A ISO 7090 0/000.440.9130 (u. 6)
50	<ul style="list-style-type: none"> CTO.CILINDRO ENDURO 200 2019 0/005.190.9102 (u. 1)
	<ul style="list-style-type: none"> CTO.CILINDRO ENDURO 300 2018 0/005.190.9100 (u. 1)
	<ul style="list-style-type: none"> CTO.CILINDRO ENDURO 250 2018 0/005.190.9101 (u. 1)
51	<ul style="list-style-type: none"> ARANDELA COBRE 6X10X1.5 TORN.VAC.AGUA CI 0/000.440.9122 (u. 2)
52	<ul style="list-style-type: none"> TUBO RESPIRADERO VALV.S EC-2009 BE733001209 (u. 1)
52a	<ul style="list-style-type: none"> CTO.TUBO DESVAPORIZADOR BLOW BY ENDURO 2018 0/000.290.9106 (u. 1)
53	<ul style="list-style-type: none"> CTO.VARILLA VALV.ESCAPE COMPLETO EC 2015 0/000.640.9104 (u. 1)
55	<ul style="list-style-type: none"> CTO.VARILLA VALV.ESCAPE COMPLETO EC 2015 0/000.640.9104 (u. 1)
56	<ul style="list-style-type: none"> CLIP DE SEGURIDAD ROTULA 0/000.840.9103 (u. 1)
58	<ul style="list-style-type: none"> CASQUILLO SEPARADOR COJINETE VALV.ESCAPE 0/000.480.9124 (u. 1)

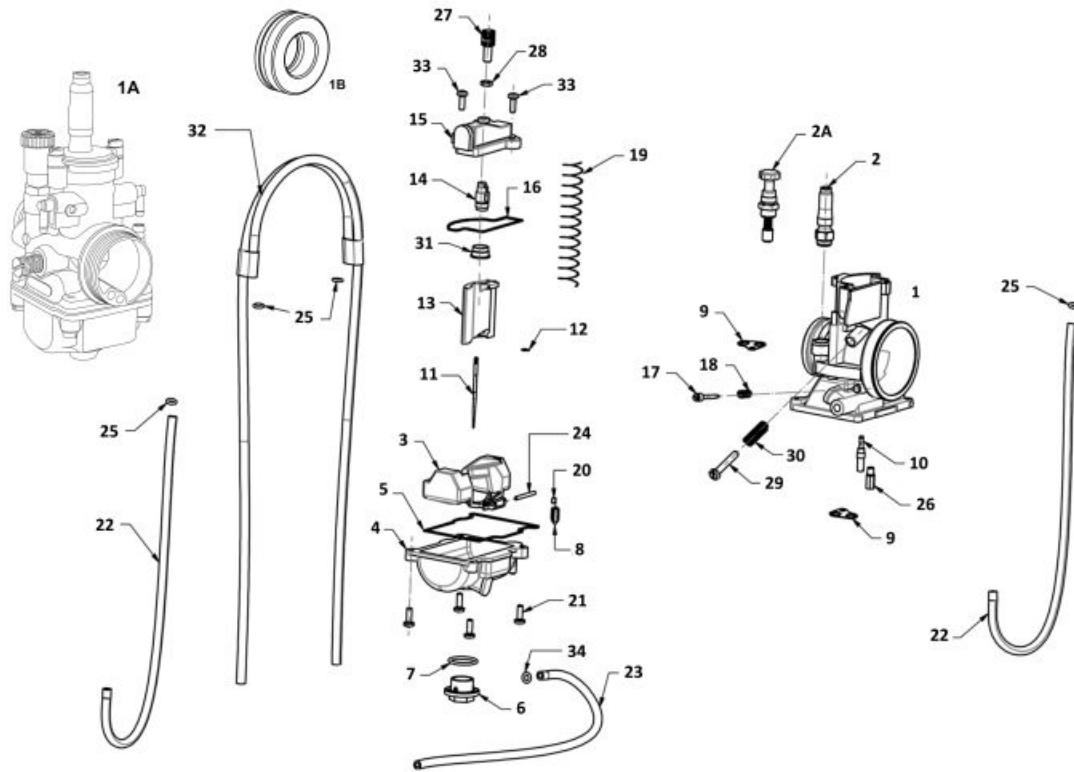
Cambio



1	<ul style="list-style-type: none"> ● ARANDELA 18X31.5X0.7 CAMBIO ME25636014 (u. 2)
2	<ul style="list-style-type: none"> ● PIÑÓN PRIMARIO II Z-16 ME25636071 (u. 1)
3	<ul style="list-style-type: none"> ● ANILLO SEGGER DIN 471 DE 25 0/000.300.9107 (u. 3)
4	<ul style="list-style-type: none"> ● ARANDELA 31.5X(25X22)X1 SEC.3-4 ESTR.CAM ME25636091 (u. 2)
5	<ul style="list-style-type: none"> ● PIÑÓN PRIMARIO VI Z-24 ME25636074 (u. 1)
6	<ul style="list-style-type: none"> ● PIÑÓN PRIMARIO III Y IV ME25636072 (u. 1)
7	<ul style="list-style-type: none"> ● ARANDELA 25.2X31.5X1 CAMBIO ME25636017 (u. 2)
8	<ul style="list-style-type: none"> ● PIÑÓN PRIMARIO V Z-23 ME25636073 (u. 1)
9	<ul style="list-style-type: none"> ● COJINETE AGUJAS K25-29-10 0/000.960.9104 (u. 1)
10	<ul style="list-style-type: none"> ● EJE PRIMARIO EC 250-2002 ME250236070 (u. 1)
11	<ul style="list-style-type: none"> ● EJE SECUNDARIO EC 08 ME410002508 (u. 1)
12	<ul style="list-style-type: none"> ● CIRCLIP D.25 DIN 983 =25049255 ME25636095 (u. 1)
13	<ul style="list-style-type: none"> ● PIÑÓN SECUNDARIO II 7-26 ME42211GG-CSK-1 (u. 1)
14	<ul style="list-style-type: none"> ● PIÑÓN SECUNDARIO VI Z-19 ME42215GG-CSK-1 (u. 1)
15	<ul style="list-style-type: none"> ● PIÑÓN SECUNDARIO III Z-24 ME25636078 (u. 1)
16	<ul style="list-style-type: none"> ● PIÑÓN SECUNDARIO IV Z-22 ME25636079 (u. 1)
17	<ul style="list-style-type: none"> ● PIÑÓN SECUNDARIO V Z-21 ME25636080 (u. 1)
18	<ul style="list-style-type: none"> ● ARANDELA 20.8X29X1 CAMBIO ME25636016 (u. 1)
19	<ul style="list-style-type: none"> ● RODA.AGUJ.K20X24X10 0/000.960.9114 (u. 1)

20	<ul style="list-style-type: none"> PIÑÓN SECUNDARIO I Z-29 ME25636076 (u. 1)
21	<ul style="list-style-type: none"> CIRCLIP D.25 DIN 471 REBAIXAD D.2 SE03025200009 (u. 1)
22	<ul style="list-style-type: none"> PIÑÓN SALIDA TG421X13T 0/005.400.9112 (u. 1)
22A	<ul style="list-style-type: none"> PIÑÓN SALIDA TG421X12T 0/005.400.9113 (u. 1)
23	<ul style="list-style-type: none"> DOLLA RETEN SALIDA CAMBIO 0/000.260.9100 (u. 1)
24	<ul style="list-style-type: none"> TORICA 25 X 2 NBR PIÑ SAL. 0/000.490.9107 (u. 2)
25	<ul style="list-style-type: none"> RODAM.CAMBIO 6305 C3 0/000.960.9113 (u. 1)
26	<ul style="list-style-type: none"> RODAM.CAMBIO 6203C3 0/000.960.9112 (u. 2)
27	<ul style="list-style-type: none"> RODAM.CAMBIO 6205-2RSH/C3 0/000.960.9106 (u. 1)
28	<ul style="list-style-type: none"> RETEN 30X40X7 DOBLE LABIO.PIÑ.SAL. 0/000.890.9106 (u. 1)
29	<ul style="list-style-type: none"> JAULA AGUJAS KD22x25x9.8 GRUPO CAMBIO 0/005.150.9101 (u. 4)
30	<ul style="list-style-type: none"> ANILLO SEGGER DIN 471 DE 25 0/000.300.9107 (u. 1)
31	<ul style="list-style-type: none"> CTO. CAMBIO MARCHAS 0/005.400.9107 (u. 1)

Carburador



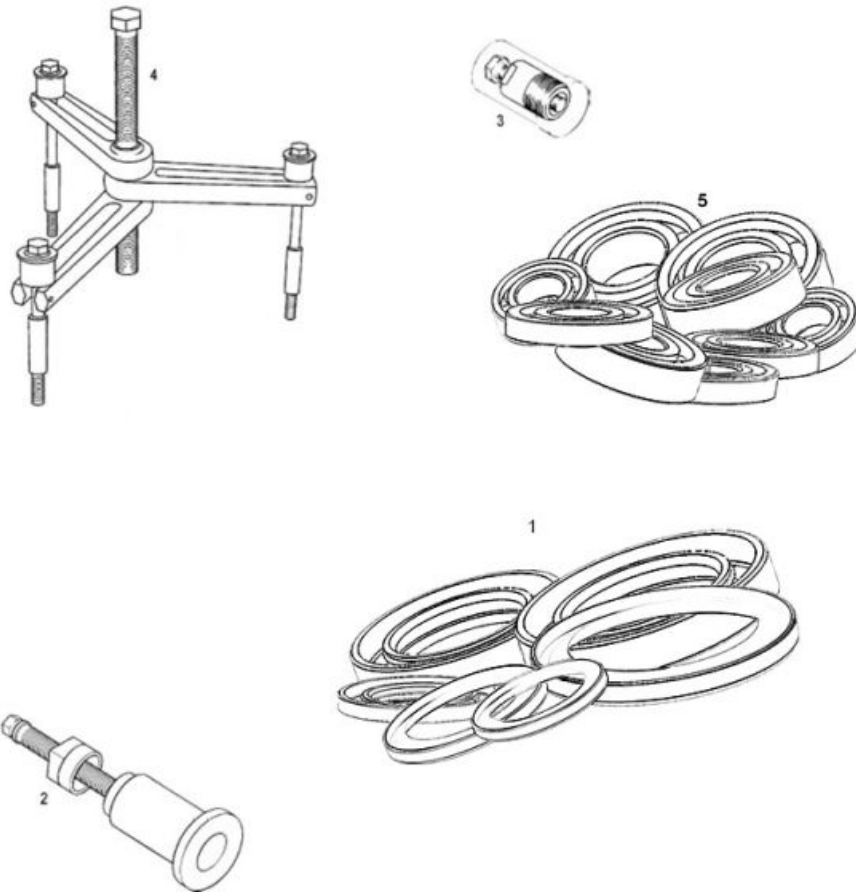
<p>1</p>	<ul style="list-style-type: none"> ● CARBURADOR KEIHIN PWK 38 MANDO STARTER 10FK-A73Z-0000 0/005.155.9100 (u. 1) ● CARBURADOR KEIHIN PWK 38 MANDO STARTER 10FK-A73Z-00A0_ BE78000GG-CSK-1 (u. 1) 	<p>OBSOLETA</p>
<p>1A</p>	<ul style="list-style-type: none"> ● CARBURADOR PHBG 21 DS ENDURO 73/33 CAMPANA 40 0/005.155.9103 (u. 1) 	
<p>1B</p>	<ul style="list-style-type: none"> ● ADAPTADOR CARBURADOR DELL ORTO ENDURO 2018 0/005.150.9102 (u. 1) 	
<p>2A</p>	<ul style="list-style-type: none"> ● MANDO ESTARTER 1166-818-2101 ME25690011 (u. 1) 	
<p>2</p>	<ul style="list-style-type: none"> ● PERILLA AHOGADOR ME25000173012 (u. 1) 	
<p>3</p>	<ul style="list-style-type: none"> ● BOYA FLOTADOR 1052-856-2101 ME25000183012 (u. 1) 	
<p>4</p>	<ul style="list-style-type: none"> ● CUBETA FLOTADOR 1050-898-2102 ME25000193012 (u. 1) 	
<p>5</p>	<ul style="list-style-type: none"> ● JUNTA CUBETA FLOTADOR 1051-KZ40-0001 ME25000203012 (u. 1) 	
<p>6</p>	<ul style="list-style-type: none"> ● TAP.CUBETA 1018-ND4-7511 ME25690015 (u. 1) 	
<p>8</p>	<ul style="list-style-type: none"> ● AGUJA FLOTADOR 1062-814-2103 ME25000213012 (u. 1) 	
<p>10A</p>	<ul style="list-style-type: none"> ● CHICLE RALENTI 45 0/005.991.9103 (u. 1) 	
<p>10A</p>	<ul style="list-style-type: none"> ● CHICLE RALENTI 45 ME25690045 (u. 1) 	
<p>10A</p>	<ul style="list-style-type: none"> ● CHICLE RALENTI 45 0/005.991.9103 (u. 1) 	

10B	<ul style="list-style-type: none"> ● CHICLE RALENTI 42 N424-21042 ME25690042 (u. 1) 	OBSOLETA
	<ul style="list-style-type: none"> ● CHICLE RALENTI 42 N424-21042 0/005.991.9105 (u. 1) 	
11C	<ul style="list-style-type: none"> ● AGUJA NOZH N427-OZH00 ME120690435 (u. 1) 	
11	<ul style="list-style-type: none"> ● AGUJA KEIHIN N1EF 0/005.150.9100 (u. 1) 	
11A	<ul style="list-style-type: none"> ● AGUJA KEIHIN N1EE (N427-1EE00) ME250290427 (u. 1) 	
11B	<ul style="list-style-type: none"> ● AGUJA KEIHIN N1EG (N427-1EG00) ME250290428 (u. 1) 	
12	<ul style="list-style-type: none"> ● CLIP AGUJA 16115-169-0040 ME25690021 (u. 1) 	
13	<ul style="list-style-type: none"> ● COMPUERTA N°7 N502-66F00 0/005.150.9103 (u. 1) 	
14	<ul style="list-style-type: none"> ● FIJADOR AGUJA-CABLE 1101-804-2001 ME25690023 (u. 1) 	
15	<ul style="list-style-type: none"> ● TAP.COMPUERTA 1030-A92A-0000 ME25000243012 (u. 1) 	
16	<ul style="list-style-type: none"> ● JUNTA TORICA TAP.COMPUERTA 1202-882-6000 ME25000253012 (u. 1) 	
17	<ul style="list-style-type: none"> ● TORN.REGUL. ME25000263012 (u. 1) 	
18	<ul style="list-style-type: none"> ● MUELLE TORN.REGUL.AIRE 1300-416H-9900 ME25000273012 (u. 1) 	
19	<ul style="list-style-type: none"> ● MUELLE COMPUERTA 1290-A53-2000 ME25000283012 (u. 1) 	
20	<ul style="list-style-type: none"> ● CLIP NIVEL FLOTADOR 0405-019-1000 ME25690027 (u. 1) 	
21	<ul style="list-style-type: none"> ● TORN.CUBETA 93500-04014-1H ME25000293012 (u. 4) 	
22	<ul style="list-style-type: none"> ● TUBO RESPIRADERO 0803-868-0000 ME25000303012 (u. 2) 	
23	<ul style="list-style-type: none"> ● TUBO RESPIRADERO-2 0803-869-0000 ME25000313012 (u. 1) 	
24	<ul style="list-style-type: none"> ● EJE FLOTADOR W9525-25250 ME25690033 (u. 1) 	
25	<ul style="list-style-type: none"> ● CLIP TUBO RESPIRADERO W9535-35000 ME25690034 (u. 4) 	
26	<ul style="list-style-type: none"> ● CHICLE ALTA 175 (99101-357-1750) ME25690175 (u. 1) 	OBSOLETA
	<ul style="list-style-type: none"> ● CHICLE ALTA 175 (99101-357-1750) 0/005.991.9104 (u. 1) 	
27	<ul style="list-style-type: none"> ● TENSOR CABLE W9581-59250 ME25000323012 (u. 1) 	
28	<ul style="list-style-type: none"> ● TUERCA TENSOR CABLE 1793-130H-9900 ME25000333012 (u. 1) 	
29	<ul style="list-style-type: none"> ● TORN.REGUL.RALENTI 1034-853-2000 ME25690038 (u. 1) 	
30	<ul style="list-style-type: none"> ● MUELLE TORN.REG.1290-963-2000 ME25690039 (u. 1) 	
31	<ul style="list-style-type: none"> ● CASQ.MUELLE COMP.1118-929-7000 ME25690040 (u. 1) 	
32	<ul style="list-style-type: none"> ● TUBO VENTILACIÒN 0803-862-0100 ME25000343012 (u. 1) 	

33	<ul style="list-style-type: none">TORN.TAP.COMPUERTA ME25000353012 (u. 2)
34	<ul style="list-style-type: none">CLIP TUBO RESPIRADERO-2 W9535-25000 ME25000363012 (u. 1)
35	<ul style="list-style-type: none">CTO.TOPE MANDO DE GAS CARBURADOR 2006 ME250690010 (u. 1)

OBSOLETA

Herramientas Motor



1	<ul style="list-style-type: none"> KIT RETENES EC-250/300 2010 ME906002510 (u. 1) 	
2	<ul style="list-style-type: none"> EXTRACTOR COJINETE CIGUEÑAL ME25950000 (u. 1) 	OBSOLETA
3	<ul style="list-style-type: none"> EXTRACTOR VOL.MAG.N.TRIAL 2002 MT280234045 (u. 1) 	
4	<ul style="list-style-type: none"> EXTRACTOR CARTER ME25950005 (u. 1) 	OBSOLETA
5	<ul style="list-style-type: none"> KIT COJINETES MOTOR EC 250 300 2018 ME90500CT-CLJ-1 (u. 1) 	